



US00D720379S

(12) **United States Design Patent**  
**Kim et al.**

(10) **Patent No.:** **US D720,379 S**

(45) **Date of Patent:** **\*\* Dec. 30, 2014**

(54) **CAMERA**

(56) **References Cited**

(71) Applicant: **Samsung Electronics Co., Ltd.**,  
Suwon-Si, Gyeonggi-Do (KR)

U.S. PATENT DOCUMENTS

(72) Inventors: **Joon Ha Kim**, Seoul (KR); **Woohyeok Jeong**, Seoul (KR)

D383,766	S	*	9/1997	Yamauchi et al.	.....	D16/202
D388,803	S	*	1/1998	Shinano	.....	D16/202
D389,500	S	*	1/1998	Krekelberg	.....	D16/202
D463,468	S	*	9/2002	Fujita et al.	.....	D16/202
D486,843	S	*	2/2004	Takahashi	.....	D16/202
D502,199	S	*	2/2005	Imai	.....	D16/202
D506,767	S	*	6/2005	Imai	.....	D16/202
D627,812	S	*	11/2010	Oikawa et al.	.....	D16/202
D663,345	S	*	7/2012	Tanifuji	.....	D16/219
D664,177	S	*	7/2012	Oikawa et al.	.....	D16/202
D682,335	S	*	5/2013	Kim et al.	.....	D16/202
2004/0252226	A1	*	12/2004	Chou	.....	348/375
2007/0071438	A1	*	3/2007	Huang et al.	.....	396/535

(73) Assignee: **Samsung Electronics Co., Ltd.**,  
Gyeonggi-do (KR)

(\*\*) Term: **14 Years**

\* cited by examiner

(21) Appl. No.: **29/456,821**

*Primary Examiner* — Adir Aronovich  
*Assistant Examiner* — Ramzi Almatrahi

(22) Filed: **Jun. 4, 2013**

(74) *Attorney, Agent, or Firm* — Harness, Dickey & Pierce,  
P.L.C.

(30) **Foreign Application Priority Data**

Dec. 24, 2012 (KR) ..... 30-2012-0062025

(57) **CLAIM**

The ornamental design for a camera, as shown and described.

(51) **LOC (10) Cl.** ..... **16-01**

**DESCRIPTION**

(52) **U.S. Cl.**

USPC ..... **D16/202**

FIG. 1 is a front, right and top perspective view of a camera showing our new design;  
FIG. 2 is a front elevational view thereof;  
FIG. 3 is a rear elevational view thereof;  
FIG. 4 is a left-side elevational view thereof;  
FIG. 5 is a right-side elevational view thereof;  
FIG. 6 is a top plan view thereof; and,  
FIG. 7 is a bottom plan view thereof.

(58) **Field of Classification Search**

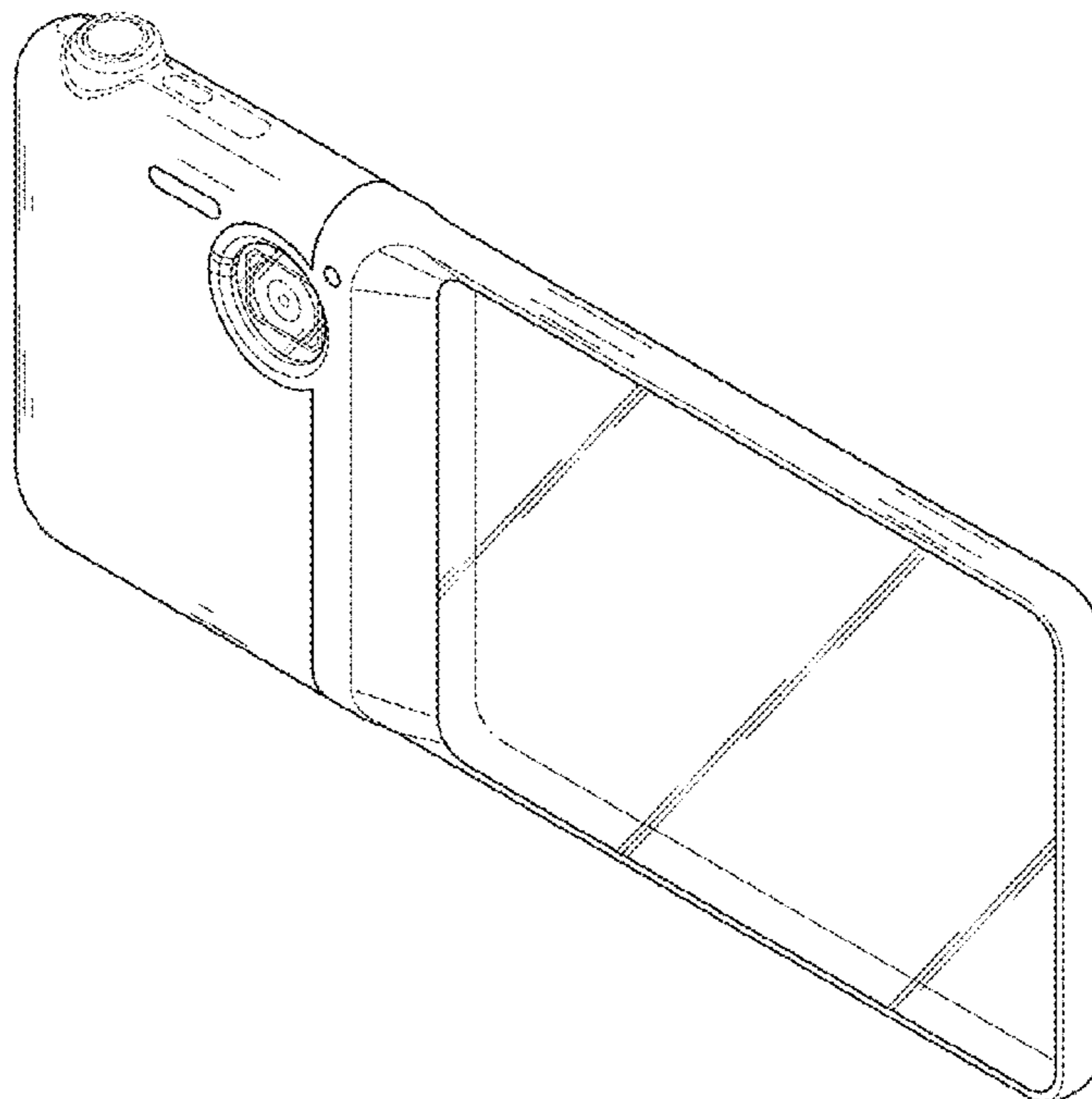
CPC ..... G03B 15/03; G03B 17/02; G03B 17/04;  
G03B 17/56; G03B 19/04; H04N 5/2251;  
H04N 5/2252; H04N 5/2253; H04N 5/2254;  
H04N 2101/00

USPC ..... D16/200, 202–206, 208, 218, 219;  
348/373–376; 396/535, 539–541

The broken lines portions of the design embodied in the camera are shown for illustration only and form no part of the claimed design.

See application file for complete search history.

**1 Claim, 4 Drawing Sheets**



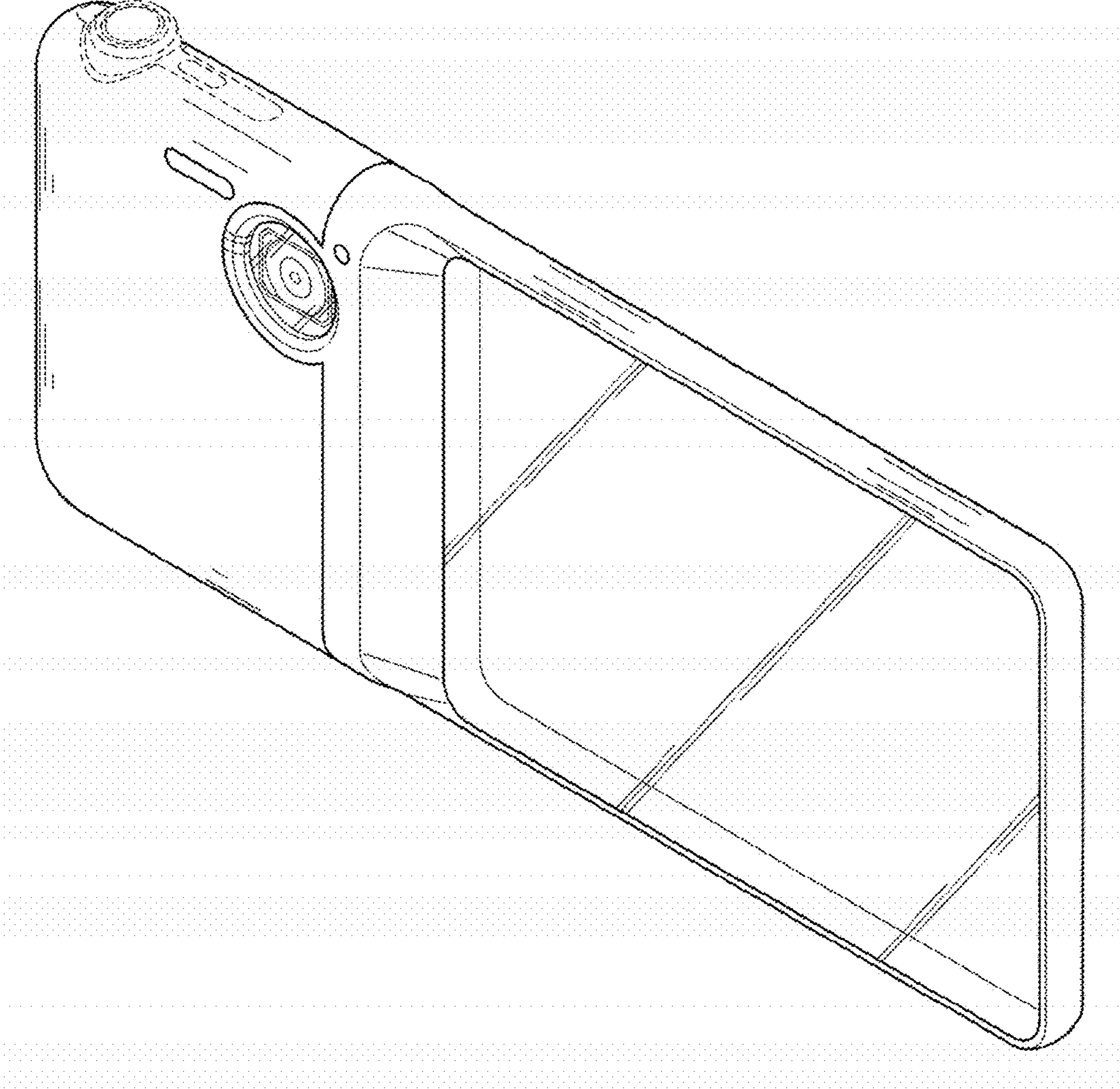


FIG. 1

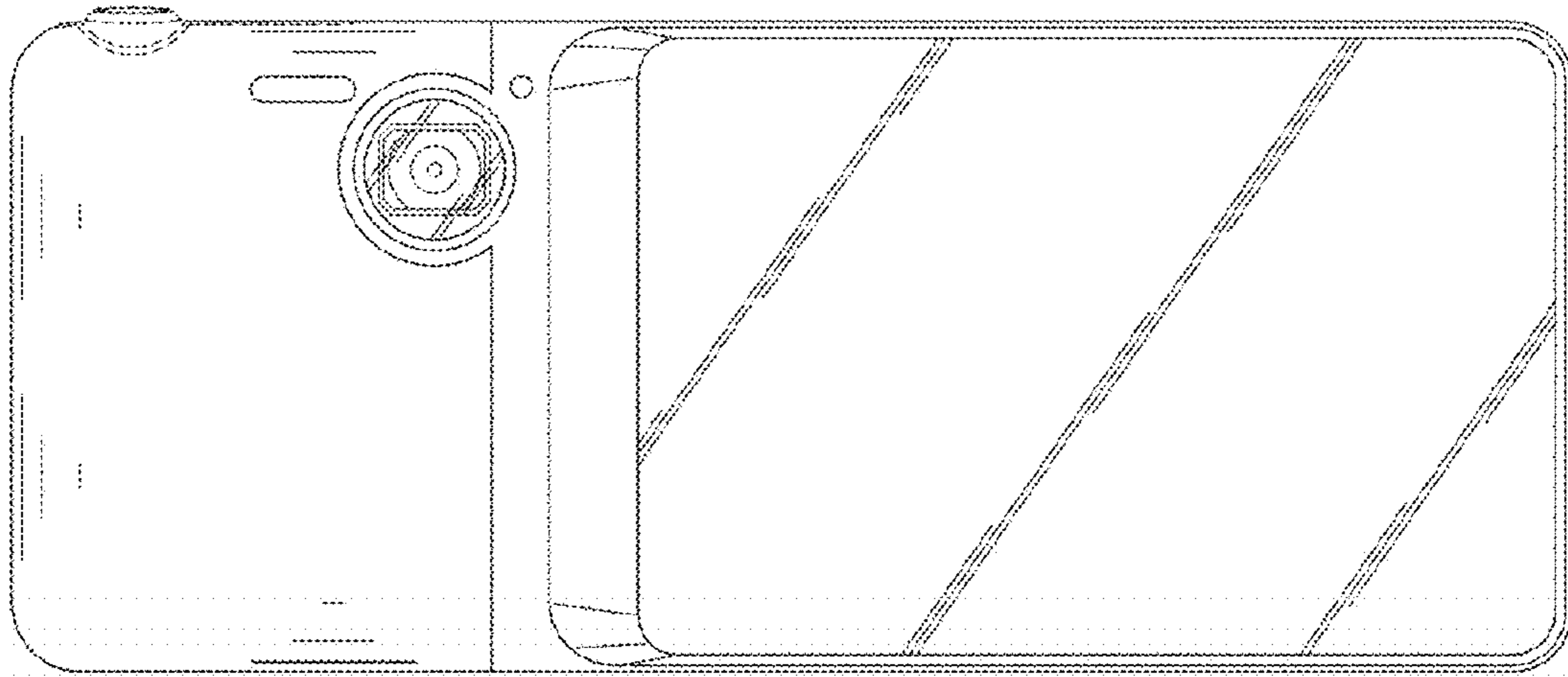


FIG.2

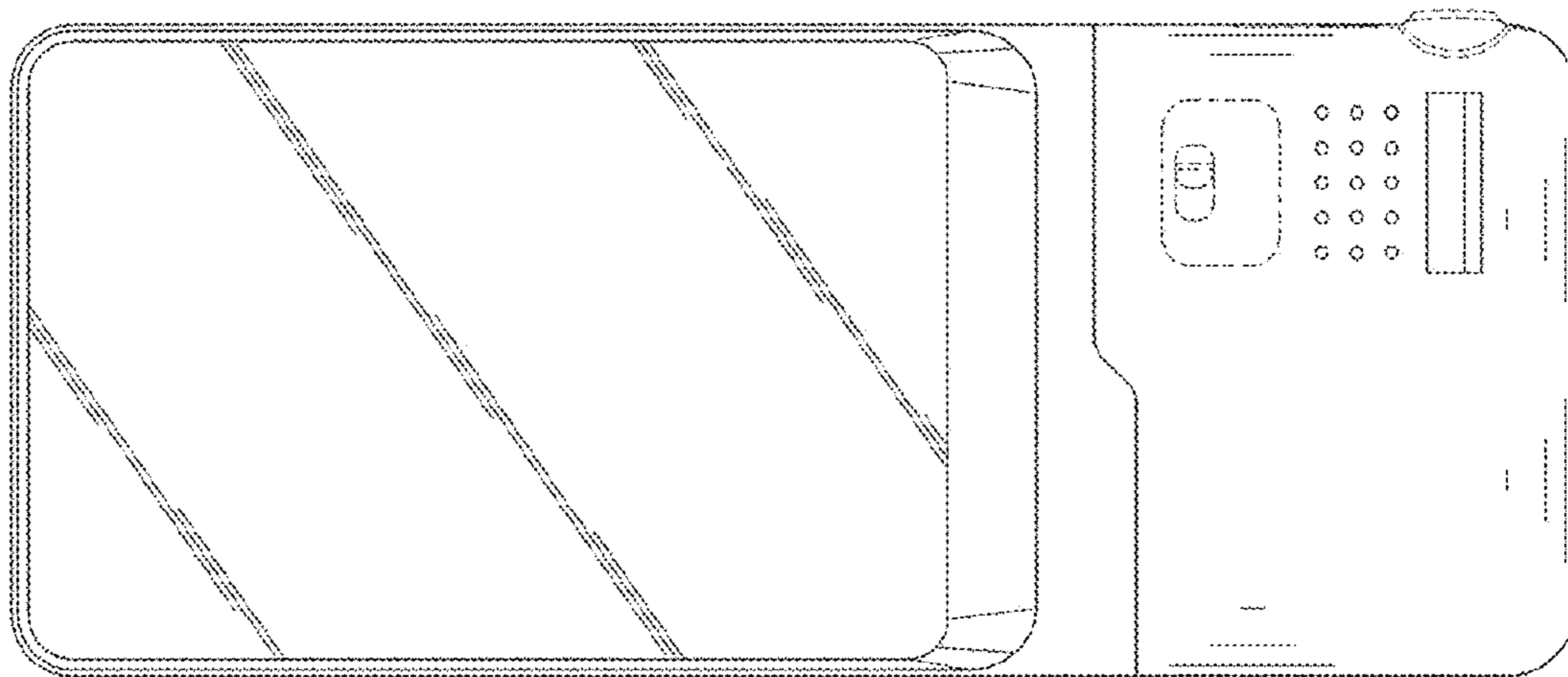


FIG.3

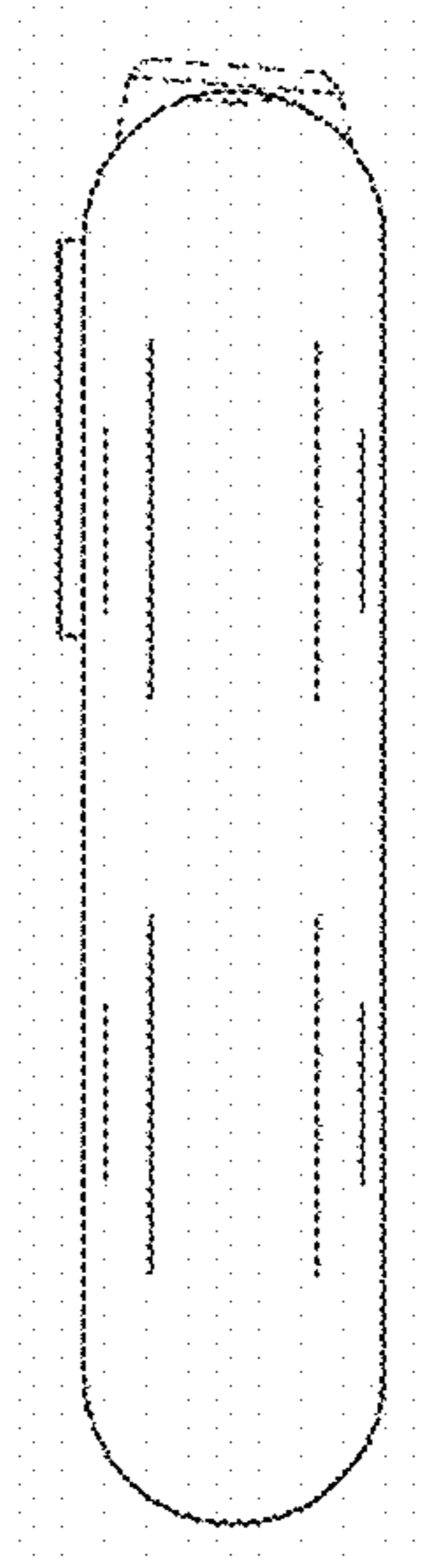


FIG. 4

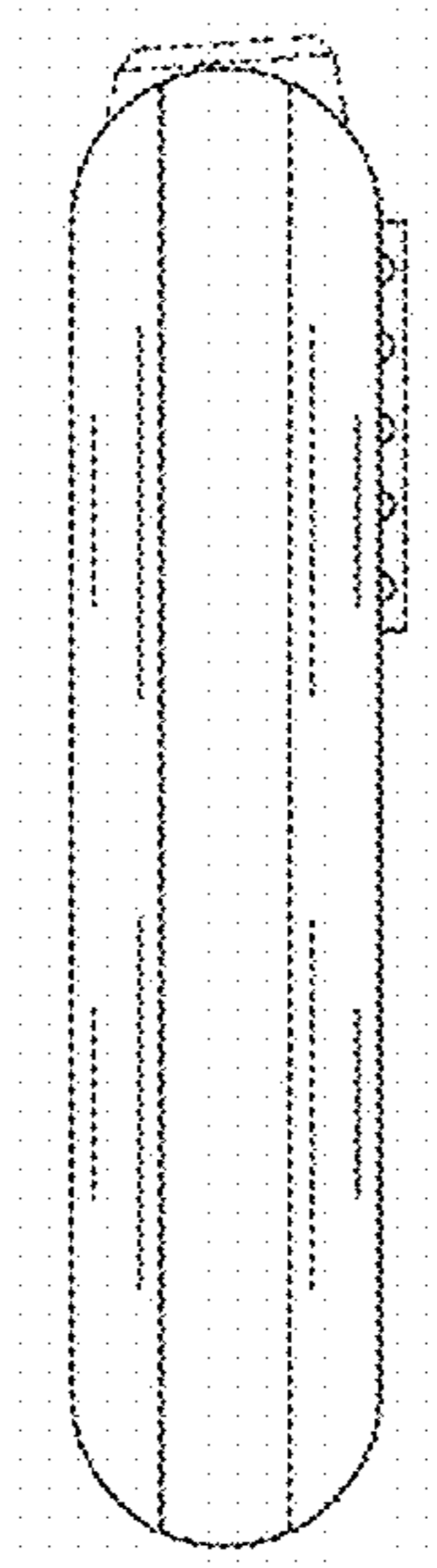


FIG. 5

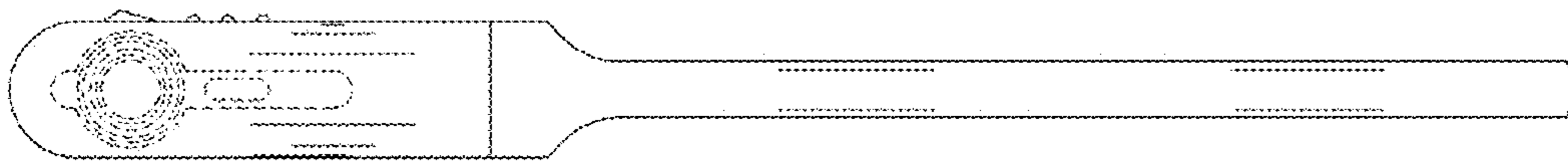


FIG.6

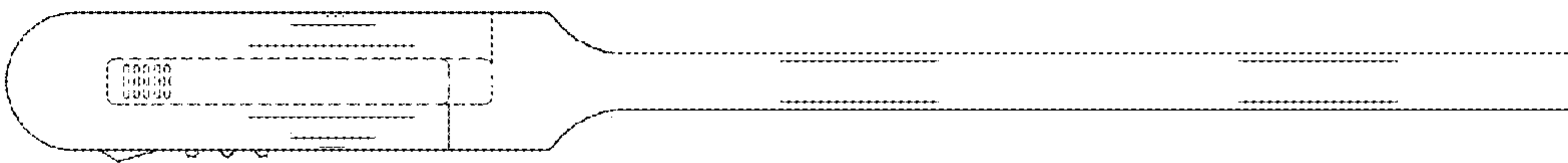


FIG.7