



US00D720376S

(12) **United States Design Patent**
Ryu et al.

(10) **Patent No.:** **US D720,376 S**

(45) **Date of Patent:** **** Dec. 30, 2014**

(54) **VACUUM PACKAGE MACHINE**

5,097,649 A * 3/1992 Ueda et al. 53/167
D567,271 S * 4/2008 Vine D15/145

(71) Applicant: **Samsung Electronics Co., Ltd.**,
Suwon-si (KR)

* cited by examiner

(72) Inventors: **Jinie Ryu**, Seoul (KR); **Jongchan Kwon**, Yongin-si (KR); **Ji Hyun Moon**, Gwangmyung-si (KR); **YangJic Lee**, Gwanchun-si (KR); **Sangmin Hyun**, Seoul (KR)

Primary Examiner — Patricia Palasik

(74) *Attorney, Agent, or Firm* — Cantor Colburn LLP

(73) Assignee: **Samsung Electronics Co., Ltd.** (KR)

(**) Term: **14 Years**

(21) Appl. No.: **29/464,208**

(22) Filed: **Aug. 14, 2013**

(30) **Foreign Application Priority Data**

Feb. 14, 2013 (KR) 30-2013-0007683

(51) **LOC (10) Cl.** **15-99**

(52) **U.S. Cl.**
USPC **D15/146**

(58) **Field of Classification Search**
USPC D15/122, 145, 146; 53/167, 202, 203,
53/266.1, 279, 284.5, 285, 370.7, 370.9,
53/381.1, 426, 558, 563, 565; 100/8, 25,
100/26, 29, 32; 493/184
See application file for complete search history.

(56) **References Cited**

U.S. PATENT DOCUMENTS

D301,890 S * 6/1989 Silbersky D15/145

(57) **CLAIM**

We claim, the ornamental design for a vacuum package machine, as shown and described.

DESCRIPTION

FIG. 1 is the front perspective view of a vacuum package machine showing our new design;
FIG. 2 is the front elevation view thereof;
FIG. 3 is the rear elevation view thereof;
FIG. 4 is the left-side elevation view thereof;
FIG. 5 is the right-side elevation view thereof;
FIG. 6 is the top-side plan view thereof;
FIG. 7 is the bottom-side plan view thereof; and,
FIG. 8 is a front elevation view thereof, showing the vacuum package machine in a refrigerator environment.

The surface treatment of the vacuum package machine shown in the figures forms no part of the claimed design, a vacuum package machine according to the claimed design may have any surface treatment.

The broken lines illustrating portions of the vacuum package machine are for environmental purposes only and form no part of the claimed design.

1 Claim, 6 Drawing Sheets

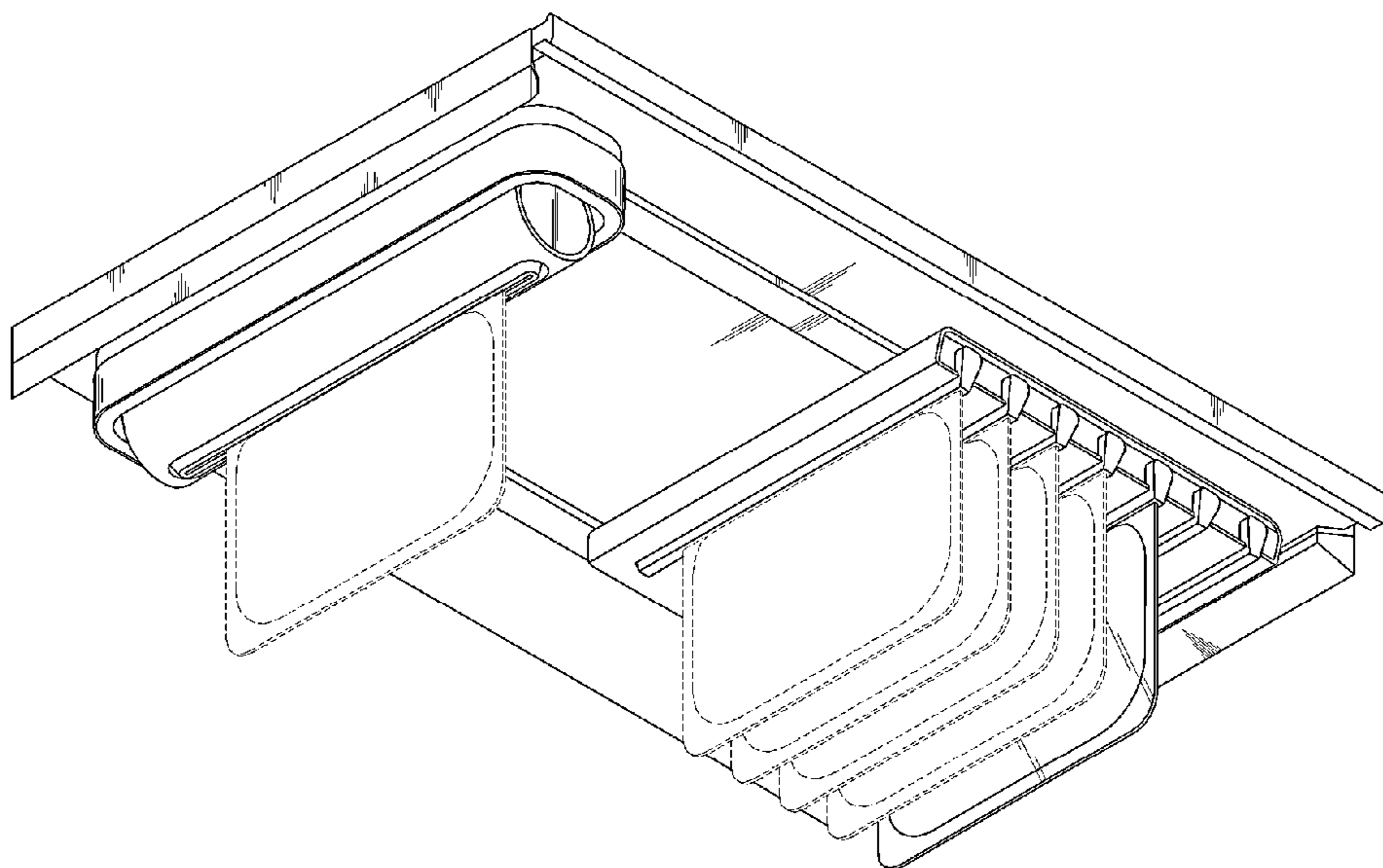


FIG. 1

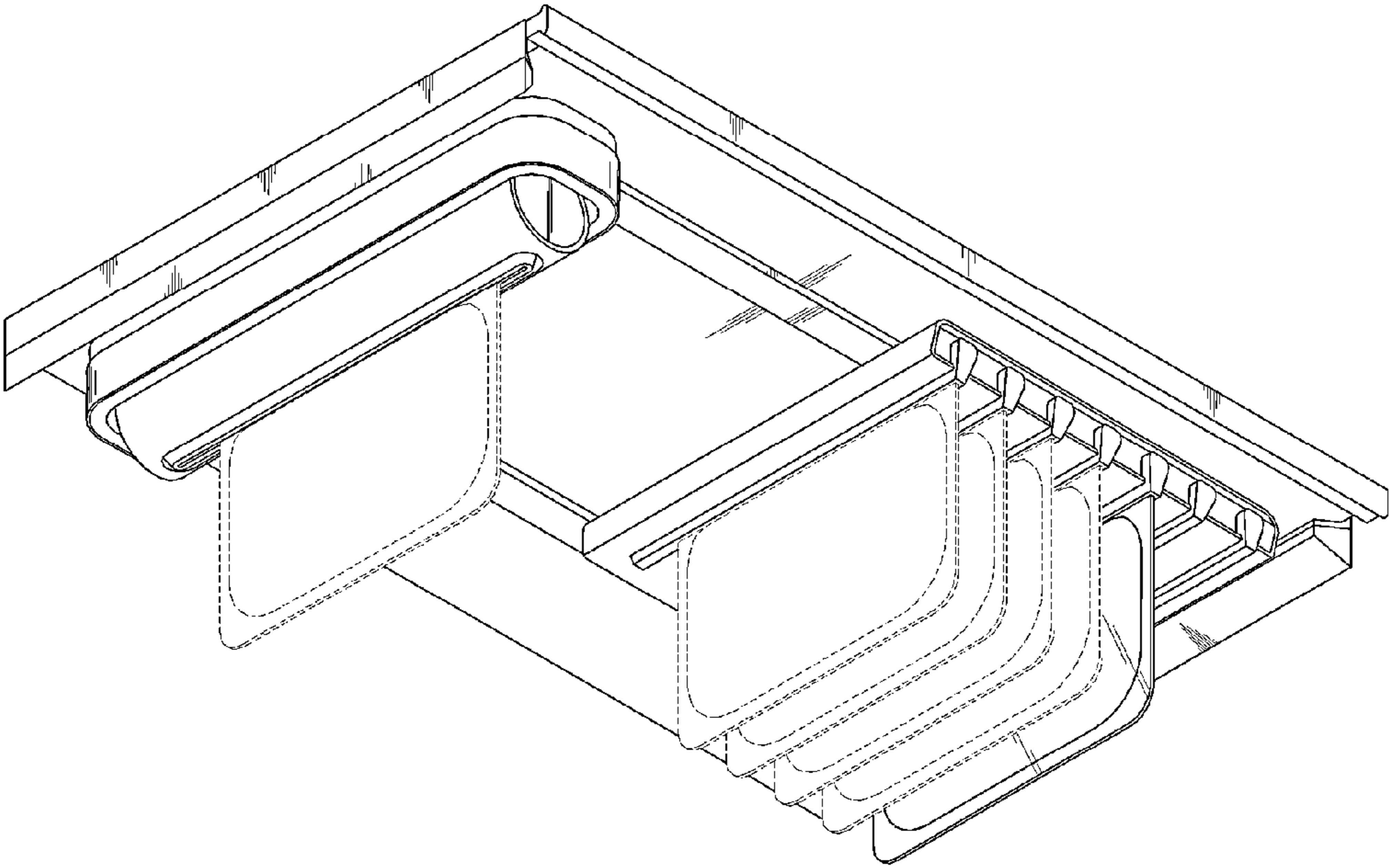


FIG. 2

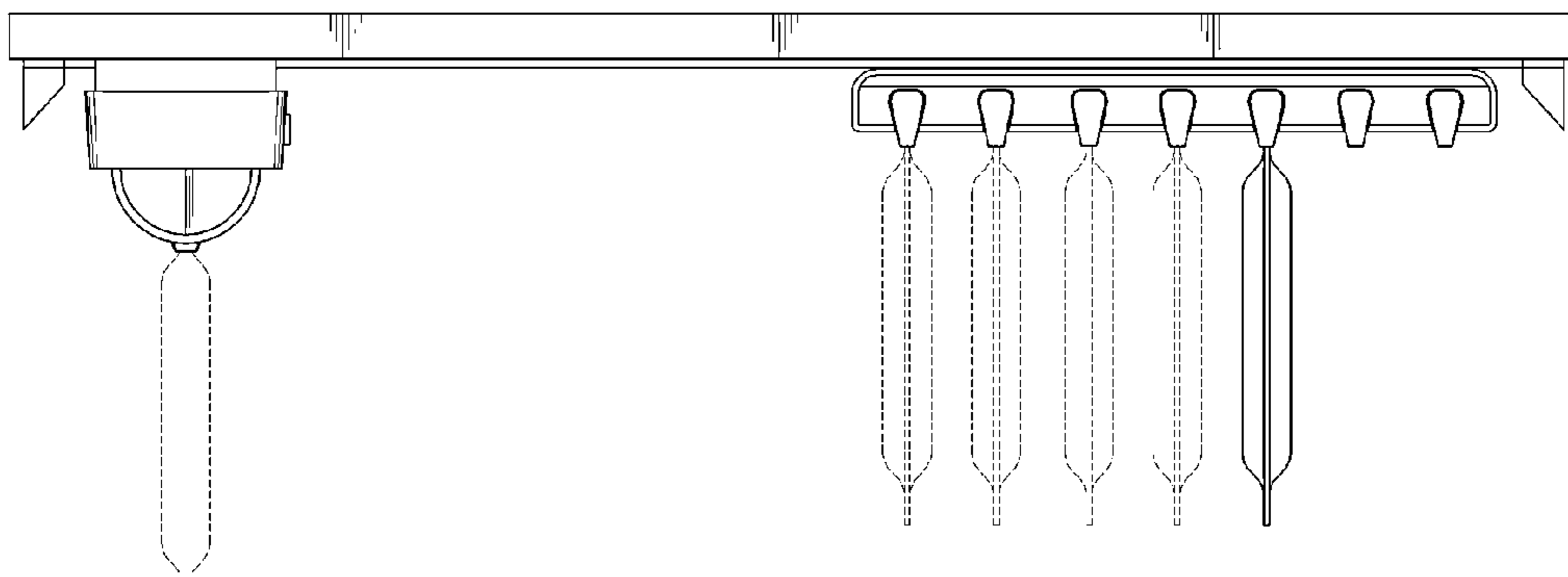


FIG. 3

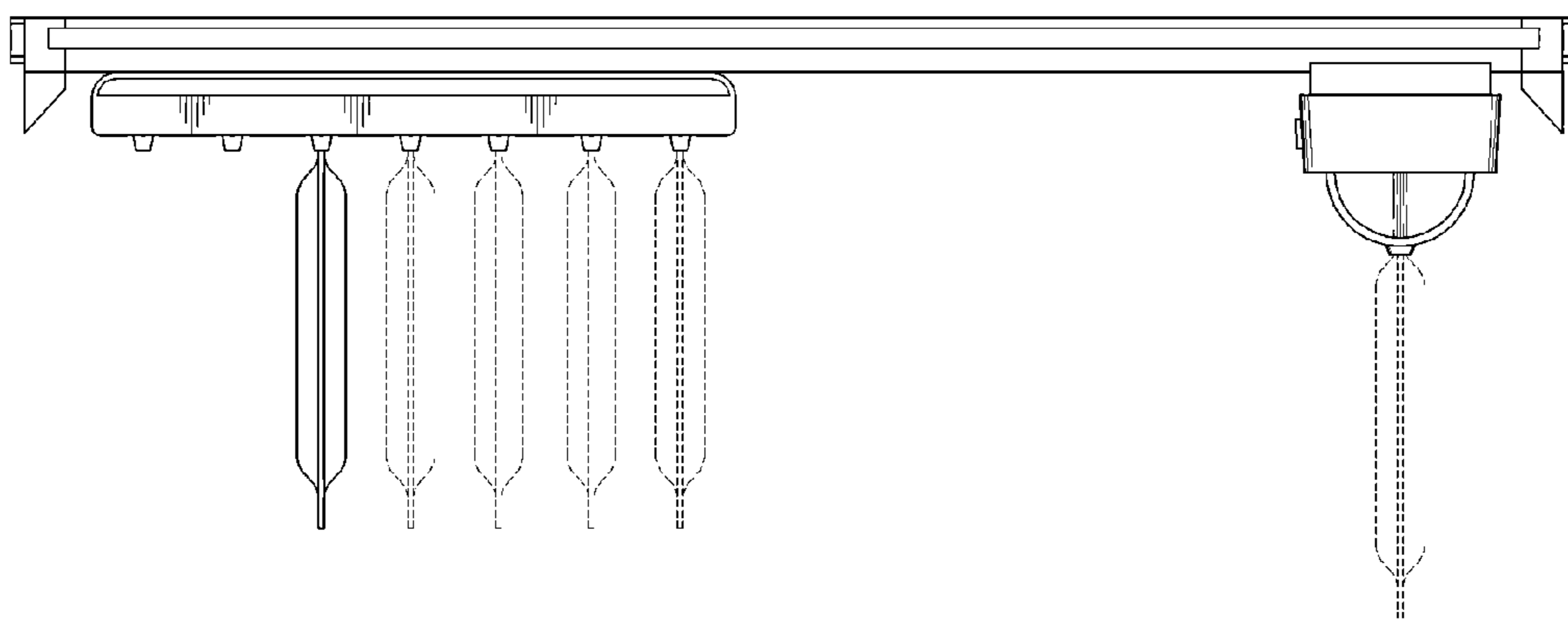


FIG. 4

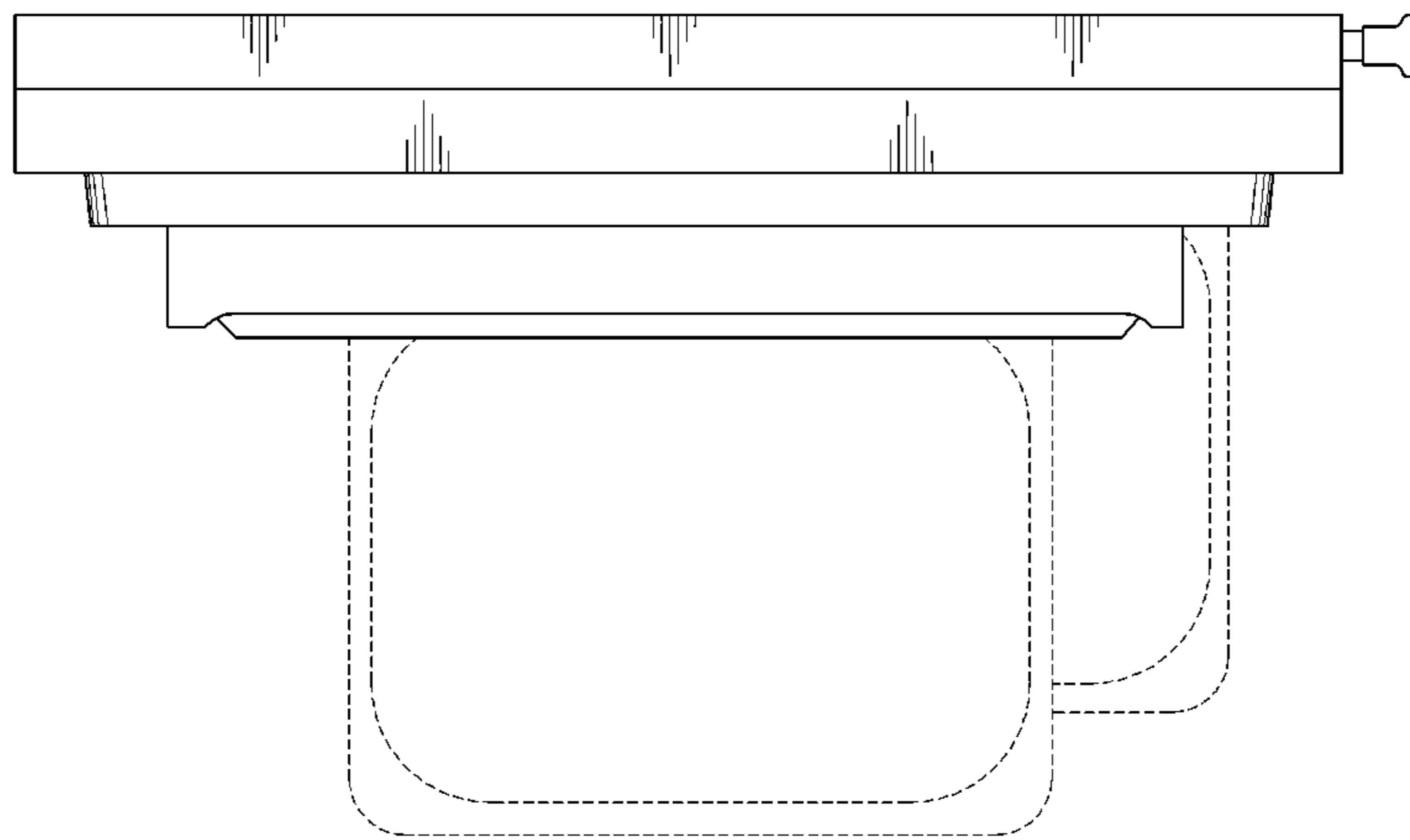


FIG. 5

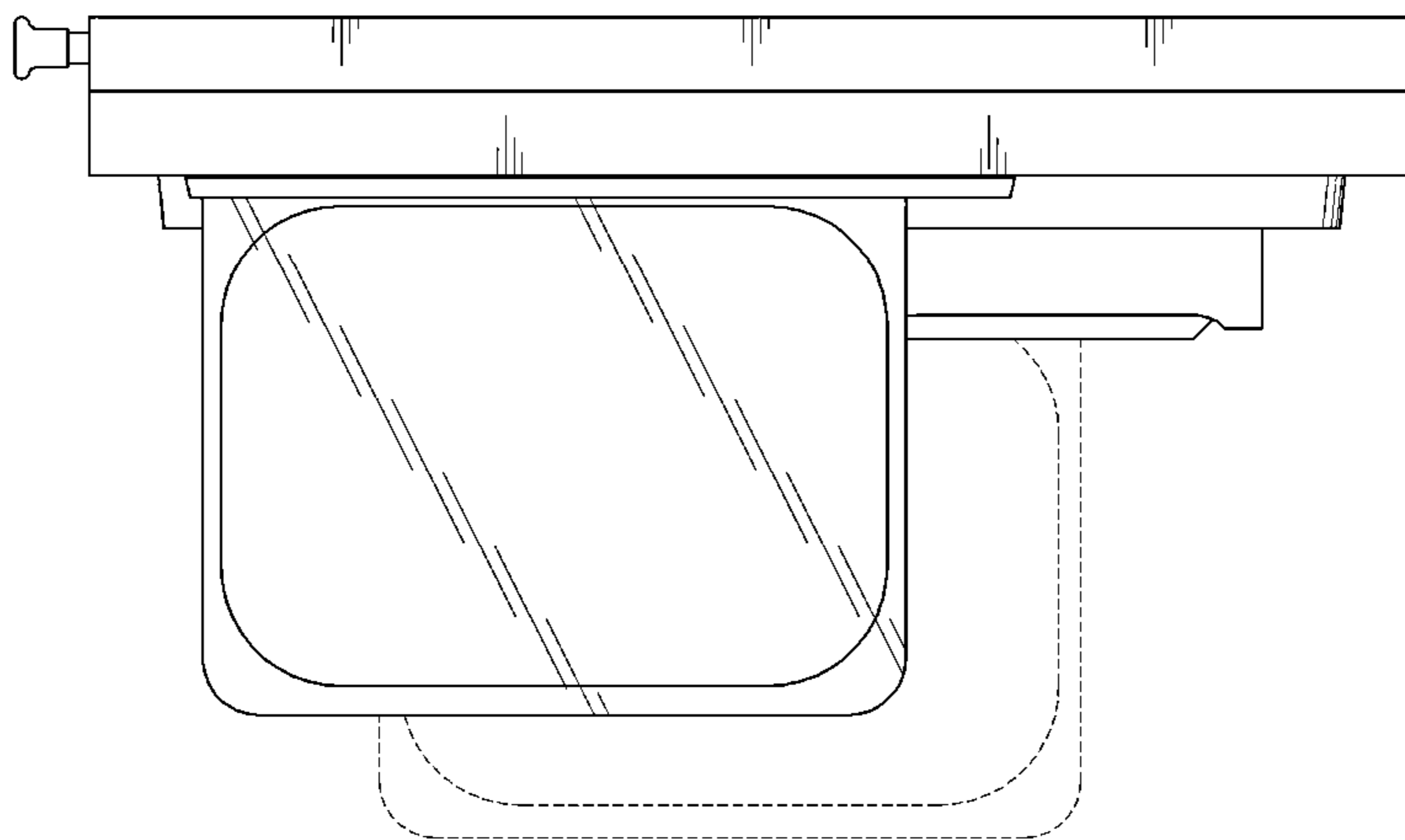


FIG. 6

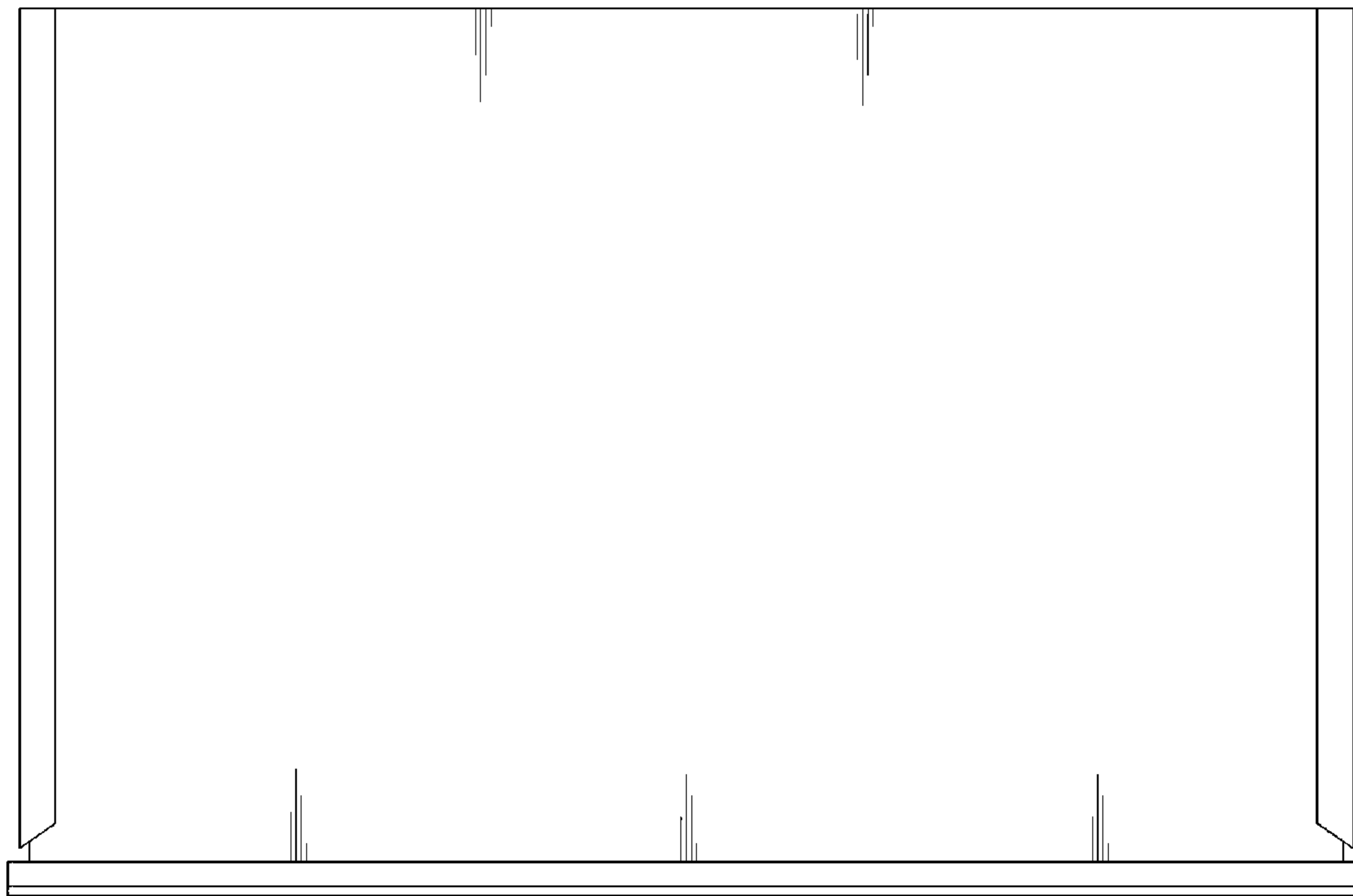


FIG. 7

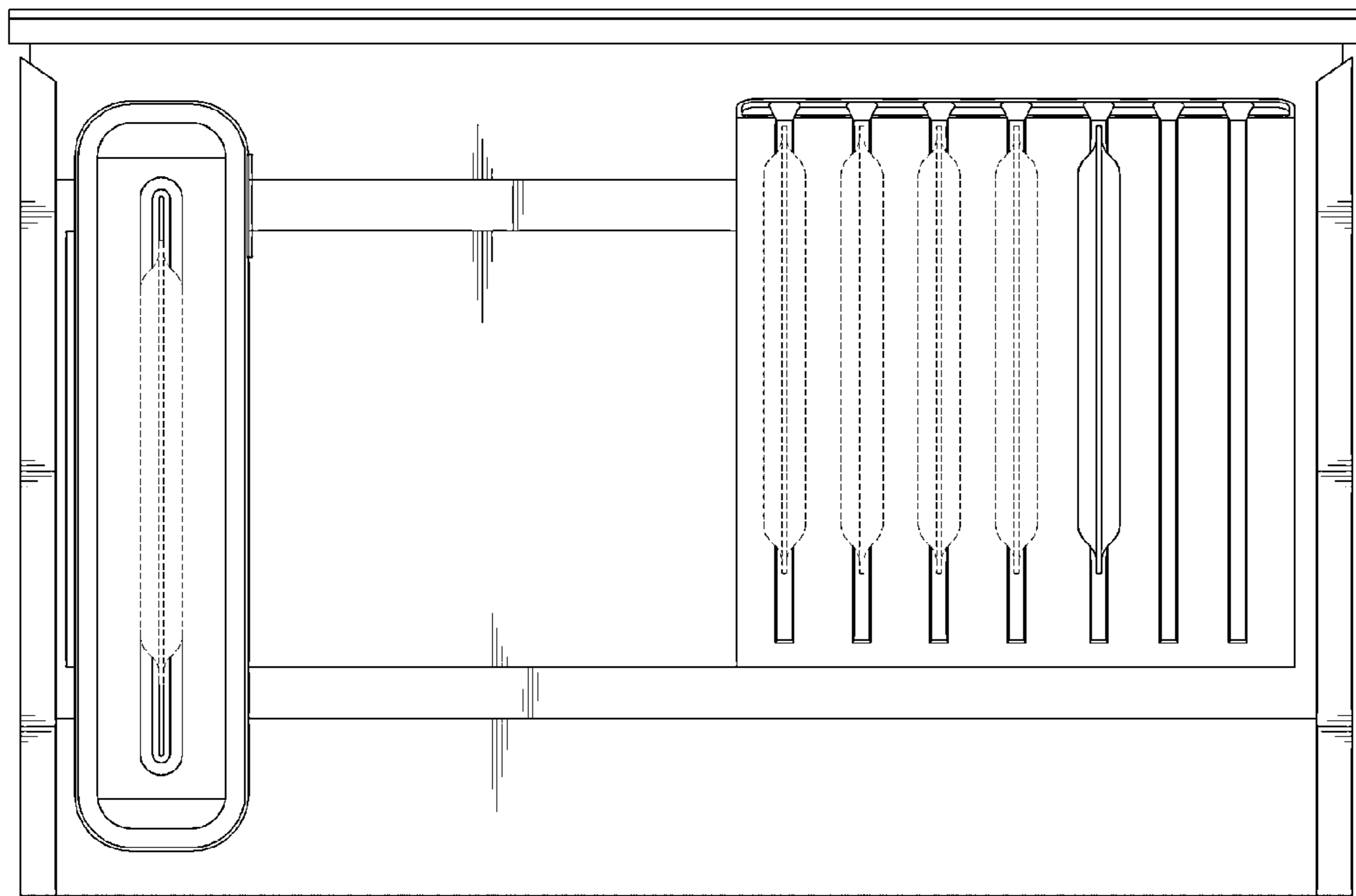


FIG. 8

