



US00D720375S

(12) **United States Design Patent**
Cascio et al.

(10) **Patent No.:** **US D720,375 S**

(45) **Date of Patent:** **** *Dec. 30, 2014**

(54) **PICK HOLDER**

FOREIGN PATENT DOCUMENTS

(75) Inventors: **Russell Cascio**, Brown Deer, WI (US);
Adam Osuski, Random Lake, WI (US);
Bernard Pusheck, Cudahy, WI (US);
Justin Zunker, Port Washington, WI
(US)

GB	1266137	3/1972
GB	1048967	9/1988
WO	99/54049	10/1999
WO	2004/018106	3/2004

OTHER PUBLICATIONS

(73) Assignee: **Harnischfeger Technologies, Inc.**,
Wilmington, DE (US)

Chilean Search Report dated Oct. 1, 2013 for Chilean Application
No. 1394-2012 (6 pages).

(*) Notice: This patent is subject to a terminal dis-
claimer.

(Continued)

(**) Term: **14 Years**

Primary Examiner — Patricia Palasik

(74) *Attorney, Agent, or Firm* — Michael Best & Friedrich
LLP

(21) Appl. No.: **29/407,489**

(22) Filed: **Nov. 30, 2011**

(51) **LOC (10) Cl.** **15-09**

(52) **U.S. Cl.**
USPC **D15/140**

(58) **Field of Classification Search**
USPC D8/70-74; D15/20, 21, 28, 29, 123,
D15/124, 126, 131, 138, 140, 199; 100/902;
241/73, 74, 189.1, 193-197, 294, 300;
404/133.05, 133.1, 133.2; 405/129,
405/131, 271

See application file for complete search history.

(57) **CLAIM**

We claim the ornamental design for a pick holder, as shown
and described in FIGS. 1-8.

DESCRIPTION

FIG. 1 is a perspective view of a pick holder.
FIG. 2 is a left side view of the pick holder shown in FIG. 1.
FIG. 3 is a right side view of the pick holder shown in FIG. 1.
FIG. 4 is a front view of the pick holder shown in FIG. 1.
FIG. 5 is a back view of the pick holder shown in FIG. 1.
FIG. 6 is a top view of the pick holder shown in FIG. 1.
FIG. 7 is a bottom view of the pick holder shown in FIG. 1;
and,
FIG. 8 is a perspective view of a portion of the pick holder
shown in FIG. 1 in a position of use to hold a pick.
The elements shown in broken lines are included for the
purpose of illustrating environment and form no part of the
claimed design.

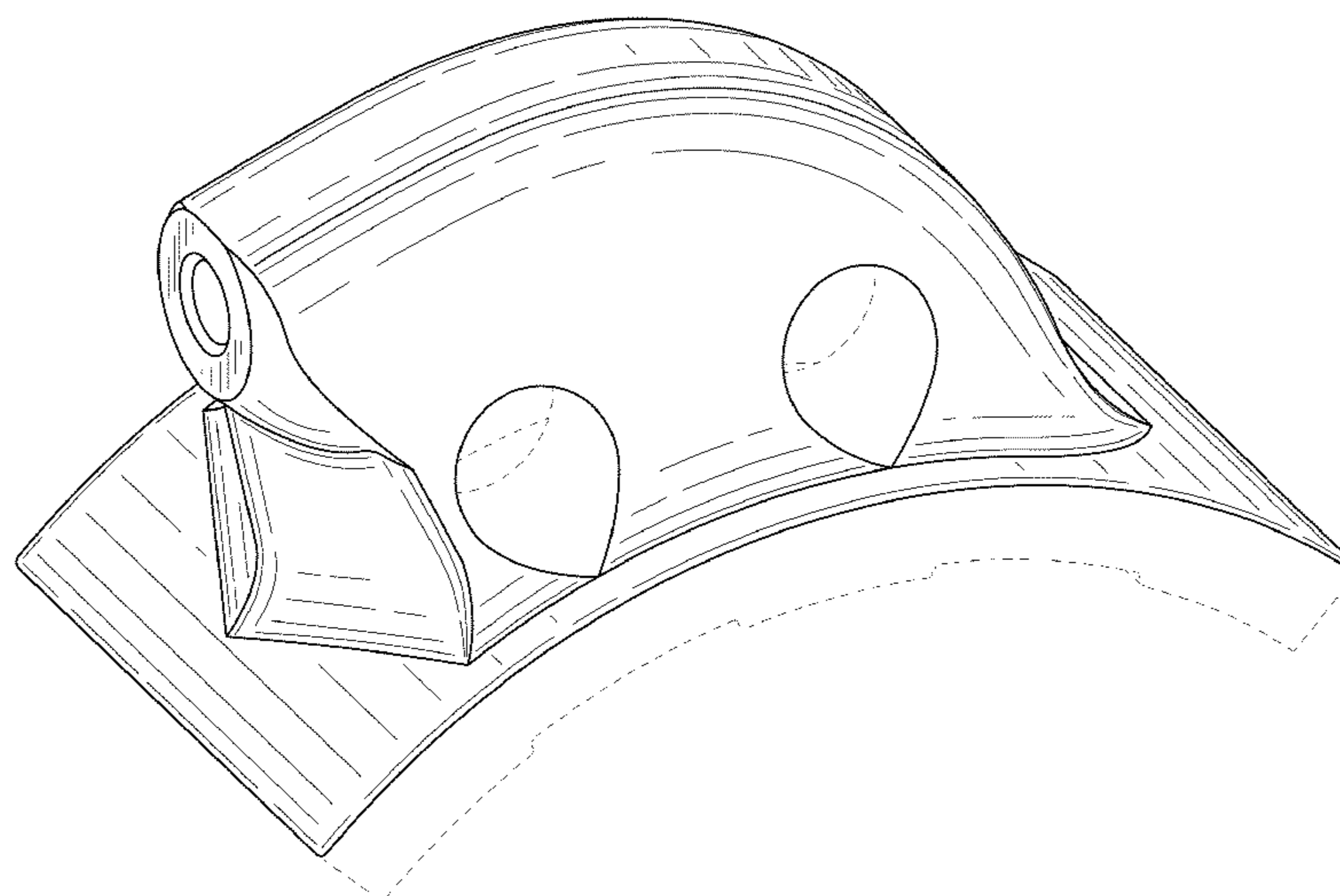
(56) **References Cited**

U.S. PATENT DOCUMENTS

2,965,365	A	12/1960	Krekeler
3,614,164	A	10/1971	Davis
3,913,979	A	10/1975	Strauss et al.
4,094,611	A	6/1978	Harper et al.
4,163,581	A	8/1979	Krekeler
4,274,677	A	6/1981	Proctor
4,275,929	A	6/1981	Krekeler

(Continued)

1 Claim, 5 Drawing Sheets



(56)

References Cited

U.S. PATENT DOCUMENTS

4,415,208	A	11/1983	Goyarts	
4,557,525	A	12/1985	Merten et al.	
4,607,891	A	8/1986	Pendolino et al.	
4,650,254	A	3/1987	Wechner	
4,733,828	A	3/1988	Potts	
4,744,605	A	5/1988	Komotzki	
4,763,845	A	8/1988	Guggenheimer et al.	
4,828,327	A	5/1989	Wechner	
4,913,125	A	4/1990	Bunting et al.	
4,919,566	A *	4/1990	Caron et al.	404/121
4,944,560	A	7/1990	Osterwise	
5,011,229	A	4/1991	O'Neill et al.	
5,441,206	A	8/1995	Schade et al.	
5,769,505	A	6/1998	Siddle et al.	
6,764,140	B2	7/2004	Carson, Jr. et al.	
7,073,870	B2	7/2006	Tillessen et al.	
D560,232	S	1/2008	De Martiis	

D576,183	S	9/2008	De Martiis	
D602,505	S	10/2009	Ruvang	
7,694,443	B2	4/2010	Gabela et al.	
8,020,800	B2	9/2011	Potts	
D682,900	S *	5/2013	Parrott	D15/140
8,506,019	B2 *	8/2013	Monyak et al.	299/104
2001/0022465	A1 *	9/2001	Mondy	299/102
2004/0251360	A1	12/2004	Everson et al.	
2009/0273225	A1	11/2009	Hall et al.	
2010/0194176	A1 *	8/2010	Lucek et al.	299/29
2012/0068527	A1 *	3/2012	Erdmann et al.	299/106
2012/0132740	A1	5/2012	Cascio et al.	

OTHER PUBLICATIONS

Co-pending Design U.S. Appl. No. 29/407,487, filed Nov. 30, 2011.
 Australian Patent Examination Report No. 1 for Australian Application No. 2011253666 dated Nov. 1, 2013 (4 pages).

* cited by examiner

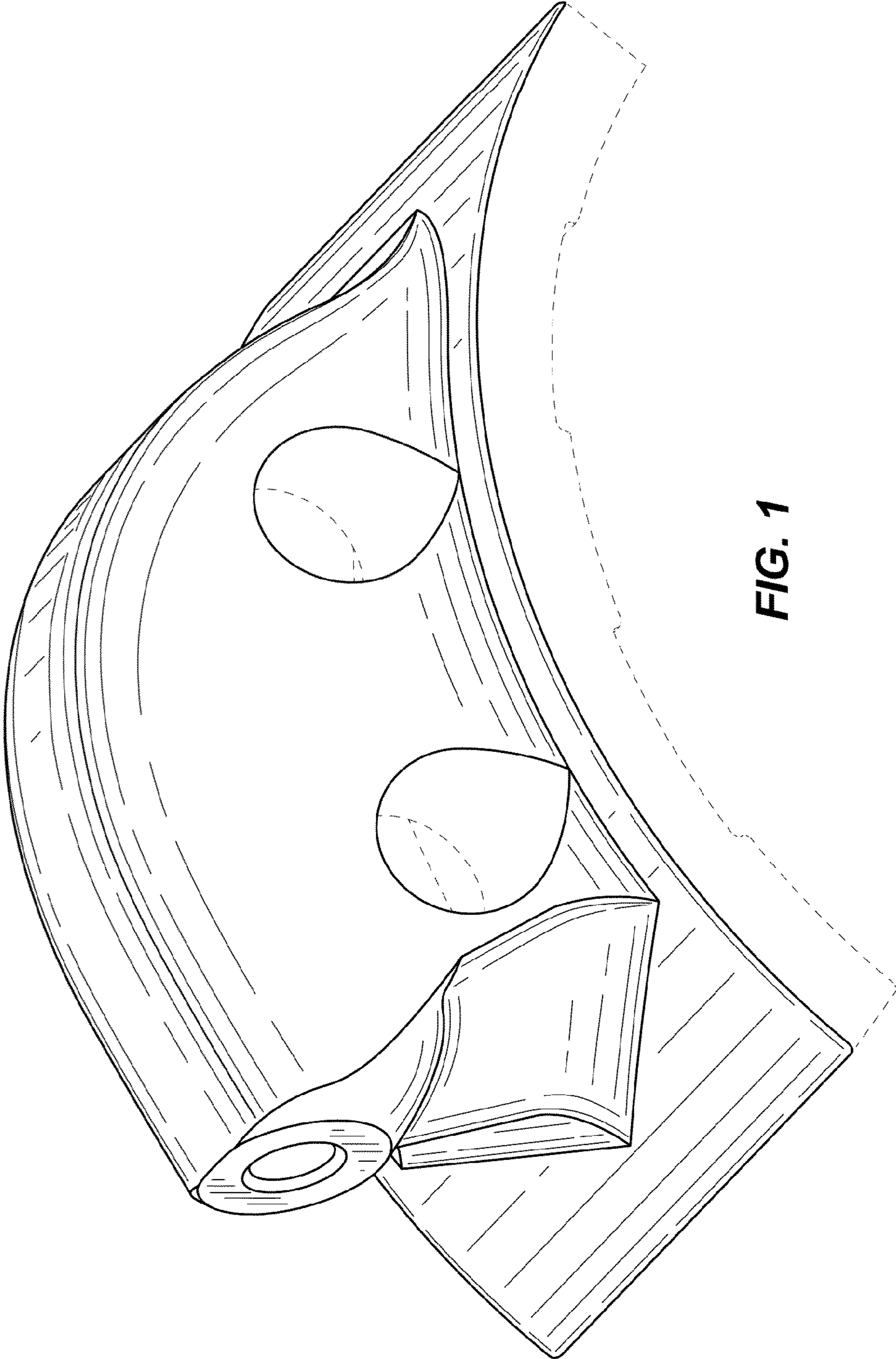


FIG. 1

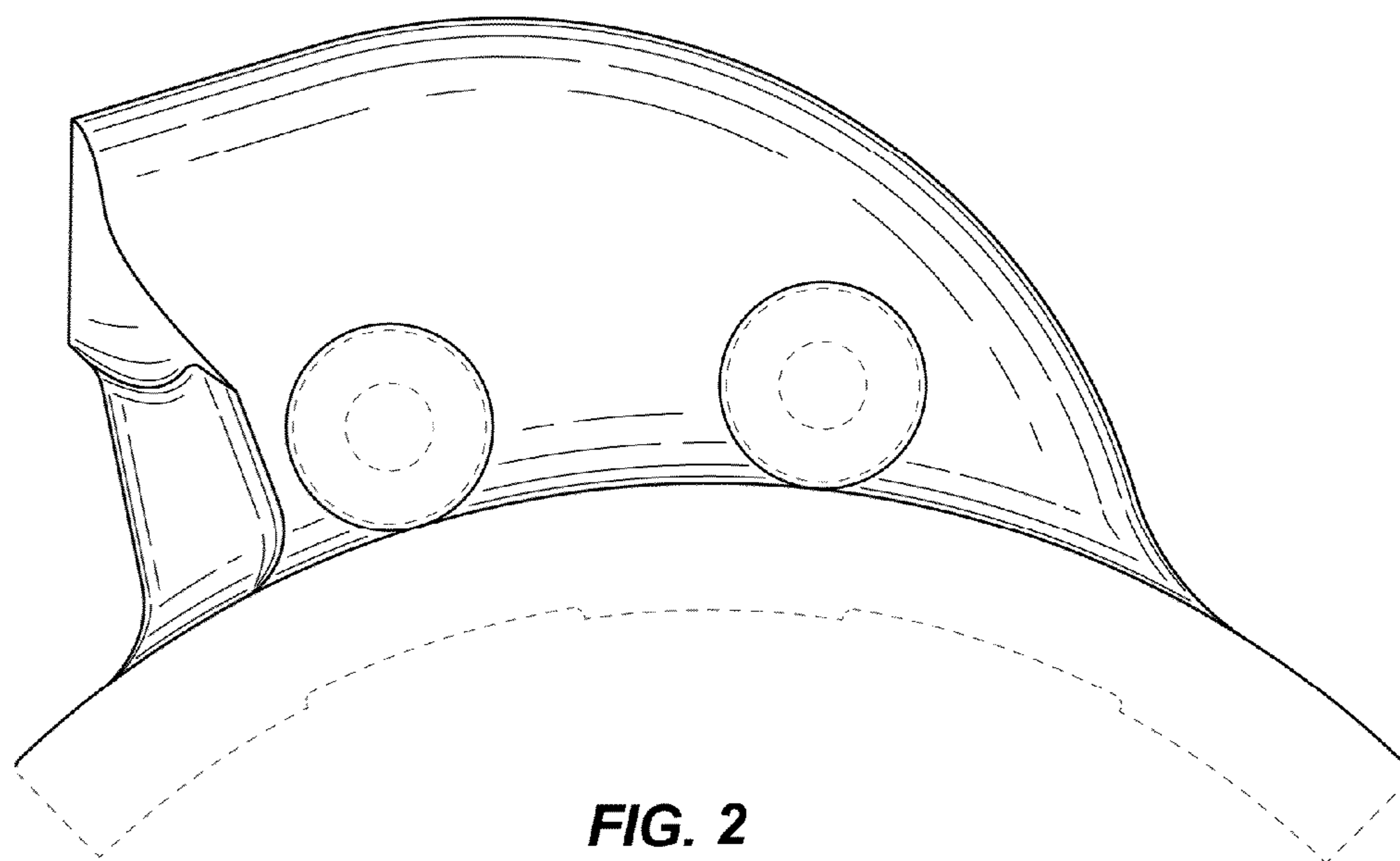


FIG. 2

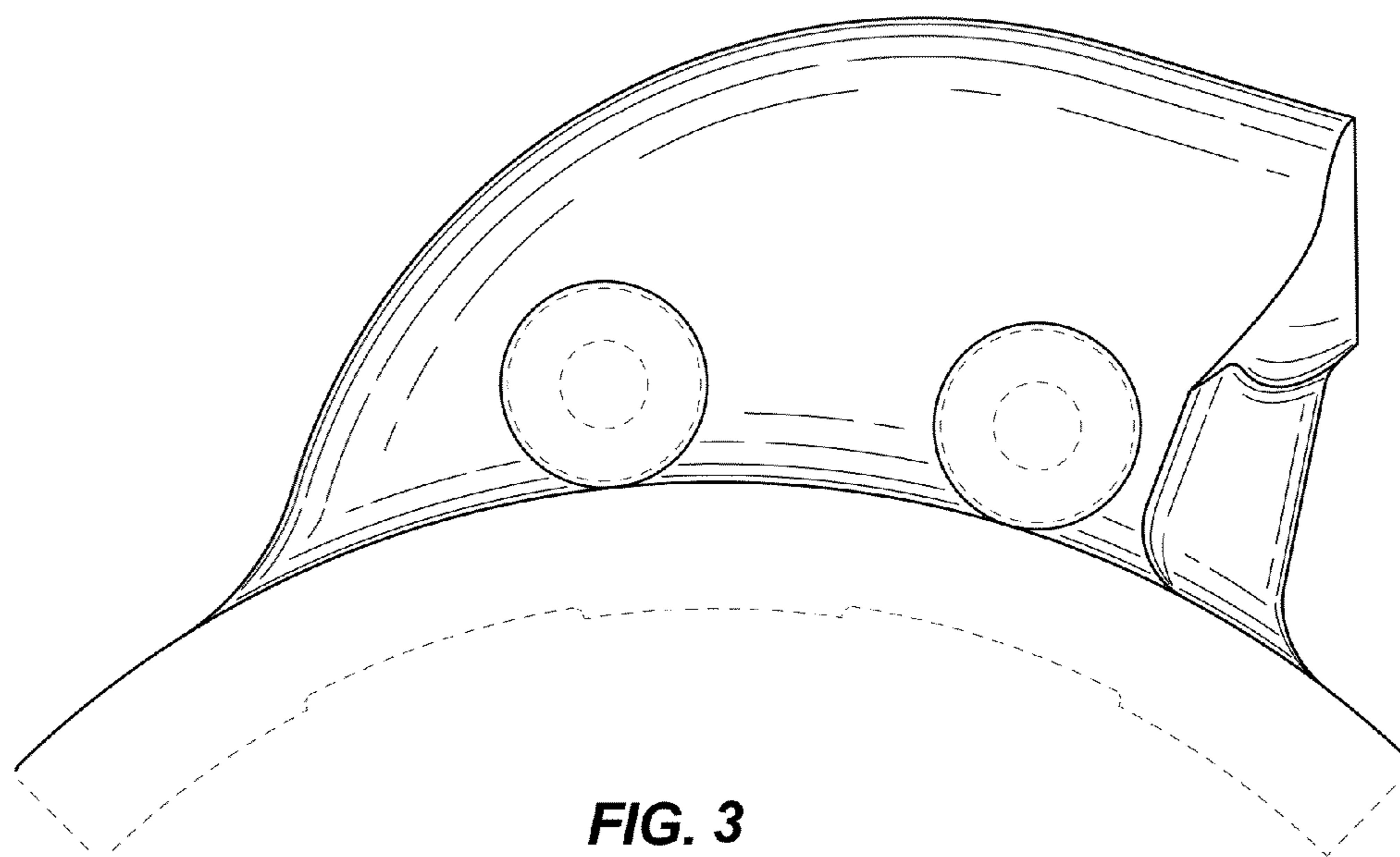


FIG. 3

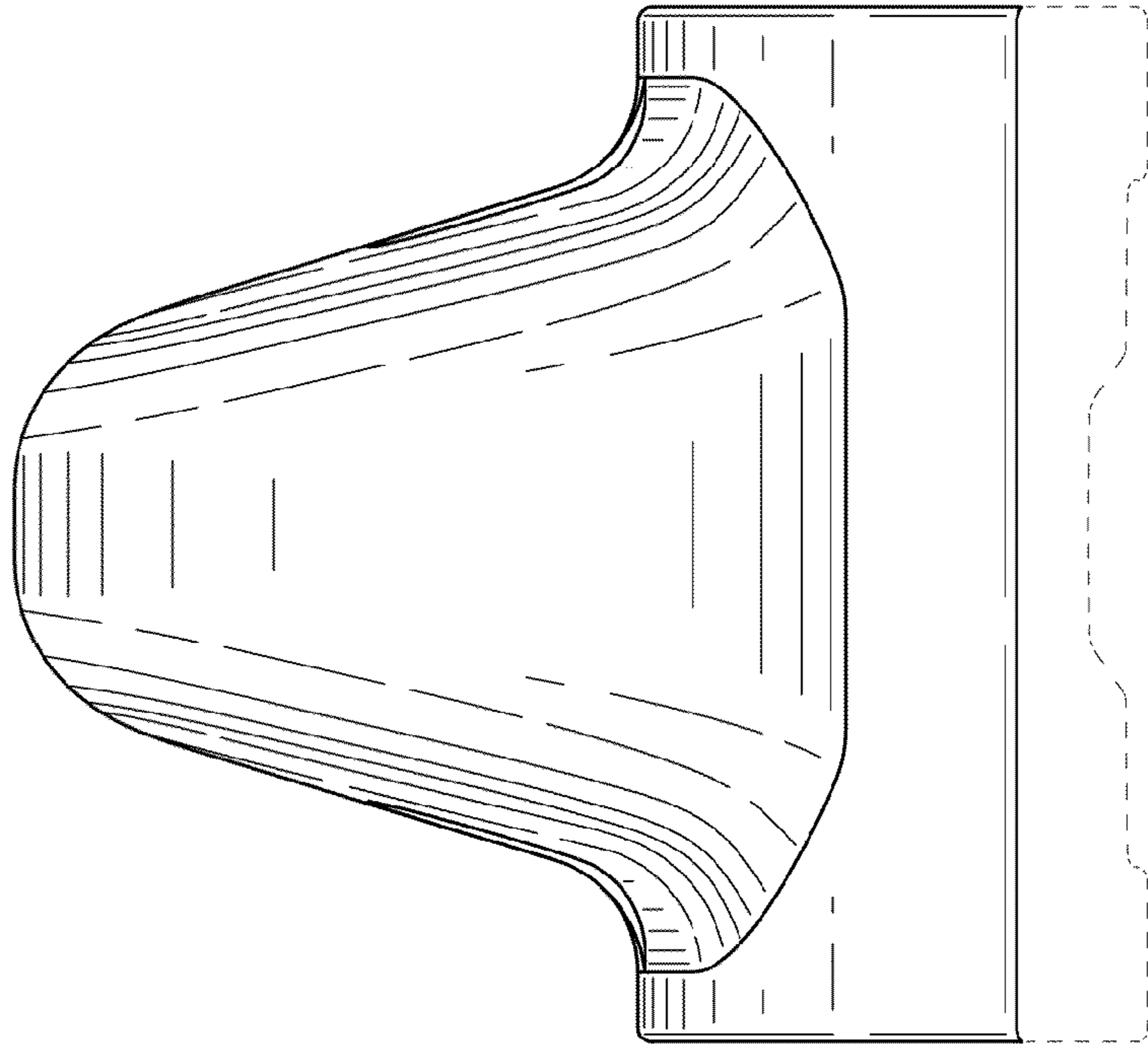


FIG. 4

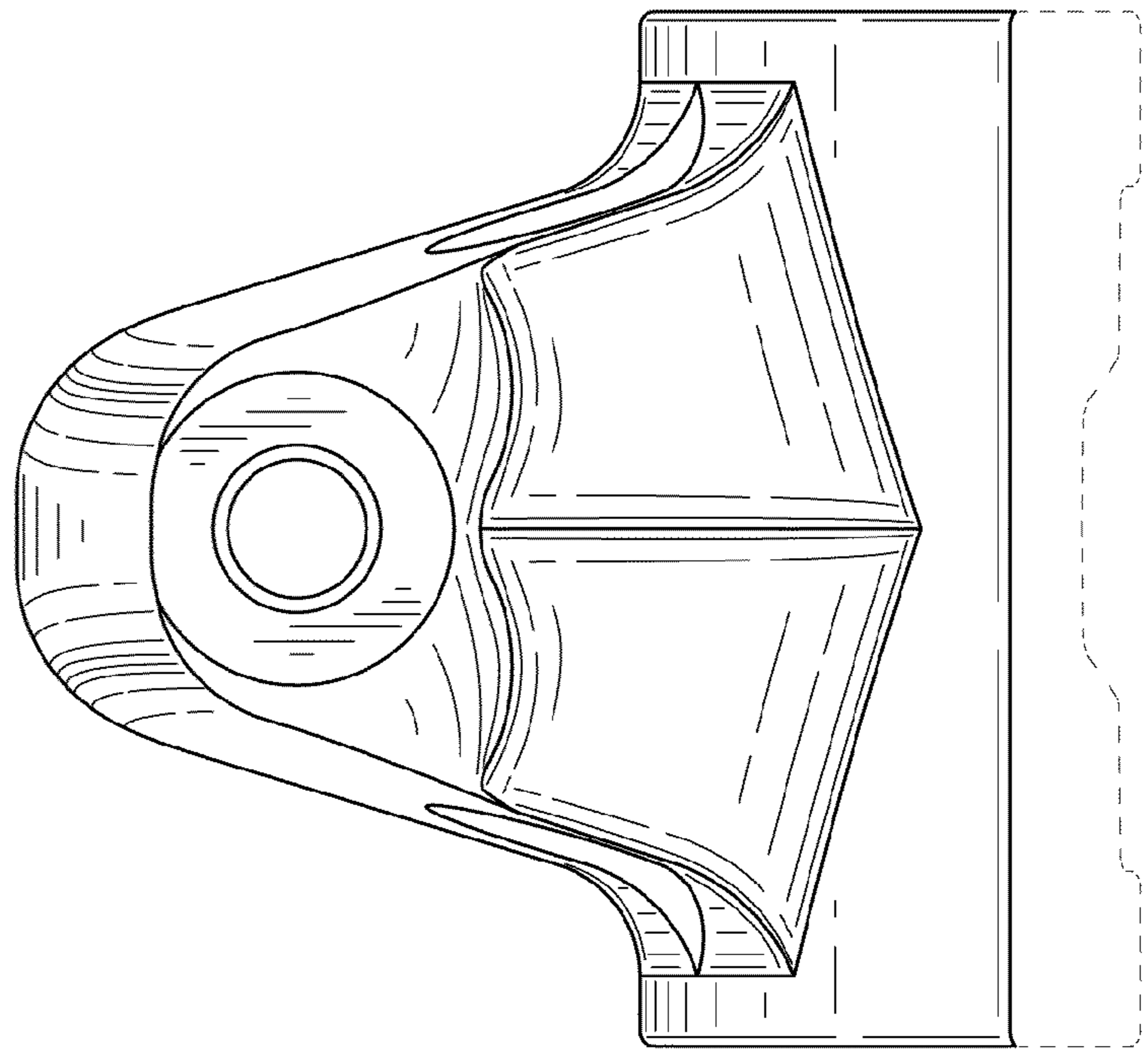


FIG. 5

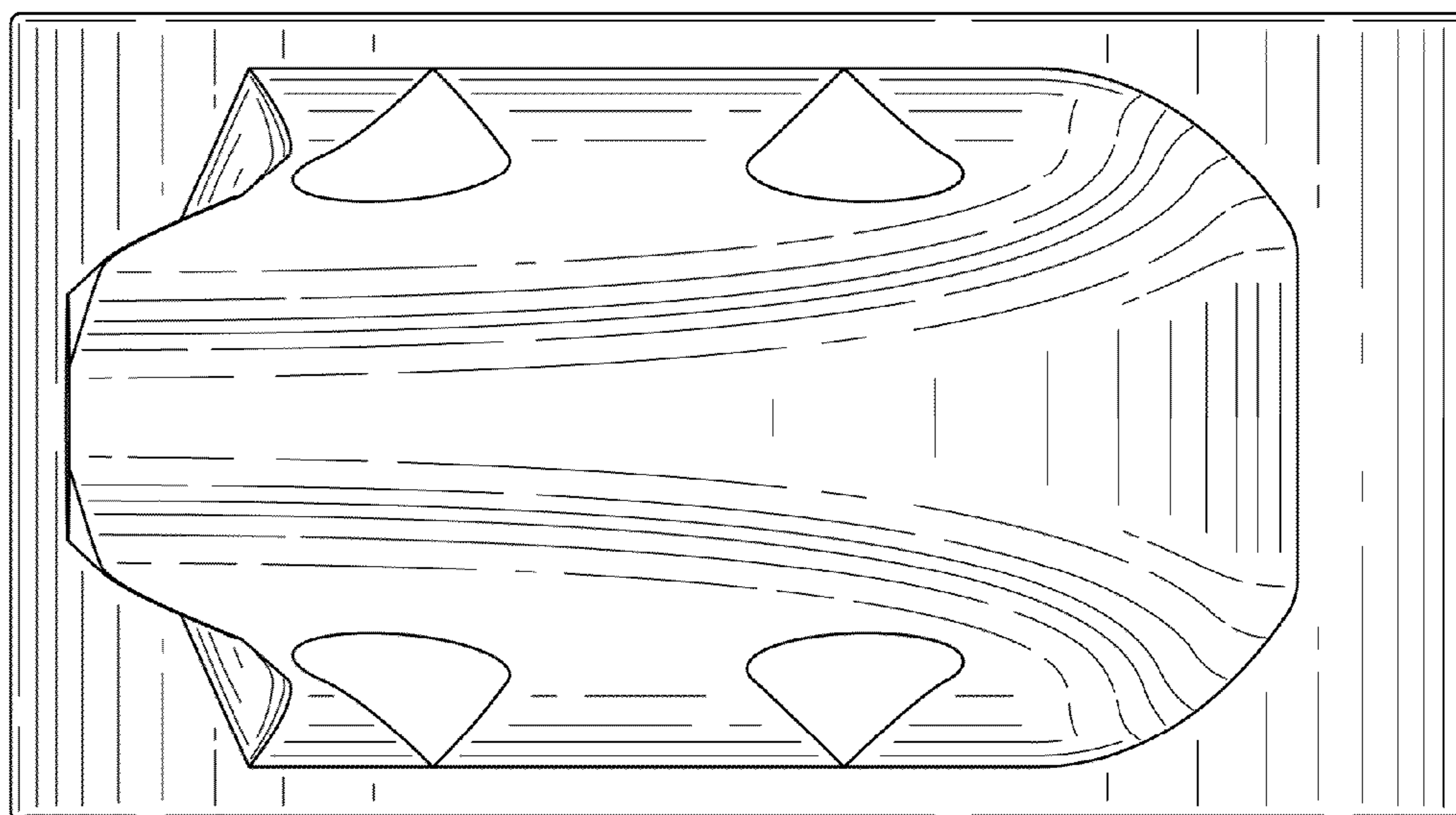


FIG. 6

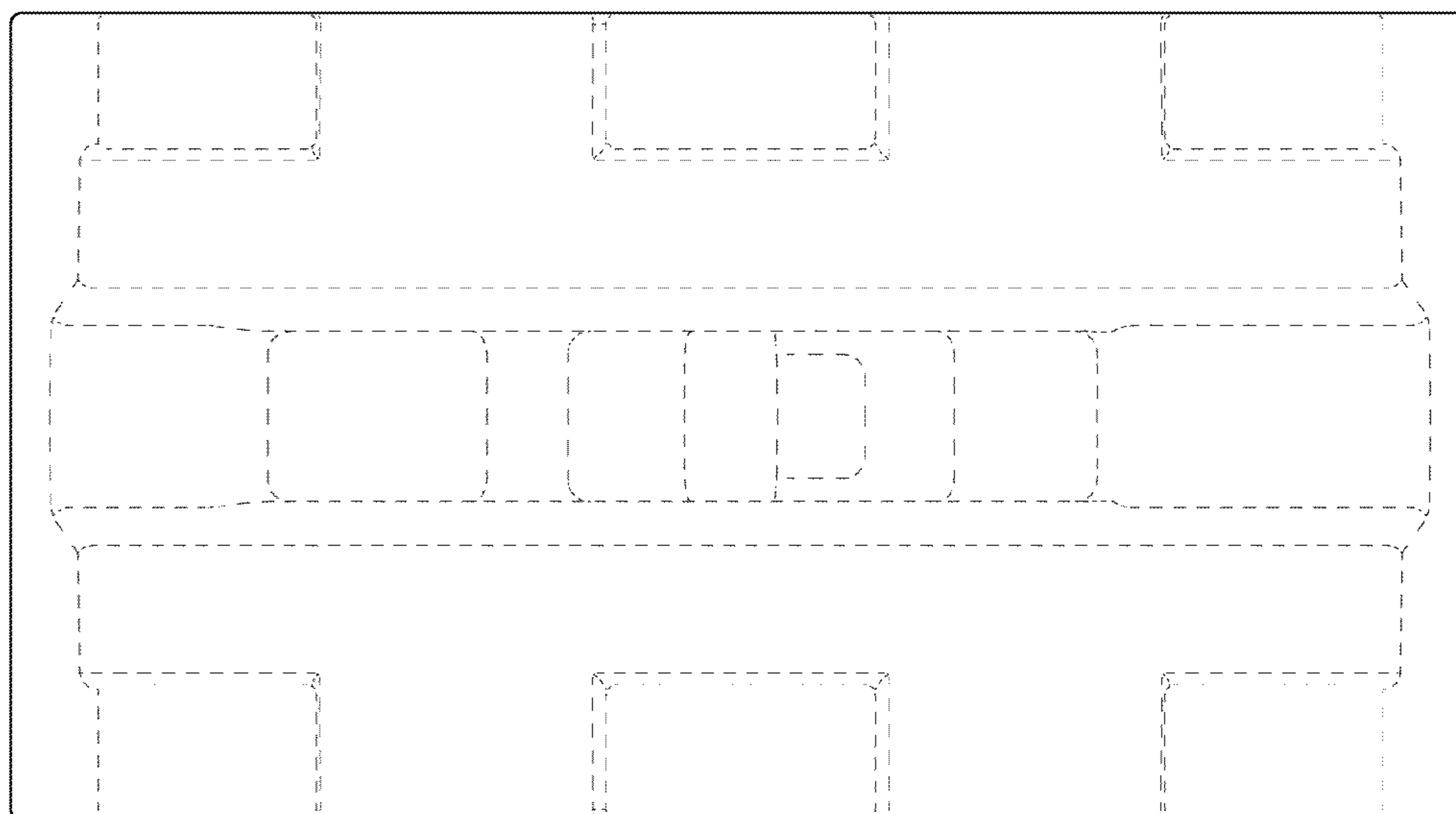


FIG. 7

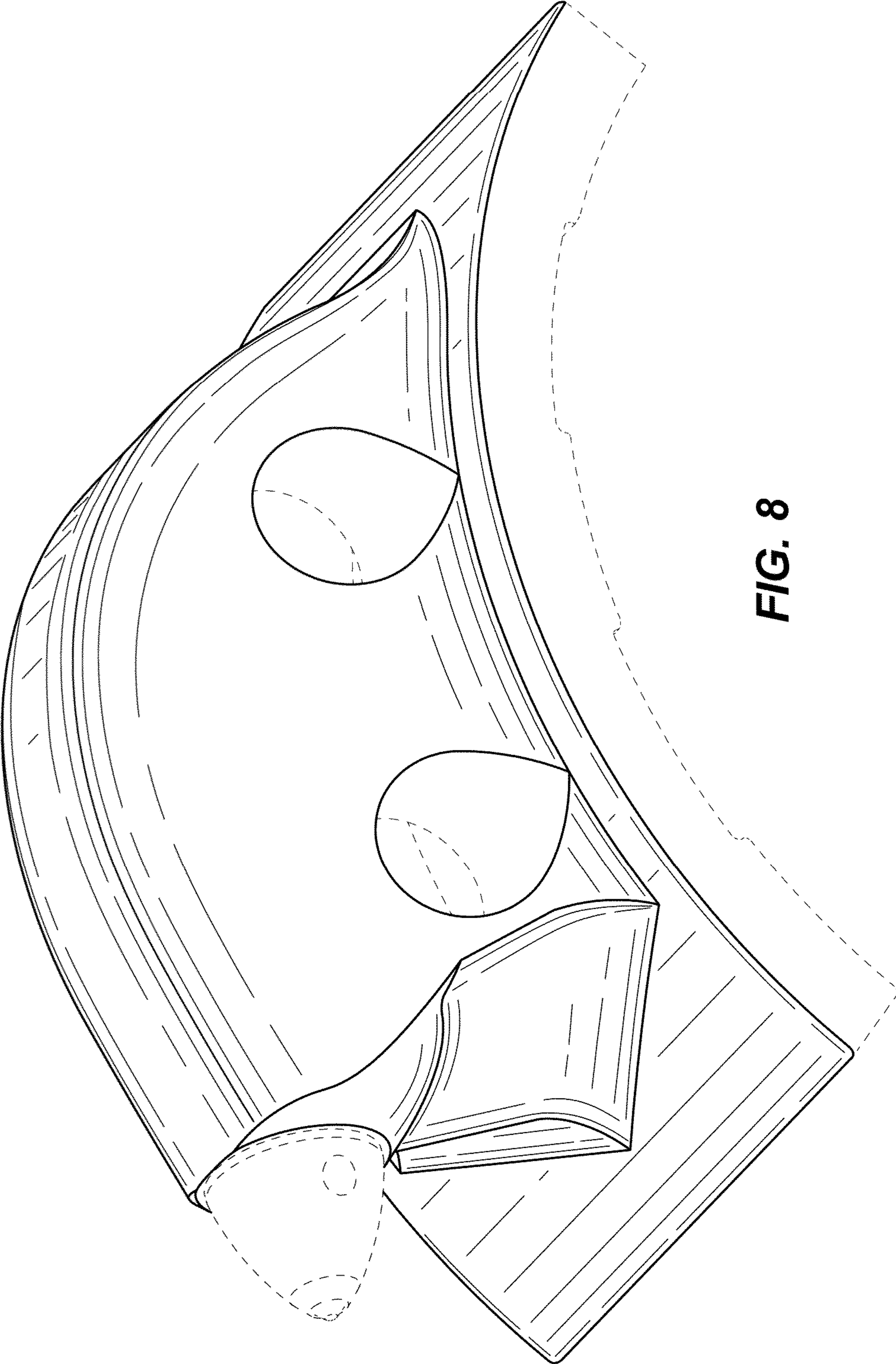


FIG. 8