



US00D720370S

(12) **United States Design Patent**  
**Carter et al.**

(10) **Patent No.:** **US D720,370 S**

(45) **Date of Patent:** **\*\* Dec. 30, 2014**

(54) **TRACTOR CAB**

(71) Applicant: **J.C. Bamford Excavators Limited,**  
Uttoxeter (GB)

(72) Inventors: **Robin Carter,** Uttoxeter (GB); **Rodney Hitch,** Uttoxeter (GB); **Stewart Dicks,** Uttoxeter (GB); **Paul Thurman,** Uttoxeter (GB); **Michael Turner,** Uttoxeter (GB); **Samuel Jilbert,** Uttoxeter (GB); **Thomas Underhill,** Uttoxeter (GB)

(73) Assignee: **J.C. Bamford Excavators Limited,**  
Uttoxeter (GA)

(\*\*) Term: **14 Years**

(21) Appl. No.: **29/481,032**

(22) Filed: **Jan. 31, 2014**

(30) **Foreign Application Priority Data**

Nov. 8, 2013 (EM) ..... 002341339

(51) **LOC (10) Cl.** ..... **15-03**

(52) **U.S. Cl.**  
USPC ..... **D15/30**

(58) **Field of Classification Search**  
USPC ..... D15/10, 22-26, 28, 30, 31; 180/89.11,  
180/89.12, 89.13, 89.19, 900; 296/190.01,  
296/190.08, 210, 190, 202  
See application file for complete search history.

(56) **References Cited**

**U.S. PATENT DOCUMENTS**

D275,199 S \* 8/1984 Schmidt et al. .... D15/30  
D288,206 S \* 2/1987 Moscovitch ..... D15/30

D323,659 S \* 2/1992 Jacobsson ..... D15/30  
D366,267 S \* 1/1996 Lepoix ..... D15/30  
D497,920 S \* 11/2004 Antonetti ..... D15/30  
D528,134 S \* 9/2006 Vandendriessche et al. .. D15/30  
D531,647 S \* 11/2006 Stender et al. .... D15/30  
D541,825 S \* 5/2007 Pettersson ..... D15/30  
D541,826 S \* 5/2007 Brush et al. .... D15/30  
D561,205 S \* 2/2008 Pettersson ..... D15/30  
D579,028 S \* 10/2008 VanDeVeer et al. .... D15/30  
D605,207 S \* 12/2009 Menges et al. .... D15/30  
D614,674 S \* 4/2010 Hobenshield et al. .... D15/30  
D635,156 S \* 3/2011 Berning et al. .... D15/30  
D637,630 S \* 5/2011 Yamamoto et al. .... D15/30  
D642,205 S \* 7/2011 Yamamoto et al. .... D15/30  
D660,881 S \* 5/2012 Bohme et al. .... D15/30  
D667,851 S \* 9/2012 Warr ..... D15/30  
D668,693 S \* 10/2012 Ringer ..... D15/30  
D671,566 S \* 11/2012 Fang et al. .... D15/30

\* cited by examiner

*Primary Examiner* — Mark Goodwin

(74) *Attorney, Agent, or Firm* — Marshall, Gerstein & Borun LLP

(57) **CLAIM**

The ornamental design for a tractor cab, as shown and described.

**DESCRIPTION**

FIG. 1 is a right-side elevation view of a tractor cab showing the new design.

FIG. 2 is a front elevation view of the tractor cab.

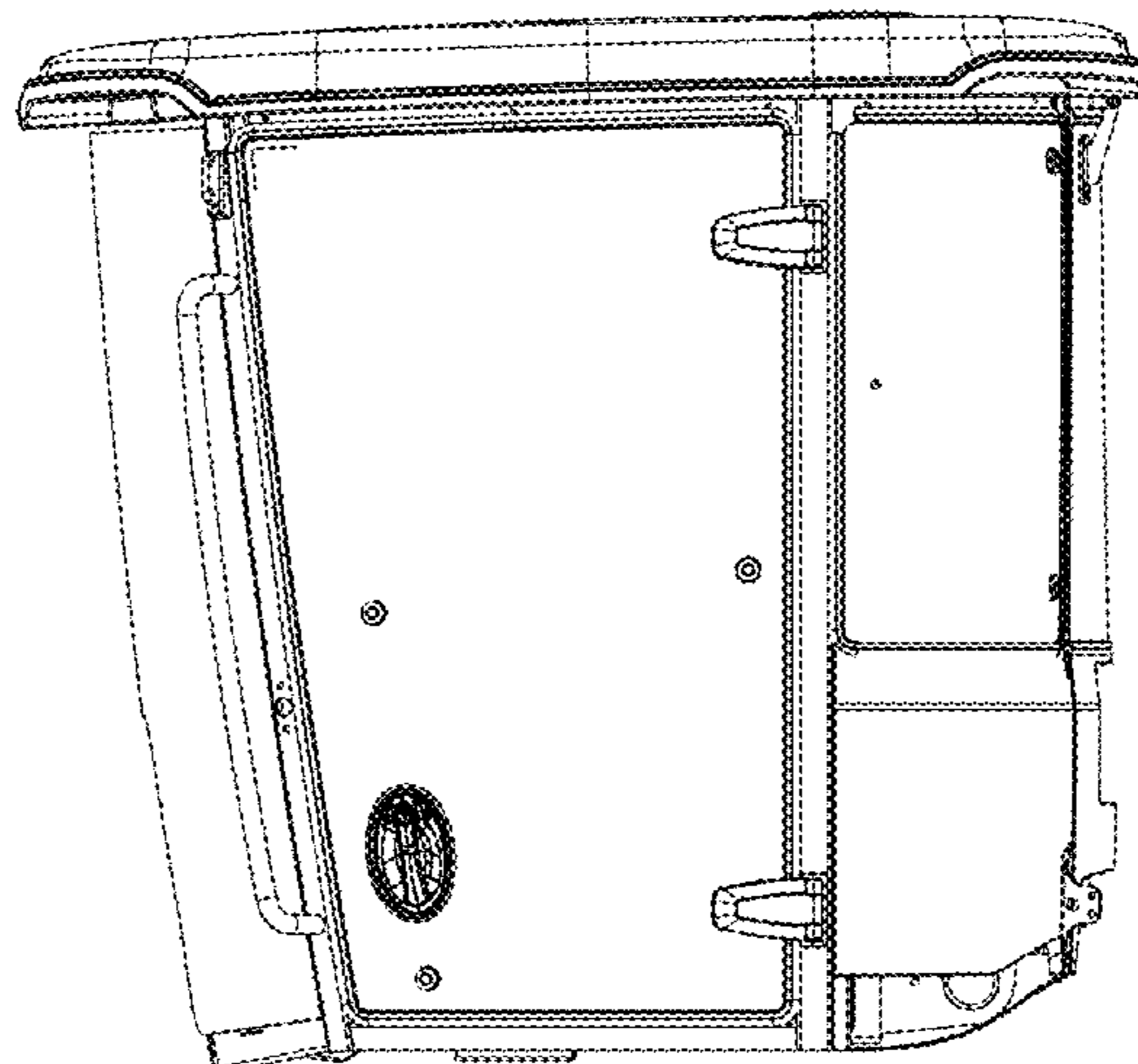
FIG. 3 is a left-side elevation view of the tractor cab.

FIG. 4 is a back elevation view of the tractor cab; and,

FIG. 5 is a top plan view of the tractor cab.

Any elements of the tractor cab that are not clearly disclosed are not part of the claimed design.

**1 Claim, 5 Drawing Sheets**



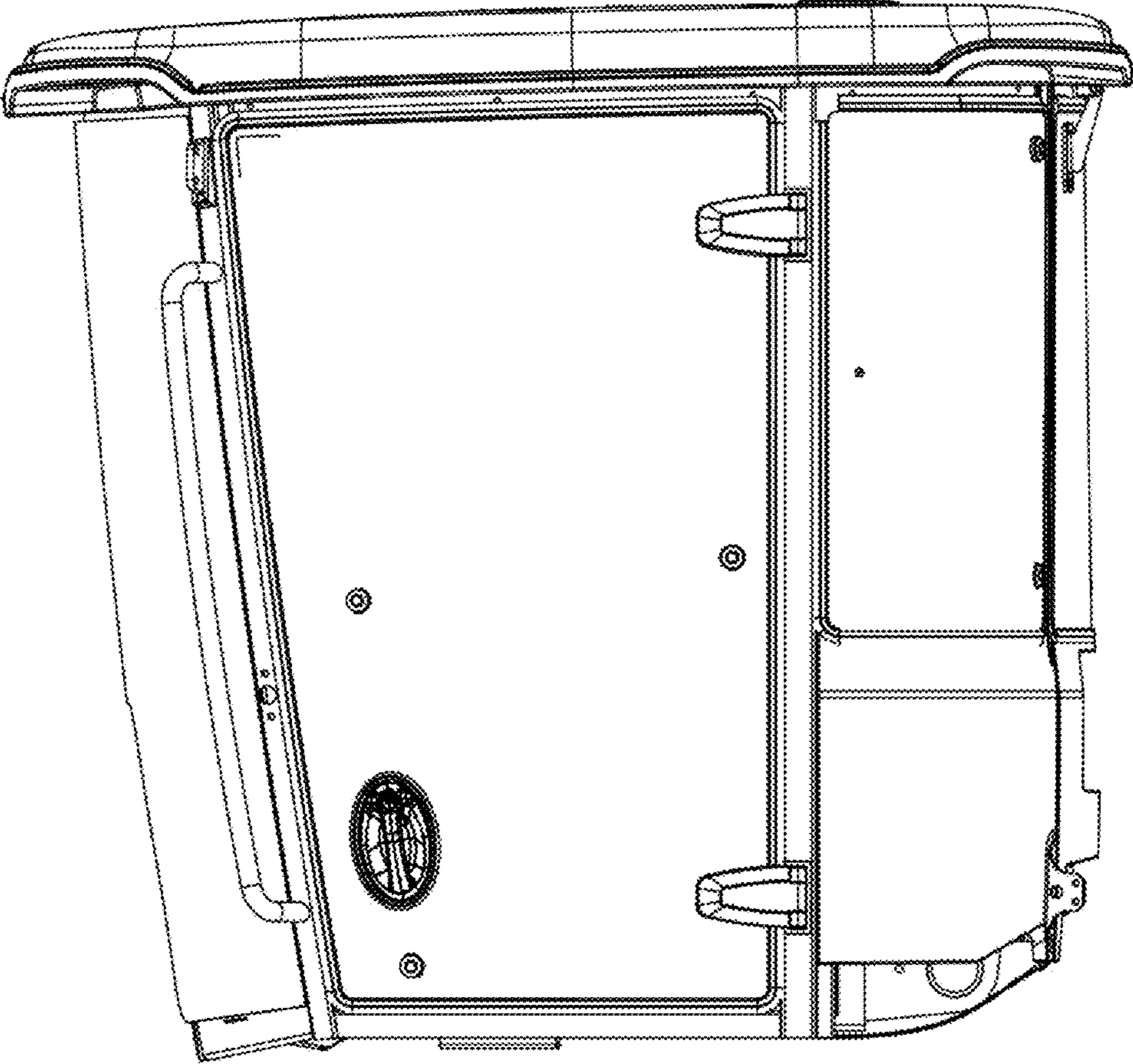


Fig. 1

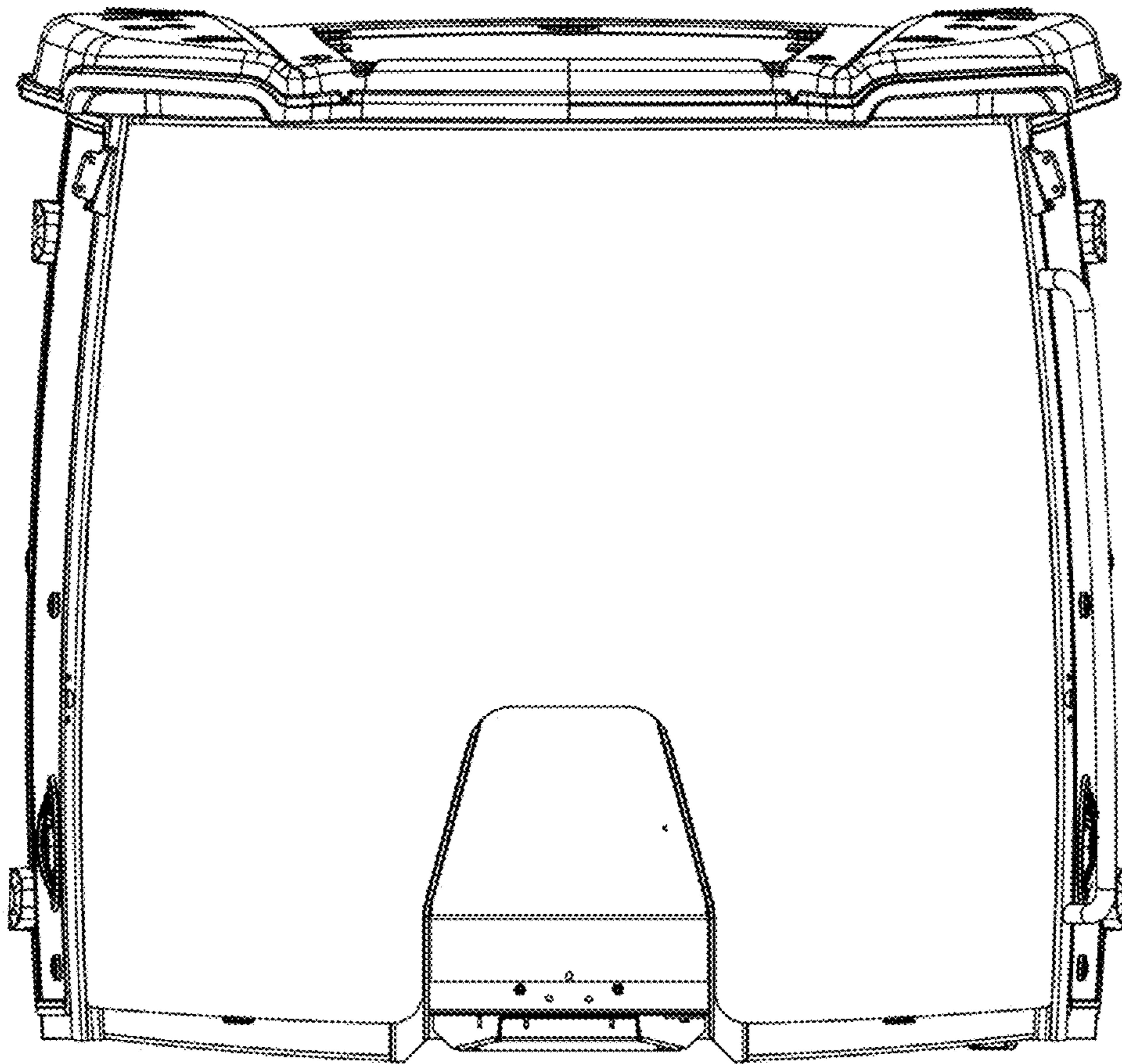


Fig. 2



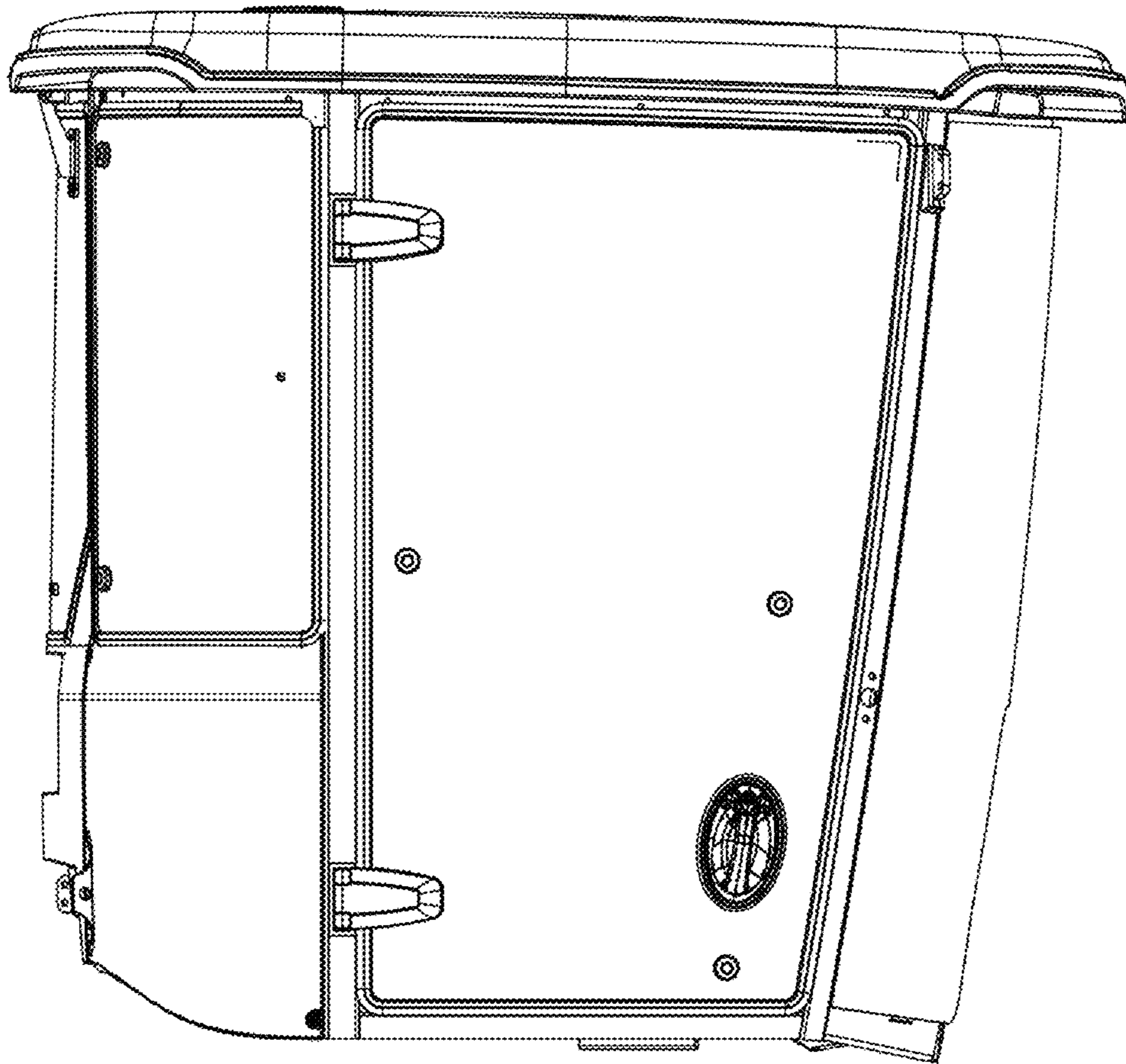


Fig. 3

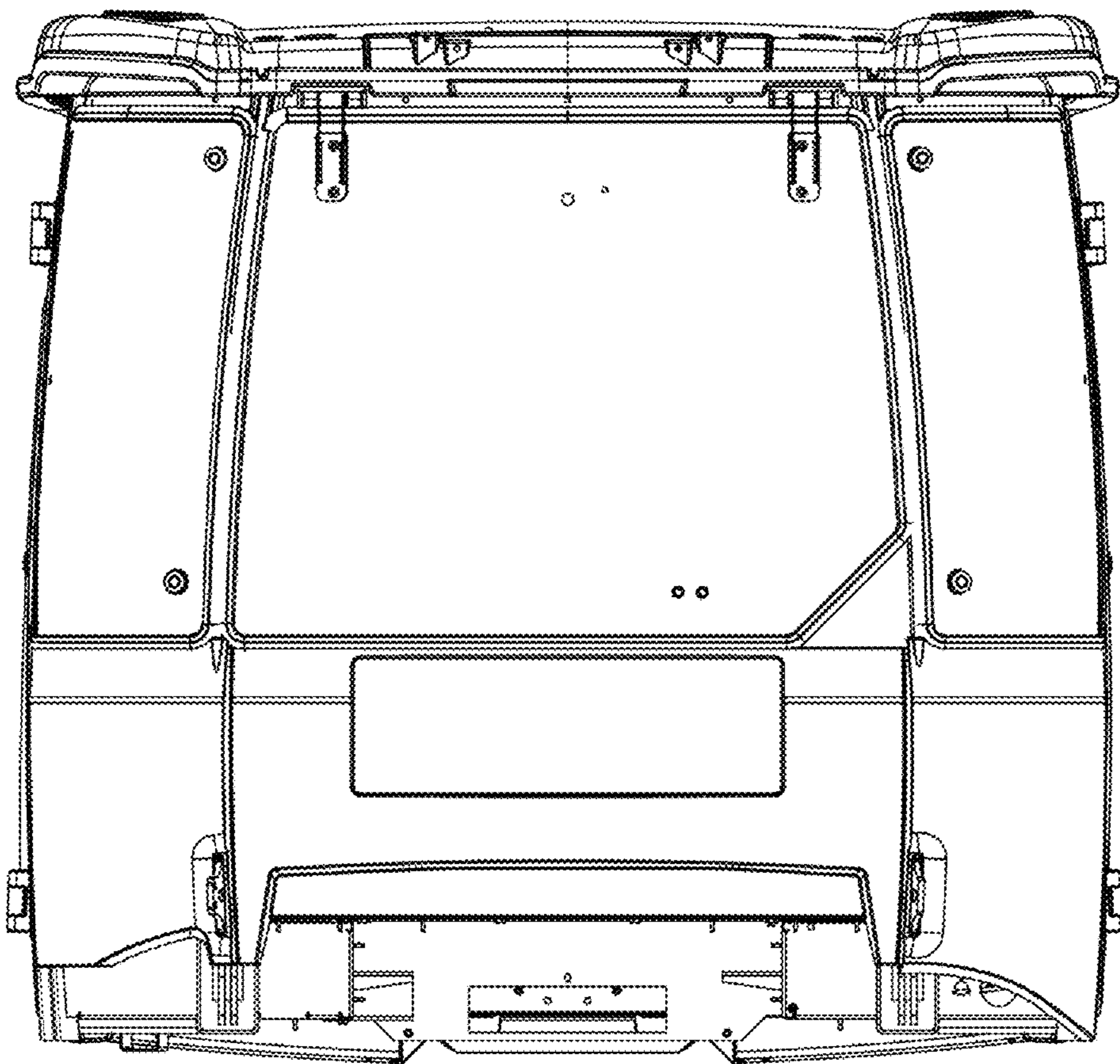


Fig. 4

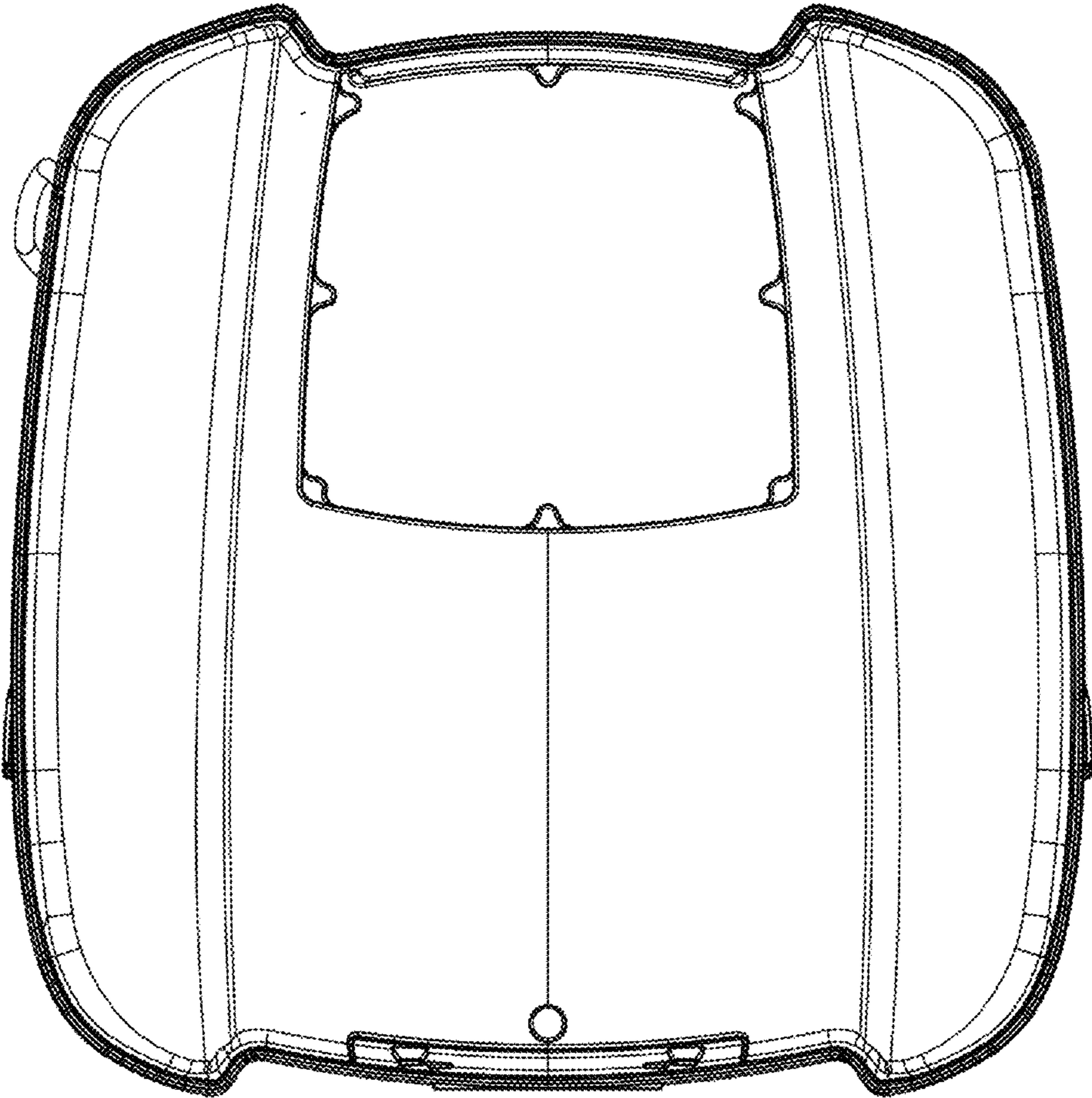


Fig. 5