

US00D720369S

(12) **United States Design Patent**
Furukawa et al.

(10) **Patent No.:** **US D720,369 S**

(45) **Date of Patent:** **** Dec. 30, 2014**

(54) **TRACTOR**

(56) **References Cited**

(71) Applicant: **Iseki & Co., Ltd.**, Matsuyama-shi,
Ehime-ken (JP)

(72) Inventors: **Koji Furukawa**, Iyo-gun (JP); **Tatsuya Shimoyama**, Iyo-gun (JP); **Kiyofumi Sakurahara**, Iyo-gun (JP); **Kenro Kinoshita**, Iyo-gun (JP); **Naohiro Ito**, Iyo-gun (JP); **Hiroshi Kamoda**, Iyo-gun (JP); **Kanako Mizuniwa**, Iyo-gun (JP); **Masami Kinoshita**, Iyo-gun (JP)

U.S. PATENT DOCUMENTS

D282,849	S	*	3/1986	Funabashi	D15/23
D326,858	S	*	6/1992	Skeel et al.	D15/25
D364,408	S	*	11/1995	Bryant et al.	D15/25
D378,755	S	*	4/1997	Kato et al.	D15/23
D410,930	S	*	6/1999	Kim et al.	D15/25
D438,546	S	*	3/2001	Katoh et al.	D15/23
D501,487	S	*	2/2005	Katoh et al.	D15/23
D513,268	S	*	12/2005	Wang et al.	D15/23
D526,335	S	*	8/2006	Kuwae et al.	D15/23
D547,333	S	*	7/2007	Nishi et al.	D15/23
D553,159	S	*	10/2007	Higashikawa et al.	D15/23
D558,797	S	*	1/2008	Yamamoto et al.	D15/26
D581,953	S	*	12/2008	Matsumoto et al.	D15/23
D599,826	S	*	9/2009	Kuwae	D15/26
D600,255	S	*	9/2009	Kushita et al.	D15/26
D605,668	S	*	12/2009	Matsumoto et al.	D15/23
D613,313	S	*	4/2010	Bhanuprakash	D15/23
D678,353	S	*	3/2013	Kakudate et al.	D15/23

(73) Assignee: **Iseki & Co., Ltd.**, Matsuyama-shi,
Ehime-ken (JP)

(**) Term: **14 Years**

* cited by examiner

(21) Appl. No.: **29/495,151**

Primary Examiner — Mark Goodwin

(22) Filed: **Jun. 27, 2014**

(74) *Attorney, Agent, or Firm* — Banner & Witcoff, Ltd.

(30) **Foreign Application Priority Data**

(57) **CLAIM**

The ornamental design for a tractor, as shown and described.

Jan. 7, 2014 (JP) 2014-000073

DESCRIPTION

(51) **LOC (10) Cl.** **12-09**

FIG. 1 is a perspective view of the front and right side of a tractor showing our new design;
FIG. 2 is a front view thereof;
FIG. 3 is a rear view thereof;
FIG. 4 is a right side view thereof;
FIG. 5 is a left side view thereof; and,
FIG. 6 is a top view thereof.
The bottom view of the tractor is omitted and forms no part of the claimed design because it is unornamented.

(52) **U.S. Cl.**

USPC **D15/23; D15/26**

(58) **Field of Classification Search**

USPC D15/10, 14-17, 22-26, 28, 30, 31;
D12/173; 56/13.4, 13.3, 15.8, 15.9,
56/16.1, 16.7, 175, 202, 320.1; 180/89.1,
180/89.12, 900, 69.2, 68.1, 69.1

See application file for complete search history.

1 Claim, 6 Drawing Sheets



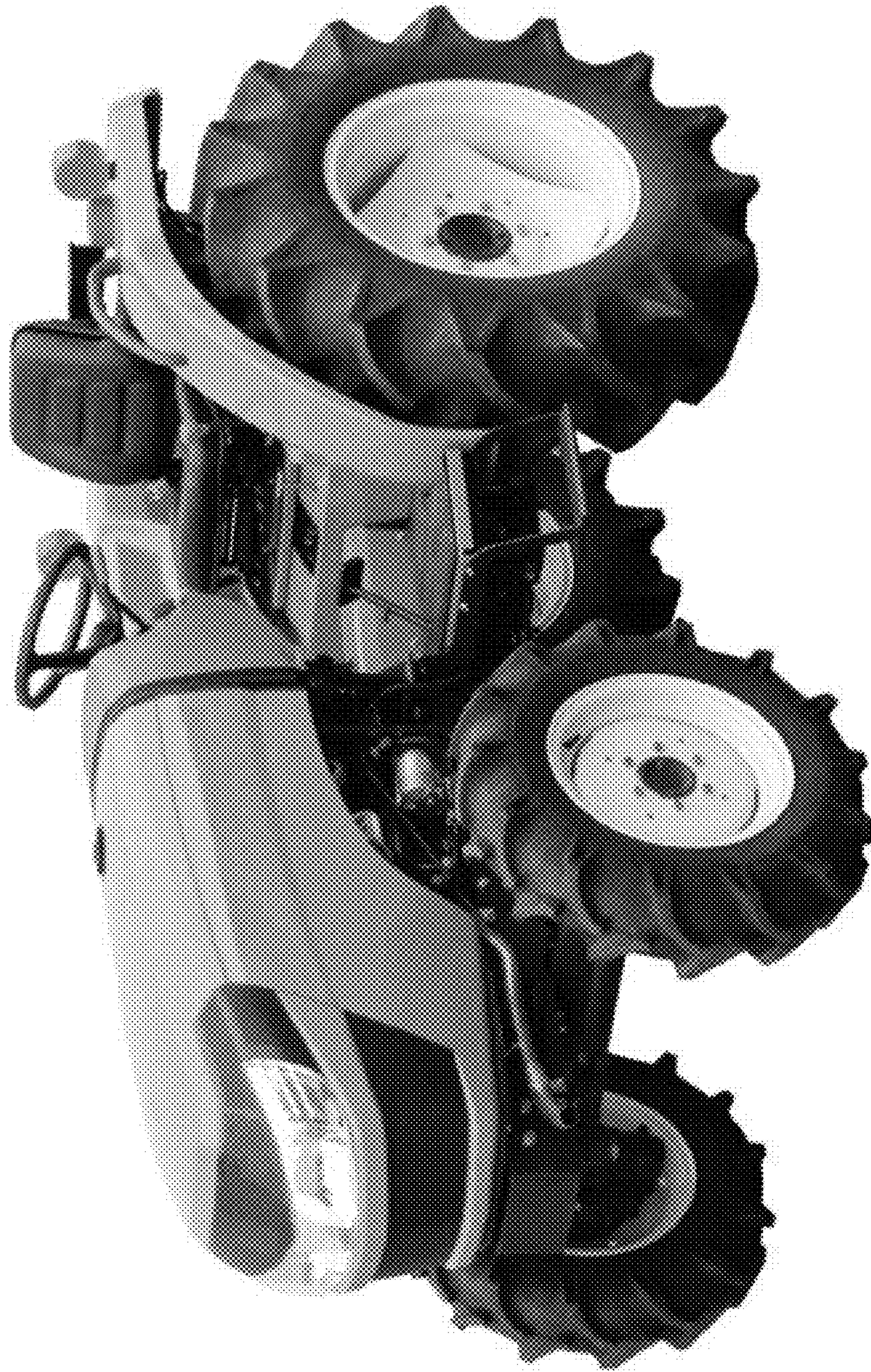


FIG. 1

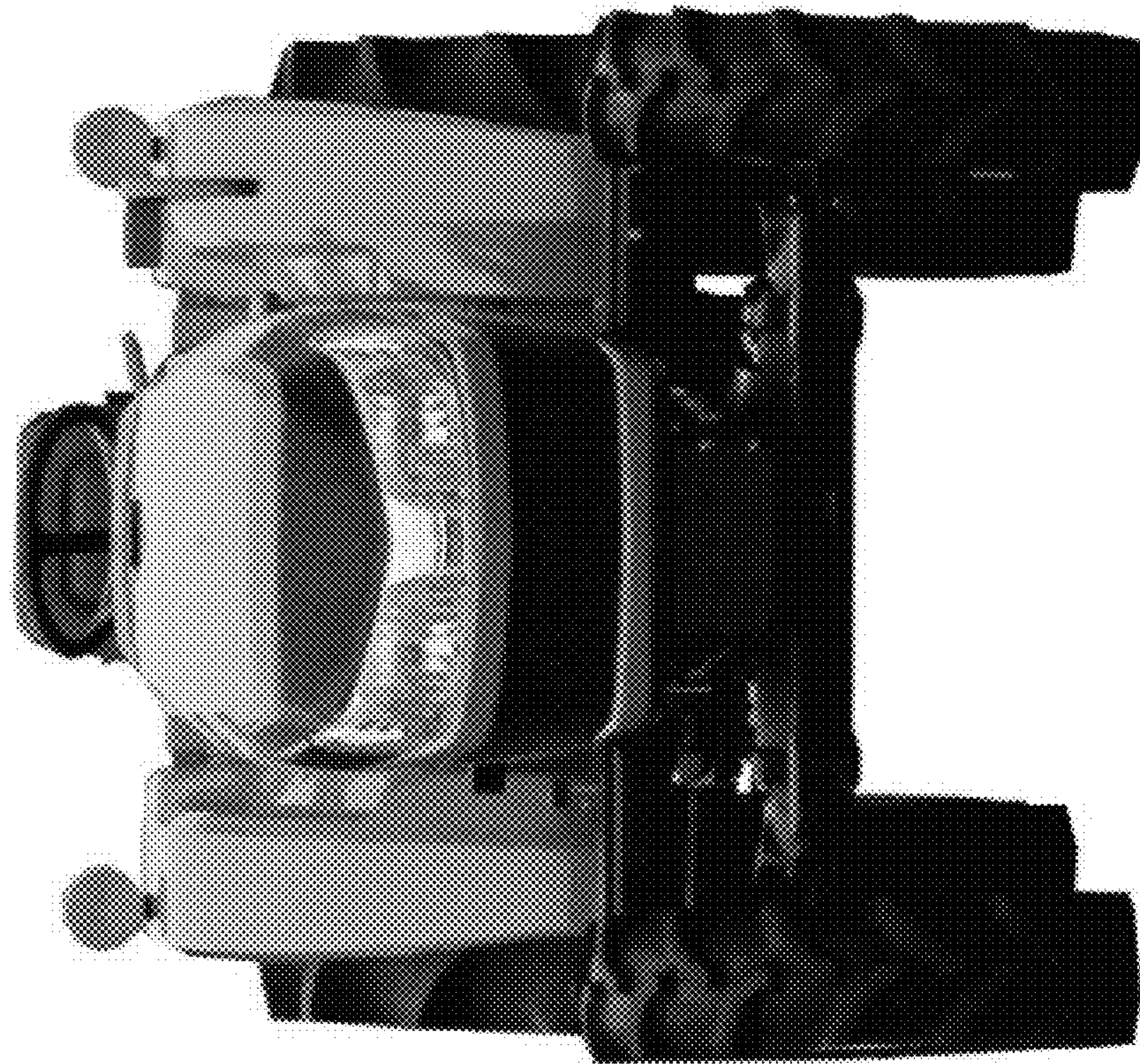


FIG. 2

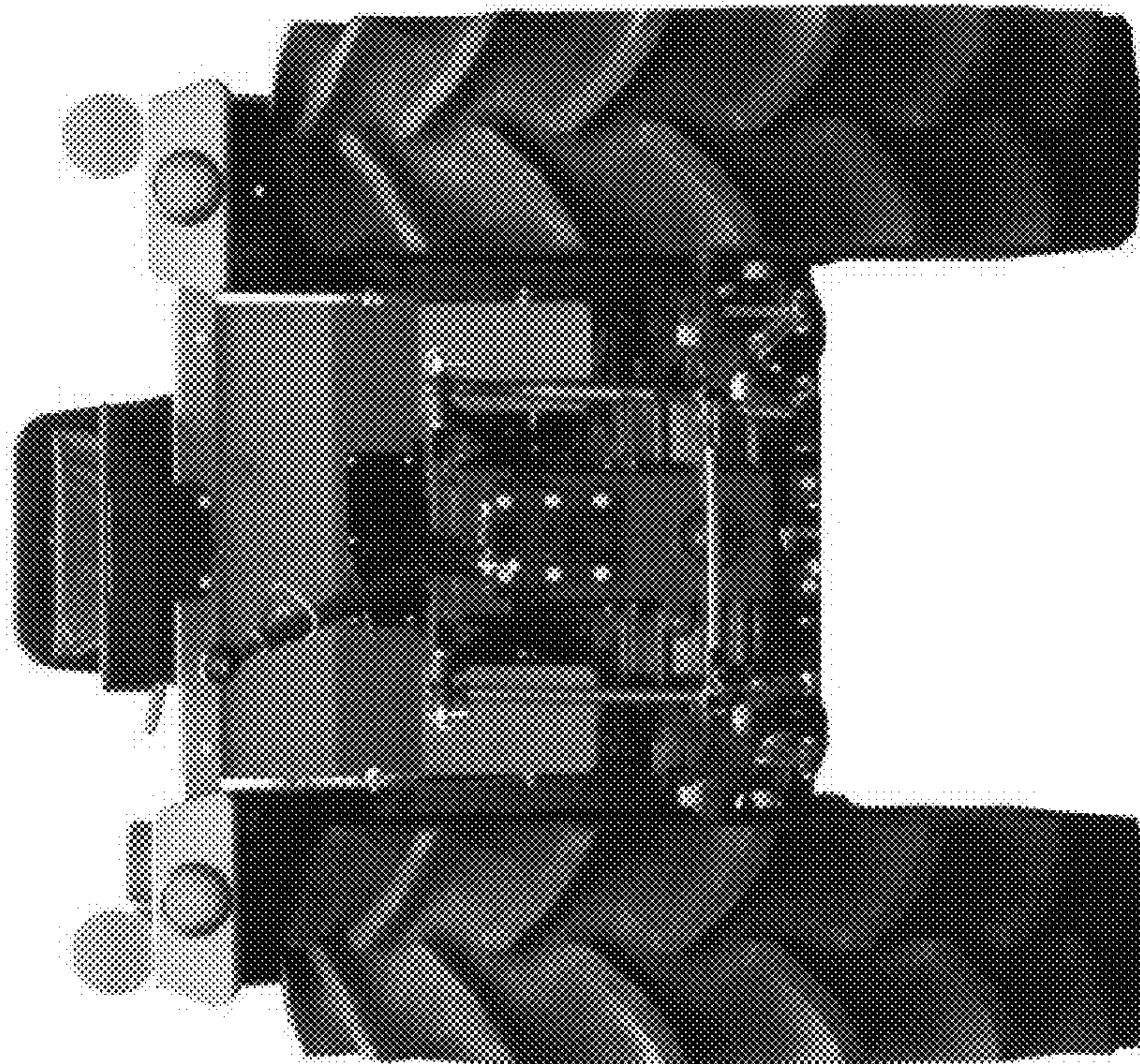


FIG. 3

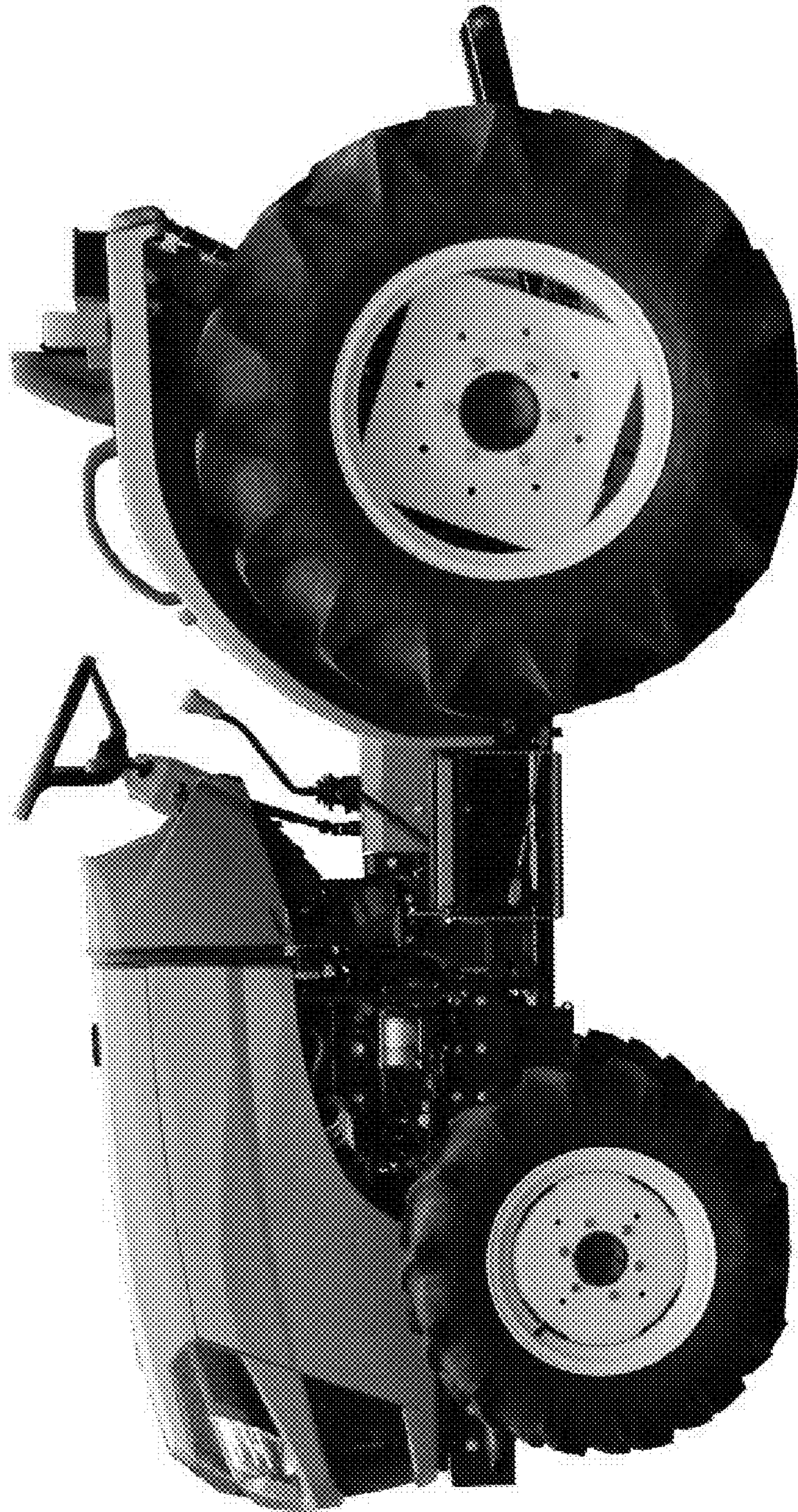


FIG. 4

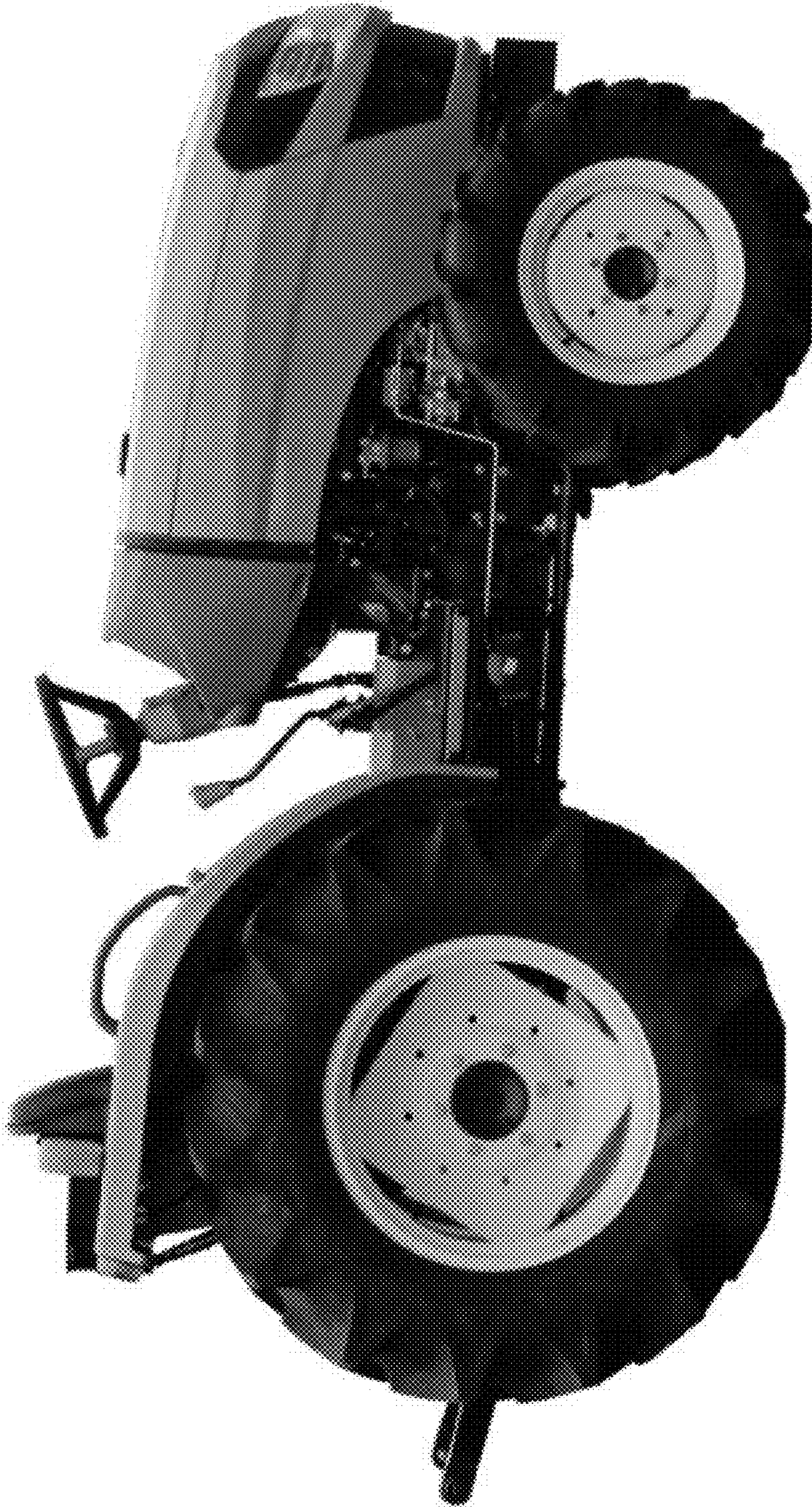


FIG. 5

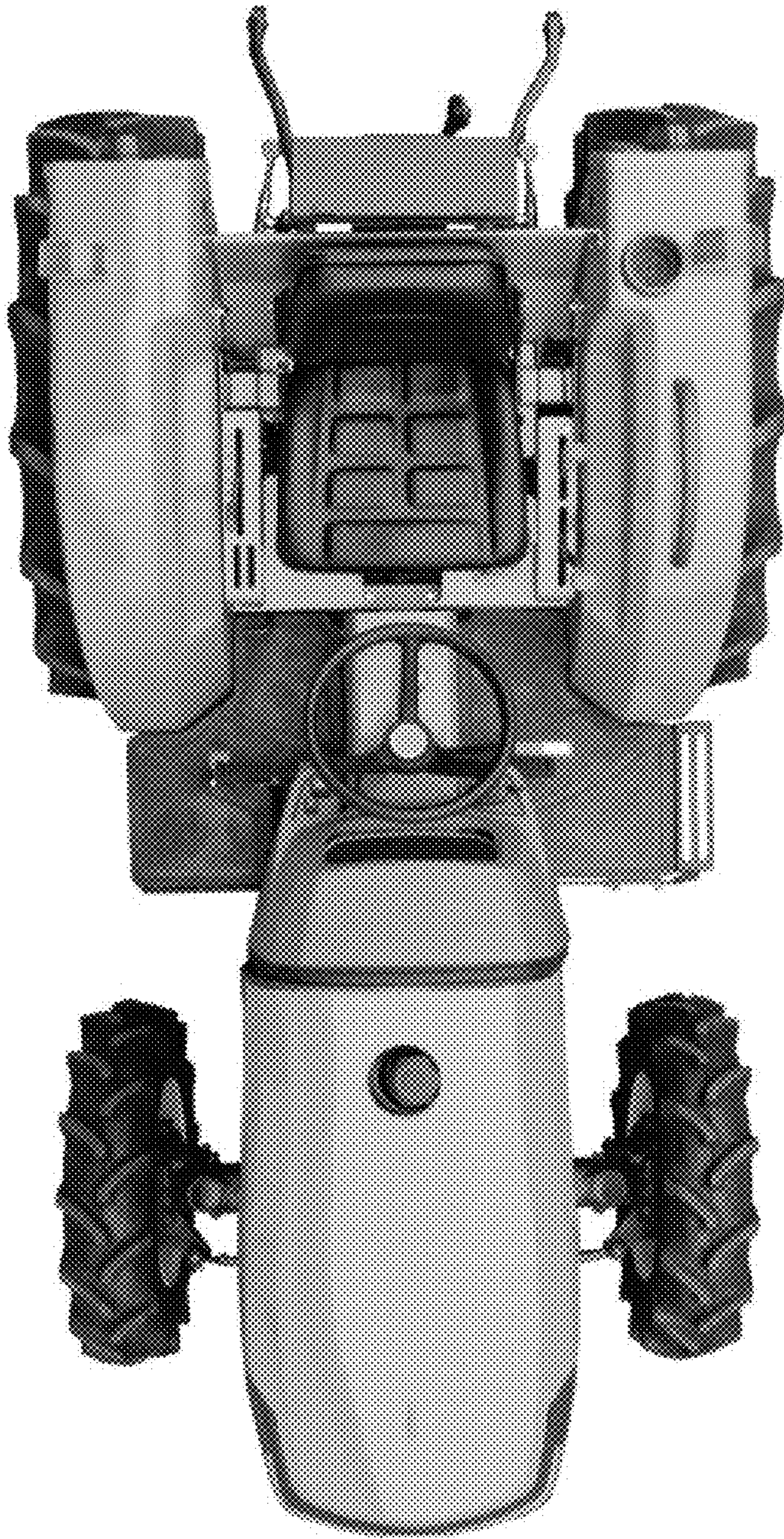


FIG. 6