



US00D720368S

(12) **United States Design Patent**
Daniel

(10) **Patent No.:** **US D720,368 S**

(45) **Date of Patent:** **** Dec. 30, 2014**

(54) **COMPUTER SCREEN WITH ICON**

(71) Applicant: **Isaac S. Daniel**, Miramar, FL (US)

(72) Inventor: **Isaac S. Daniel**, Miramar, FL (US)

(**) Term: **14 Years**

(21) Appl. No.: **29/483,764**

(22) Filed: **Mar. 3, 2014**

Related U.S. Application Data

(62) Division of application No. 29/428,651, filed on Aug. 1, 2012.

(51) **LOC (10) Cl.** **14-04**

(52) **U.S. Cl.**
USPC **D14/489**

(58) **Field of Classification Search**
CPC G06F 3/0481; G06F 3/0482; G06F 3/048;
G06F 3/0486; G06F 3/04817
USPC D14/485-495
See application file for complete search history.

(56) **References Cited**

U.S. PATENT DOCUMENTS

D397,101 S *	8/1998	Bier	D14/489
D452,692 S *	1/2002	Fukuda	D14/489
D474,195 S *	5/2003	Kates et al.	D14/485
D493,471 S *	7/2004	McIntosh	D14/485
D497,617 S *	10/2004	Decombe et al.	D14/486
D500,049 S *	12/2004	Porat et al.	D14/486
6,834,394 B2 *	12/2004	MacDonald	2/9
7,119,818 B2 *	10/2006	Takiguchi	715/764
D545,324 S *	6/2007	Decombe	D14/485
D553,147 S *	10/2007	Hally et al.	D14/487
D562,845 S *	2/2008	Armstrong et al.	D14/490
7,467,351 B1 *	12/2008	Spells et al.	715/243
D588,154 S *	3/2009	Bouchard et al.	D14/489

7,516,416 B2 *	4/2009	Viswanathan et al.	715/781
D593,120 S *	5/2009	Bouchard et al.	D14/489
D593,122 S *	5/2009	Danton	D14/489
D602,950 S *	10/2009	Arnell	D14/490
D606,552 S *	12/2009	Kocmick	D14/492
D615,551 S *	5/2010	Arnell	D14/490
D619,593 S *	7/2010	Fujioka et al.	D14/485
D622,281 S *	8/2010	Maitlen et al.	D14/485
D623,658 S *	9/2010	Fitzmaurice et al.	D14/489
D624,933 S *	10/2010	Fitzmaurice et al.	D14/489
D627,360 S *	11/2010	Aarseth	D14/485
D627,791 S *	11/2010	Lamb et al.	D14/489
D628,584 S *	12/2010	Umezawa	D14/489
D637,197 S *	5/2011	Ray et al.	D14/486
D644,242 S *	8/2011	Matas	D14/489
D644,243 S *	8/2011	Matas	D14/489
8,020,092 B1 *	9/2011	Spells et al.	715/243
D650,796 S *	12/2011	Rincover et al.	D14/492
D651,611 S *	1/2012	Ouilhet et al.	D14/489
D659,708 S *	5/2012	Amos	D14/489
D665,423 S *	8/2012	Impas et al.	D14/493

(Continued)

Primary Examiner — Kevin Rudzinski

(74) *Attorney, Agent, or Firm* — Carol N. Green Kaul

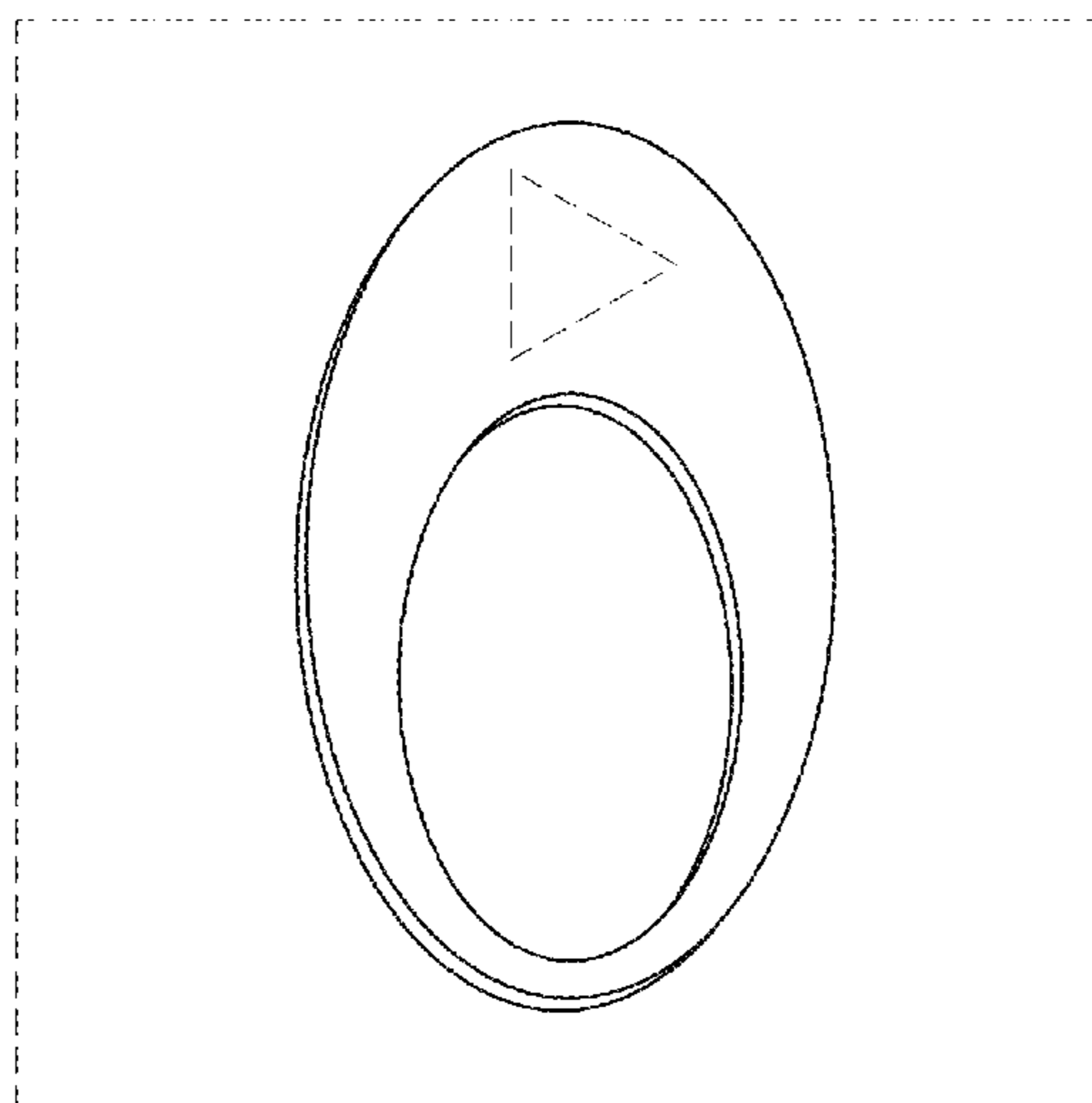
(57) **CLAIM**

The ornamental design for a computer screen with icon, as shown and described.

DESCRIPTION

FIG. 1 is a front view of a computer screen with icon.
FIG. 2 is a perspective view of the computer screen with icon.
FIG. 3 is a second perspective view of the computer screen with icon; and,
FIG. 4 is another embodiment of the computer screen with icon.
The broken lines in FIGS. 1-4 illustrating the computer screen and portions of the icon are included for environmental purposes only and form no part of the claimed design.

1 Claim, 2 Drawing Sheets



(56)

References Cited

U.S. PATENT DOCUMENTS

D667,428 S *	9/2012	Wujcik et al.	D14/489	D697,523 S *	1/2014	Oda et al.	D14/486
D667,435 S *	9/2012	Majeti et al.	D14/492	D698,818 S *	2/2014	Laverack et al.	D14/489
D670,310 S *	11/2012	Saito	D14/489	D699,747 S *	2/2014	Pearson et al.	D14/488
D674,994 S *	1/2013	Danner	D2/891	D699,748 S *	2/2014	Pearson et al.	D14/488
D677,693 S *	3/2013	Koehn et al.	D14/492	D699,749 S *	2/2014	Pearson et al.	D14/488
D681,661 S *	5/2013	Koehn et al.	D14/488	D699,750 S *	2/2014	Pearson et al.	D14/488
D681,669 S *	5/2013	Phelan	D14/489	D700,207 S *	2/2014	Pearson et al.	D14/488
D684,188 S *	6/2013	Kocmick et al.	D14/491	D701,879 S *	4/2014	Foit et al.	D14/488
D684,189 S *	6/2013	Ridl et al.	D14/491	D702,707 S *	4/2014	Kotler et al.	D14/487
D687,060 S *	7/2013	Daniel	D14/489	8,700,994 B1 *	4/2014	Spells et al.	715/243
D693,366 S *	11/2013	Daniel	D14/489	D706,293 S *	6/2014	Bautista	D14/489
D693,367 S *	11/2013	Daniel	D14/489	D706,295 S *	6/2014	Daniel	D14/489
D693,846 S *	11/2013	Daniel	D14/489	D708,203 S *	7/2014	Johnson	D14/487
D694,261 S *	11/2013	Daniel	D14/489	D709,091 S *	7/2014	Kwon et al.	D14/489
D697,076 S *	1/2014	Oda et al.	D14/486	D711,896 S *	8/2014	Hanson et al.	D14/485
				2005/0166162 A1 *	7/2005	Kaneko	715/856
				2007/0192725 A1 *	8/2007	Chen et al.	715/779
				2009/0273610 A1 *	11/2009	Busch et al.	345/619

* cited by examiner

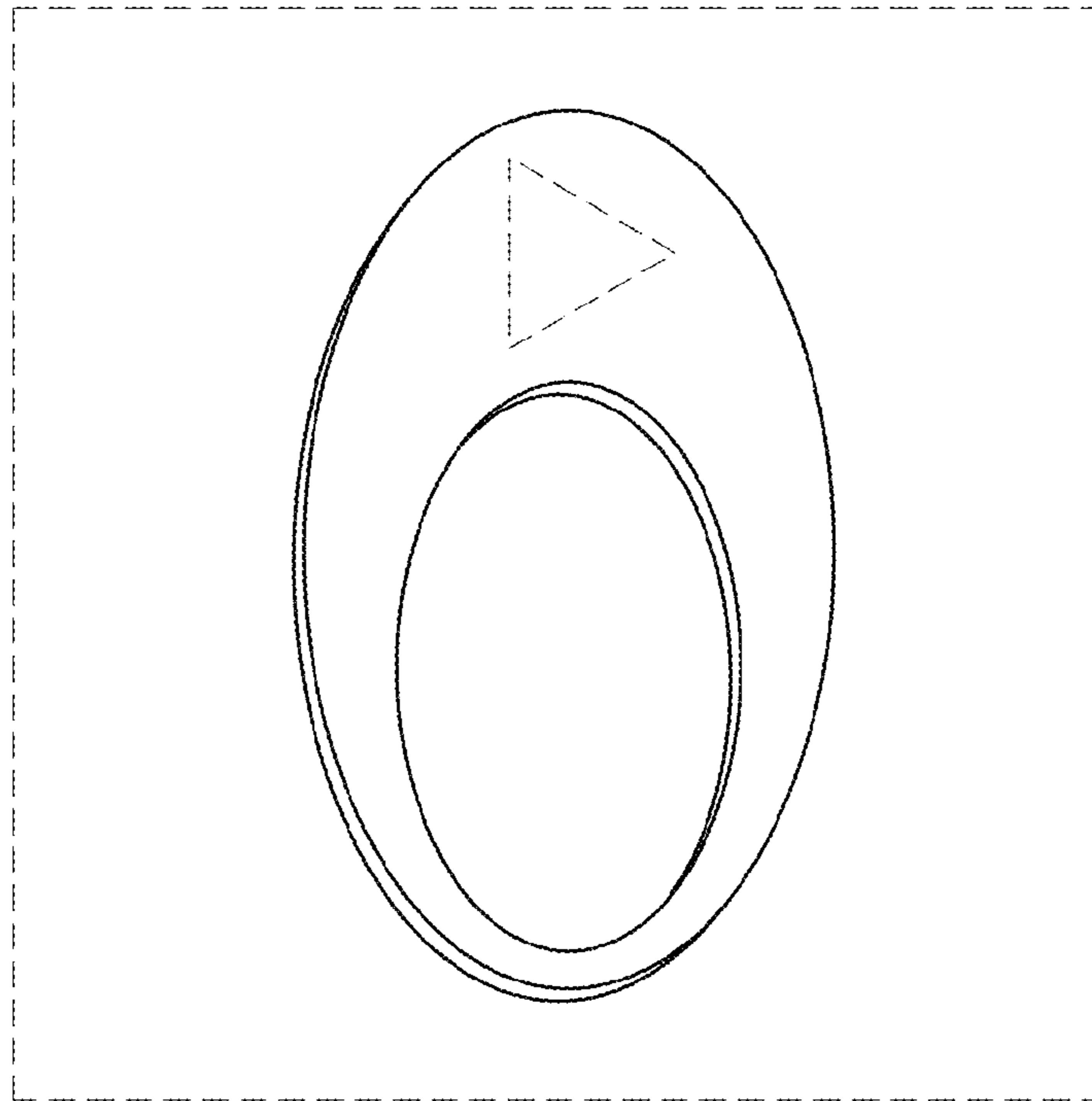


FIG. 1

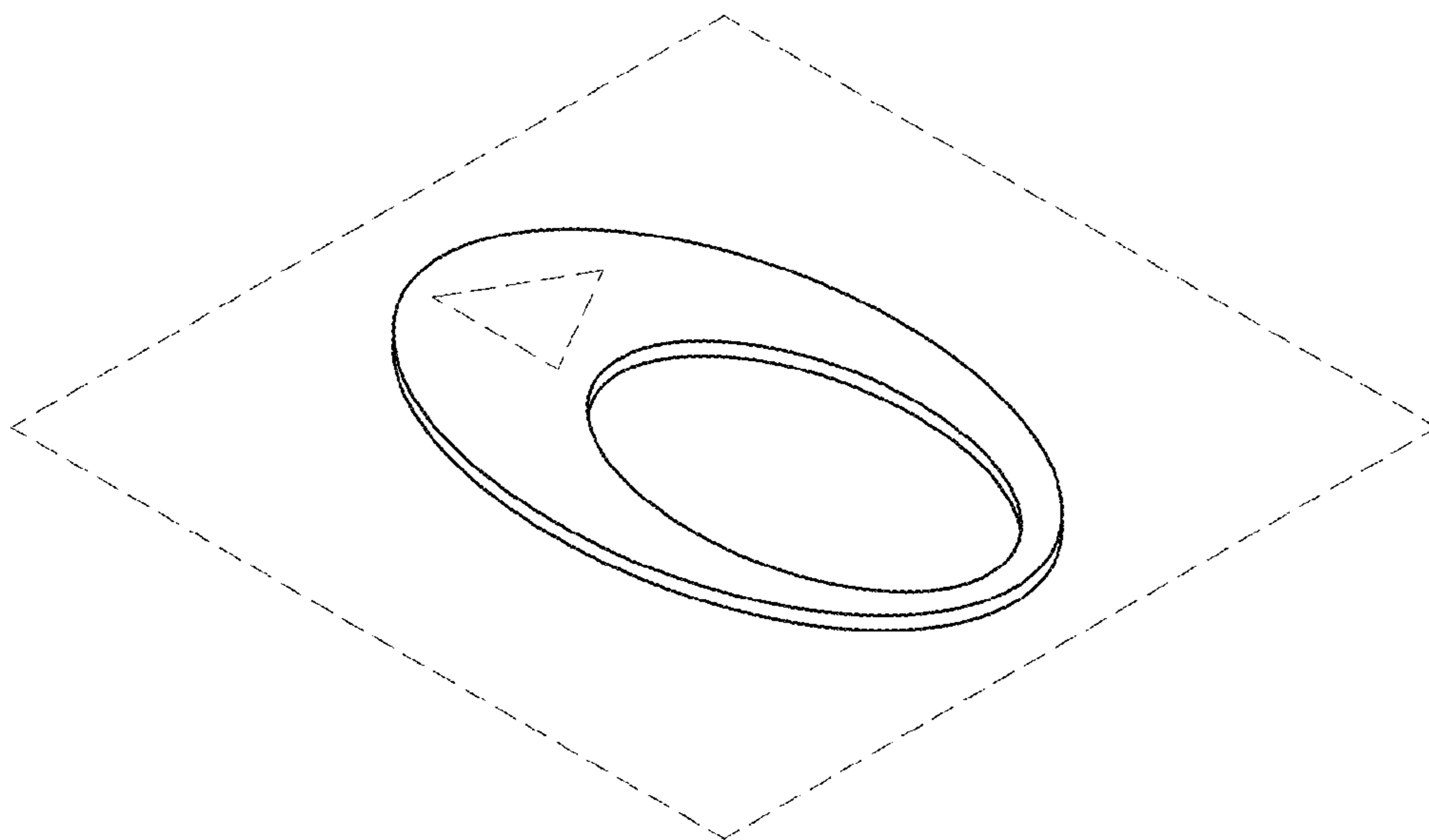


FIG. 2

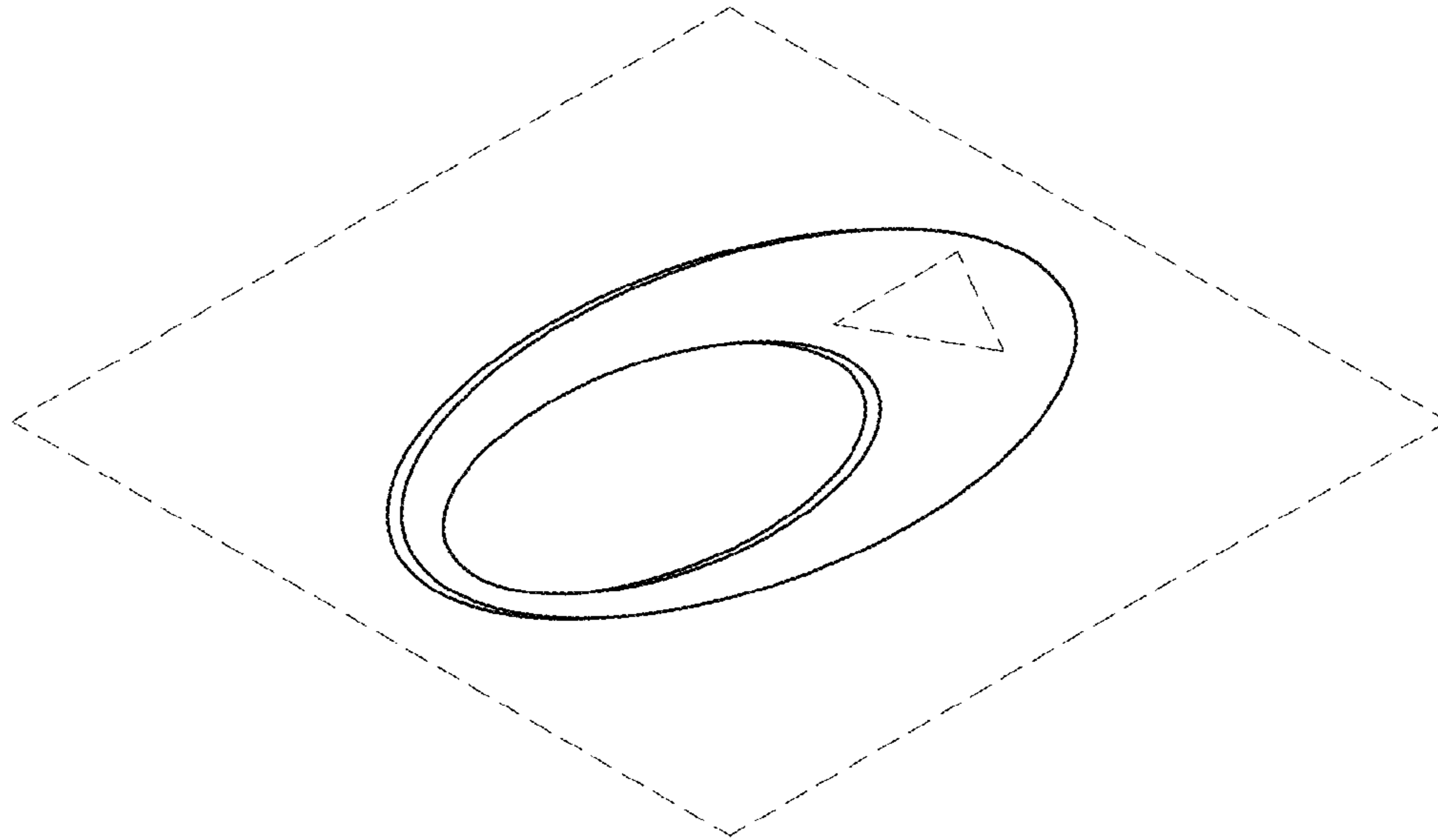


FIG. 3

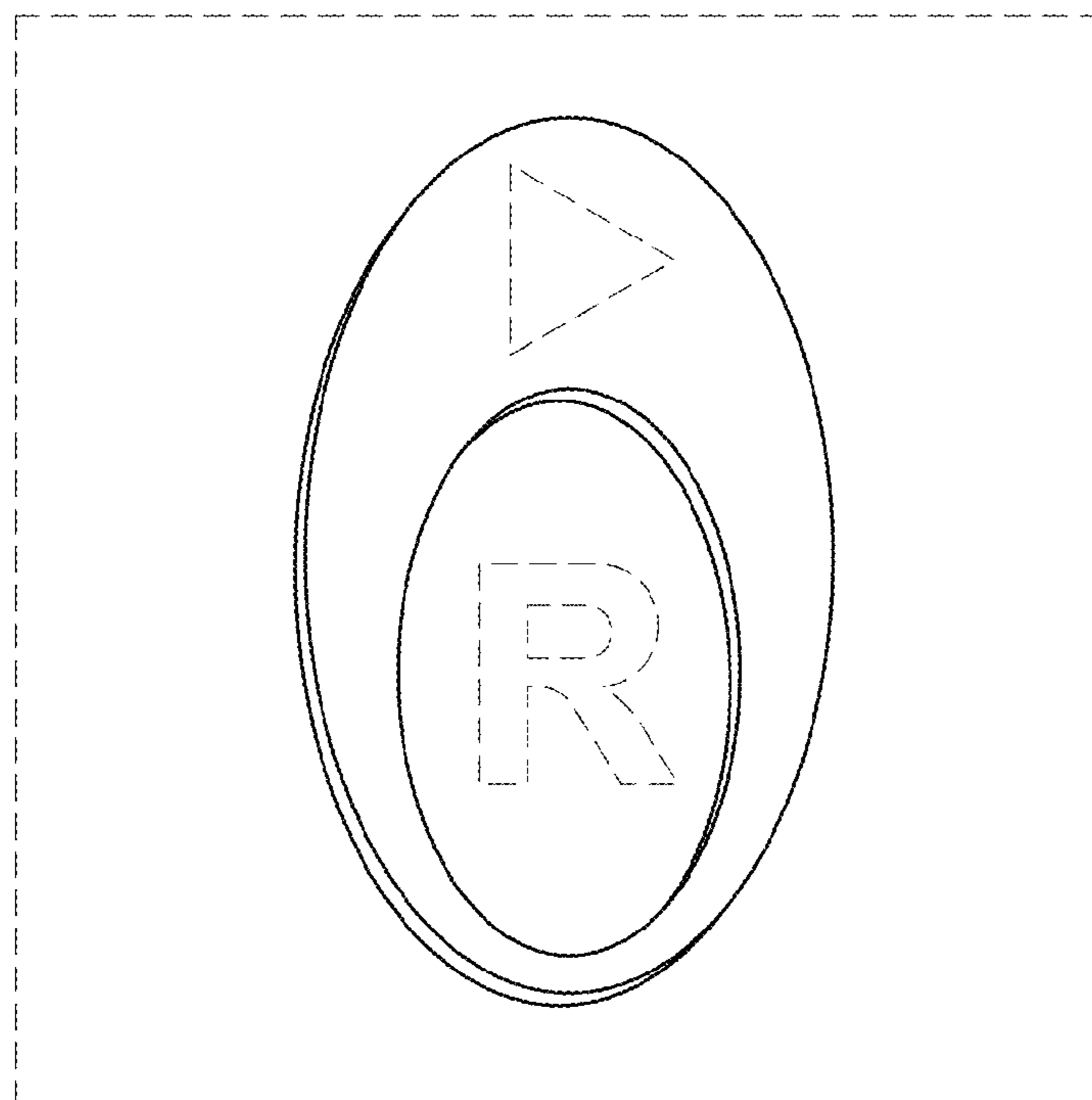


FIG. 4