



US00D720357S

(12) **United States Design Patent**  
**Kwon et al.**

(10) **Patent No.:** **US D720,357 S**  
(45) **Date of Patent:** **\*\* Dec. 30, 2014**

(54) **FACEPLATE FOR A SERVER**

(71) Applicant: **Western Digital Technologies, Inc.**,  
Irvine, CA (US)

(72) Inventors: **Tom H. Kwon**, Santa Ana, CA (US);  
**Steven T. Peng**, Irvine, CA (US)

(73) Assignee: **Western Digital Technologies, Inc.**,  
Irvine, CA (US)

(\*\*) Term: **14 Years**

(21) Appl. No.: **29/455,879**

(22) Filed: **May 24, 2013**

(51) **LOC (10) Cl.** ..... **14-02**

(52) **U.S. Cl.**  
USPC ..... **D14/445**

(58) **Field of Classification Search**  
CPC ..... G06F 1/18  
USPC ..... D14/441-446, 313, 349, 356, 360-368,  
D14/301; D13/162, 184, 199; 312/223.2;  
360/99.01-99.12; 361/679.31-679.33,  
361/679.55; 369/34.01, 36.01  
See application file for complete search history.

(56) **References Cited**

U.S. PATENT DOCUMENTS

D396,031 S *	7/1998	Chiodo et al.	.....	D14/308
D511,521 S *	11/2005	Schmidt et al.	.....	D14/441
D535,298 S *	1/2007	Cochrane	.....	D14/444
D585,440 S *	1/2009	Alfonso et al.	.....	D14/313
D643,434 S *	8/2011	Grady et al.	.....	D14/442
D647,521 S *	10/2011	Takeda et al.	.....	D14/300

\* cited by examiner

Primary Examiner — Freda S Nunn

(57) **CLAIM**

The ornamental design for a faceplate for a server, as shown and described.

**DESCRIPTION**

FIG. 1 is a top, front and side perspective view of a first embodiment of a faceplate for a server embodying the new design which shows the faceplate attached to a server.

FIG. 2 is a top view thereof.

FIG. 3 is a bottom view thereof.

FIG. 4 is a first side view thereof.

FIG. 5 is a second side view thereof.

FIG. 6 is a front view thereof.

FIG. 7 is a back view thereof.

FIG. 8 is a top, front and side perspective view of the first embodiment of the faceplate for a server which shows the faceplate detached from a server.

FIG. 9 is a top view thereof.

FIG. 10 is a bottom view thereof.

FIG. 11 is a front view thereof.

FIG. 12 is a back view thereof.

FIG. 13 is a first side view thereof.

FIG. 14 is a second side view thereof.

FIG. 15 is a top, front and side perspective view of a second embodiment of a faceplate for a server embodying the new design.

FIG. 16 is a top view thereof.

FIG. 17 is a bottom view thereof.

FIG. 18 is a front view thereof.

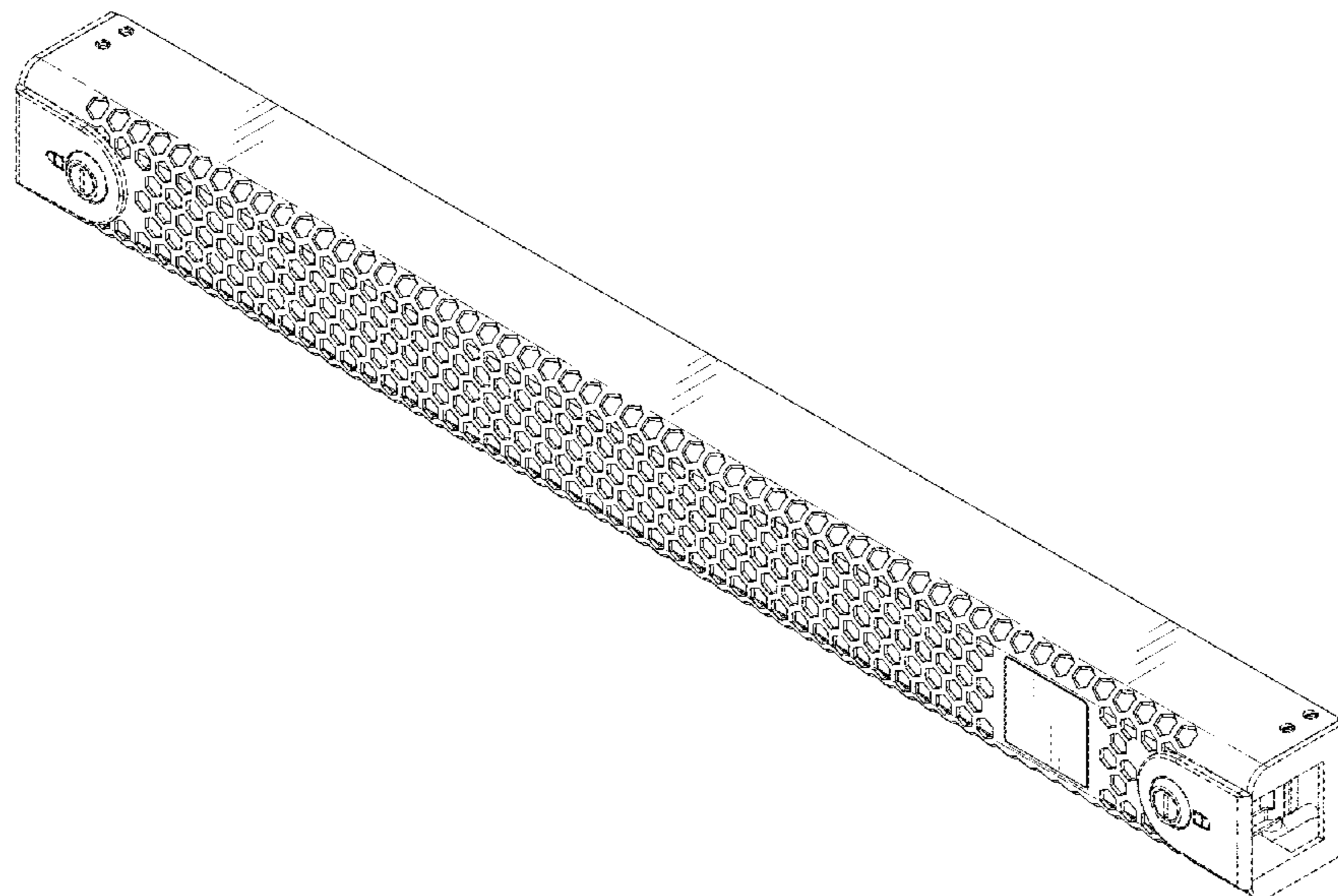
FIG. 19 is a back view thereof.

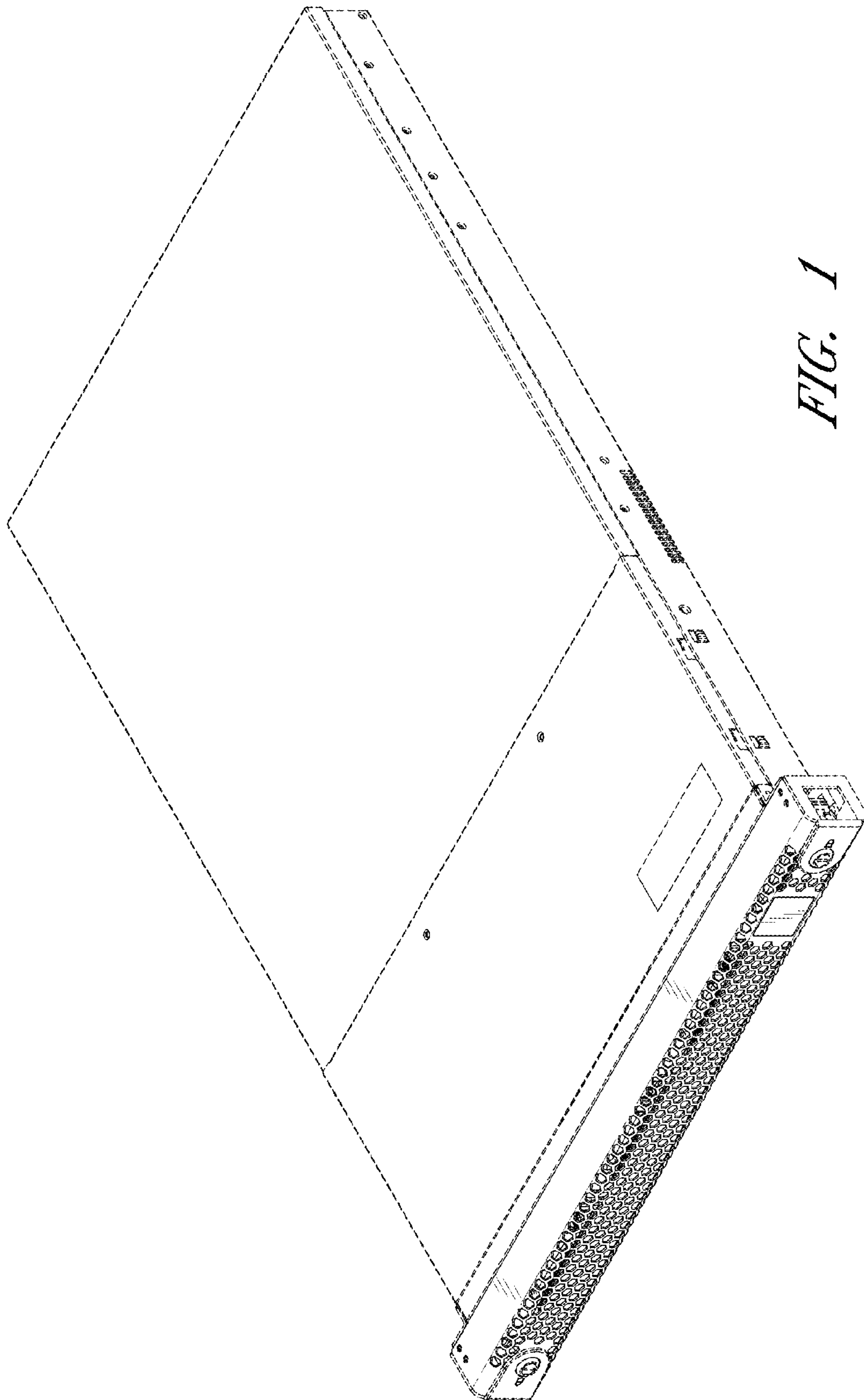
FIG. 20 is a first side view thereof; and,

FIG. 21 is a second side view thereof.

Broken lines are used to illustrate features of the faceplate for a server which form no part of the claimed design. In FIGS. 1-7 a server is shown to represent the environment of the faceplate for a server which forms no part of the claimed design. The dot-dash line of FIGS. 15-21 illustrates an unclaimed boundary.

**1 Claim, 9 Drawing Sheets**





*FIG. 1*

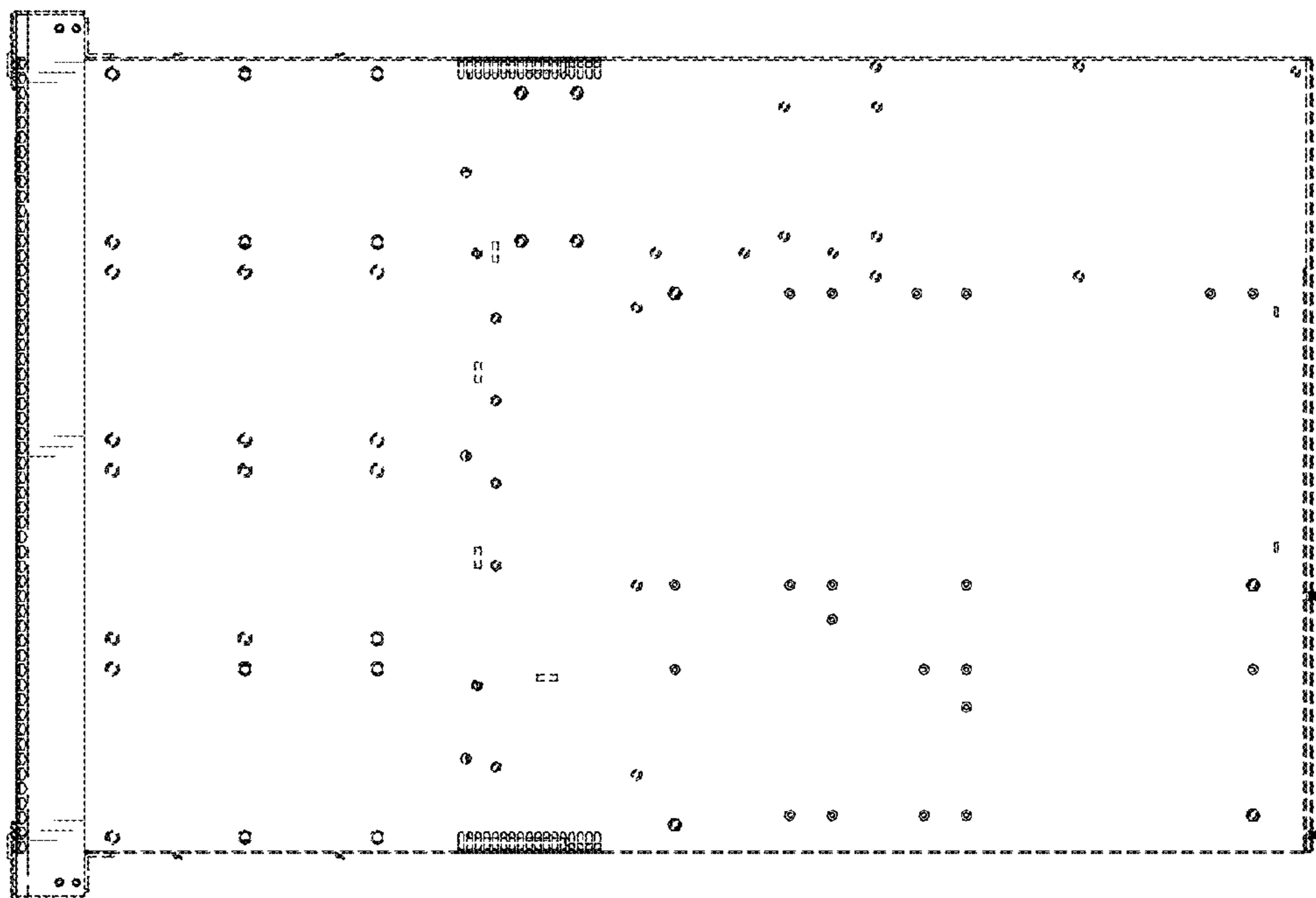


FIG. 3

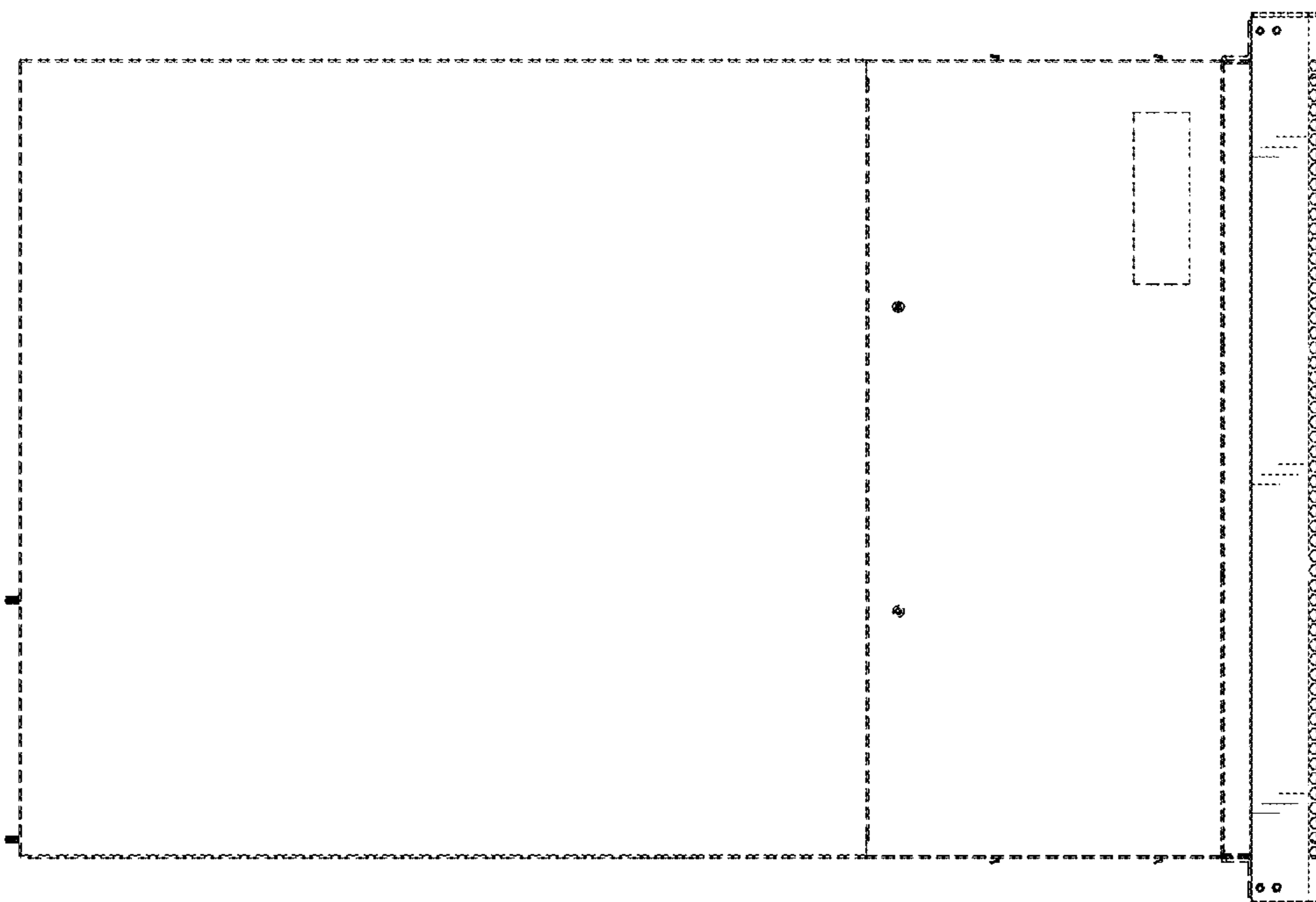
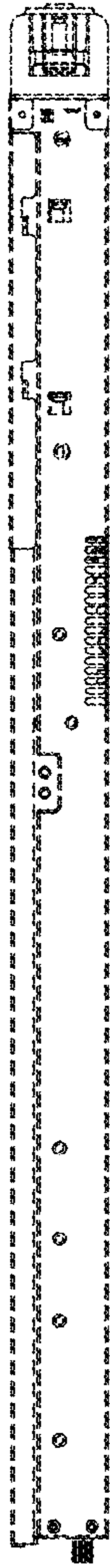
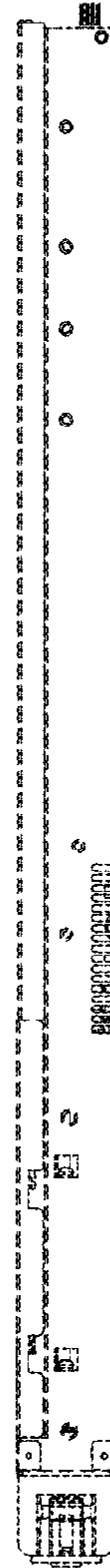


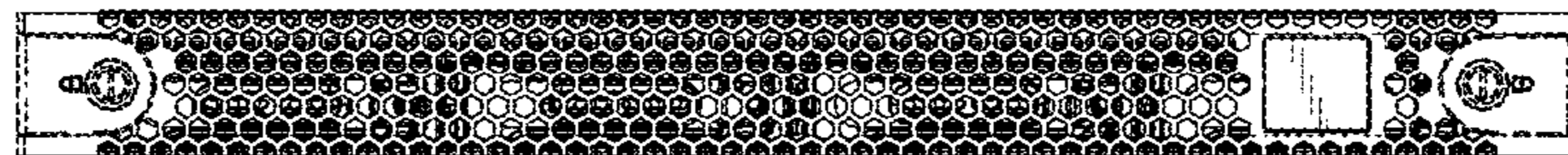
FIG. 2



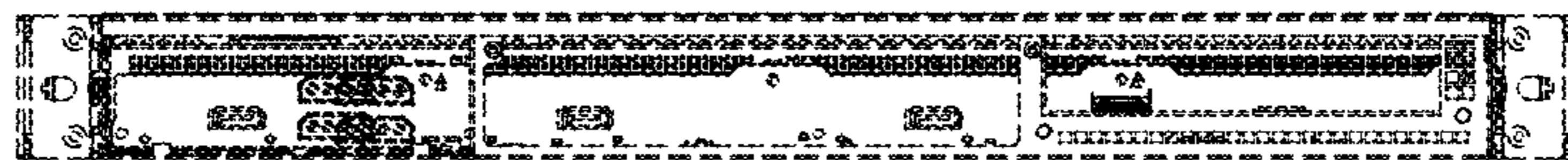
*FIG. 4*



*FIG. 5*



*FIG. 6*



*FIG. 7*

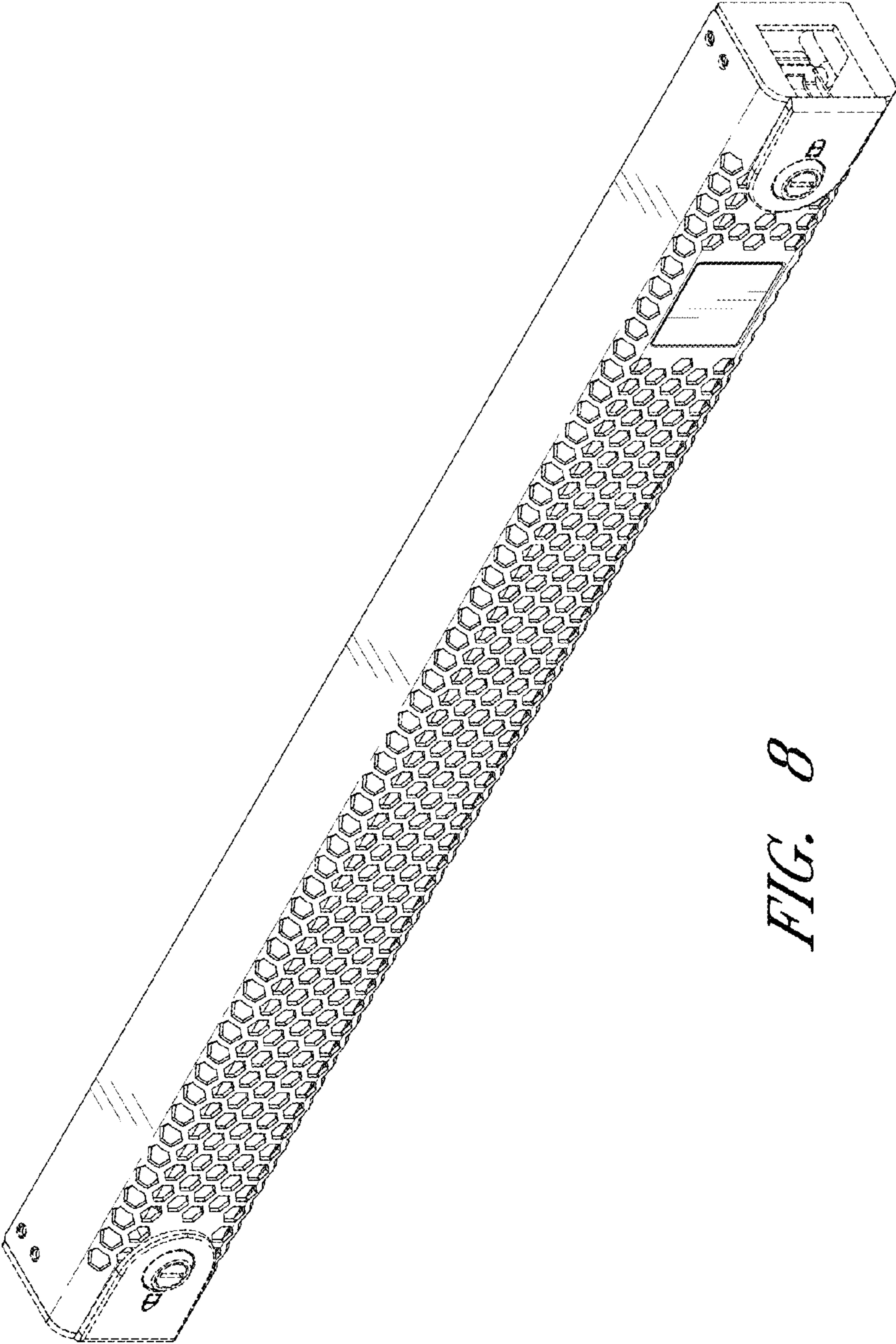
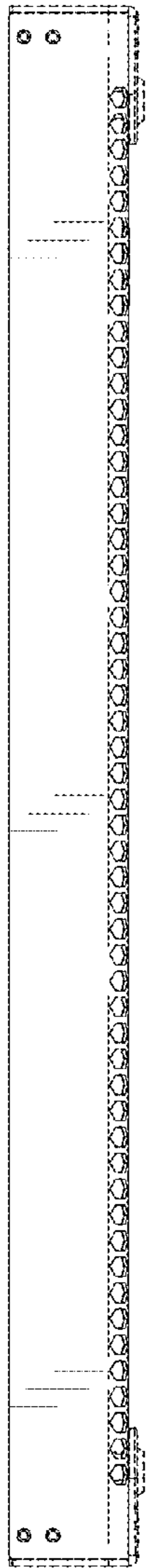


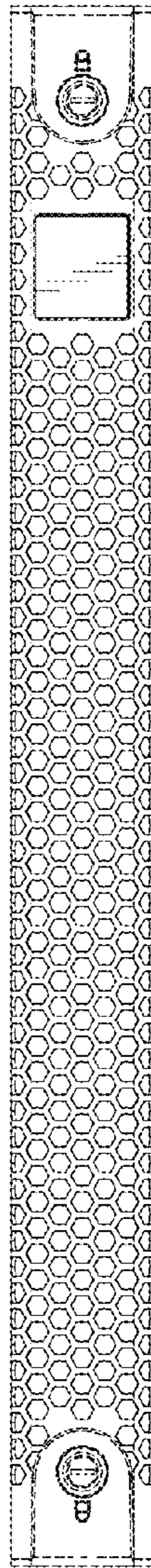
FIG. 8



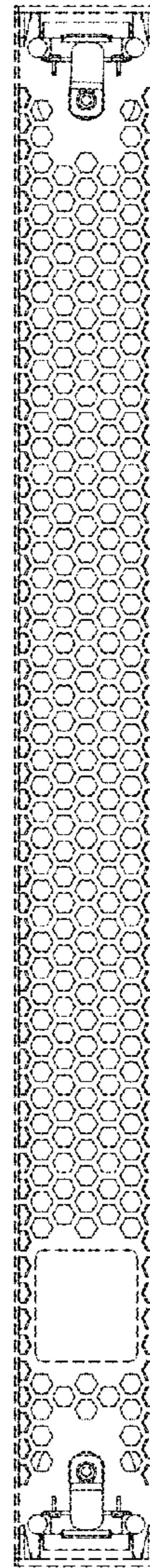
*FIG. 9*



*FIG. 10*



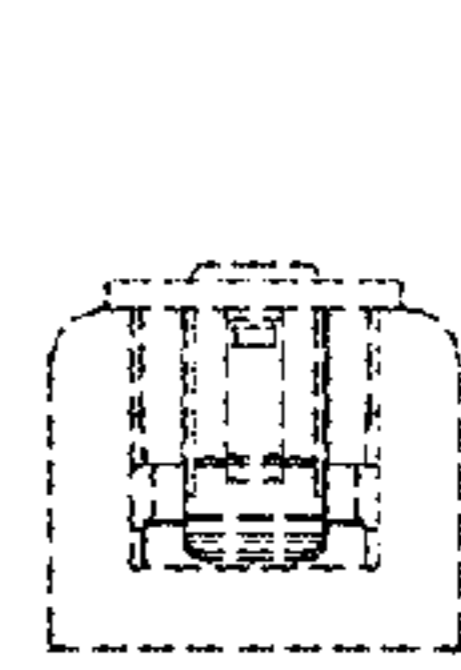
*FIG. 11*



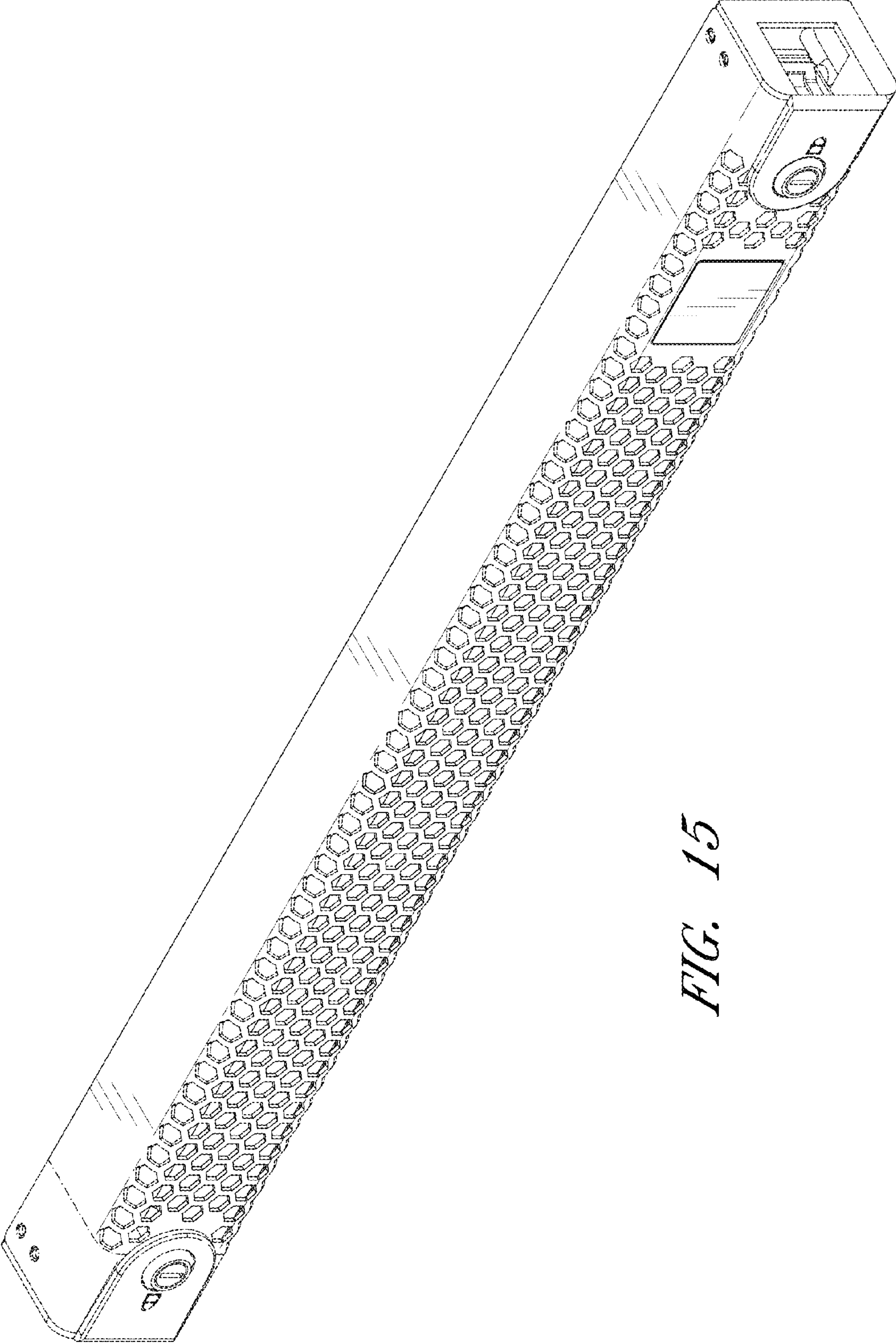
*FIG. 12*



*FIG. 13*

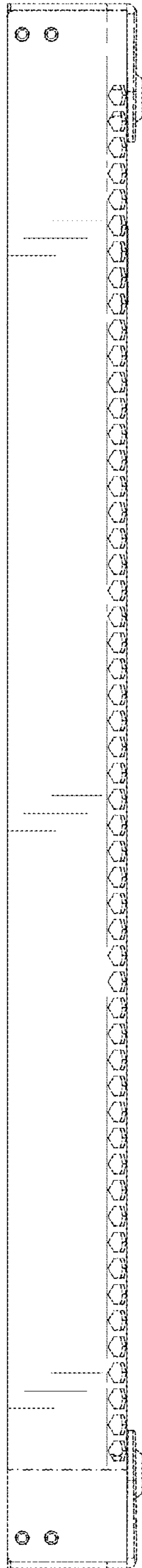


*FIG. 14*

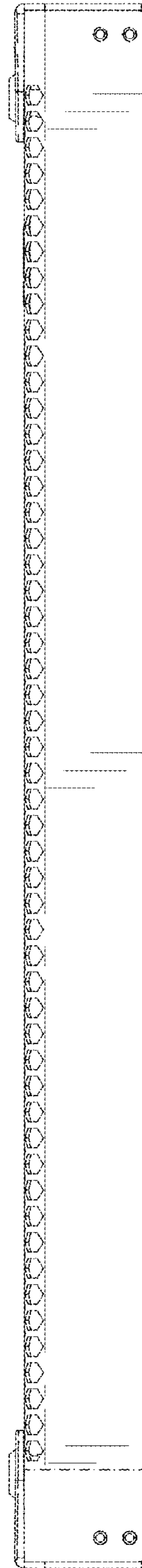


*FIG. 15*

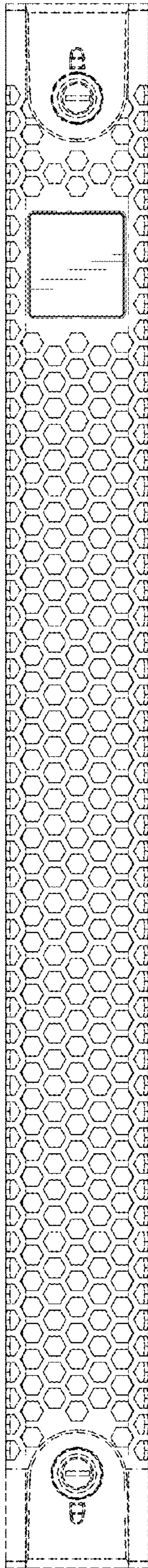




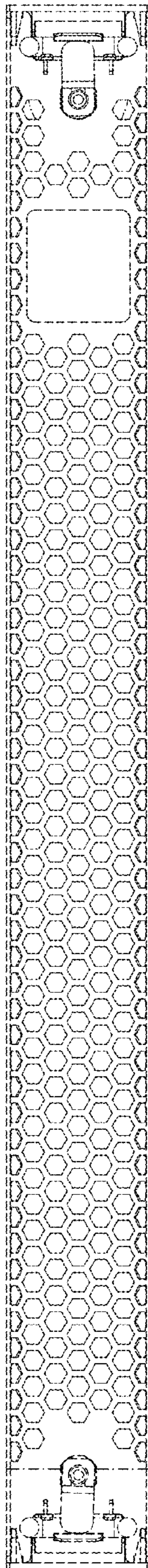
*FIG. 16*



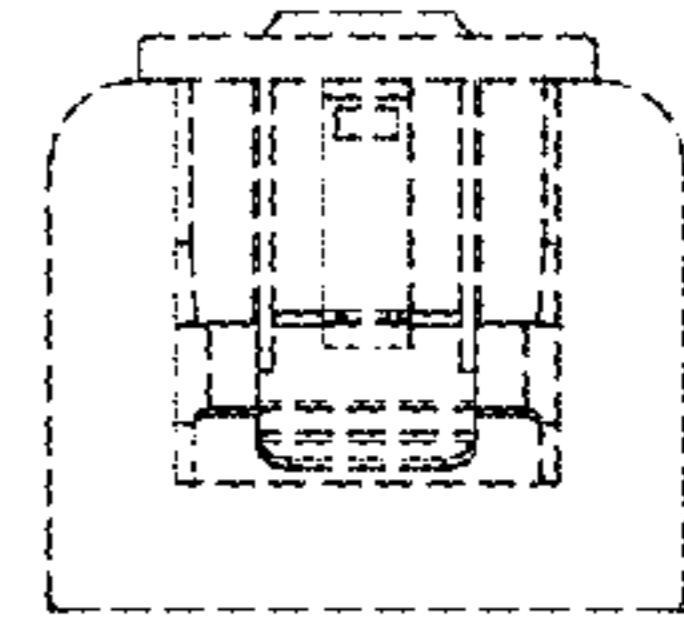
*FIG. 17*



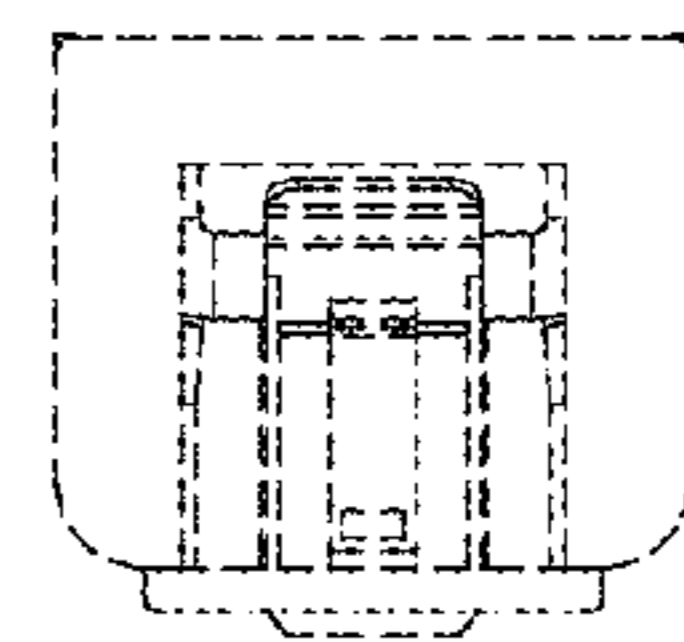
*FIG. 18*



*FIG. 19*



*FIG. 20*



*FIG. 21*