



US00D720355S

(12) **United States Design Patent**
Akana et al.

(10) **Patent No.:** **US D720,355 S**
(45) **Date of Patent:** **** Dec. 30, 2014**

(54) **CASE**

- (71) Applicant: **Apple Inc.**, Cupertino, CA (US)
- (72) Inventors: **Jody Akana**, San Francisco, CA (US);
Bartley K. Andre, Palo Alto, CA (US);
Shota Aoyagi, San Francisco, CA (US);
Jeremy Bataillou, San Francisco, CA (US);
Daniel J. Coster, San Francisco, CA (US);
Daniele De Iuliis, San Francisco, CA (US);
M. Evans Hankey, San Francisco, CA (US);
Julian Hoenig, San Francisco, CA (US);
Richard P. Howarth, San Francisco, CA (US);
Duncan Robert Kerr, San Francisco, CA (US);
Matthew Dean Rohrbach, San Francisco, CA (US);
Peter Russell-Clarke, San Francisco, CA (US);
Mikael Silvano, San Francisco, CA (US);
Christopher J. Stringer, Woodside, CA (US);
Eugene Antony Whang, San Francisco, CA (US);
Rico Zörkendörfer, San Francisco, CA (US)
- (73) Assignee: **Apple Inc.**, Cupertino, CA (US)
- (**) Term: **14 Years**
- (21) Appl. No.: **29/470,435**
- (22) Filed: **Oct. 22, 2013**
- (51) **LOC (10) Cl.** **14-03**
- (52) **U.S. Cl.**
USPC **D14/440**
- (58) **Field of Classification Search**
USPC D14/250, 251, 253, 240, 217, 496,
D14/203.3, 203.4, 203.5, 203.8, 440, 238.1,
D14/432, 439, 300; D3/201, 273, 274, 290,
D3/294, 300-303, 315, 318, 319,
D3/323-328; 190/100-127, 900-903;
361/679.56; 455/575.8; 292/342, 343;
248/371, 152, 174, 459

(56) See application file for complete search history.
References Cited

U.S. PATENT DOCUMENTS

2,968,176 A 1/1961 Collings
3,442,371 A 5/1969 Deshong et al.

(Continued)

FOREIGN PATENT DOCUMENTS

EM 001266266-0001 3/2011
EM 001266282-0001 3/2011

(Continued)

OTHER PUBLICATIONS

<http://blog.scoopz.com/2011/07/15/cool-bananas-smartshell-ipad-2-case-review/>; Cool Bananas SmartShell Case, Jul. 2011.*

(Continued)

Primary Examiner — Stella Reid

Assistant Examiner — Holly E Thurman

(74) *Attorney, Agent, or Firm* — Sterne, Kessler, Goldstein & Fox P.L.L.C.

(57)

CLAIM

The ornamental design for a case, as shown and described.

DESCRIPTION

FIG. 1 is a bottom front perspective view of a case showing our new design;

FIG. 2 is a front view thereof;

FIG. 3 is a rear view thereof;

FIG. 4 is a left side view thereof;

FIG. 5 is a right side view thereof;

FIG. 6 is a top view thereof; and

FIG. 7 is a bottom view thereof;

FIG. 8 is a cross-sectional view taken along the line 8-8 in FIG. 2;

FIG. 9 is a bottom front perspective view of another embodiment of a case showing our new design;

FIG. 10 is a front view thereof;

FIG. 11 is a rear view thereof;

FIG. 12 is a left side view thereof;

FIG. 13 is a right side view thereof;

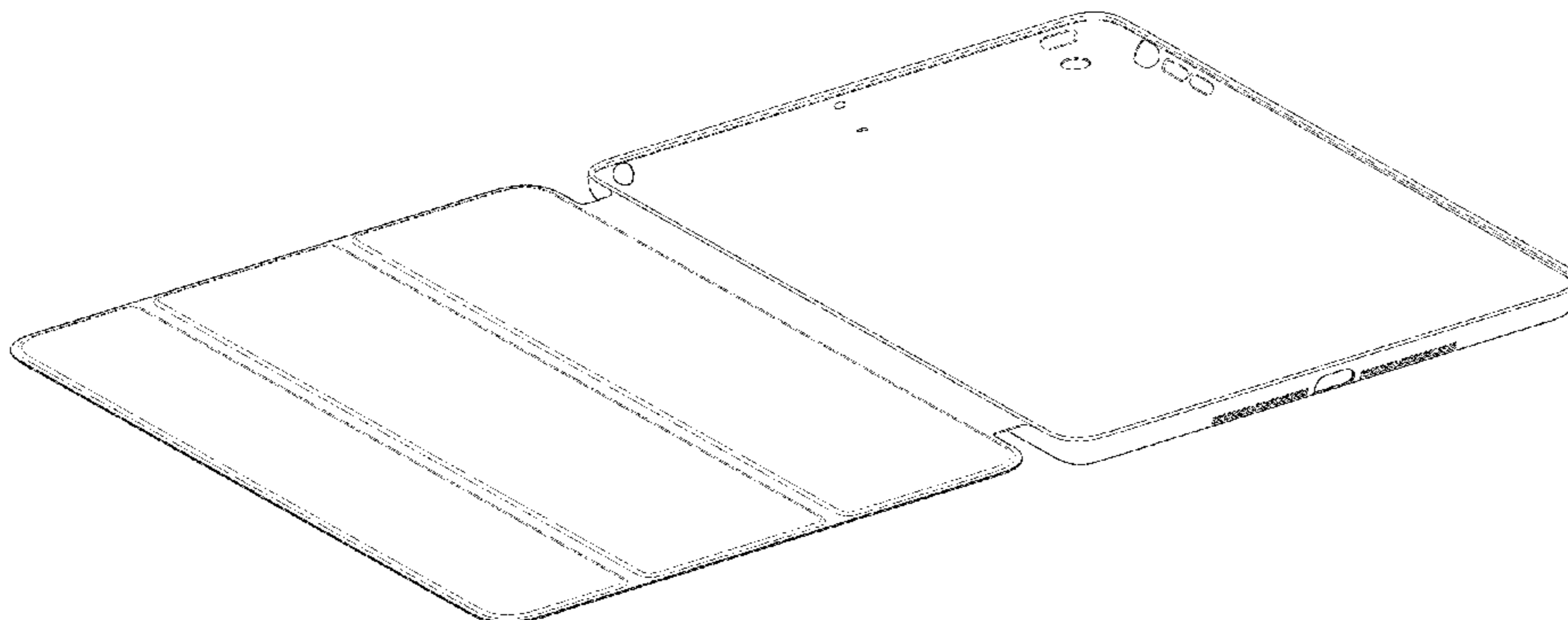
FIG. 14 is a top view thereof; and

FIG. 15 is a bottom view thereof; and,

FIG. 16 is a cross-sectional view taken along the line 16-16 in FIG. 10.

The cross-hatched shading in the Figures forms no part of the claimed design.

1 Claim, 12 Drawing Sheets



(56)

References Cited

U.S. PATENT DOCUMENTS

4,718,550 A 1/1988 Johnson
 D321,855 S 11/1991 Ross, Jr.
 5,066,158 A 11/1991 Huang
 5,092,354 A 3/1992 Pacelli, Jr.
 D331,191 S 11/1992 Ventola et al.
 D364,191 S 11/1995 Allen
 D409,667 S 5/1999 Riley et al.
 D454,110 S 3/2002 Andre et al.
 D467,429 S 12/2002 Bone et al.
 D512,100 S 11/2005 Howes et al.
 D538,096 S 3/2007 Bartell et al.
 D556,681 S 12/2007 Kim
 D574,819 S 8/2008 Andre et al.
 D582,405 S 12/2008 Andre et al.
 D583,479 S 12/2008 Yim
 D584,141 S 1/2009 Smith et al.
 D606,751 S 12/2009 Andre et al.
 D619,361 S 7/2010 Andre et al.
 D622,716 S 8/2010 Andre et al.
 D627,777 S 11/2010 Akana et al.
 D633,388 S 3/2011 Andre et al.
 D637,814 S 5/2011 Akana et al.
 D656,495 S 3/2012 Andre et al.
 8,143,982 B1 * 3/2012 Lauder et al. 335/219
 D658,186 S 4/2012 Akana et al.
 D658,187 S 4/2012 Diebel
 D658,188 S 4/2012 Diebel
 D662,100 S 6/2012 Van Den Nieuwenhuizen et al.
 D662,503 S 6/2012 Akana et al.
 D670,692 S 11/2012 Akana et al.
 8,328,008 B2 * 12/2012 Diebel et al. 206/45.24
 D685,801 S * 7/2013 Canizares et al. D14/440
 D685,803 S * 7/2013 Akana et al. D14/440
 D688,251 S 8/2013 Akana et al.
 D691,142 S * 10/2013 Diebel D14/440
 D691,143 S * 10/2013 Diebel D14/440
 D704,702 S * 5/2014 Akana et al. D14/341
 D706,270 S * 6/2014 Akana et al. D14/440
 D708,836 S * 7/2014 Lee D3/201
 8,794,436 B2 * 8/2014 Hsu 206/320

2009/0107858 A1 4/2009 Huang
 2009/0194209 A1 8/2009 De Filippis et al.
 2010/0289390 A1 11/2010 Kenney
 2010/0300909 A1 12/2010 Hung
 2011/0164365 A1 7/2011 McClure et al.
 2011/0227463 A1 * 9/2011 Hou et al. 312/223.1
 2012/0194448 A1 * 8/2012 Rothkopf 345/173

FOREIGN PATENT DOCUMENTS

EM 001266290-0001 3/2011
 GB 4020173 6/2011
 TW D154071 S 6/2013

OTHER PUBLICATIONS

http://www.amazon.com/Fintie-iPad-mini-Retina-Display/dp/B009T4K9BS/ref=sr_1_22?s=electronics&ie=UTF8&qid=1410209701&sr=1-22&keywords=fintie+case ; Fintie SmartShell Case, Aug. 2012.*
 Incase, "Introducing the Convertible Magazine Jacket for iPad," goincase.com, accessed at <http://goincase.com/blog/2010/11/23/introducing-the-convertible-magazine-jacket-for-ipad/>, posted Nov. 23, 2010, 7 pages.
 Case-Parts, "Original Targus Folding Geuniune Leather Case for Apple iPad with Built-in Holder," <http://www.caseparts.com/details/Original-Targus-Folding-Genuine-Leather-Case-for-Apple-iPad-with-Built-in-Holder-IPAD-570/photos.htm>, 3 pages.
 "Review: AViiQ Smart Case for iPad 2", which was published on YouTube at <http://www.youtube.com/watch?v=DaHjzeVWEuA>, May 24, 2011, 3 pages.
 "AViiQ Smart Case for iPad 2 compliments Apple's Smart Cover (Review)", which was published on YouTube at <http://www.youtube.com/watch?v=wMoZM-ZSn4g>, Aug. 31, 2011, 2 pages.
 Youtube.com, "iPad 2—Best Protective Case—Smart Cover + Smart Cover Back by Simplism", (<http://www.youtube.com/watch?v=SRHhU98NAd0&feature=endscreen&NR=1>), May 15, 2011.
 The First iPad 2 Smart Cover Clones are Here, which was published on GIZMODO.com at <http://gizmodo.com/5782270/the-first-ipad-2-smart-cover-clones-are-here>, Mar. 15, 2011, 2 pages.

* cited by examiner

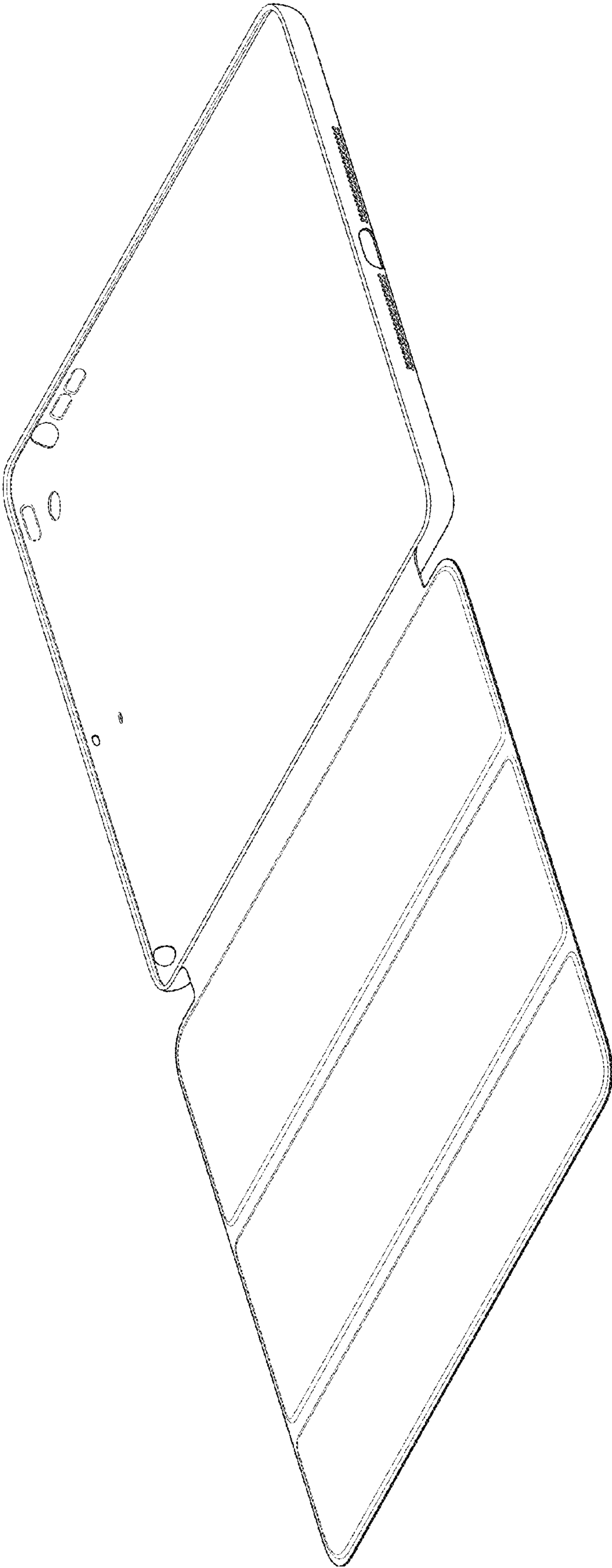


FIG.1

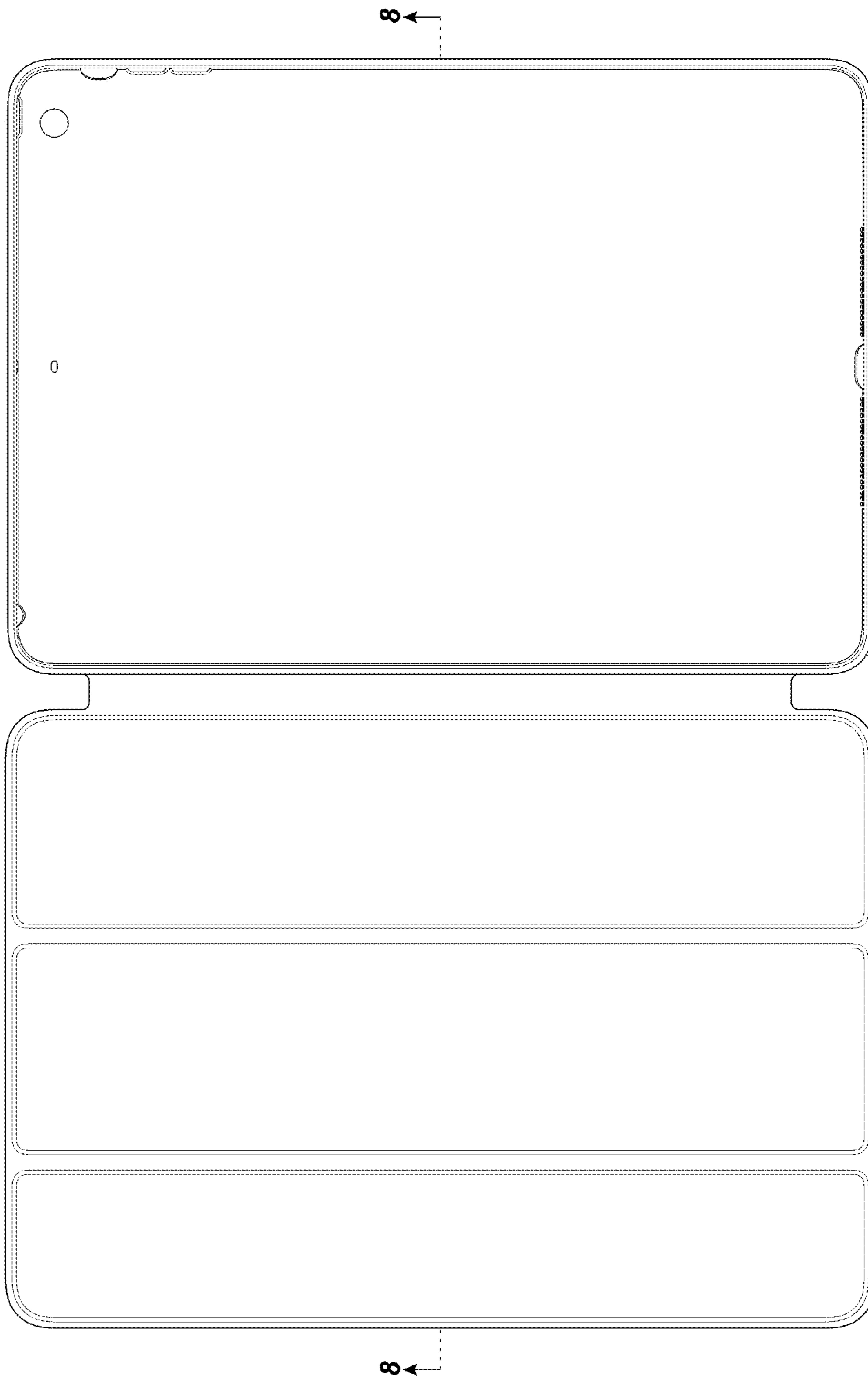


FIG. 2

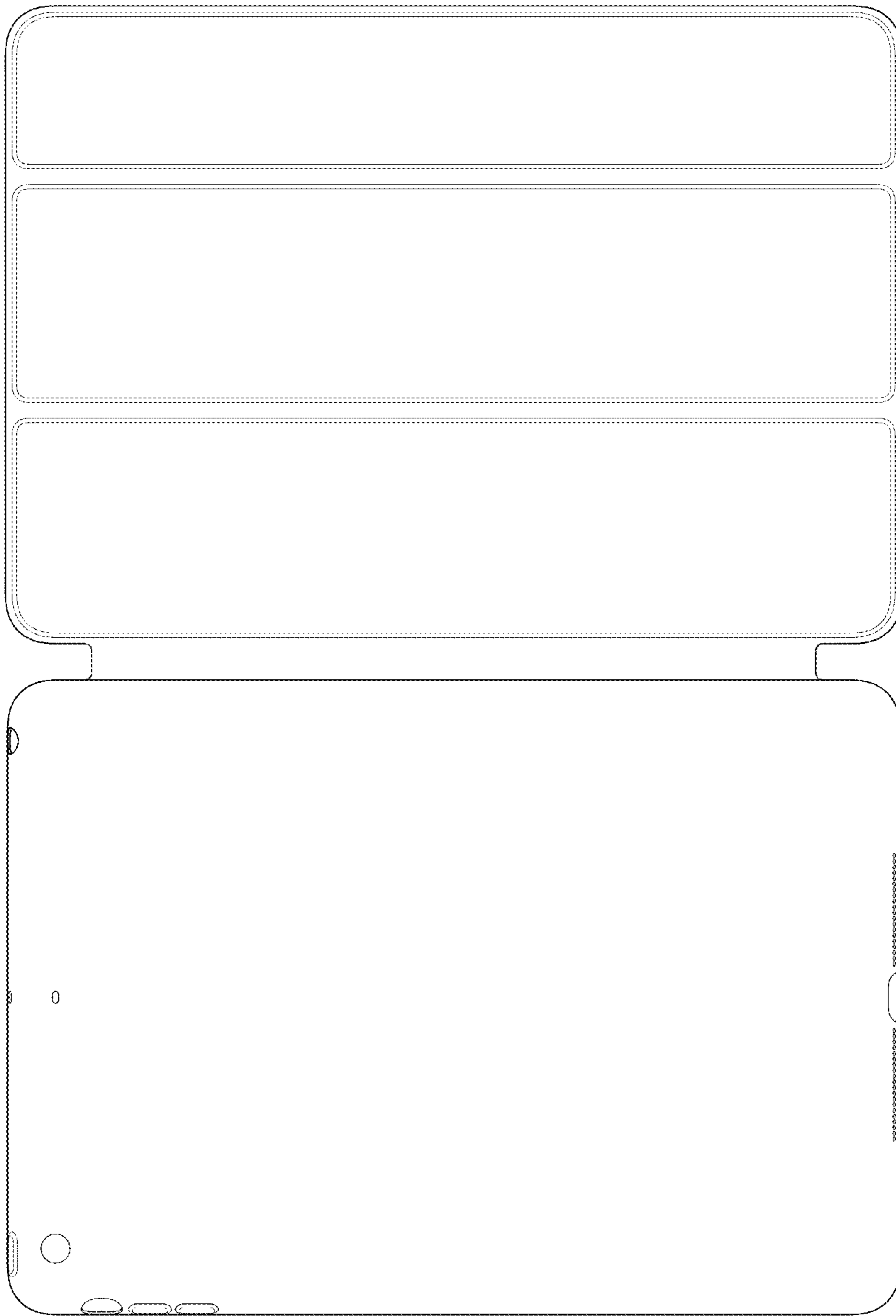


FIG. 3



FIG. 4

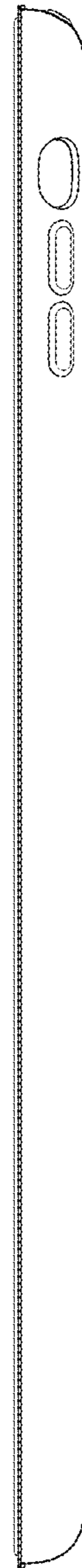


FIG. 5

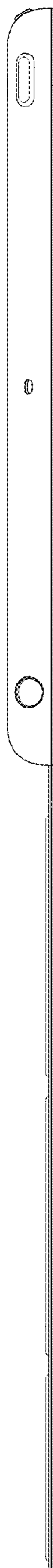


FIG. 6

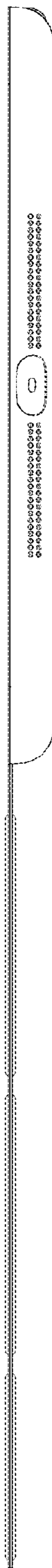


FIG.7

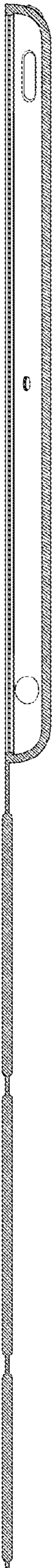


FIG. 8

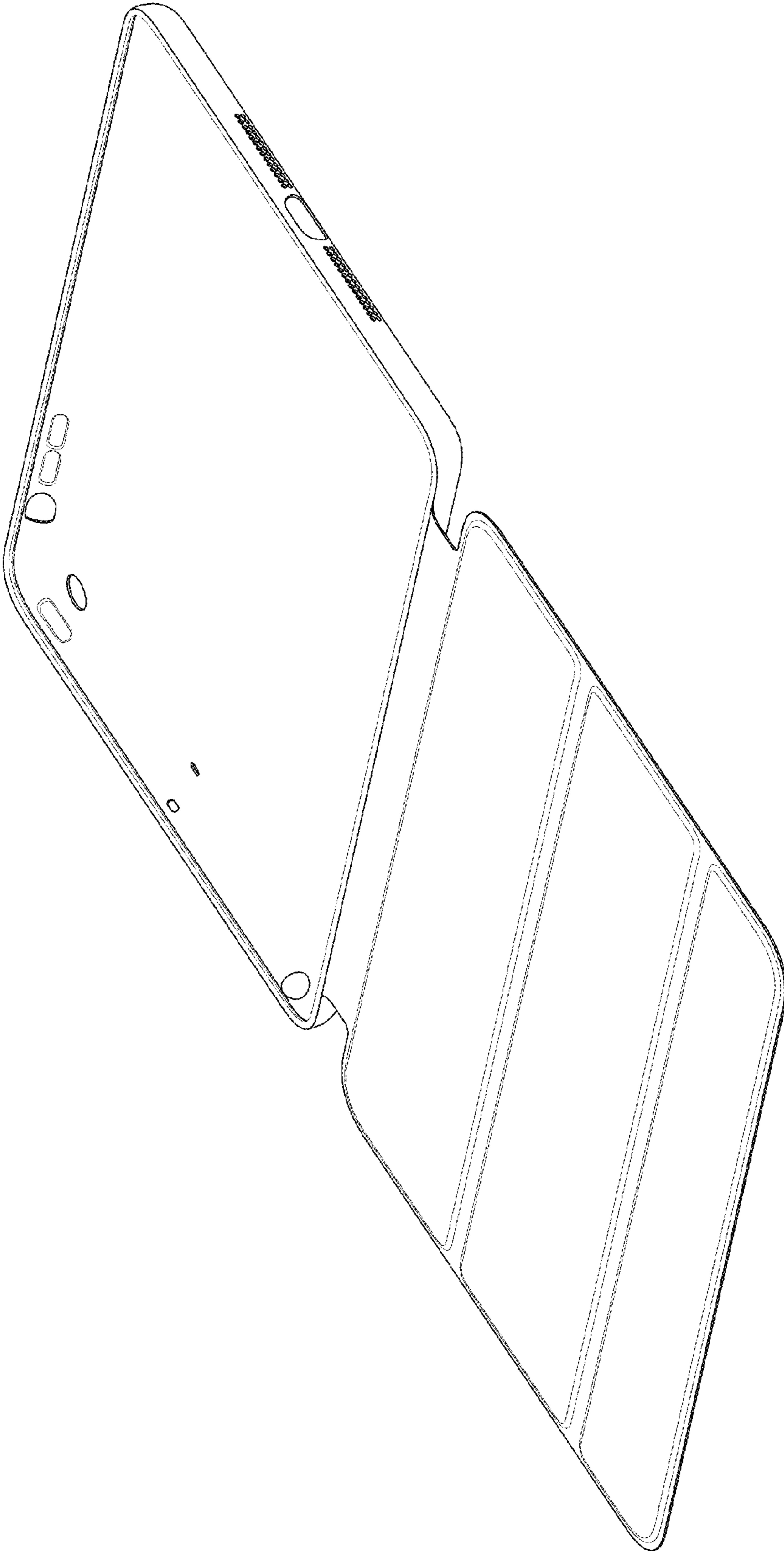


FIG.9

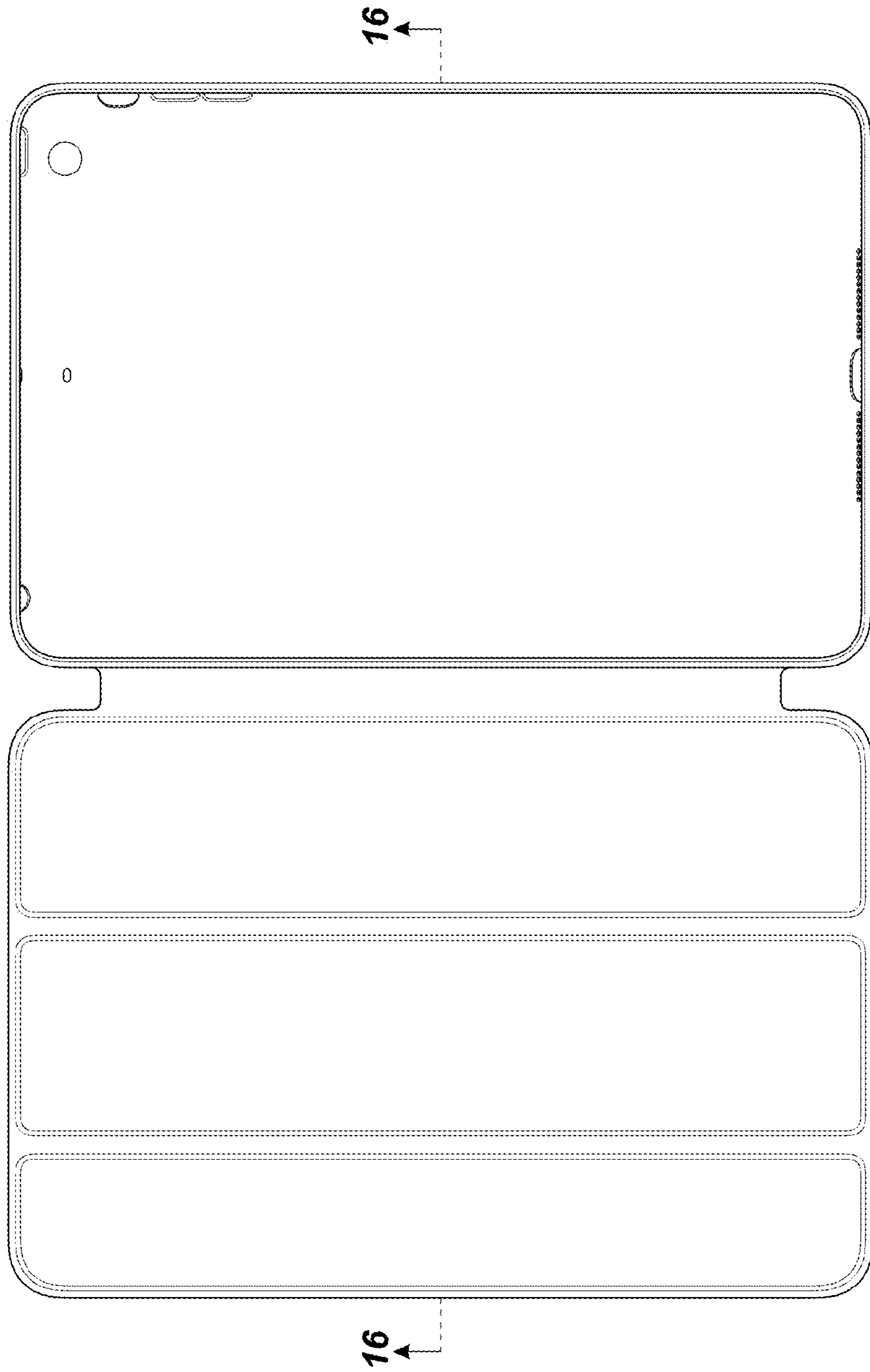


FIG.10

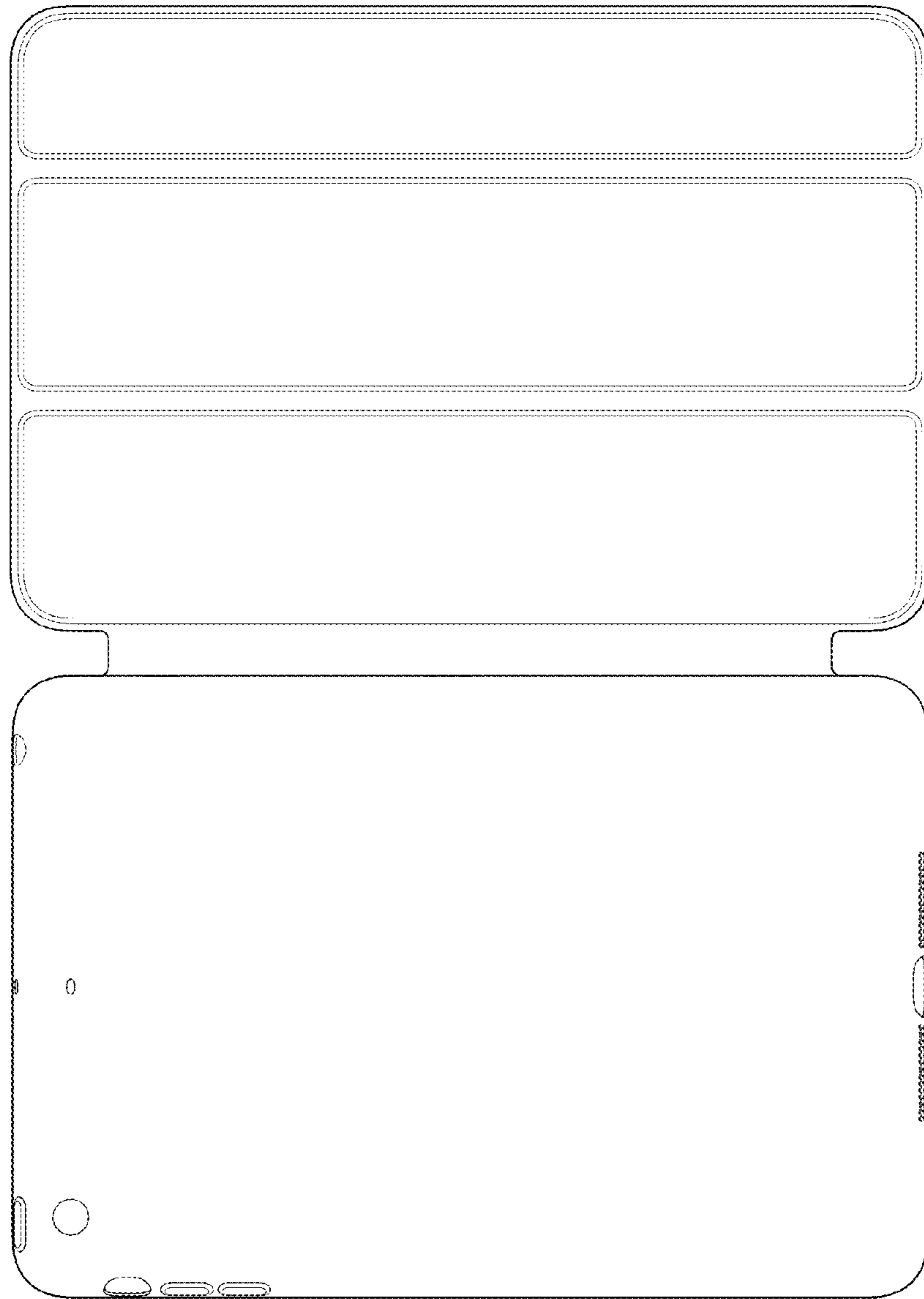


FIG. 11

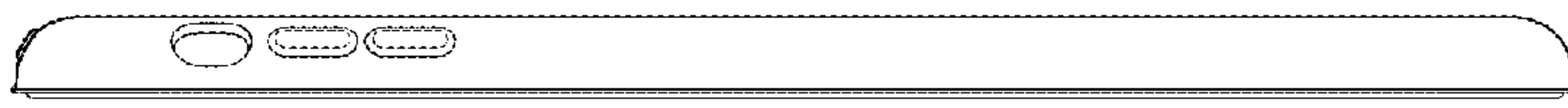


FIG.13

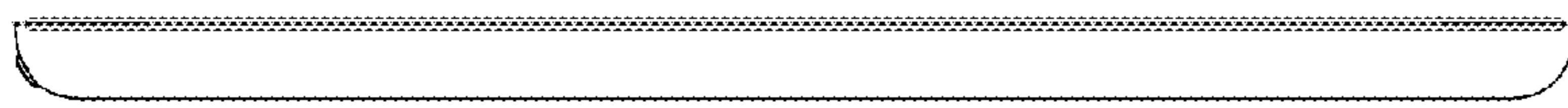


FIG.12

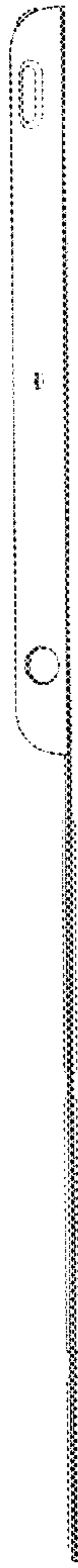


FIG. 14

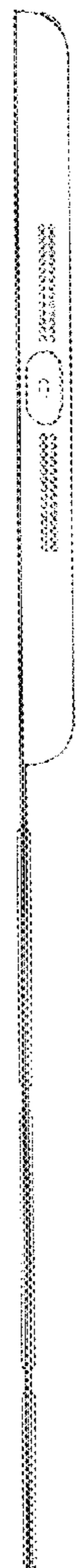


FIG. 15



FIG. 16