

US00D720354S

(12) **United States Design Patent**  
**Komatsu**

(10) **Patent No.:** **US D720,354 S**

(45) **Date of Patent:** **\*\* Dec. 30, 2014**

(54) **MODULE WITH BUILT-IN INTEGRATED CIRCUITS FOR USE WITH IC CARD**

(75) Inventor: **Akira Komatsu**, Yokohama (JP)

(73) Assignee: **Kabushiki Kaisha Toshiba**, Tokyo (JP)

(\*\*) Term: **14 Years**

(21) Appl. No.: **29/422,445**

(22) Filed: **May 21, 2012**

(30) **Foreign Application Priority Data**

Nov. 22, 2011 (JP) ..... 2011-026932

(51) **LOC (10) Cl.** ..... **14-02**

(52) **U.S. Cl.**  
USPC ..... **D14/437**

(58) **Field of Classification Search**  
USPC ..... D14/435, 436, 437, 478, 479, 480, 485, D14/486, 487, 488, 489, 490, 491, 492, 493, D14/495, 474; D13/182; 369/275.1, 275.2, 369/275.3, 275.4, 275.5, 44.26, 284, 286, 369/100, 52.1, 273, 280, 281, 282, 283, 369/285, 287, 288; 283/81; 720/718; 435/6, 435/287.2; 604/891.1; 216/2; D11/80; 235/492, 488; 361/737

See application file for complete search history.

(56) **References Cited**

**U.S. PATENT DOCUMENTS**

|           |     |         |        |       |         |
|-----------|-----|---------|--------|-------|---------|
| 5,031,026 | A * | 7/1991  | Ueda   | ..... | 257/679 |
| D327,883  | S * | 7/1992  | Gloton | ..... | D14/437 |
| D328,599  | S * | 8/1992  | Gloton | ..... | D14/437 |
| D331,922  | S * | 12/1992 | Gloton | ..... | D14/437 |
| D335,663  | S * | 5/1993  | Gloton | ..... | D14/437 |
| D342,728  | S * | 12/1993 | Gloton | ..... | D14/437 |
| D344,502  | S * | 2/1994  | Gloton | ..... | D14/437 |
| D353,135  | S * | 12/1994 | Gloton | ..... | D14/437 |

|          |     |         |                |       |         |
|----------|-----|---------|----------------|-------|---------|
| D353,136 | S * | 12/1994 | Gloton         | ..... | D14/437 |
| D357,242 | S * | 4/1995  | Gloton         | ..... | D14/437 |
| D357,909 | S * | 5/1995  | Gloton         | ..... | D14/437 |
| D358,142 | S * | 5/1995  | Gloton         | ..... | D14/437 |
| D365,092 | S * | 12/1995 | Mundigl et al. | ..... | D14/437 |
| D387,746 | S * | 12/1997 | Ishihara       | ..... | D14/437 |
| D387,747 | S * | 12/1997 | Ishihara       | ..... | D14/437 |
| D388,066 | S * | 12/1997 | Ishihara       | ..... | D14/437 |
| D389,130 | S * | 1/1998  | Ishihara       | ..... | D14/437 |
| D405,779 | S * | 2/1999  | Huber et al.   | ..... | D14/437 |
| D406,821 | S * | 3/1999  | Fischer et al. | ..... | D13/182 |
| D406,822 | S * | 3/1999  | Huber et al.   | ..... | D13/182 |
| D425,519 | S * | 5/2000  | Merlin et al.  | ..... | D14/436 |
| D456,414 | S * | 4/2002  | Turin          | ..... | D14/437 |
| D466,093 | S * | 11/2002 | Ebihara et al. | ..... | D13/182 |
| D471,167 | S * | 3/2003  | Ebihara et al. | ..... | D13/182 |
| D471,524 | S * | 3/2003  | Ebihara et al. | ..... | D13/182 |
| D534,537 | S * | 1/2007  | Smith et al.   | ..... | D14/437 |

(Continued)

**FOREIGN PATENT DOCUMENTS**

|    |                |        |
|----|----------------|--------|
| CN | 201030223483.4 | 4/2011 |
| JP | 899738-2       | 2/1995 |
| JP | 981954         | 5/1997 |

*Primary Examiner* — Elizabeth J Oswecki  
(74) *Attorney, Agent, or Firm* — Banner & Witcoff, Ltd.

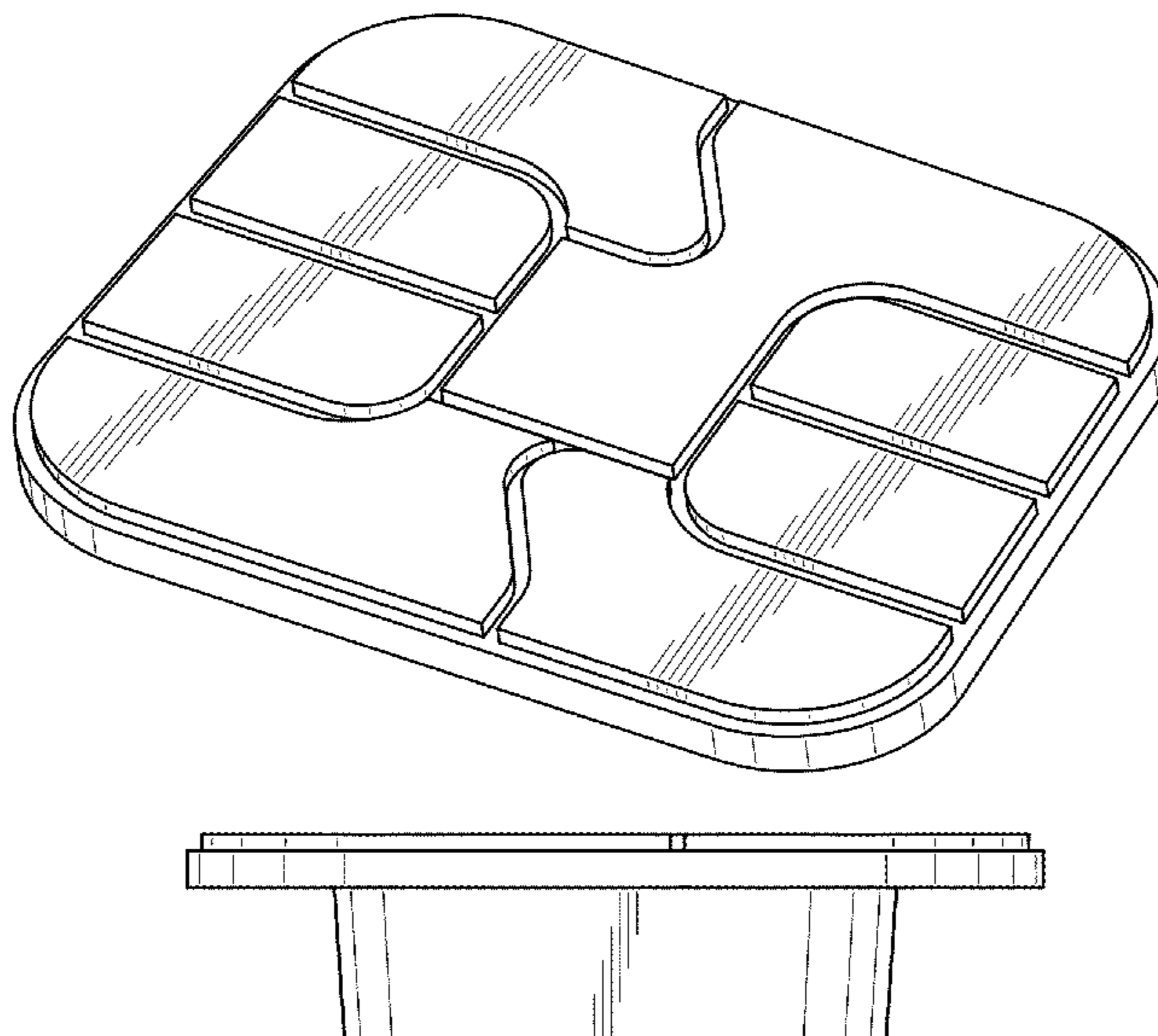
(57) **CLAIM**

The ornamental design for a module with built-in integrated circuits for use with IC card, as shown and described.

**DESCRIPTION**

FIG. 1 is a perspective view of a module with built-in integrated circuits for use with IC card, showing my new design; FIG. 2 is a top plan view thereof; FIG. 3 is a front elevational view thereof; FIG. 4 is a right side elevational view thereof; FIG. 5 is a left side elevational view thereof; FIG. 6 is a rear elevational view thereof; and, FIG. 7 is a bottom plan view thereof.

**1 Claim, 3 Drawing Sheets**



# US D720,354 S

Page 2

---

(56)

## References Cited

### U.S. PATENT DOCUMENTS

D571,810 S \* 6/2008 Ikeda ..... D14/437  
8,061,625 B2 \* 11/2011 Yu et al. .... 235/492  
D702,240 S \* 4/2014 Lepp et al. .... D14/436

D703,208 S \* 4/2014 Lepp et al. .... D14/436  
2009/0057417 A1 \* 3/2009 Shinohara et al. .... 235/492  
2010/0025480 A1 \* 2/2010 Nishizawa et al. .... 235/492  
2010/0176207 A1 \* 7/2010 Yoshikawa et al. .... 235/492  
2013/0084918 A1 \* 4/2013 Sheshadri ..... 455/558

\* cited by examiner

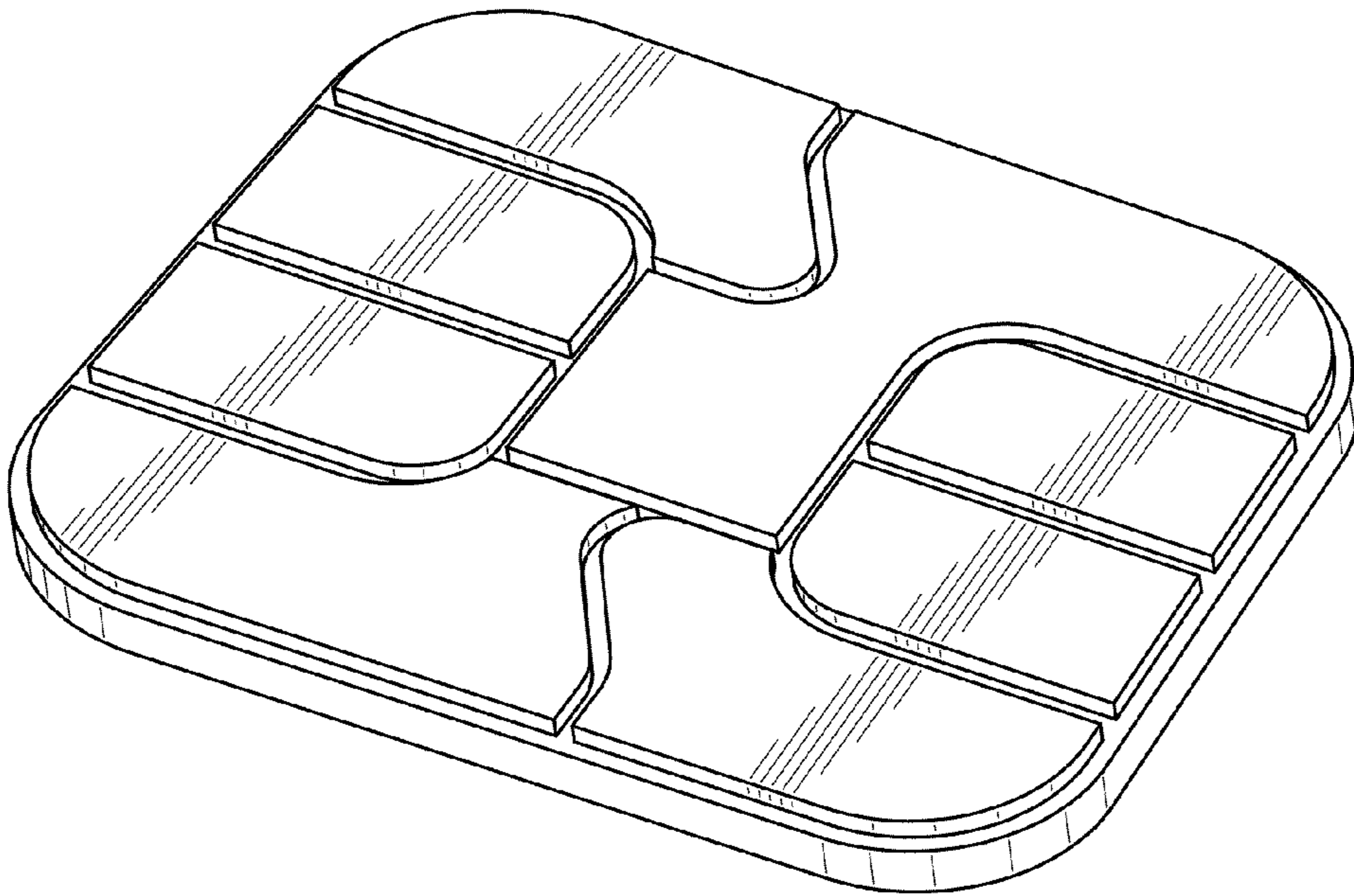


FIG.1

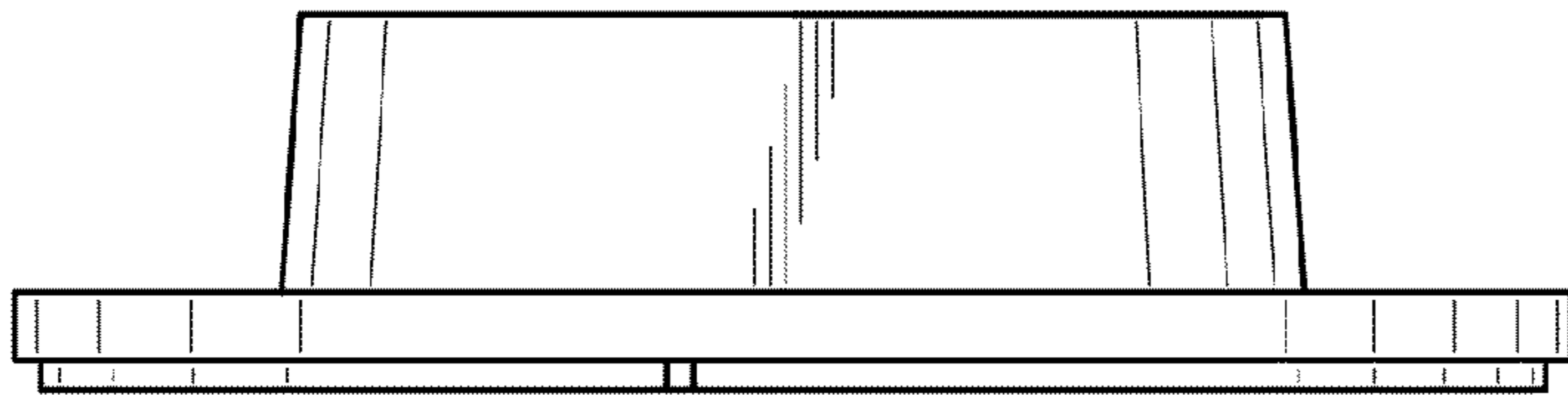


FIG. 2

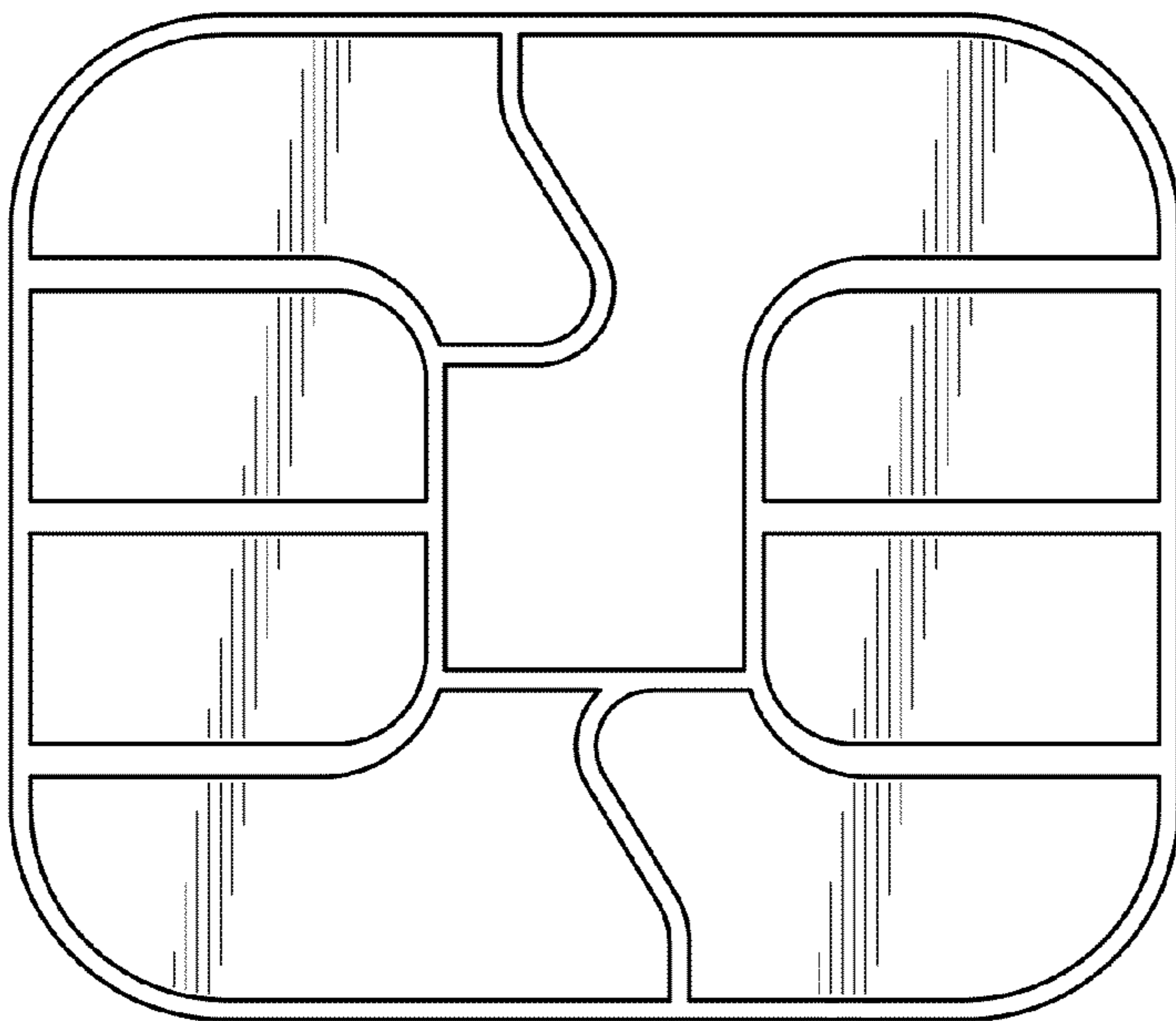


FIG. 3

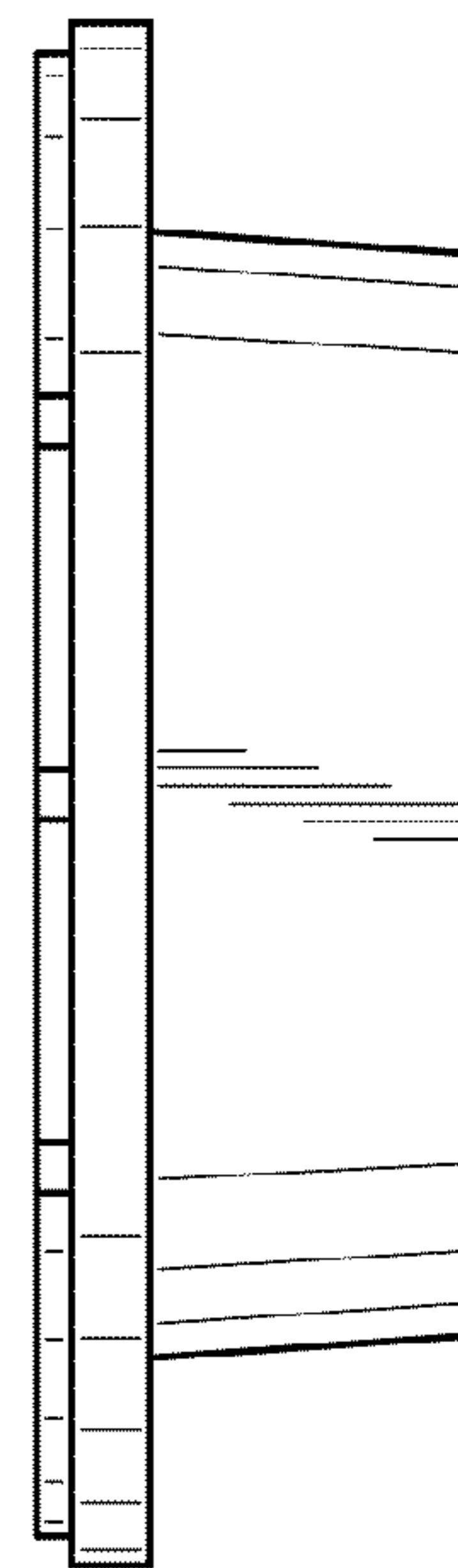


FIG. 4

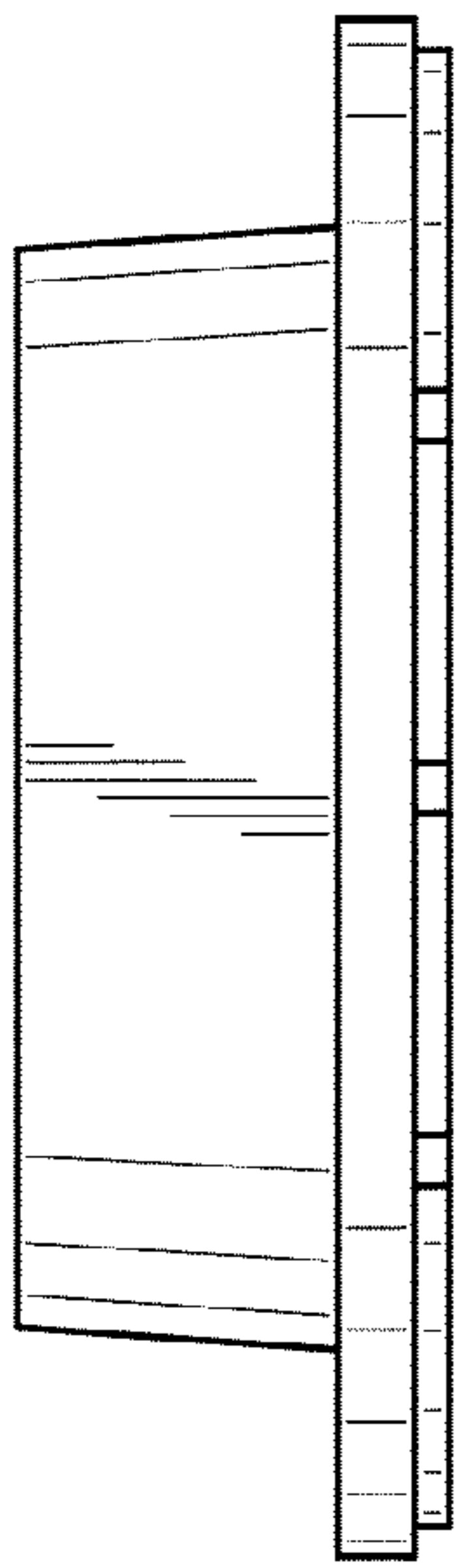


FIG. 5

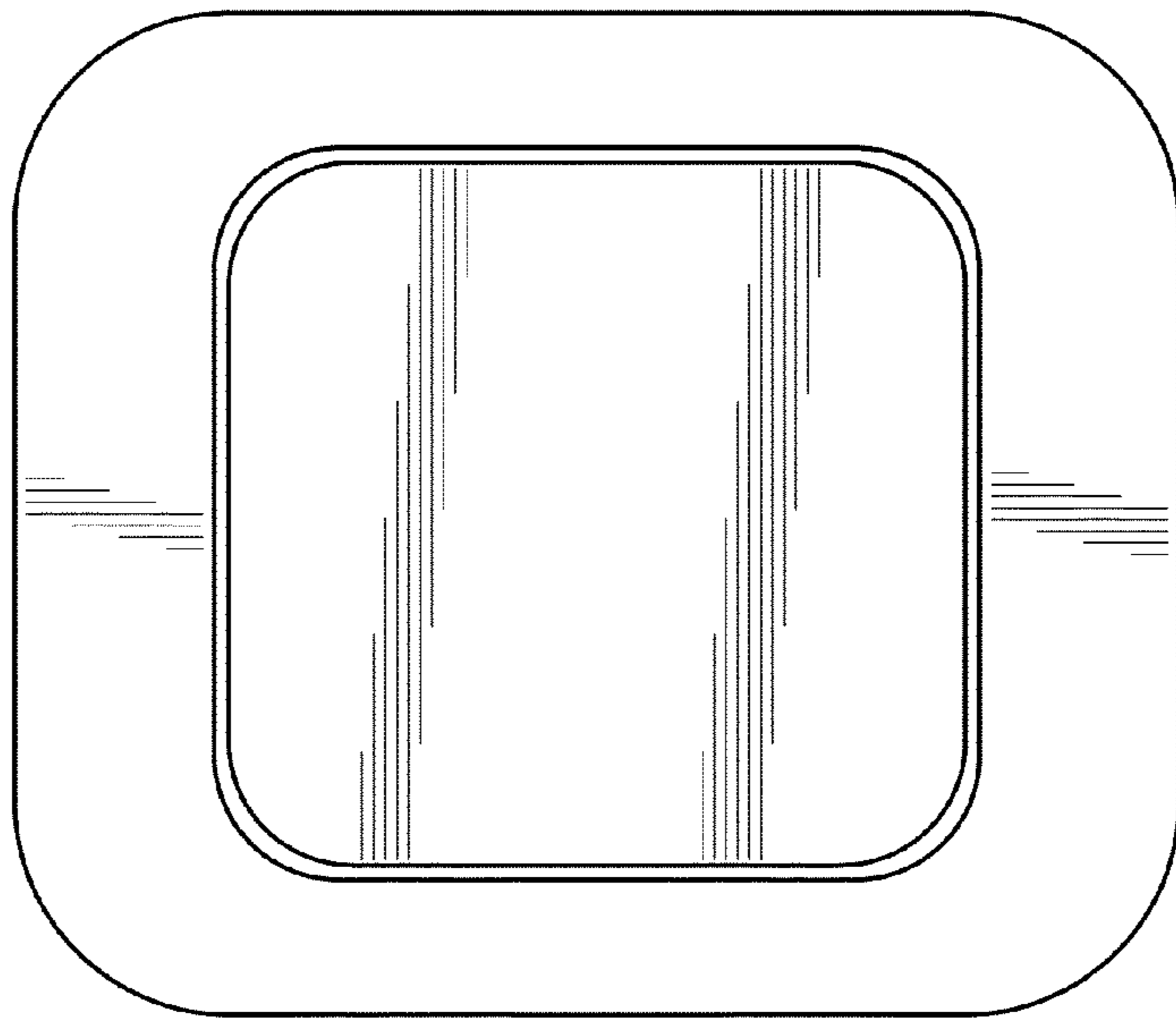


FIG. 6

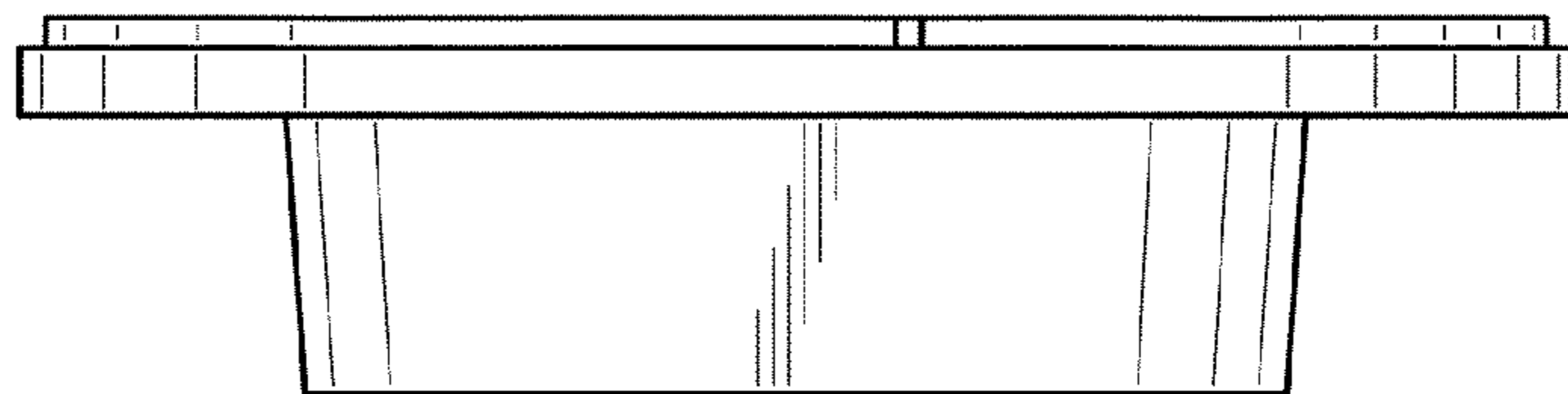


FIG. 7