



US00D720350S

(12) **United States Design Patent**
Haubrich et al.

(10) **Patent No.:** **US D720,350 S**

(45) **Date of Patent:** **** Dec. 30, 2014**

(54) **JOYSTICK**

(71) Applicant: **BOMAG GmbH**, Boppard (DE)

(72) Inventors: **Thomas Haubrich**, Goedenroth (DE);
Thomas Klein, Wehr (DE); **Hagen Stein**, Kehrig (DE)

(73) Assignee: **BOMAG GmbH**, Boppard (DE)

(**) Term: **14 Years**

(21) Appl. No.: **29/458,246**

(22) Filed: **Jun. 18, 2013**

(30) **Foreign Application Priority Data**

Dec. 19, 2012 (EP) 002156406-0023

(51) **LOC (10) Cl.** **14-03**

(52) **U.S. Cl.**
USPC **D14/415**

(58) **Field of Classification Search**
USPC D14/217, 218, 356, 388, 389, 400, 401,
D14/412-416, 432-434, 454, 496;
D21/324, 332, 333; D34/27, 35; 463/1,
463/30, 36-38, 46, 47; 345/156-161, 905;
D12/174, 178-180; D8/300, 303;
D15/138, 142; 74/489, 502.2, 523,
74/551.8, 551.9; D13/168

See application file for complete search history.

(56) **References Cited**

U.S. PATENT DOCUMENTS

D409,169	S	*	5/1999	Gustafsson	D14/454
D413,880	S	*	9/1999	Barnes et al.	D14/416
D526,757	S	*	8/2006	Bergman et al.	D34/35
D536,153	S	*	1/2007	Niebuhr et al.	D34/35
D541,805	S	*	5/2007	Swiader	D14/415
D575,924	S	*	8/2008	Niebuhr	D34/35
D577,359	S	*	9/2008	Cigarini	D14/416
7,456,828	B2	*	11/2008	Schottler et al.	345/204
D601,566	S	*	10/2009	Tailor	D14/416
D635,591	S	*	4/2011	Wahrenberg	D15/28
D678,283	S	*	3/2013	Olson et al.	D14/412
D686,622	S	*	7/2013	Rey et al.	D14/412
D689,529	S	*	9/2013	Hagura et al.	D15/28
D698,357	S	*	1/2014	Mainville et al.	D14/412
2006/0007144	A1	*	1/2006	Mathiasen et al.	345/161
2006/0044269	A1	*	3/2006	Bloch	345/161

* cited by examiner

Primary Examiner — Keli L Hill

(74) *Attorney, Agent, or Firm* — Wood, Herron & Evans, LLP

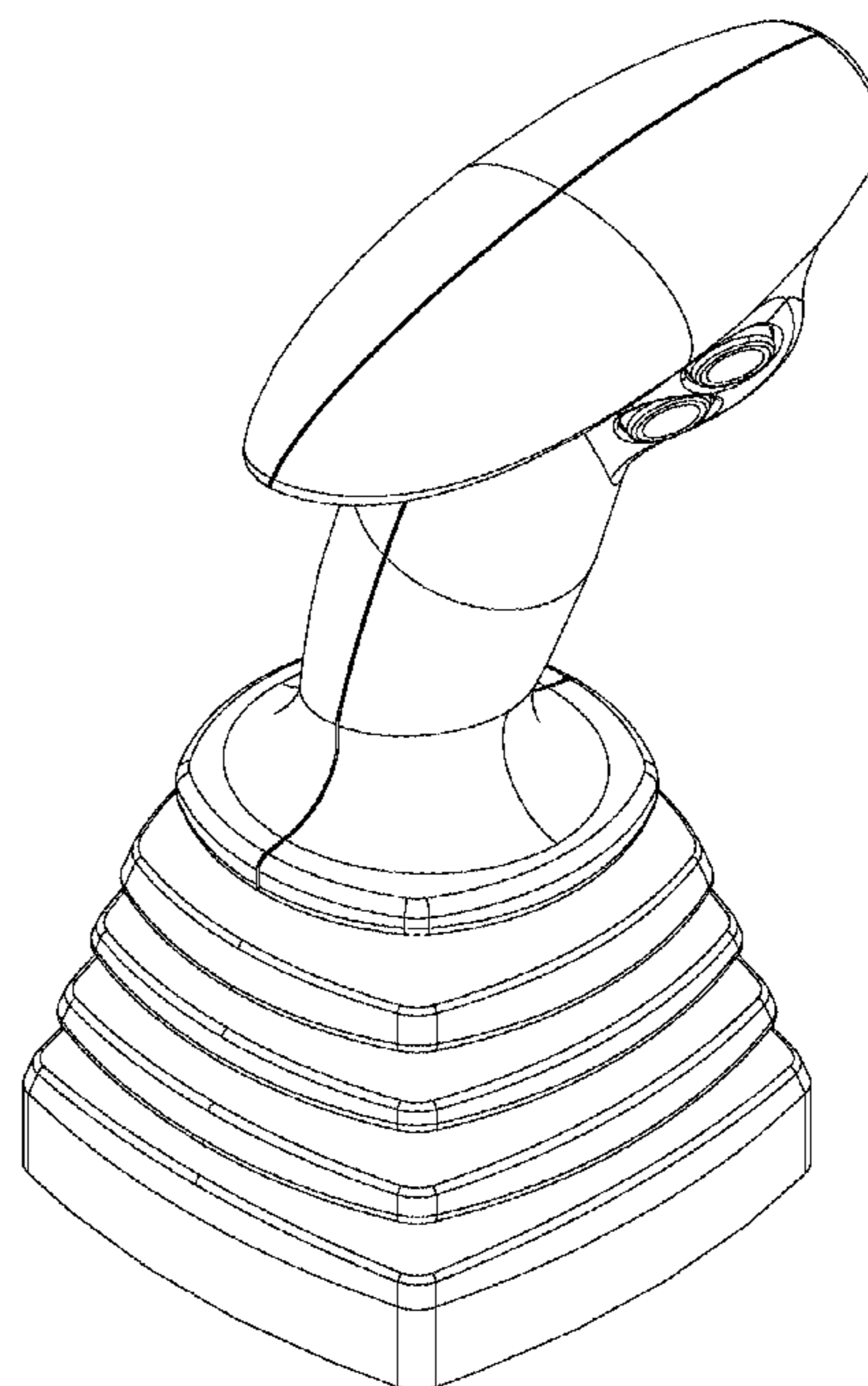
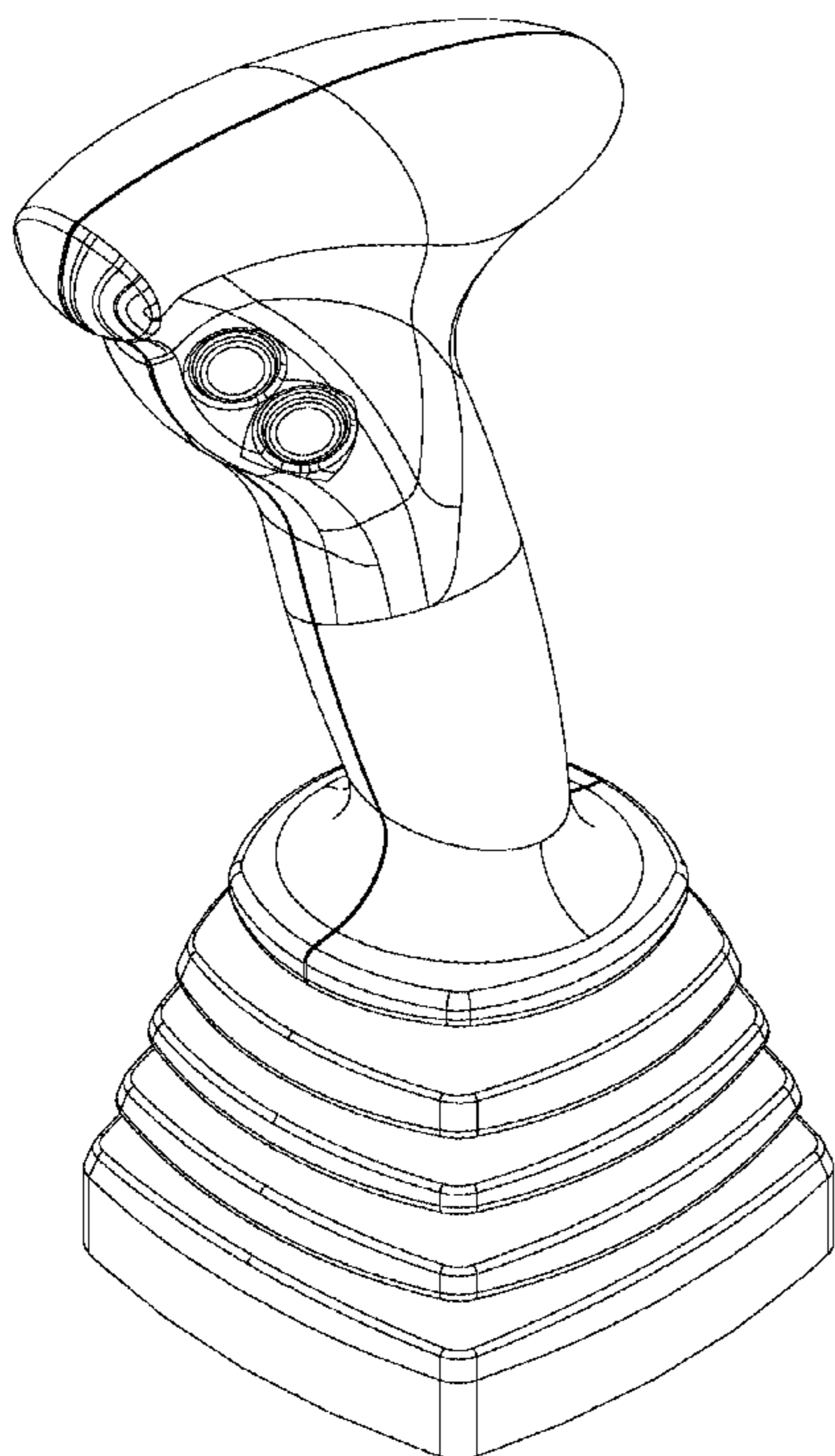
(57) **CLAIM**

The ornamental design for a joystick, as shown and described.

DESCRIPTION

FIG. 1 is a front isometric view of our new joystick design; FIG. 2 is a rear elevational view thereof; FIG. 3 is a top plan view thereof; FIG. 4 is a rear isometric view thereof; FIG. 5 is front elevational view thereof; FIG. 6 is a left side elevational view thereof; and, FIG. 7 is a right side elevational view thereof.

1 Claim, 7 Drawing Sheets



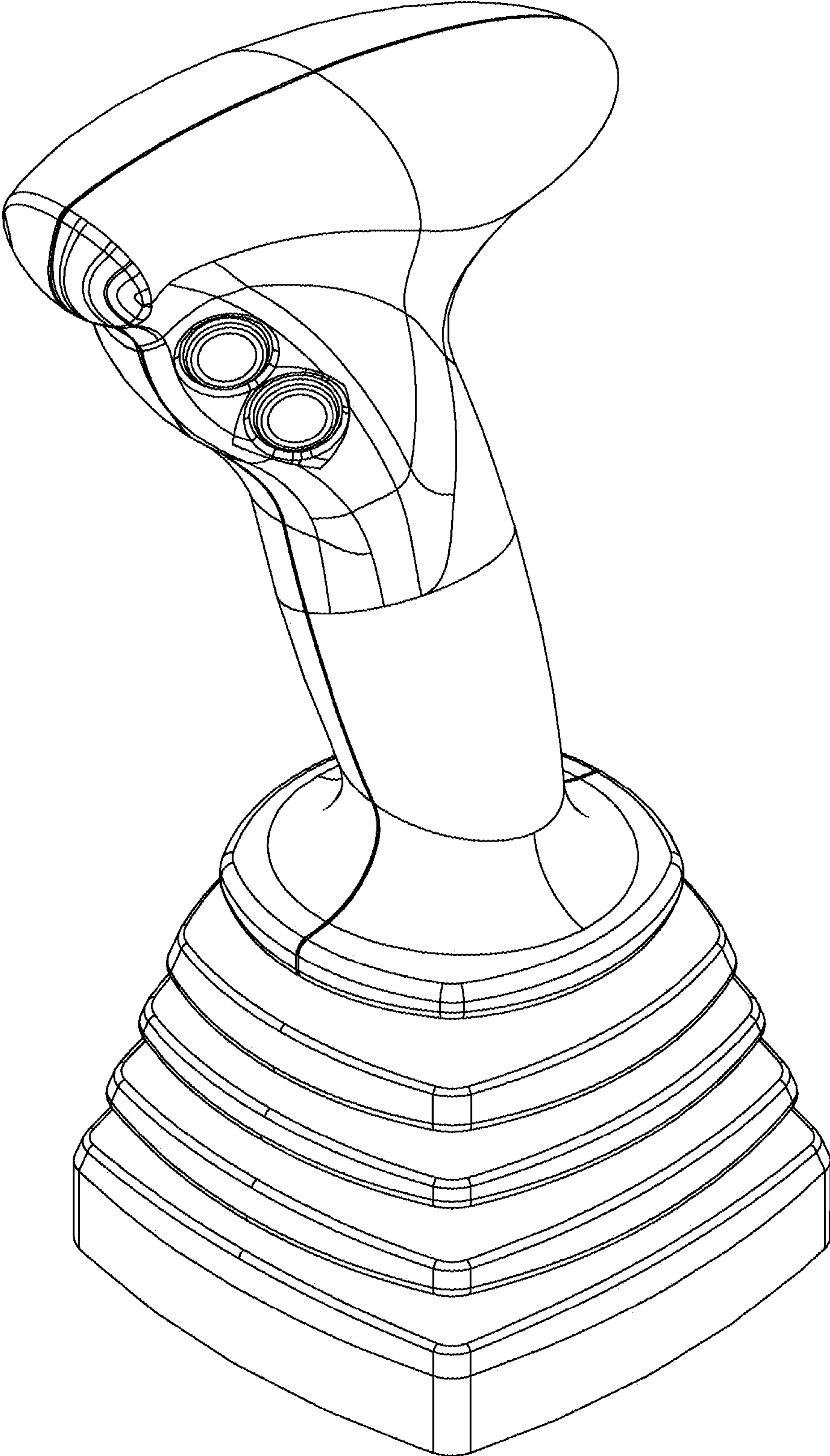


FIG. 1

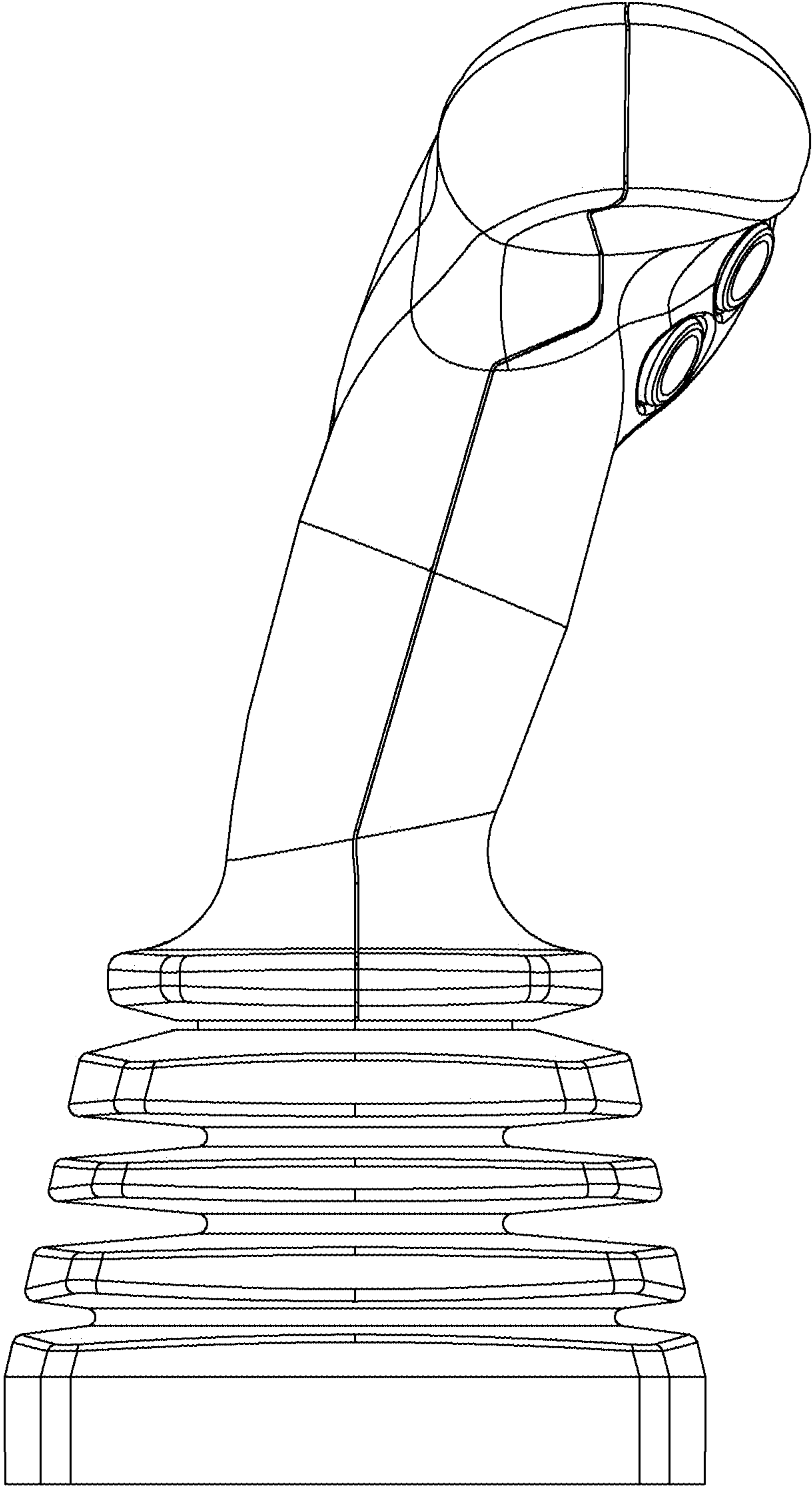


FIG. 2

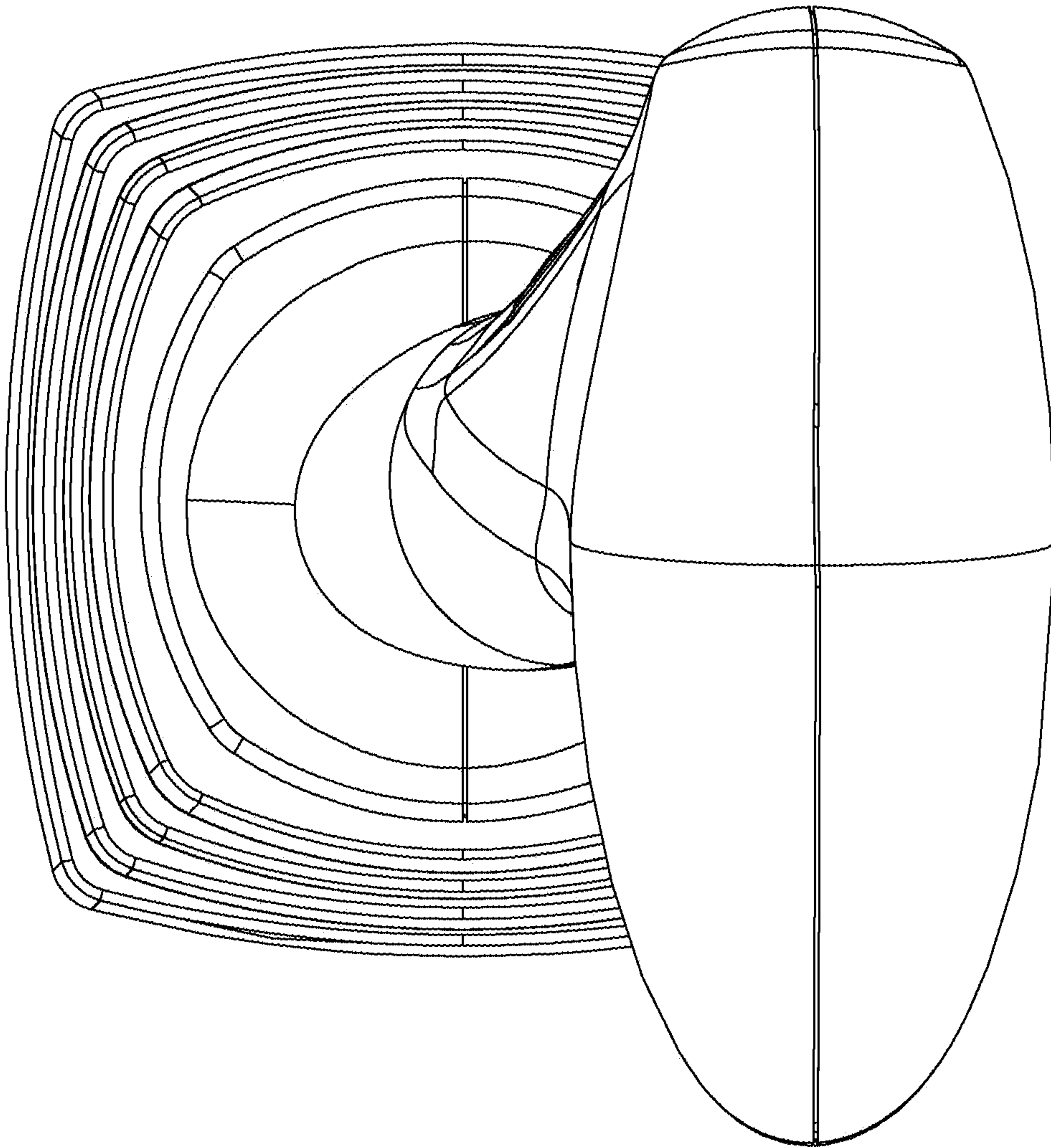


FIG. 3

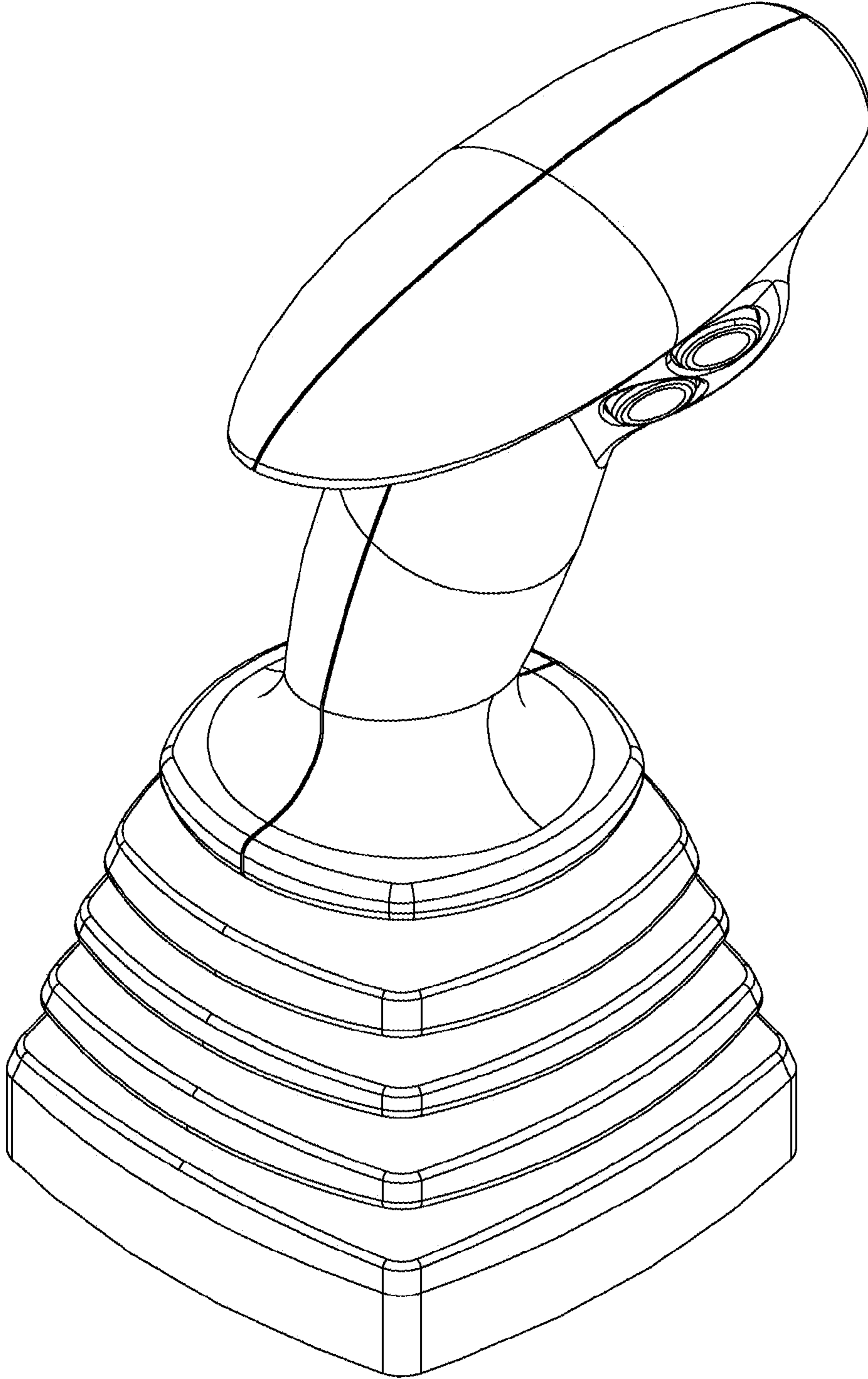


FIG. 4

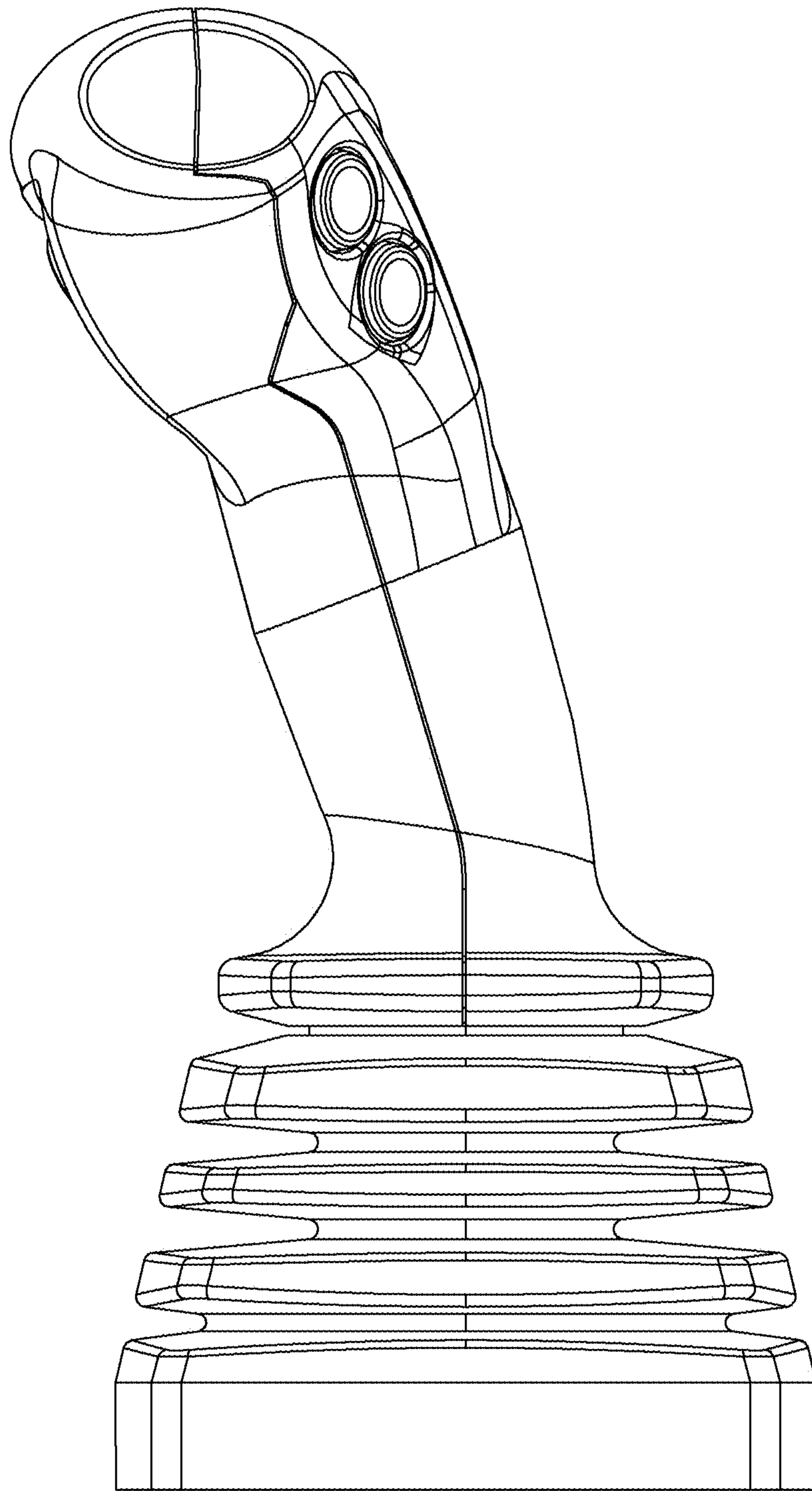


FIG. 5

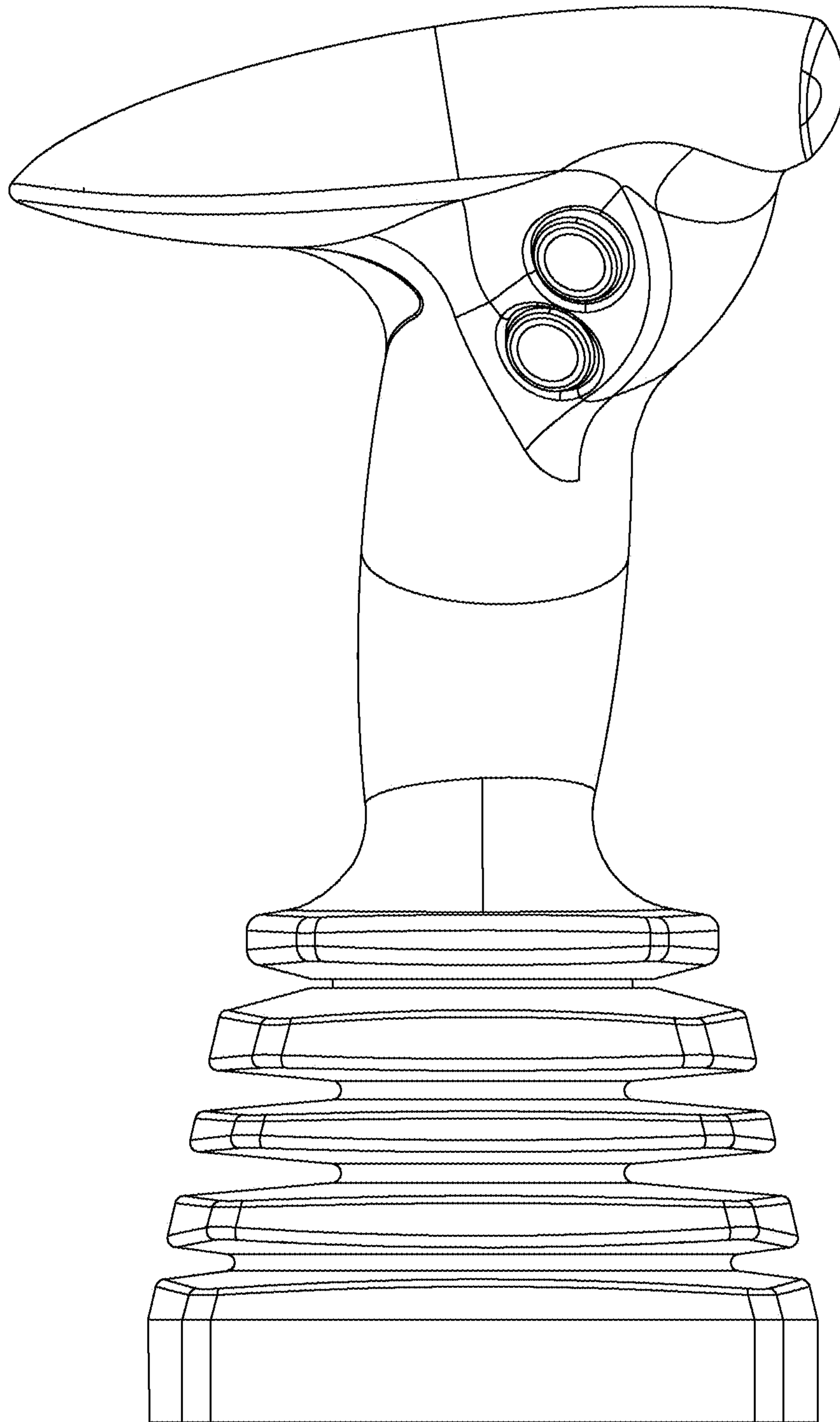


FIG. 6

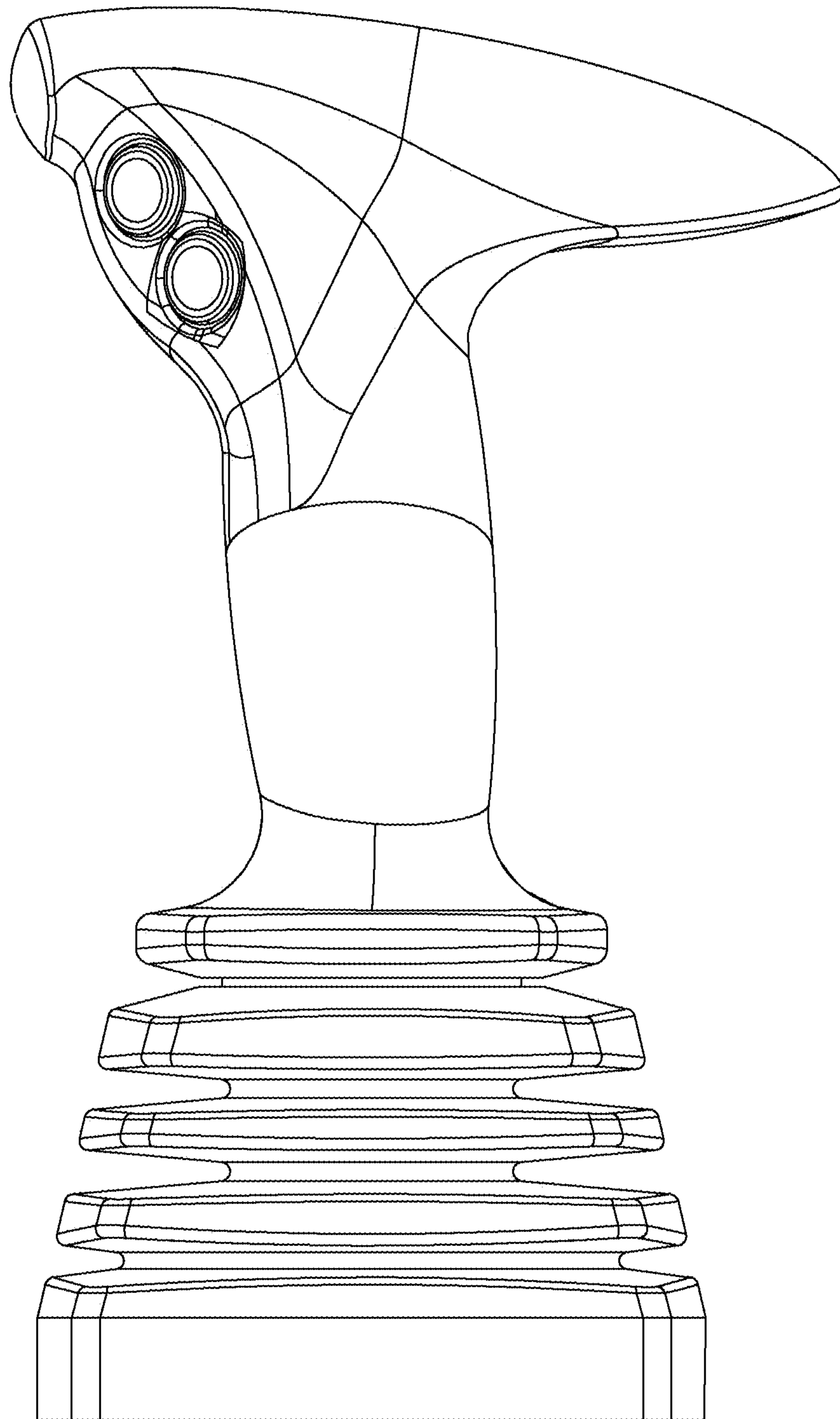


FIG. 7