

US00D720349S

(12) **United States Design Patent**
Comerford et al.

(10) **Patent No.:** **US D720,349 S**

(45) **Date of Patent:** **** Dec. 30, 2014**

(54) **CAP STYLUS**

(71) Applicant: **Sensu Inc.**, Glen Ellyn, IL (US)

(72) Inventors: **Richard Comerford**, Oak Park, IL (US);
Matthew Lynaugh, Austin, TX (US)

(73) Assignee: **Sensu Inc.**, Glen Ellyn, IL (US)

(**) Term: **14 Years**

(21) Appl. No.: **29/495,014**

(22) Filed: **Jun. 26, 2014**

(51) **LOC (10) Cl.** **14-02**

(52) **U.S. Cl.**
USPC **D14/411**

(58) **Field of Classification Search**
CPC G06F 3/016; G06F 3/033; G06F 3/0317;
G06F 3/03545; G06F 3/041; G06K 9/222
USPC D8/61; D14/411; D19/35, 36, 41-51,
D19/54-58; 401/55, 99, 100, 104-107, 196,
401/197, 202, 208, 209, 213, 192, 195,
401/243; 708/107; 345/179, 173;
178/19.01; 700/94
See application file for complete search history.

(56) **References Cited**

U.S. PATENT DOCUMENTS

D352,703 S * 11/1994 Mitcham et al. D14/411
D487,896 S * 3/2004 Tanner, Jr. D14/411

D544,484 S * 6/2007 Hussaini et al. D14/411
D597,547 S * 8/2009 Smith D14/411
D610,145 S * 2/2010 Smith D14/411
D675,621 S * 2/2013 Fletcher et al. D14/411
D684,579 S * 6/2013 Chen D14/411
D694,757 S * 12/2013 Wu D14/411
D701,861 S * 4/2014 Foster et al. D14/411
D704,710 S * 5/2014 Chen D14/411
D706,267 S * 6/2014 Nakata D14/411
D709,886 S * 7/2014 Lin D14/411
D710,853 S * 8/2014 Koenig et al. D14/411

* cited by examiner

Primary Examiner — Austin Murphy

(74) *Attorney, Agent, or Firm* — Richards Patent Law P.C.

(57) **CLAIM**

The ornamental design for a cap stylus, as shown and described.

DESCRIPTION

FIG. 1 is a front perspective view of a cap stylus showing our new design;

FIG. 2 is a front view thereof;

FIG. 3 is a back view thereof;

FIG. 4 is a right side view thereof;

FIG. 5 is a bottom view thereof; and,

FIG. 6 is a top view thereof.

Those portions of the figures that are presented in broken lines merely illustrate the environment of the design and are not part of the claimed design.

1 Claim, 3 Drawing Sheets

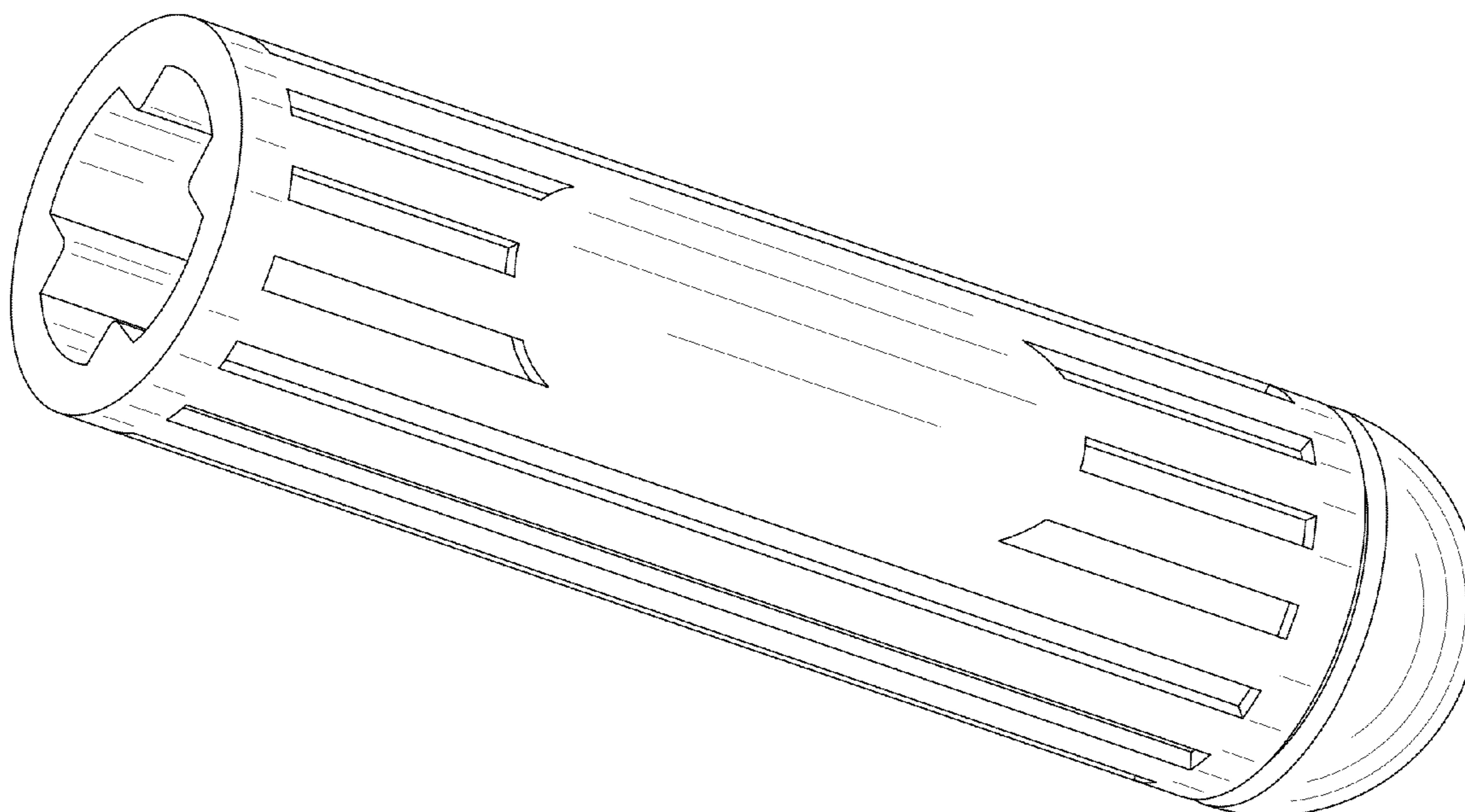


FIG. 1

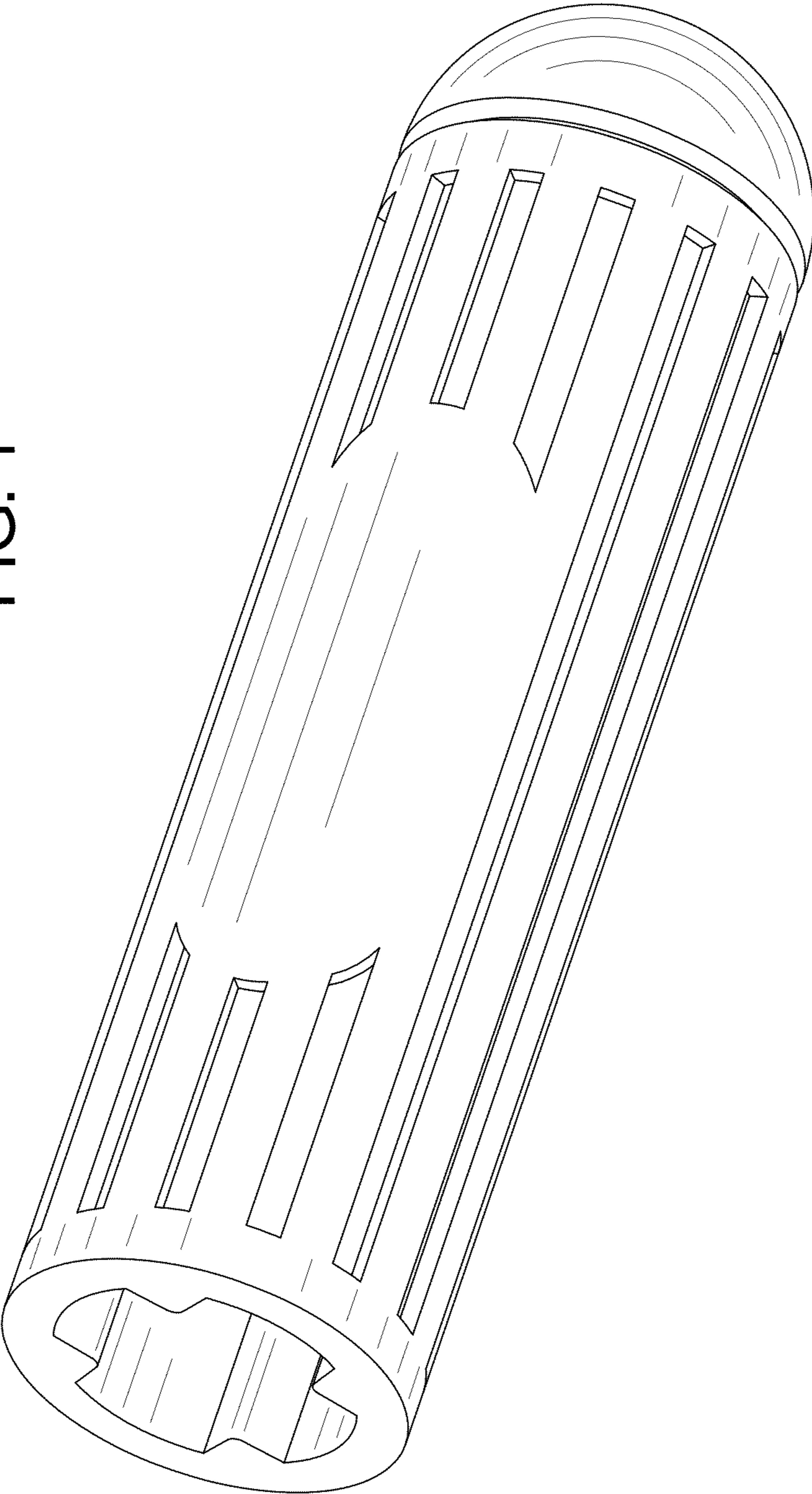


FIG. 2

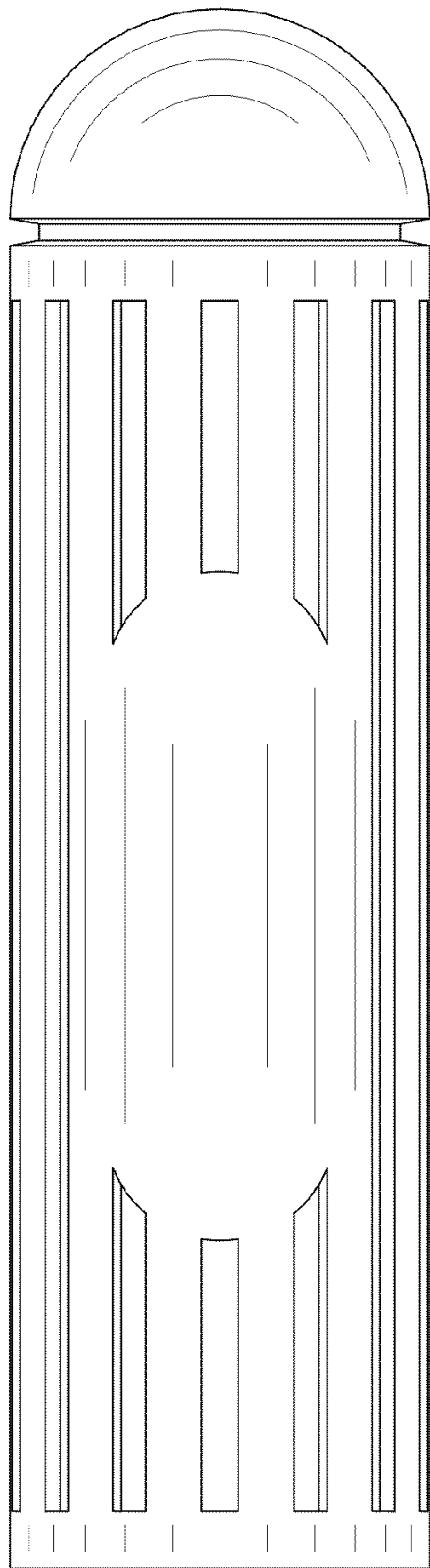


FIG. 3

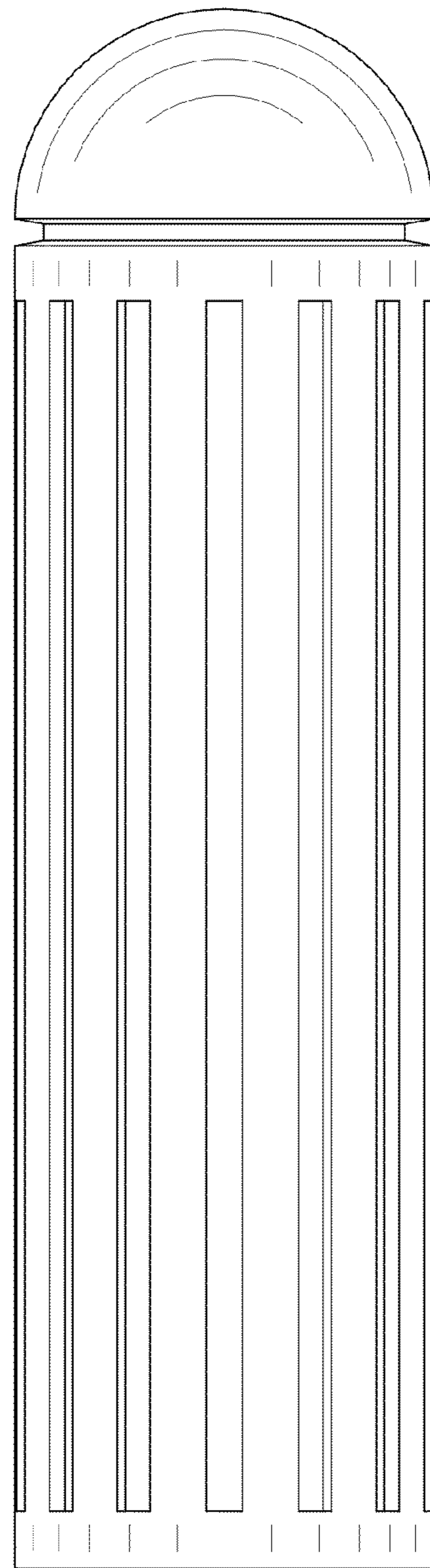


FIG. 4

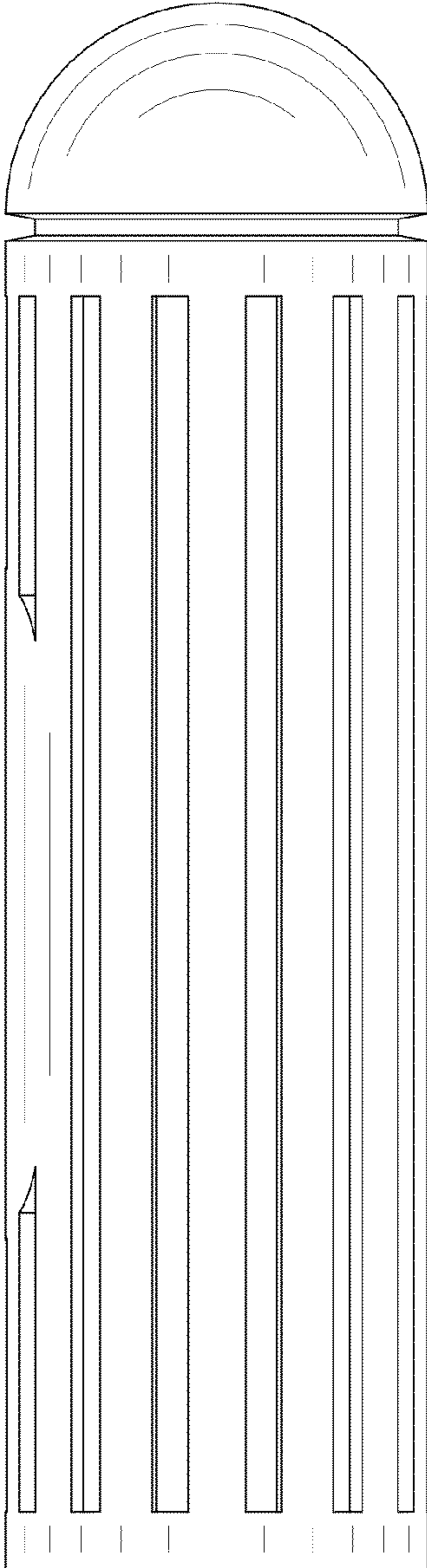


FIG. 5

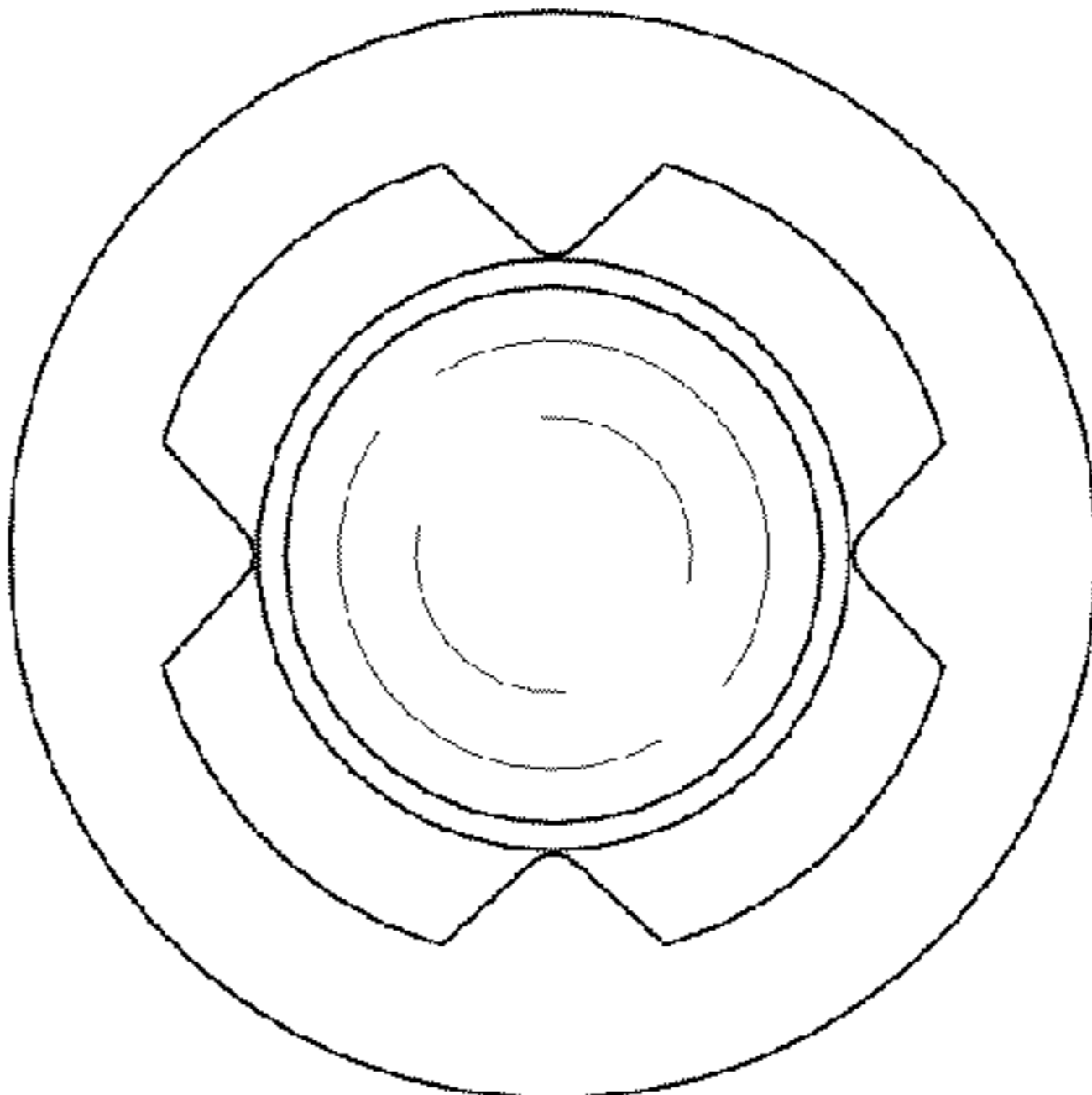


FIG. 6

