



US00D720347S

(12) **United States Design Patent**
Lo

(10) **Patent No.:** **US D720,347 S**

(45) **Date of Patent:** **** *Dec. 30, 2014**

(54) **MINI PERSONAL COMPUTER**

(75) Inventor: **Po Man Lo**, Hong Kong (CN)

(73) Assignee: **Zotac International (Macao Commercial Offshore)**, Macao (CN)

(*) Notice: This patent is subject to a terminal disclaimer.

(**) Term: **14 Years**

(21) Appl. No.: **29/404,479**

(22) Filed: **Oct. 21, 2011**

(51) **LOC (10) Cl.** **14-02**

(52) **U.S. Cl.**
USPC **D14/348**

(58) **Field of Classification Search**
USPC D14/348-356, 300, 301, 308; D13/162,
D13/184, 199; 312/223.1-223.2;
360/99.01-99.12; 369/34.01, 36.01;
361/679.01, 679.6, 679.22
See application file for complete search history.

(56) **References Cited**

U.S. PATENT DOCUMENTS

6,104,616 A * 8/2000 Benson et al. 361/724
D471,541 S * 3/2003 Tomino et al. D14/240
D540,318 S * 4/2007 Wang D14/300

D568,312 S * 5/2008 Wang et al. D14/356
D585,055 S * 1/2009 Sabag et al. D14/300
D585,446 S * 1/2009 Sun et al. D14/349
D604,725 S * 11/2009 Chen D14/240
D643,035 S * 8/2011 Chen et al. D14/349

* cited by examiner

Primary Examiner — Freda S Nunn

(74) *Attorney, Agent, or Firm* — Syncoda LLC; Feng Ma

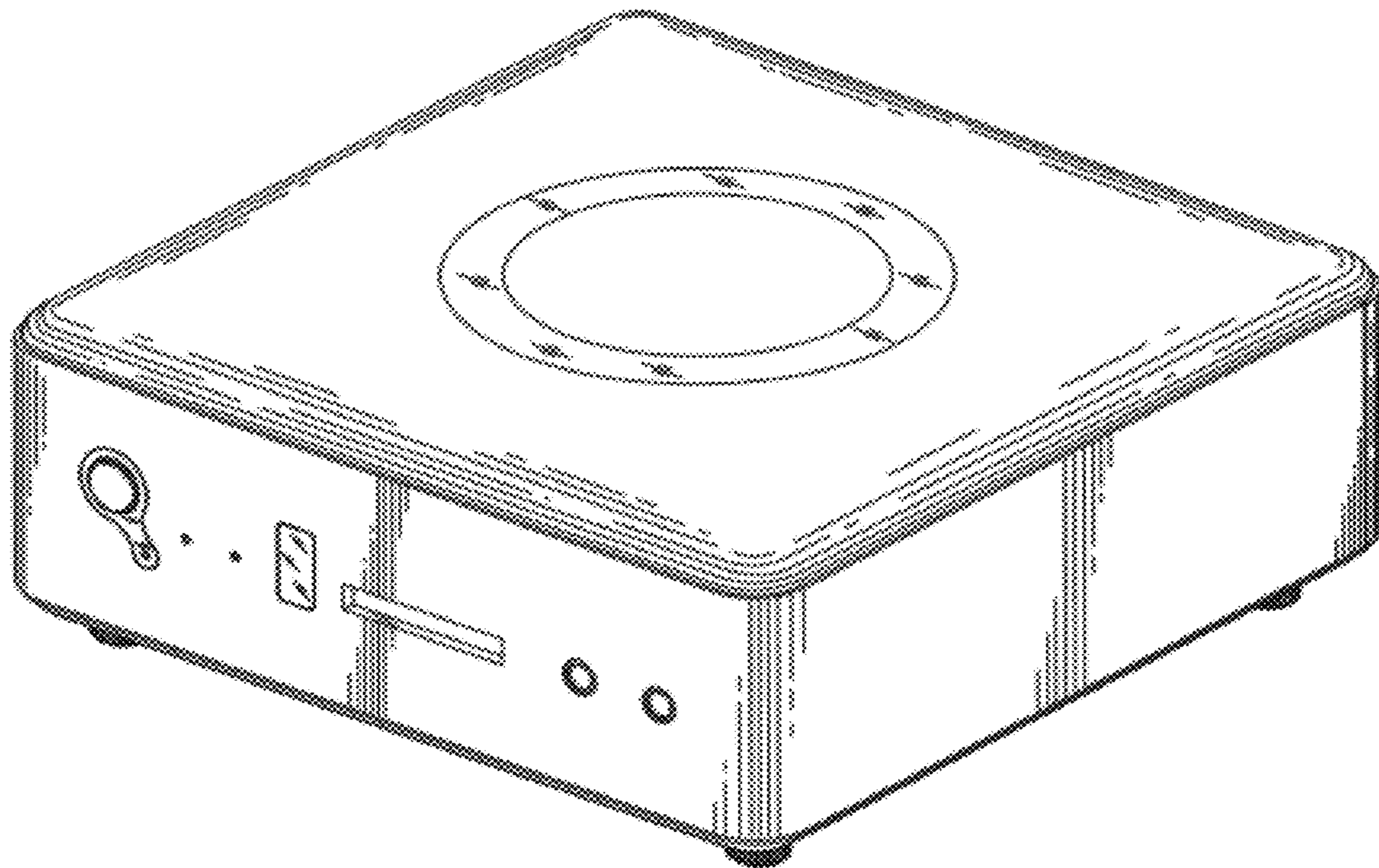
(57) **CLAIM**

The ornamental design for a mini personal computer, as shown and described.

DESCRIPTION

FIG. 1 is a top perspective view of a mini personal computer showing my new design, in accordance with the present invention;
FIG. 2 is a front view thereof;
FIG. 3 is a rear view thereof;
FIG. 4 is a left side view thereof;
FIG. 5 is a right side view thereof;
FIG. 6 is a top plan view thereof;
FIG. 7 is a bottom plan view thereof; and,
FIG. 8 is a bottom perspective view thereof.
Broken lines shown in the drawings illustrate portions of the mini personal computer, and form no part of the claimed design.

1 Claim, 8 Drawing Sheets



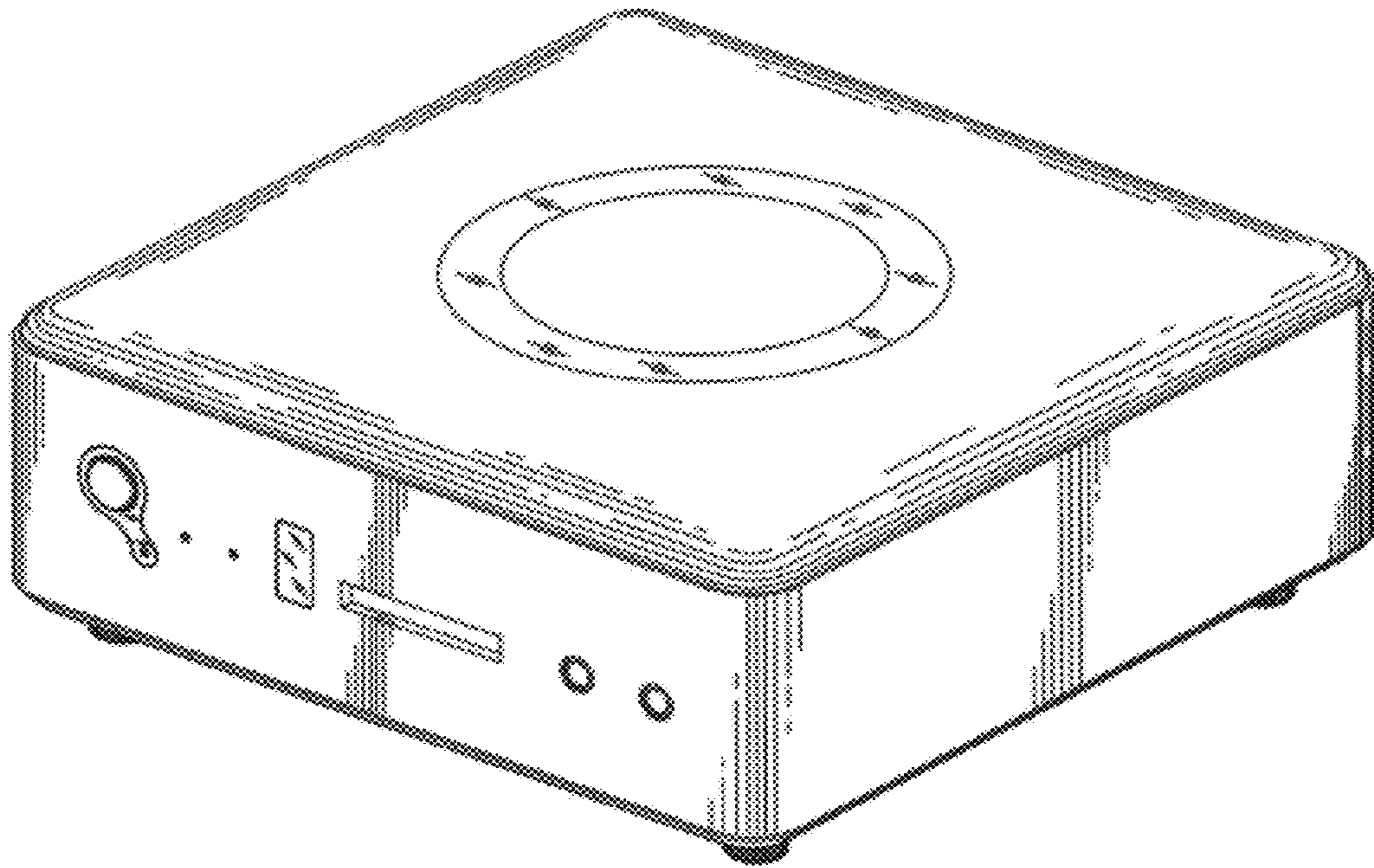


FIG. 1

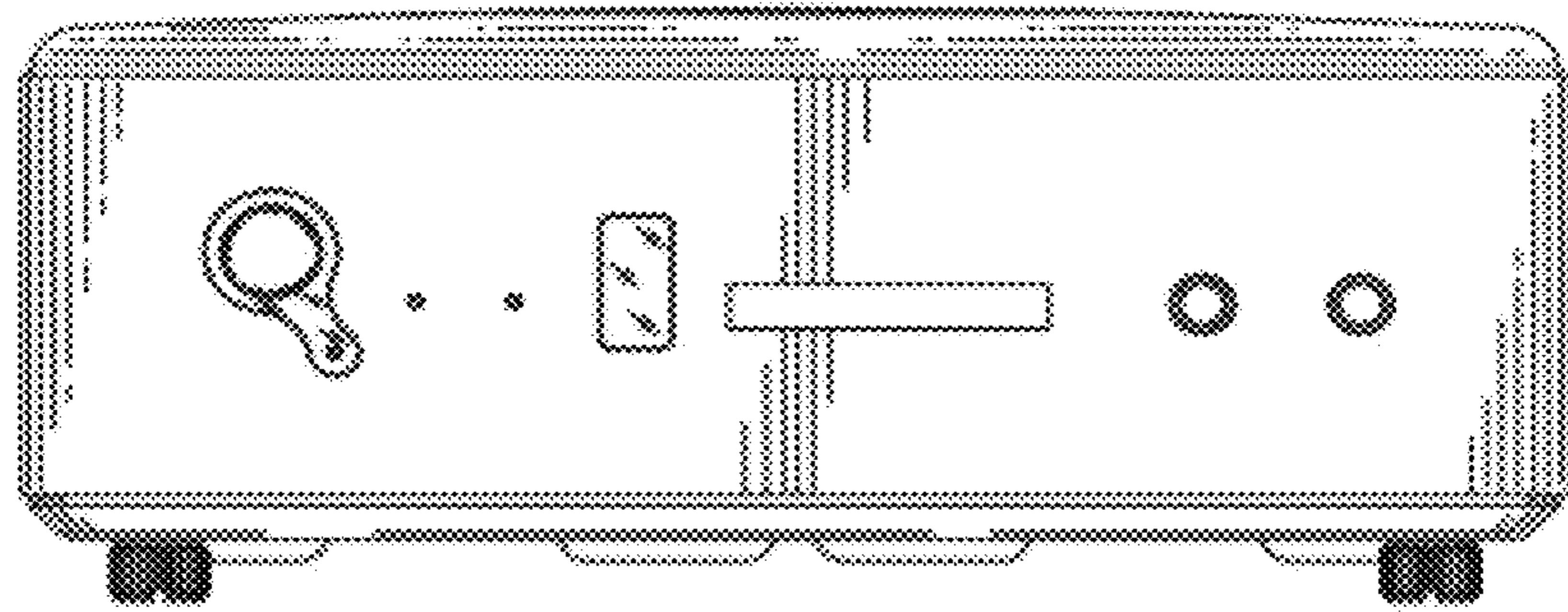


FIG. 2

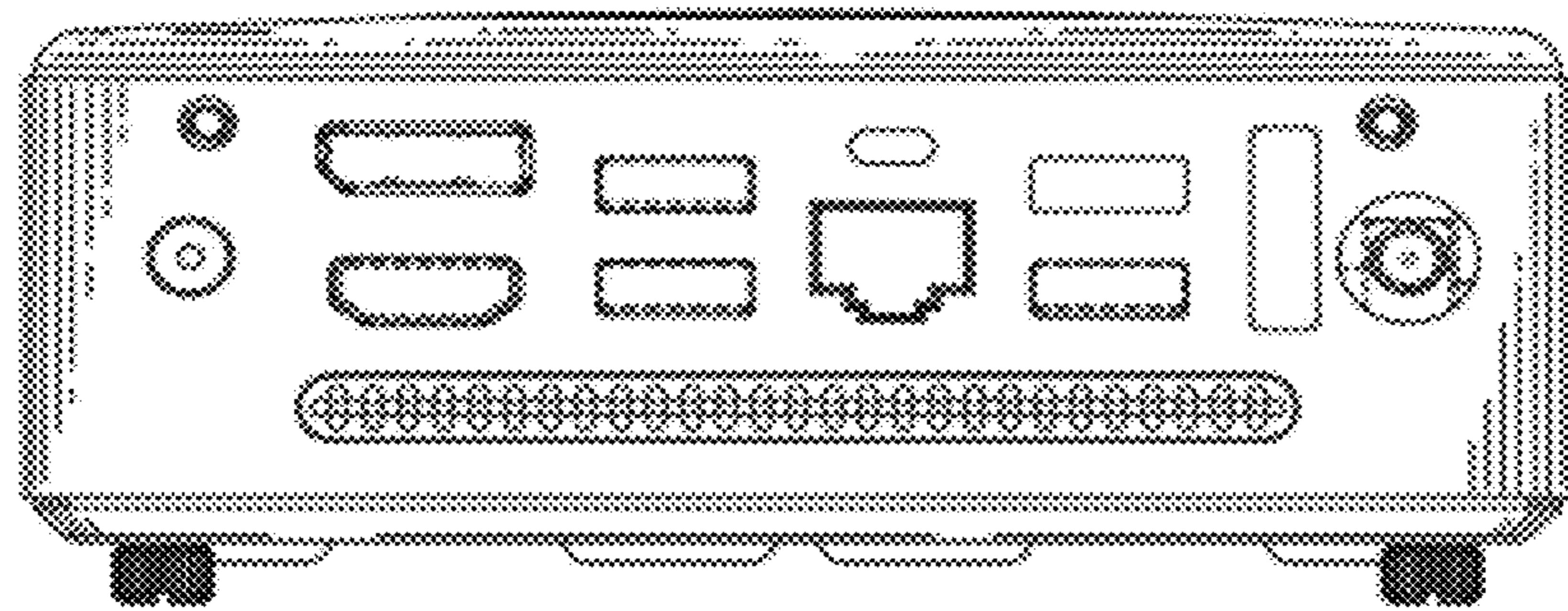


FIG. 3

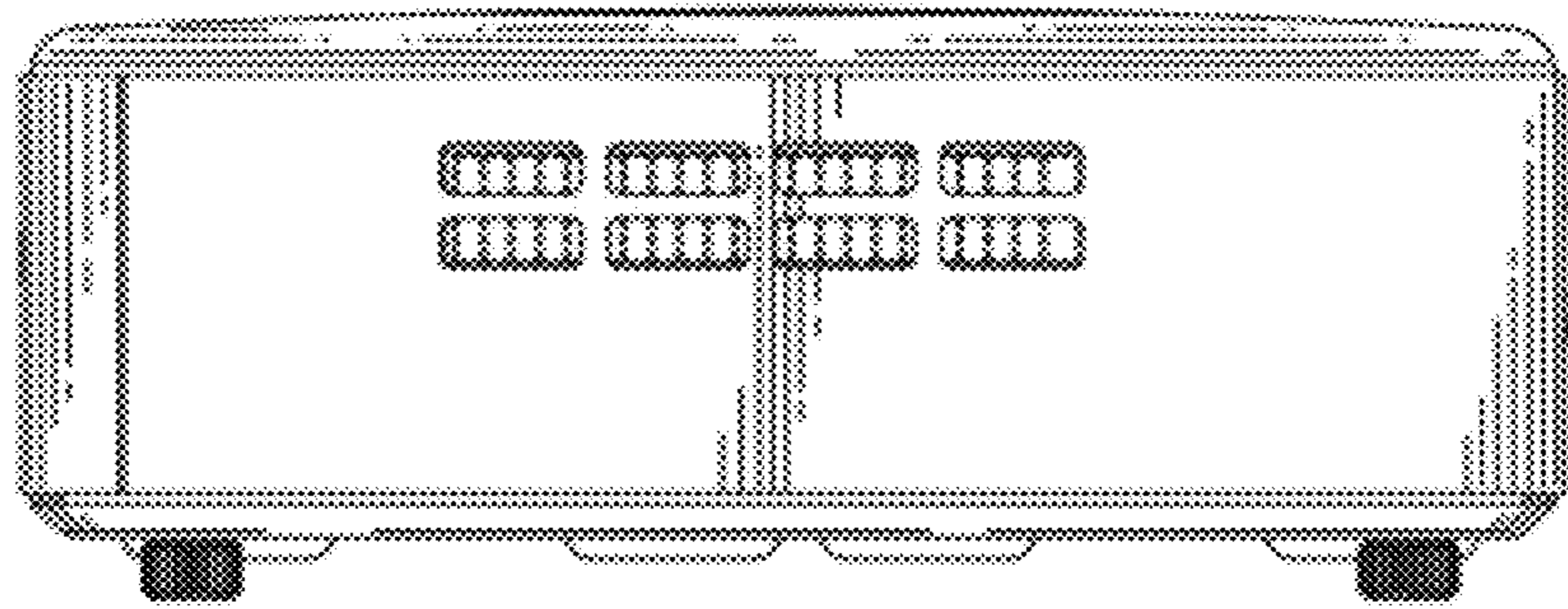


FIG. 4

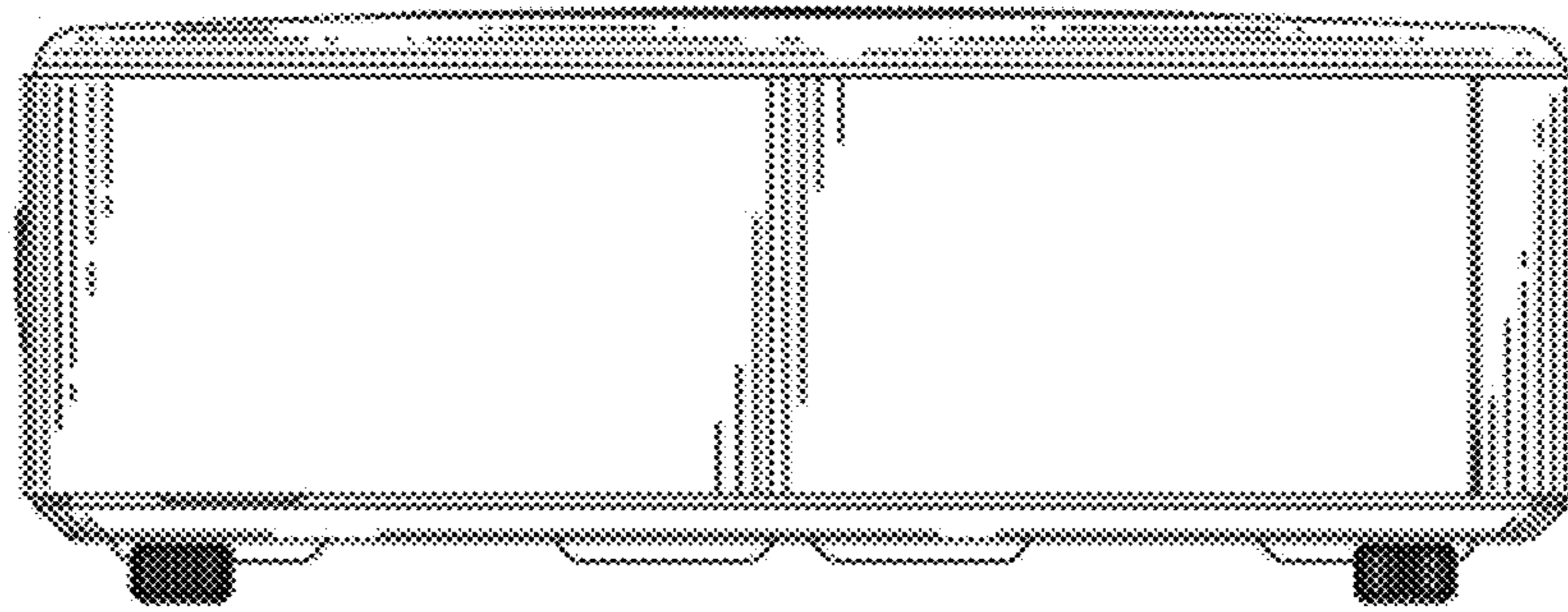


FIG. 5

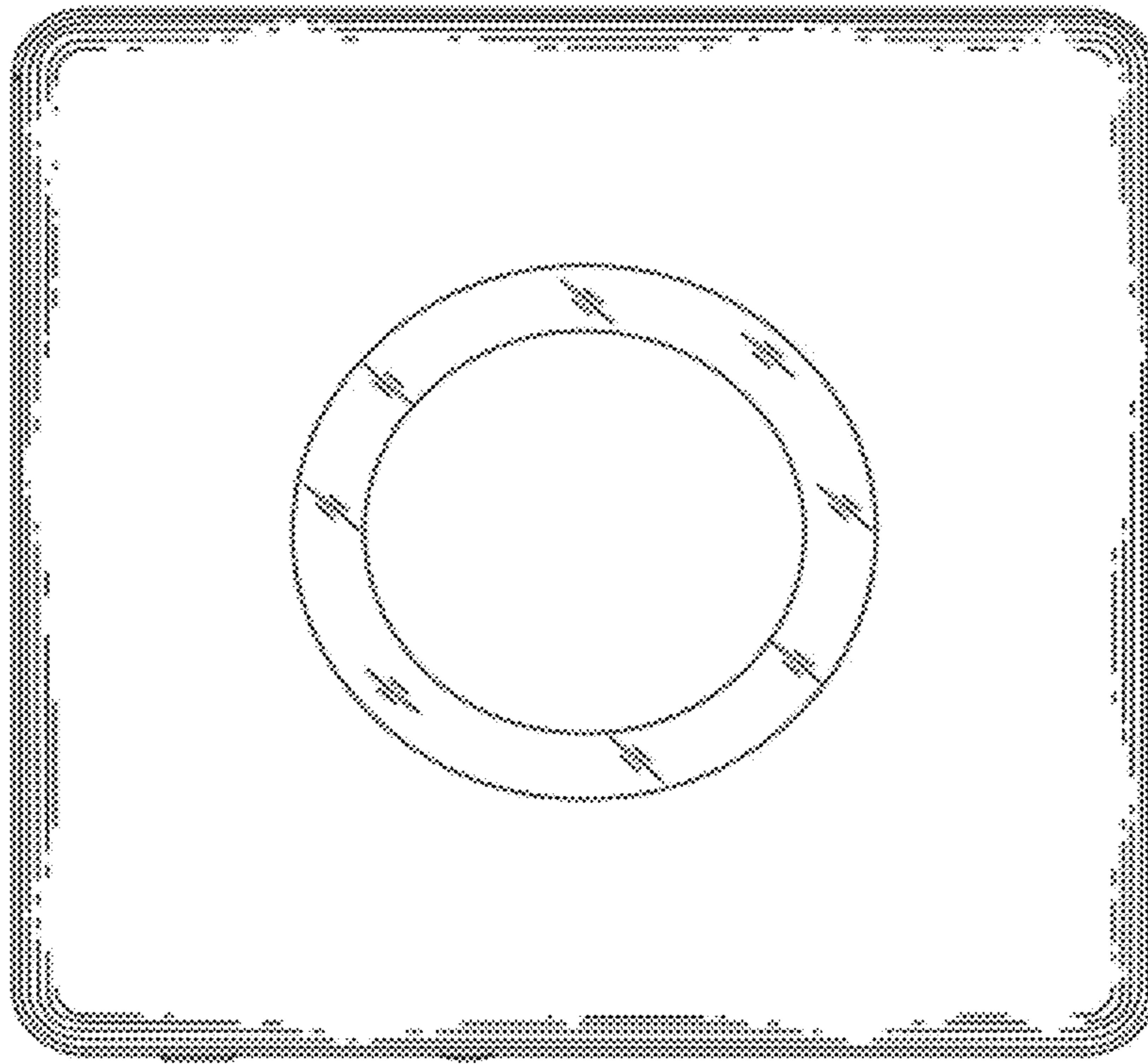


FIG. 6

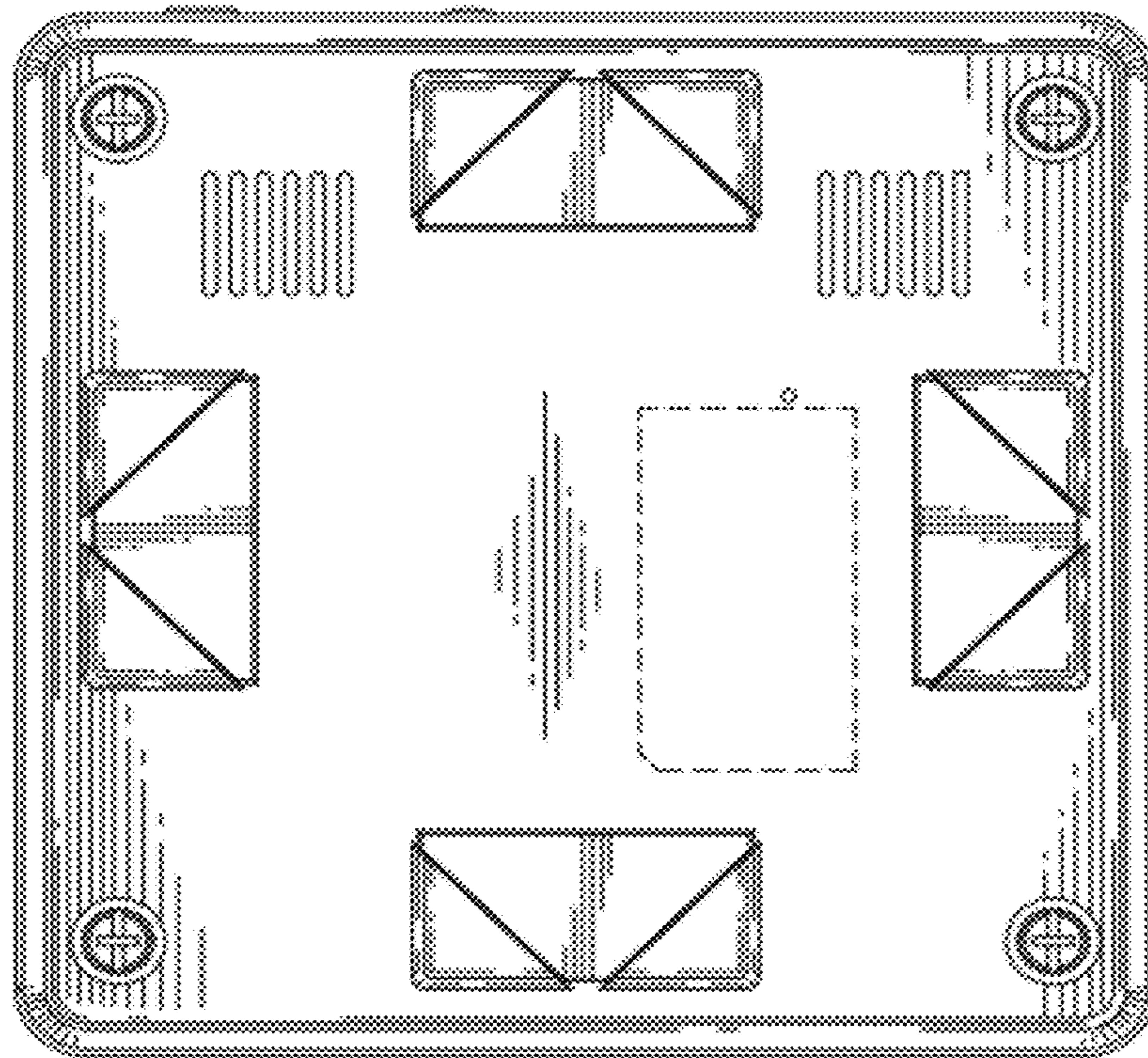


FIG. 7

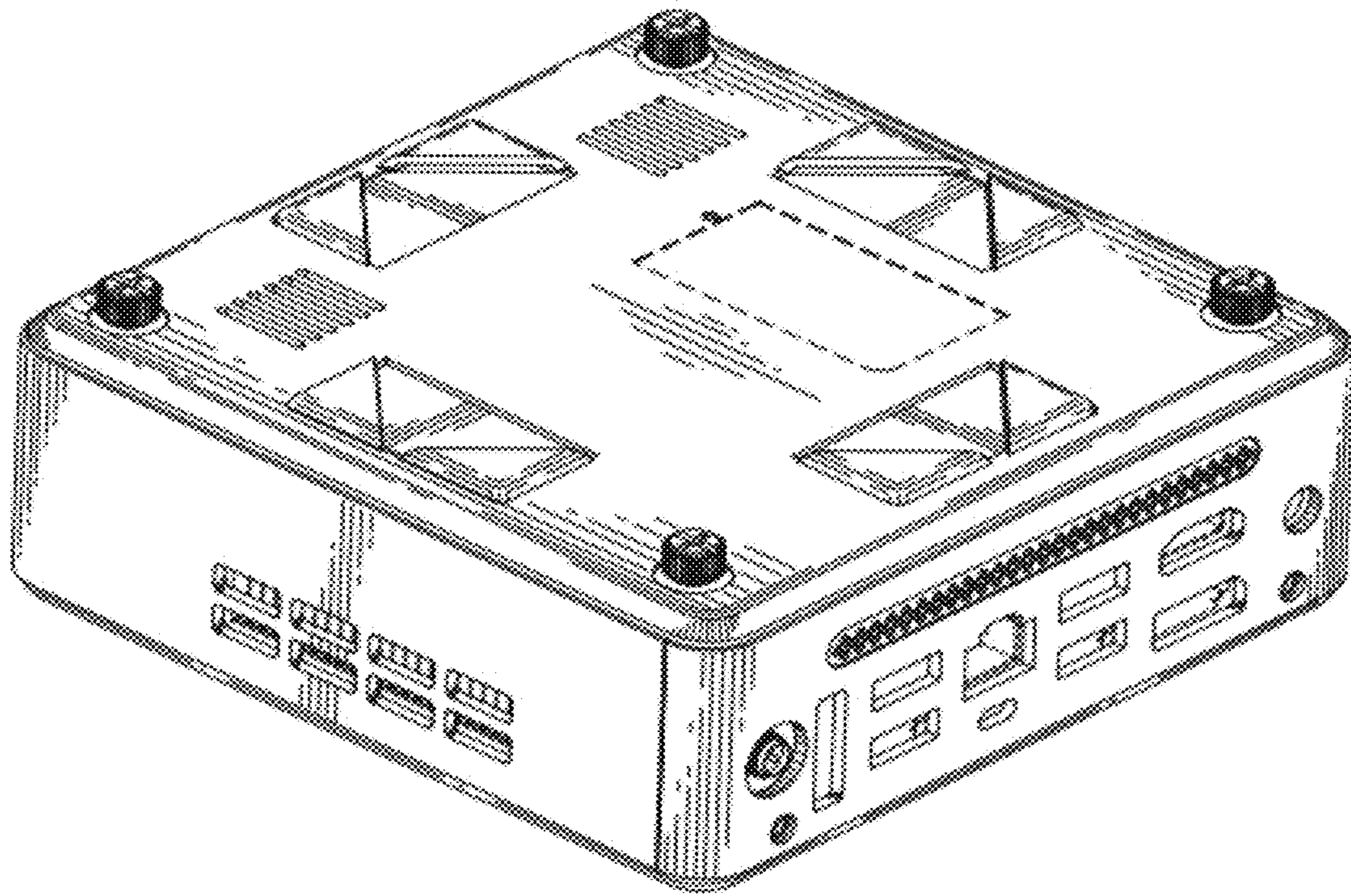


FIG. 8