



US00D720346S

(12) **United States Design Patent**  
**Davis**

(10) **Patent No.:** **US D720,346 S**

(45) **Date of Patent:** **\*\* Dec. 30, 2014**

(54) **PORTABLE DATA COLLECTOR**

(71) Applicant: **Videx, Inc.**, Corvallis, OR (US)

(72) Inventor: **Paul R. Davis**, Corvallis, OR (US)

(73) Assignee: **Videx, Inc.**, Corvallis, OR (US)

(\*\*) Term: **14 Years**

(21) Appl. No.: **29/486,583**

(22) Filed: **Mar. 31, 2014**

(51) **LOC (10) Cl.** ..... **14-02**

(52) **U.S. Cl.**

USPC ..... **D14/341**

(58) **Field of Classification Search**

USPC ..... D14/341-347, 137, 138 R, 138 AA,  
D14/138 C, 138 G, 496, 203.1, 203.3, 203.4,  
D14/203.7, 129, 130, 147, 218, 247, 248,  
D14/388, 389, 315-318, 420, 426; D10/65,  
D10/104.1; D18/6, 7; D21/324, 329, 330,  
D21/332; 455/556.1, 556.2, 566, 575.1,  
455/90.3; 379/433.04, 433.01, 433.06, 916;  
345/173, 901, 905; 361/679.26,  
361/679.27, 679.3, 679.55, 679.56;  
D6/308, 310; D19/25, 50-60

See application file for complete search history.

(56) **References Cited**

**U.S. PATENT DOCUMENTS**

D262,899 S \* 2/1982 Kroll ..... D21/469  
D336,291 S \* 6/1993 Shimose ..... D14/129  
D370,892 S \* 6/1996 Shima et al. .... D14/314  
D407,007 S \* 3/1999 Sacco et al. .... D8/347  
D513,011 S \* 12/2005 Johnson ..... D14/203.7  
D550,952 S \* 9/2007 Rimon ..... D3/207

D567,206 S \* 4/2008 Daley et al. .... D14/138 AD  
D637,992 S \* 5/2011 Tom et al. .... D14/138 G  
D643,006 S \* 8/2011 Han et al. .... D14/138 G  
D646,254 S \* 10/2011 Kim et al. .... D14/138 G  
D659,569 S \* 5/2012 Shadovitz ..... D10/65  
D663,319 S \* 7/2012 Chen et al. .... D14/496  
D669,892 S \* 10/2012 Hofer et al. .... D14/341  
D682,237 S \* 5/2013 Cai ..... D14/138 G  
D682,245 S \* 5/2013 Harmon et al. .... D14/138 G  
D688,221 S \* 8/2013 Zuffo et al. .... D14/138 G  
D688,223 S \* 8/2013 Oh ..... D14/138 G  
D698,679 S \* 2/2014 Lindley ..... D10/106.9  
D703,664 S \* 4/2014 Spiro et al. .... D14/341

\* cited by examiner

*Primary Examiner* — Barbara Fox

*Assistant Examiner* — Dana Weiland

(74) *Attorney, Agent, or Firm* — Matthew D. Eskue

(57) **CLAIM**

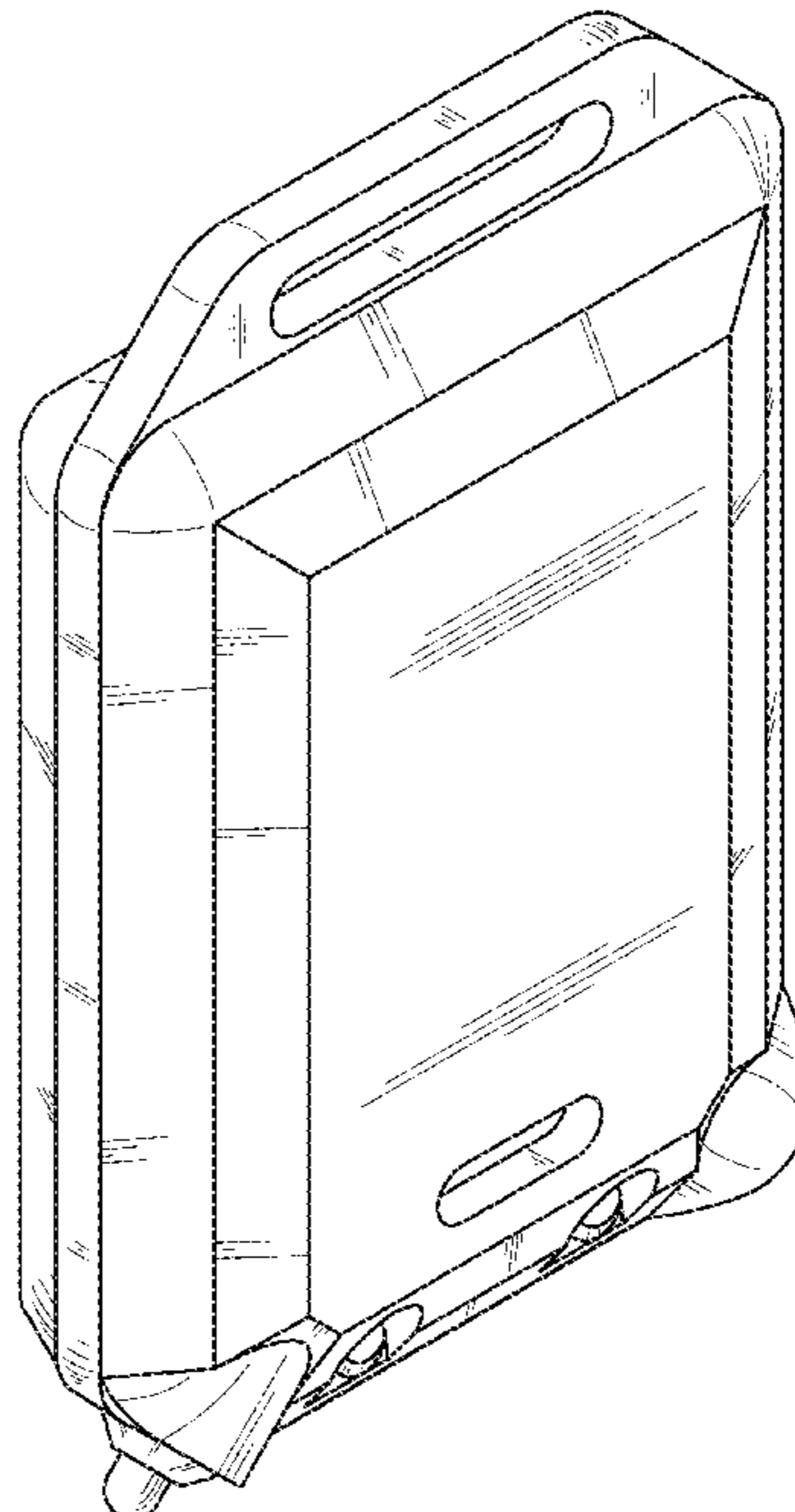
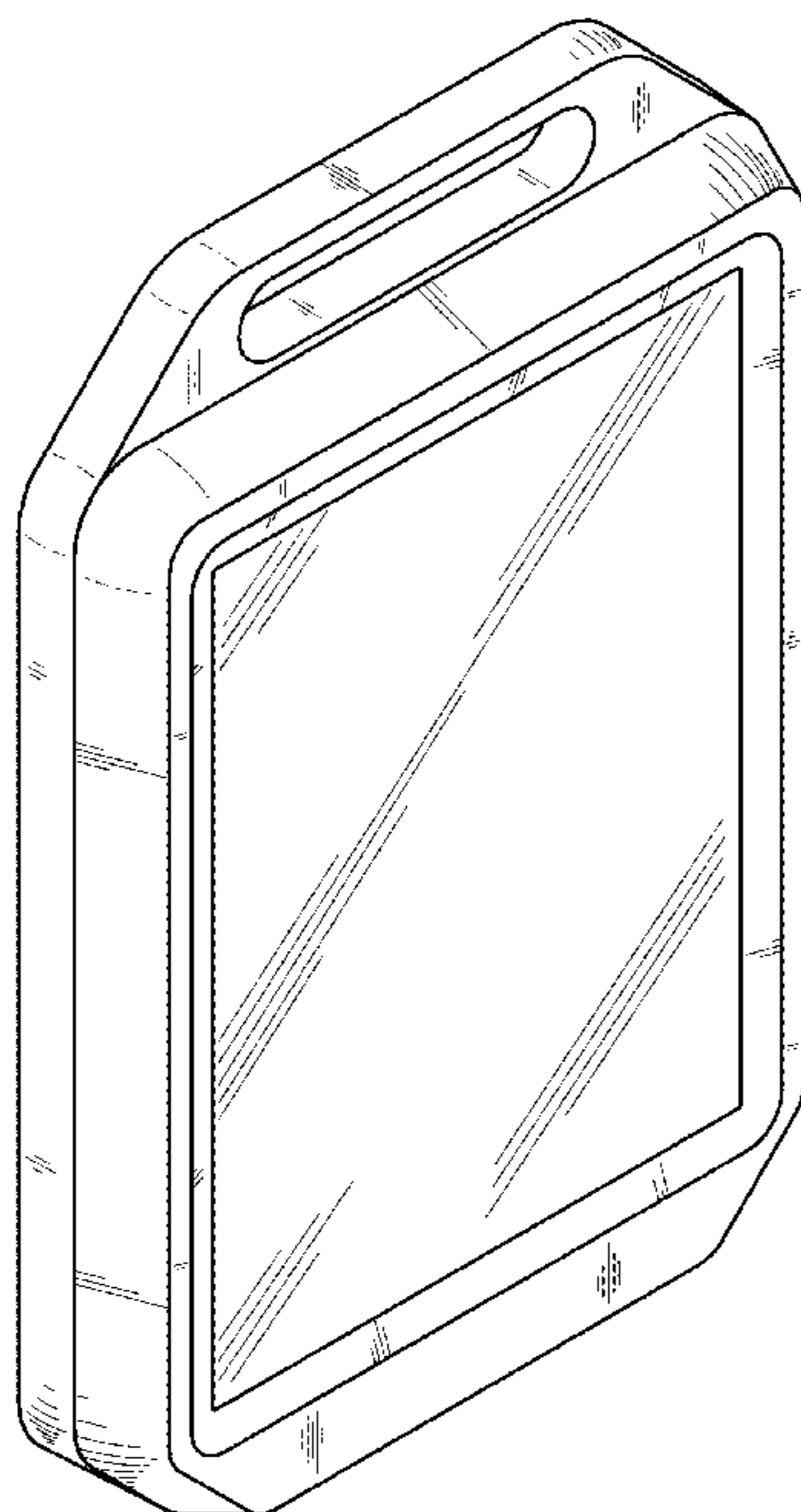
The ornamental design for a portable data collector, as shown and described.

**DESCRIPTION**

FIG. 1 is a top, front and left side perspective view of a portable data collector showing my new design;  
FIG. 2 is a top, rear and right side perspective view thereof;  
FIG. 3 is a front elevational view thereof;  
FIG. 4 is a rear elevational view thereof;  
FIG. 5 is a left side elevational view thereof;  
FIG. 6 is a right side elevational view thereof;  
FIG. 7 is a top plan view thereof; and,  
FIG. 8 is a bottom plan view thereof.

The broken lines of FIG. 5 and FIG. 8 illustrate portions of the portable data collector which form no part of the claimed design.

**1 Claim, 8 Drawing Sheets**



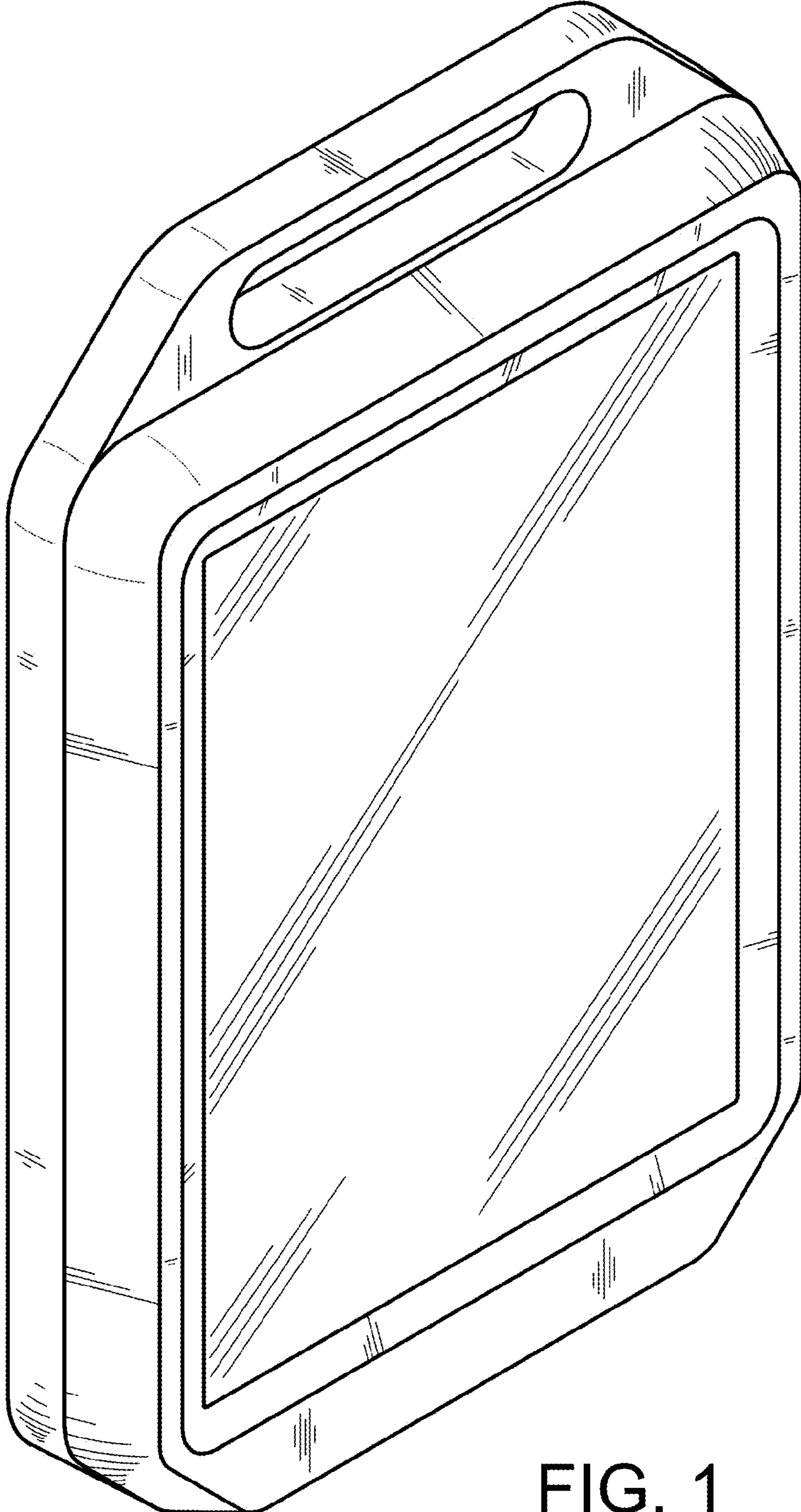


FIG. 1

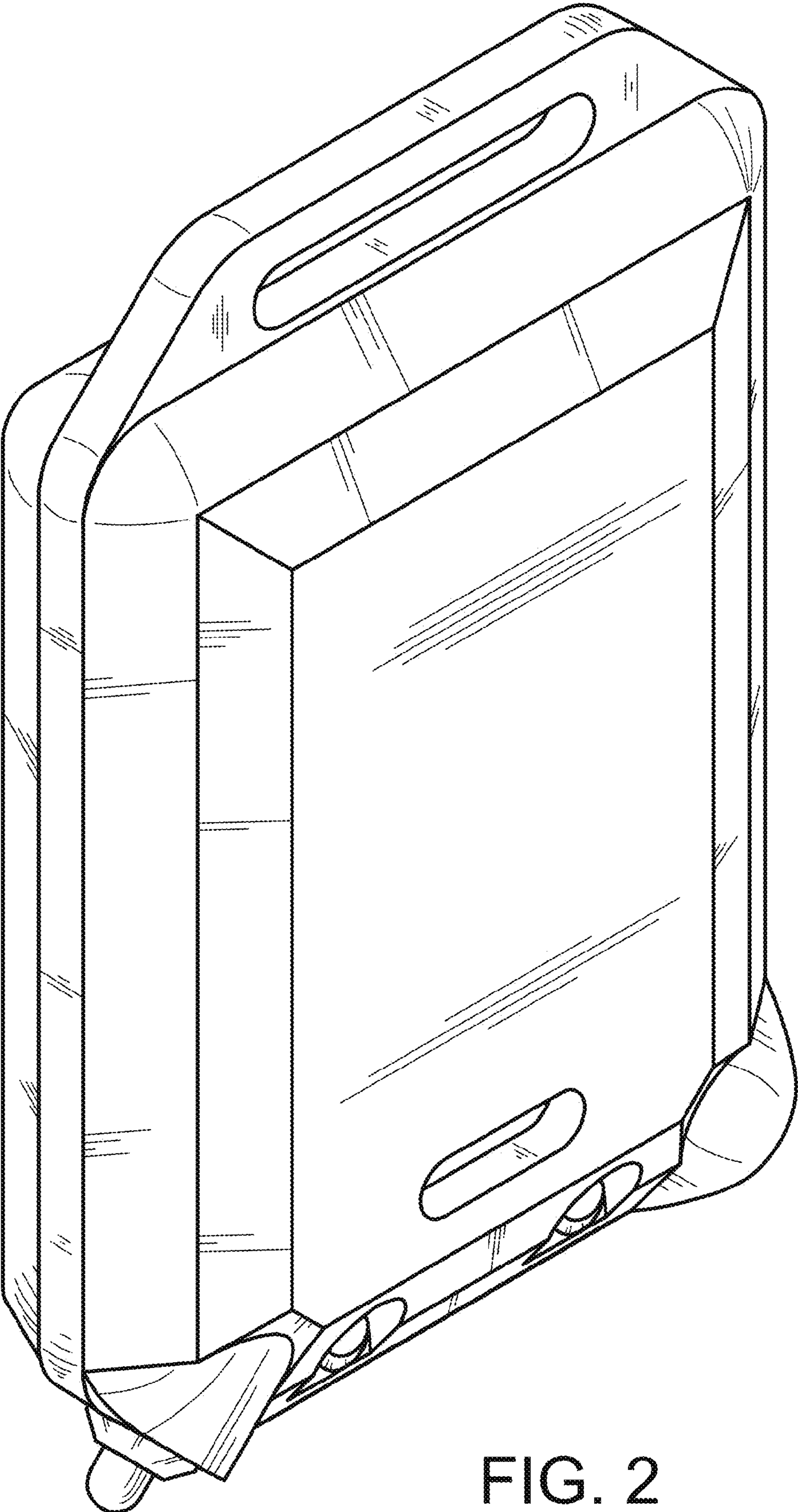


FIG. 2



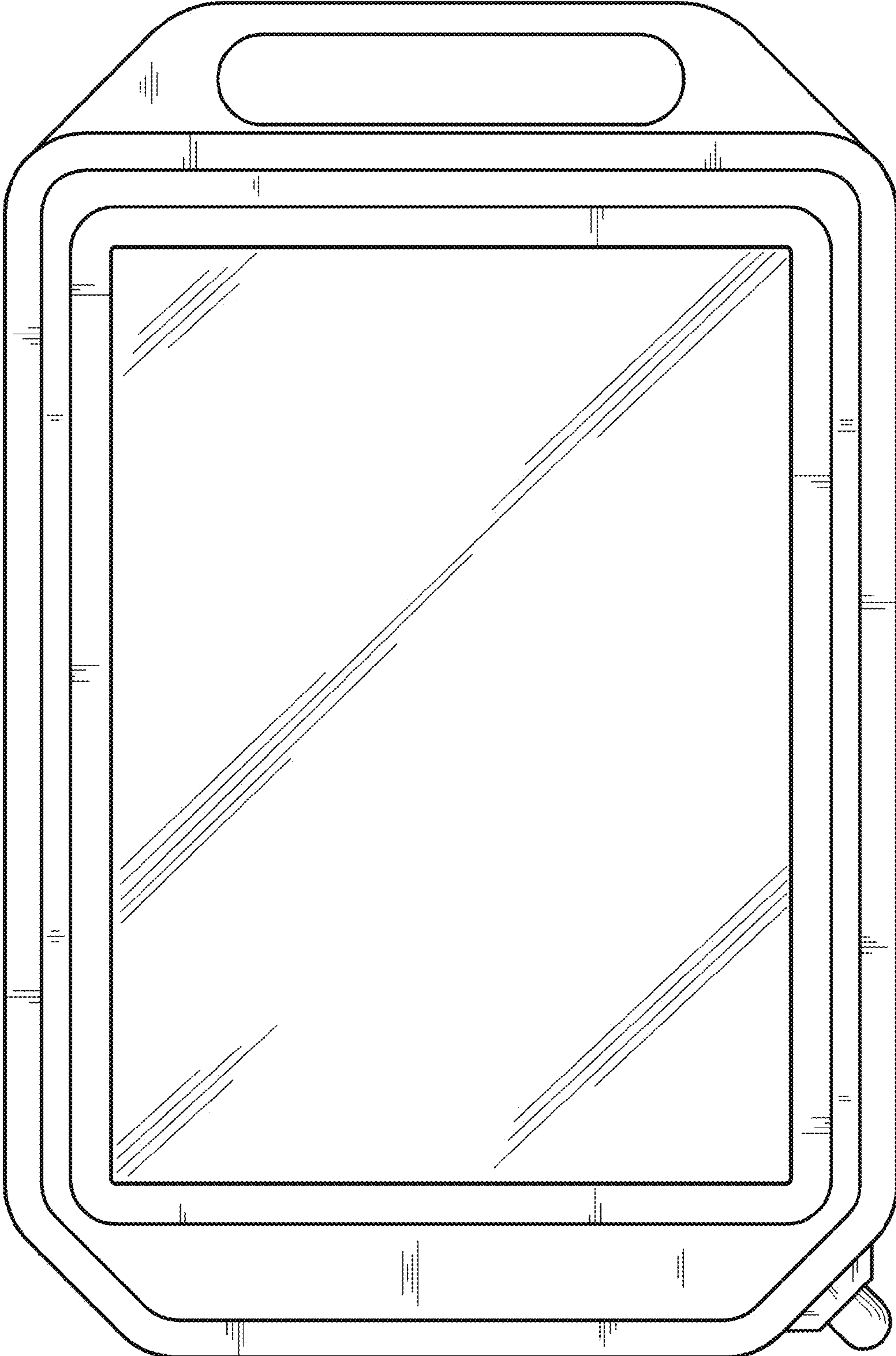


FIG. 3

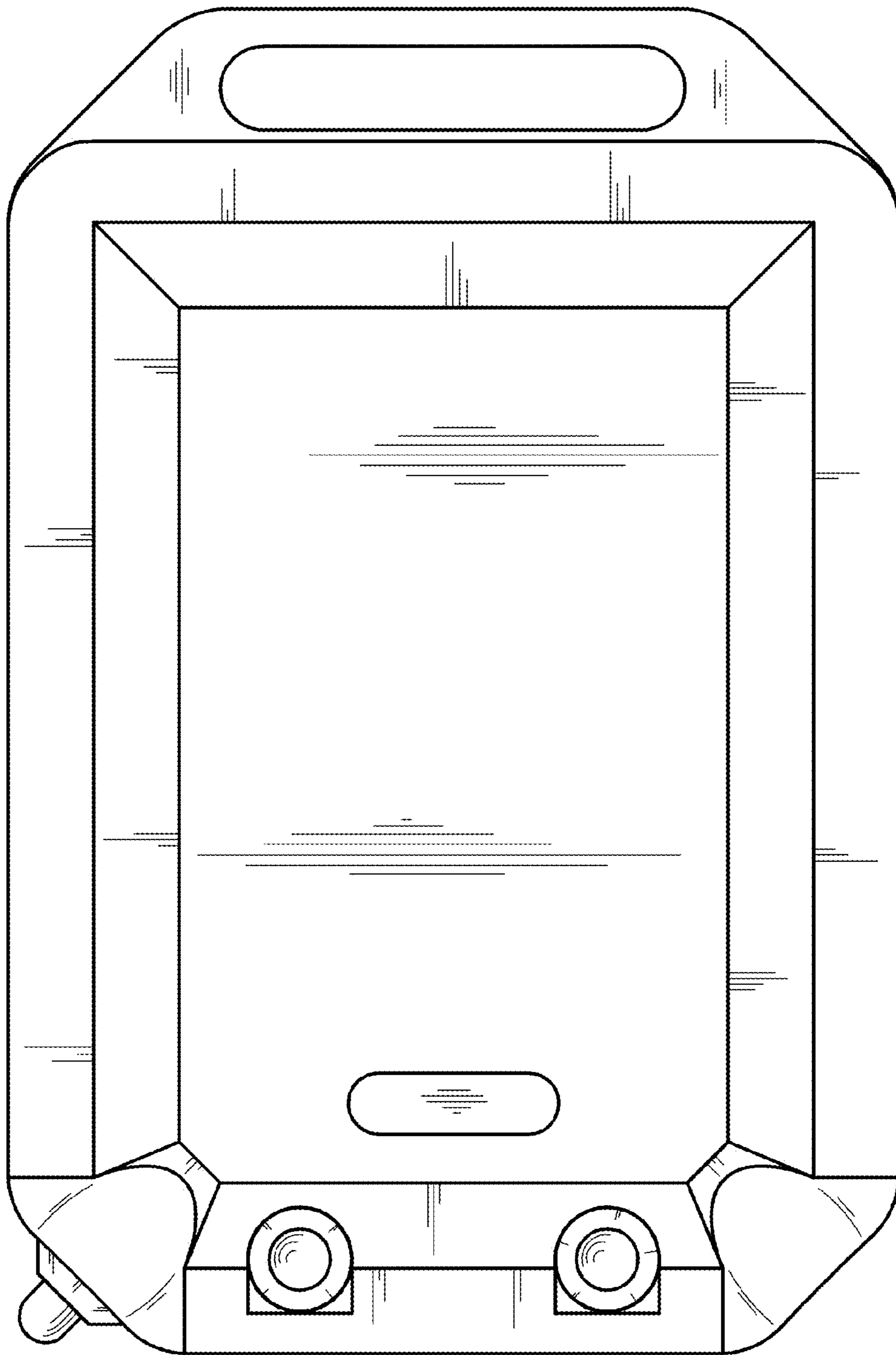


FIG. 4

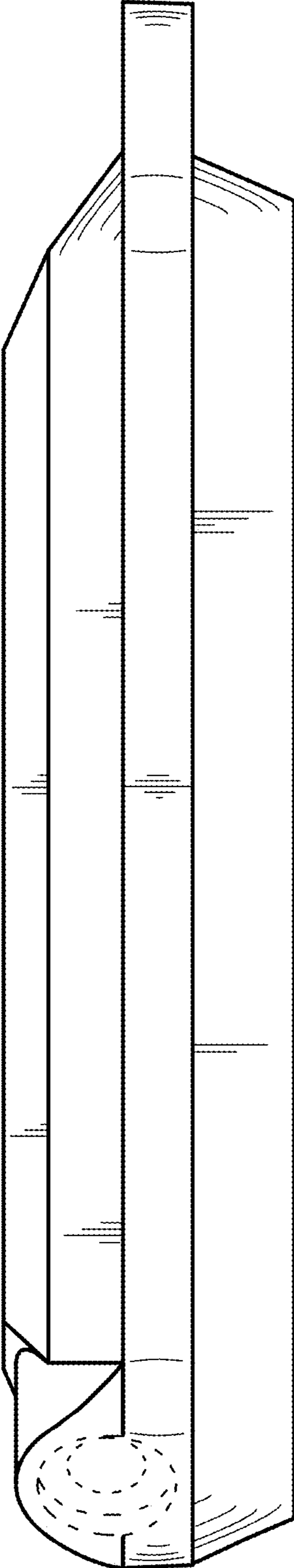


FIG. 5

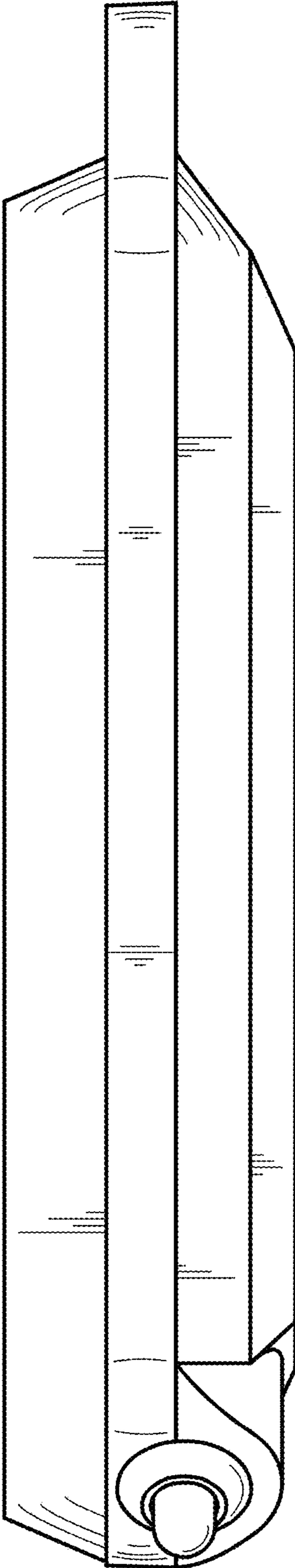


FIG. 6

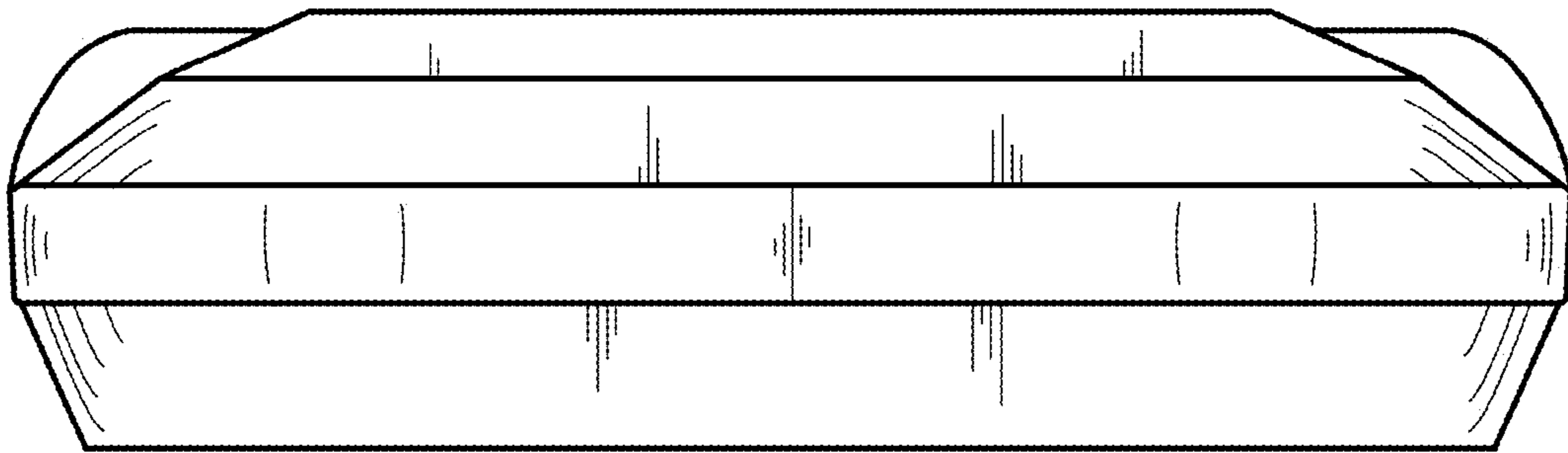


FIG. 7



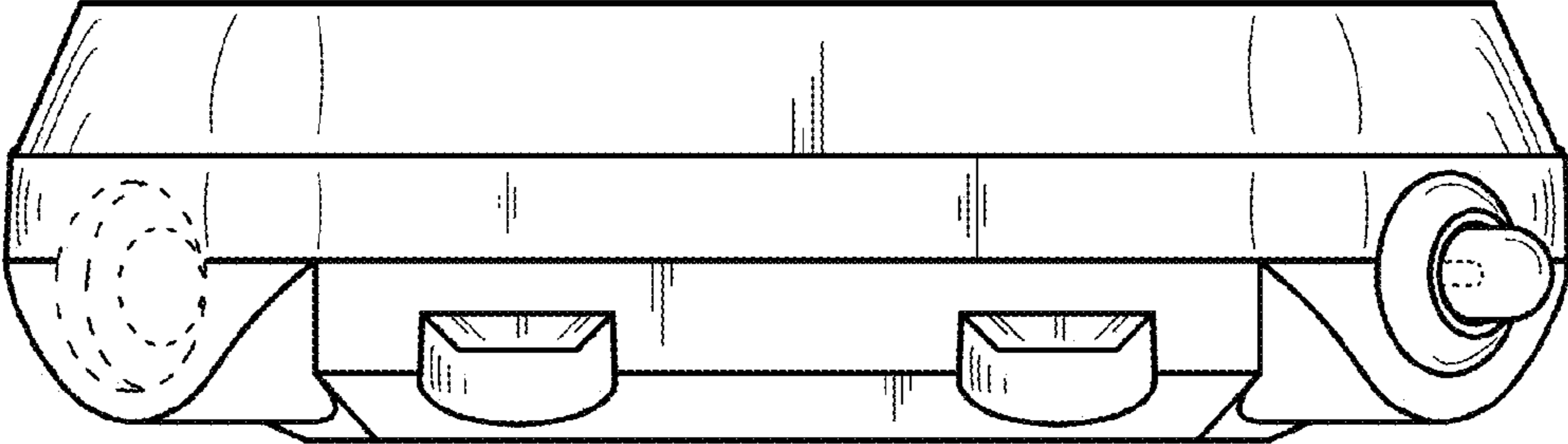


FIG. 8