



US00D720341S

(12) **United States Design Patent**
Sharudenko

(10) **Patent No.:** **US D720,341 S**

(45) **Date of Patent:** **** Dec. 30, 2014**

(54) **CASE FOR A MOBILE PHONE**

(71) Applicant: **Andrey Sharudenko**, Los Angeles, CA
(US)

(72) Inventor: **Andrey Sharudenko**, Los Angeles, CA
(US)

(**) Term: **14 Years**

(21) Appl. No.: **29/458,455**

(22) Filed: **Jun. 19, 2013**

(51) **LOC (10) Cl.** **14-03**

(52) **U.S. Cl.**
USPC **D14/250**

(58) **Field of Classification Search**
USPC D14/238.1, 248, 250, 251–253, 440,
D14/447; D13/103, 107–108, 119; D3/201,
D3/218, 247, 269, 273, 301, 303; 361/220,
361/379.01, 679.01, 679.02, 679.09,
361/679.21, 679.25, 679.3, 679.4, 679.56,
361/679.57, 759, 807, 816; 379/433.11,
379/451, 455; 455/556.1, 557, 566, 575.1,
455/575.2, 575.8; 206/37, 45.2, 305, 320,
206/216; 320/108, 115; 429/96; 220/4.02;
150/165; 174/50; 235/41, 375, 462;
312/223.1; 396/535; 248/176.3, 188.8,
248/309.1, 371, 668

See application file for complete search history.

(56) **References Cited**

U.S. PATENT DOCUMENTS

D631,246 S *	1/2011	Boettner	D3/218
D636,387 S *	4/2011	Willes et al.	D14/250
D637,591 S *	5/2011	Willes et al.	D14/250
D644,217 S *	8/2011	Richardson et al.	D14/250
D659,691 S *	5/2012	Kim et al.	D14/250
D675,197 S *	1/2013	Losiewicz	D14/250
D678,262 S *	3/2013	Prato	D14/250
D681,022 S *	4/2013	Chang et al.	D14/250
D681,616 S *	5/2013	Weller et al.	D14/250
D681,617 S *	5/2013	Weller et al.	D14/250
D684,356 S *	6/2013	Pegg	D3/218
D684,357 S *	6/2013	Pegg	D3/218

D684,358 S *	6/2013	Pegg	D3/218
D685,779 S *	7/2013	Schriefer et al.	D14/250
D686,199 S *	7/2013	Fahrendorff et al.	D14/250
D686,628 S *	7/2013	Hall	D14/440
D689,851 S *	9/2013	Chang et al.	D14/250
D690,292 S *	9/2013	Bibla et al.	D14/250
D694,244 S *	11/2013	Magness et al.	D14/440
D695,297 S *	12/2013	Sun et al.	D14/440
D696,240 S *	12/2013	Kim et al.	D14/250
8,660,260 B1 *	2/2014	He	379/451
D703,211 S *	4/2014	Weller et al.	D14/440
D708,620 S *	7/2014	Holmes et al.	D14/440
2011/0273819 A1 *	11/2011	Sokola et al.	361/679.01
2012/0257340 A1 *	10/2012	Kim	361/679.01

* cited by examiner

Primary Examiner — Carla Jobe Wright

(74) *Attorney, Agent, or Firm* — Adli Law Group P.C.

(57) **CLAIM**

I claim the ornamental design a case for a mobile phone, as shown and described.

DESCRIPTION

FIG. 1 is a front perspective view of the first embodiment of a case for a mobile phone according the claimed design showing the bottom flap in a closed position;

FIG. 2 is a top view of the first embodiment of a case for a mobile phone according to the claimed design;

FIG. 3 is a bottom view of the first embodiment of a case for a mobile phone according to the claimed design showing the bottom flap in a closed position;

FIG. 4 is a front view of the first embodiment of a case for a mobile phone according to the claimed design;

FIG. 5 is a back view of the first embodiment of a case for a mobile phone according to the claimed design;

FIG. 6 is a left view of the first embodiment of a case for a mobile phone according to the claimed design;

FIG. 7 is a right view of the first embodiment of a case for a mobile phone according to the claimed design;

FIG. 8 is a front perspective view of the first embodiment of a case for a mobile phone according to the claimed design showing the bottom flap in an open position;

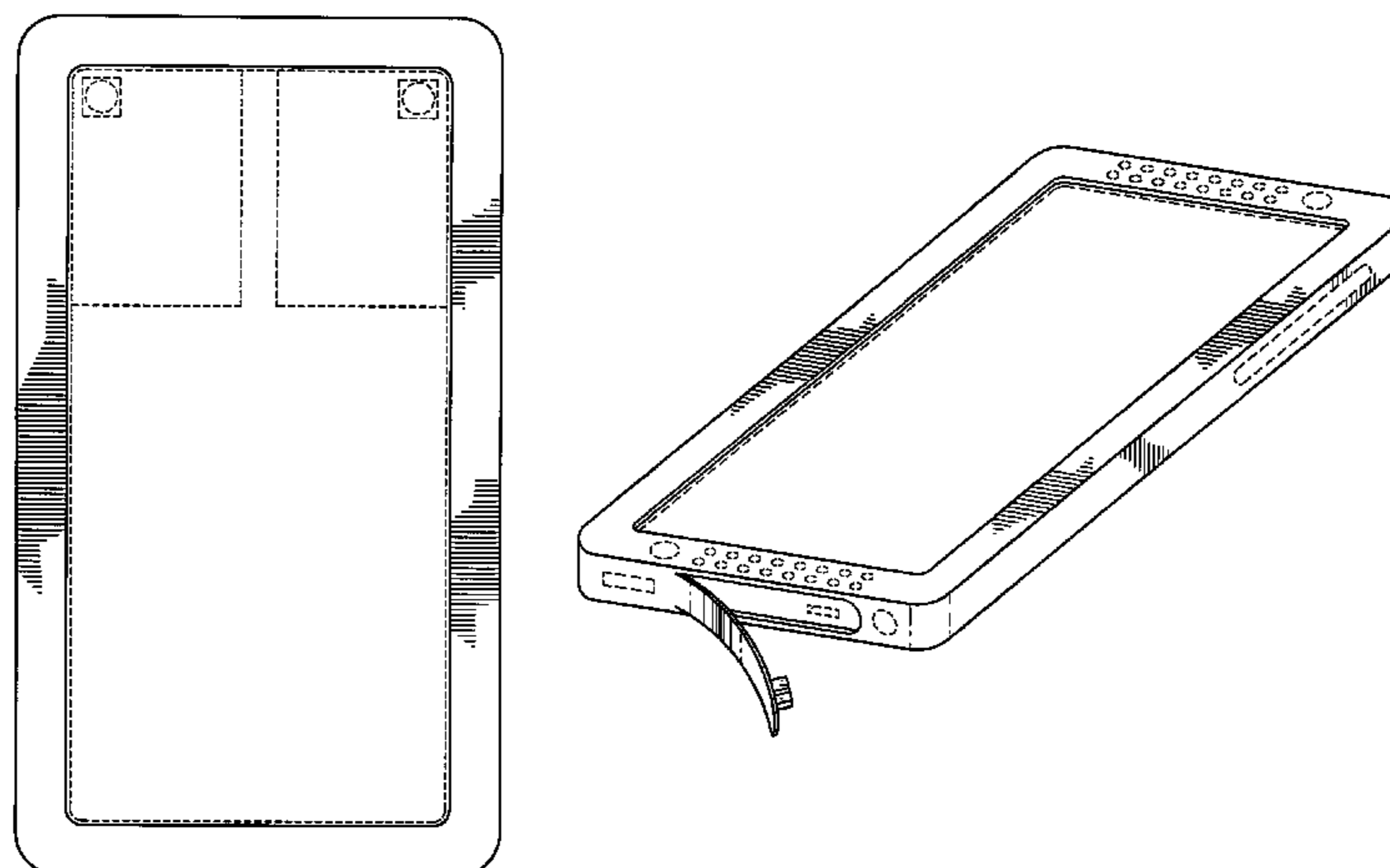


FIG. 9 is a front view of the first embodiment of a case for a mobile phone according to the claimed design showing the bottom flap in an open position;

FIG. 10 is a front perspective view of the second embodiment of a case for a mobile phone according to the claimed design showing the side flap in a closed position;

FIG. 11 is a top view of the second embodiment of a case for a mobile phone according to the claimed design;

FIG. 12 is a bottom view of the second embodiment of a case for a mobile phone according to the claimed design;

FIG. 13 is a front view of the second embodiment of a case for a mobile phone according to the claimed design;

FIG. 14 is a back view of the second embodiment of a case for a mobile phone according to the claimed design;

FIG. 15 is a left view of the second embodiment of a case for a mobile phone according to the claimed design;

FIG. 16 is a right view of the second embodiment of a case for a mobile phone according to the claimed design showing the side flap in a closed position;

FIG. 17 is a front perspective view of the second embodiment of a case for a mobile phone according to the claimed design showing the side flap in an open position; and,

FIG. 18 is a front view of a case for a mobile phone according to the claimed design showing the side flap in an open position.

The unshaded surfaces that are visible through the rectangular front opening, the rectangular rear opening, the opening under the bottom flap, the opening under the side flap, and the broken lines on these unshaded surfaces depict an unclaimed mobile phone. All other broken lines depict unclaimed features of the case. The broken lines form no part of the claimed design.

1 Claim, 12 Drawing Sheets

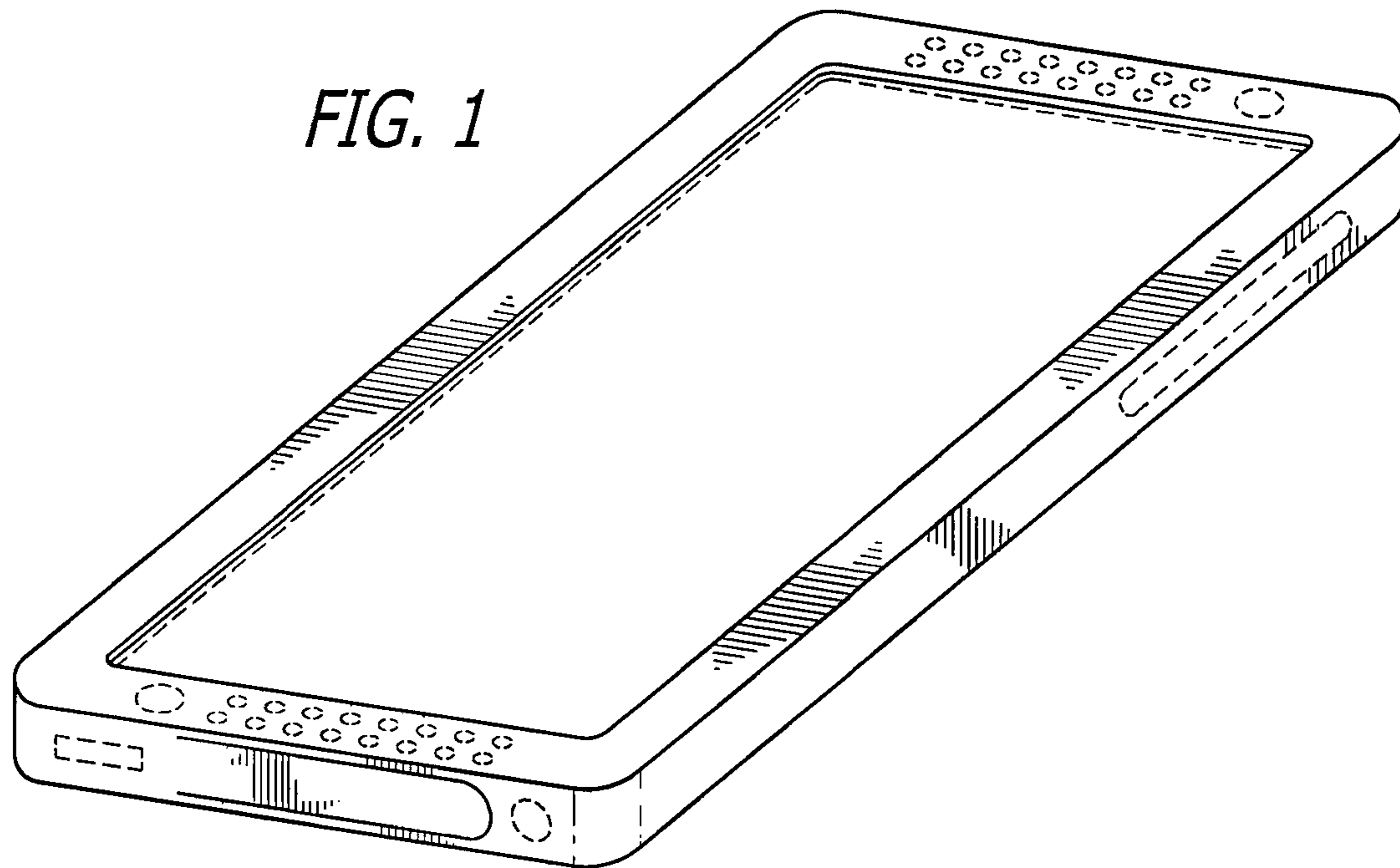


FIG. 2

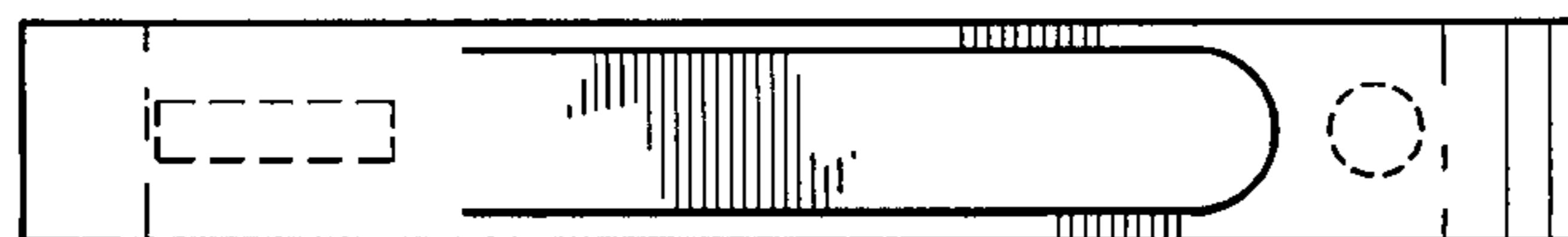


FIG. 3

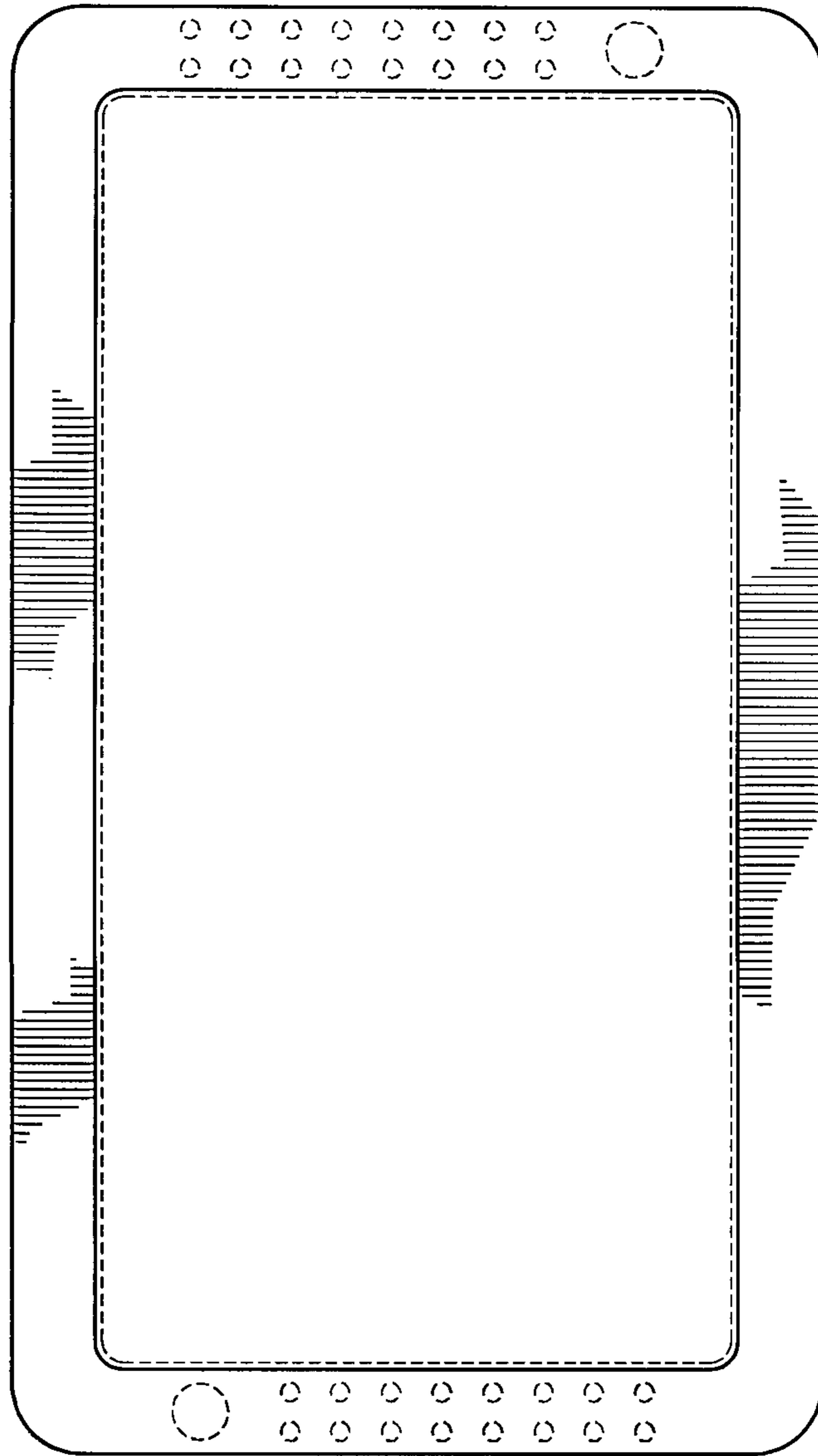


FIG. 4

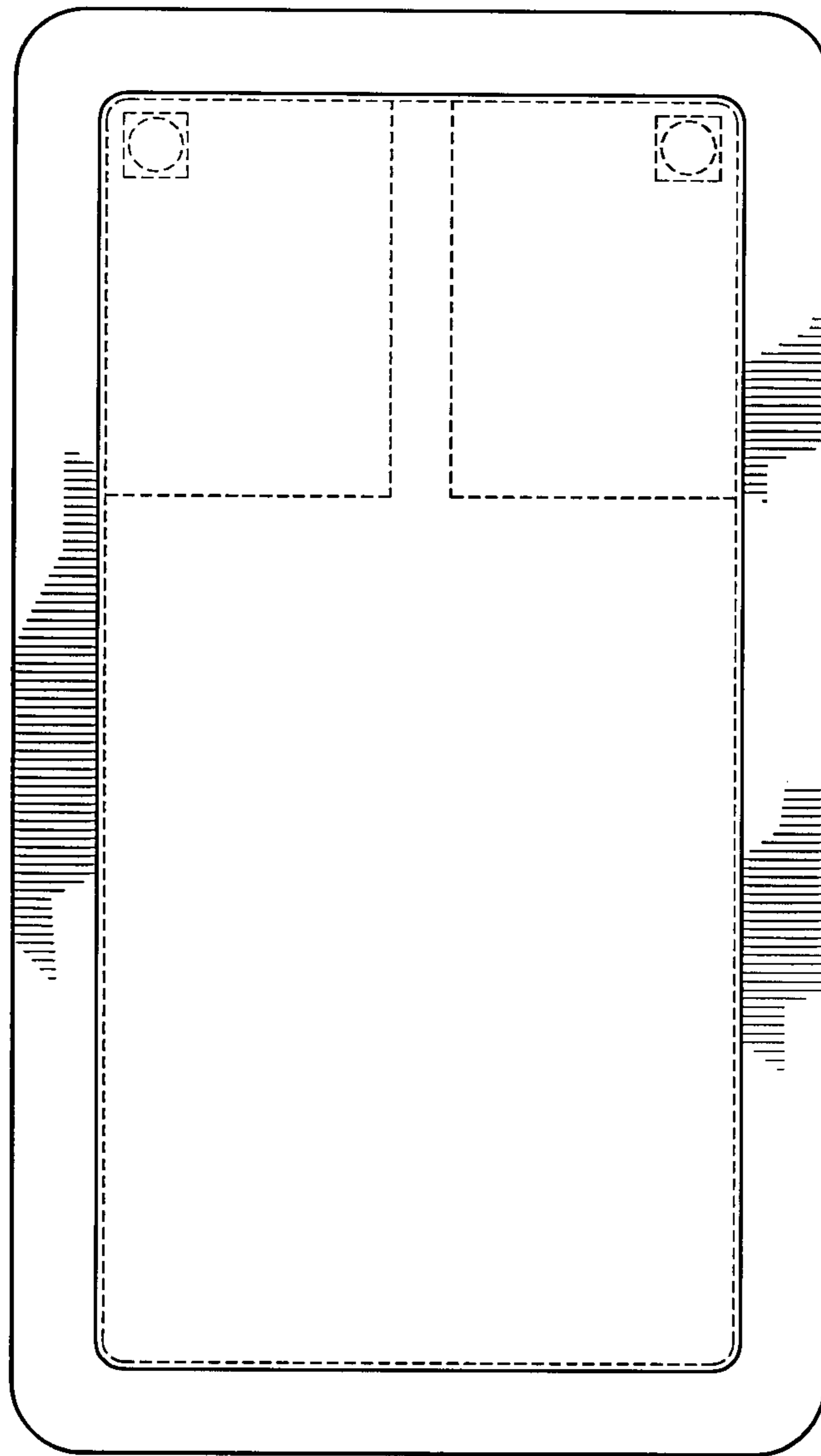


FIG. 5

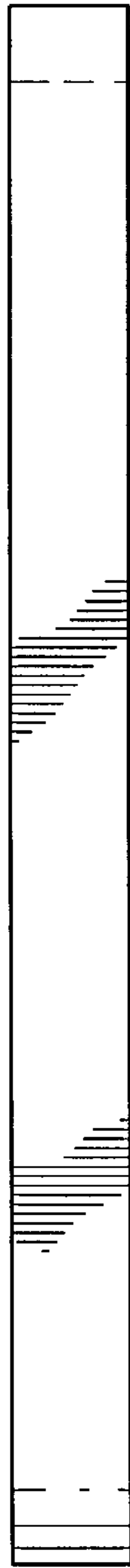


FIG. 6



FIG. 7

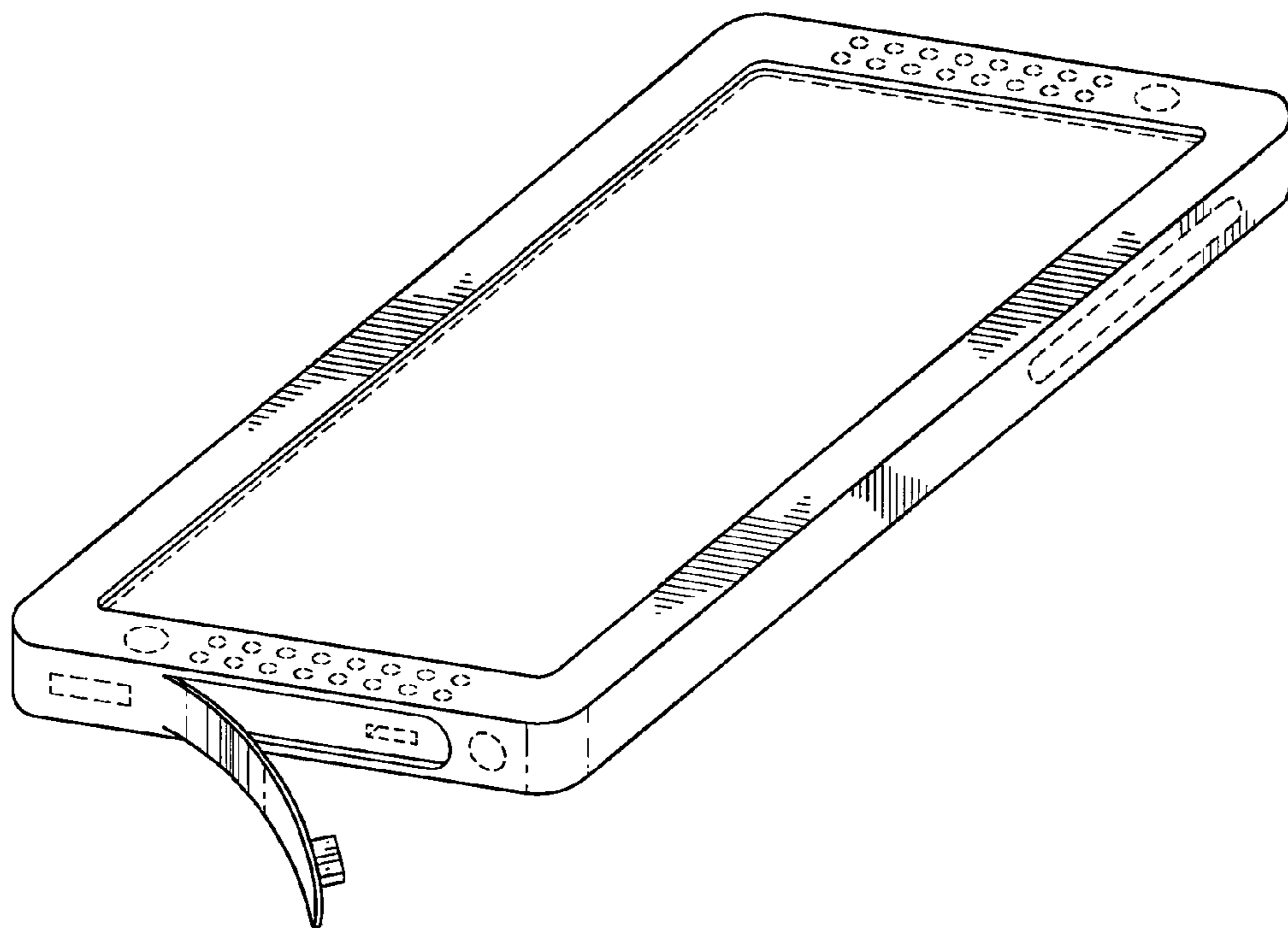
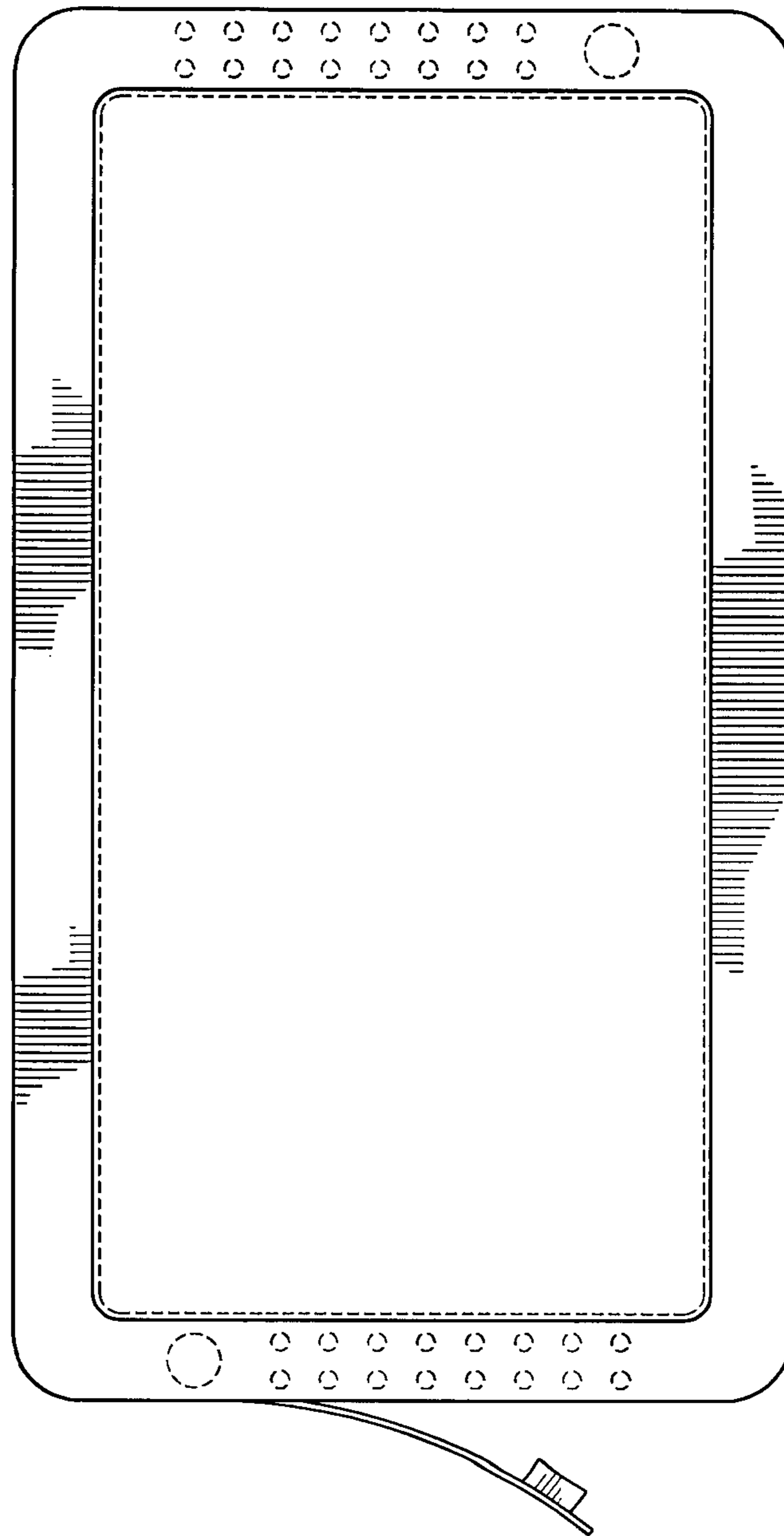


FIG. 8

FIG. 9



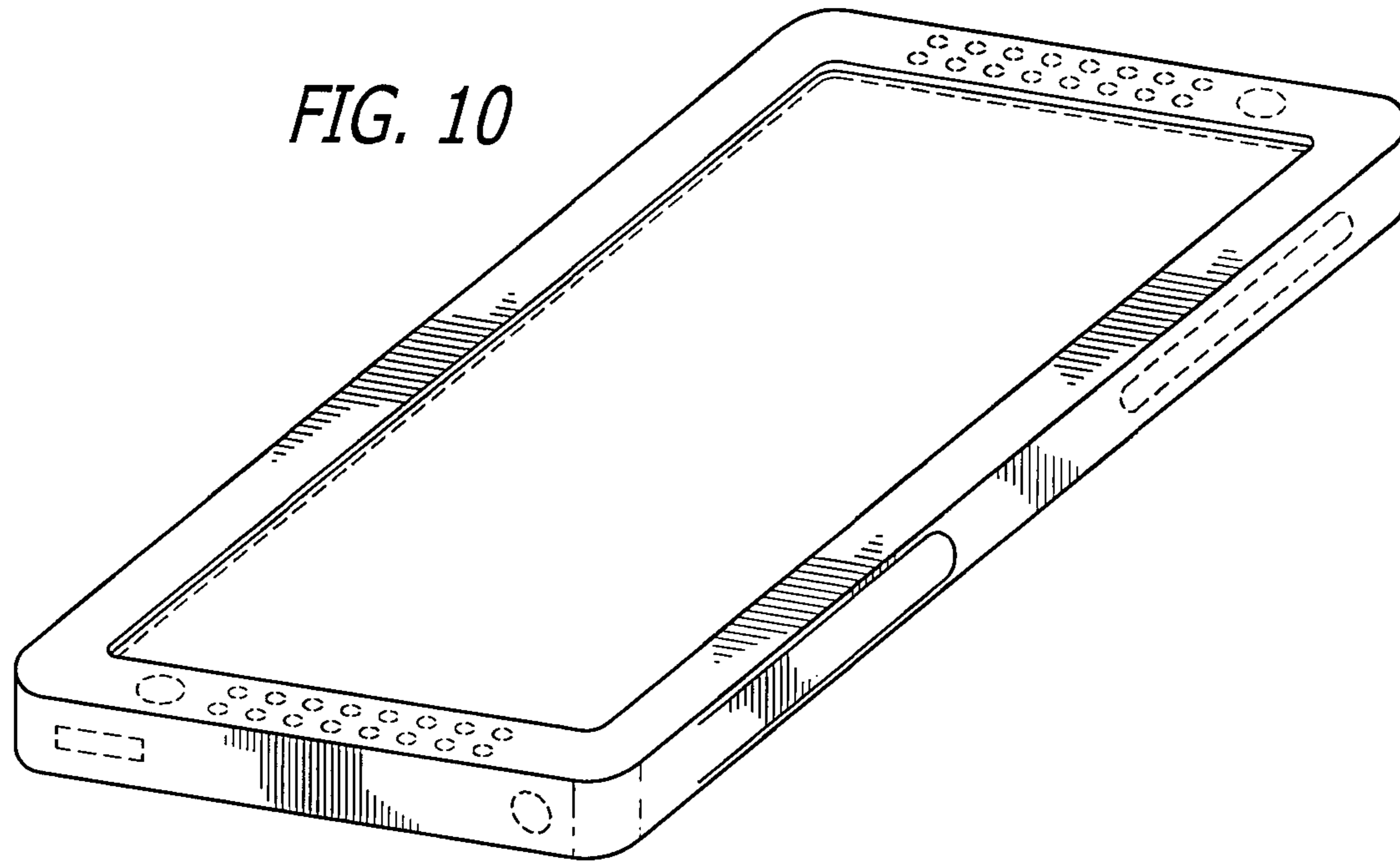


FIG. 11



FIG. 12

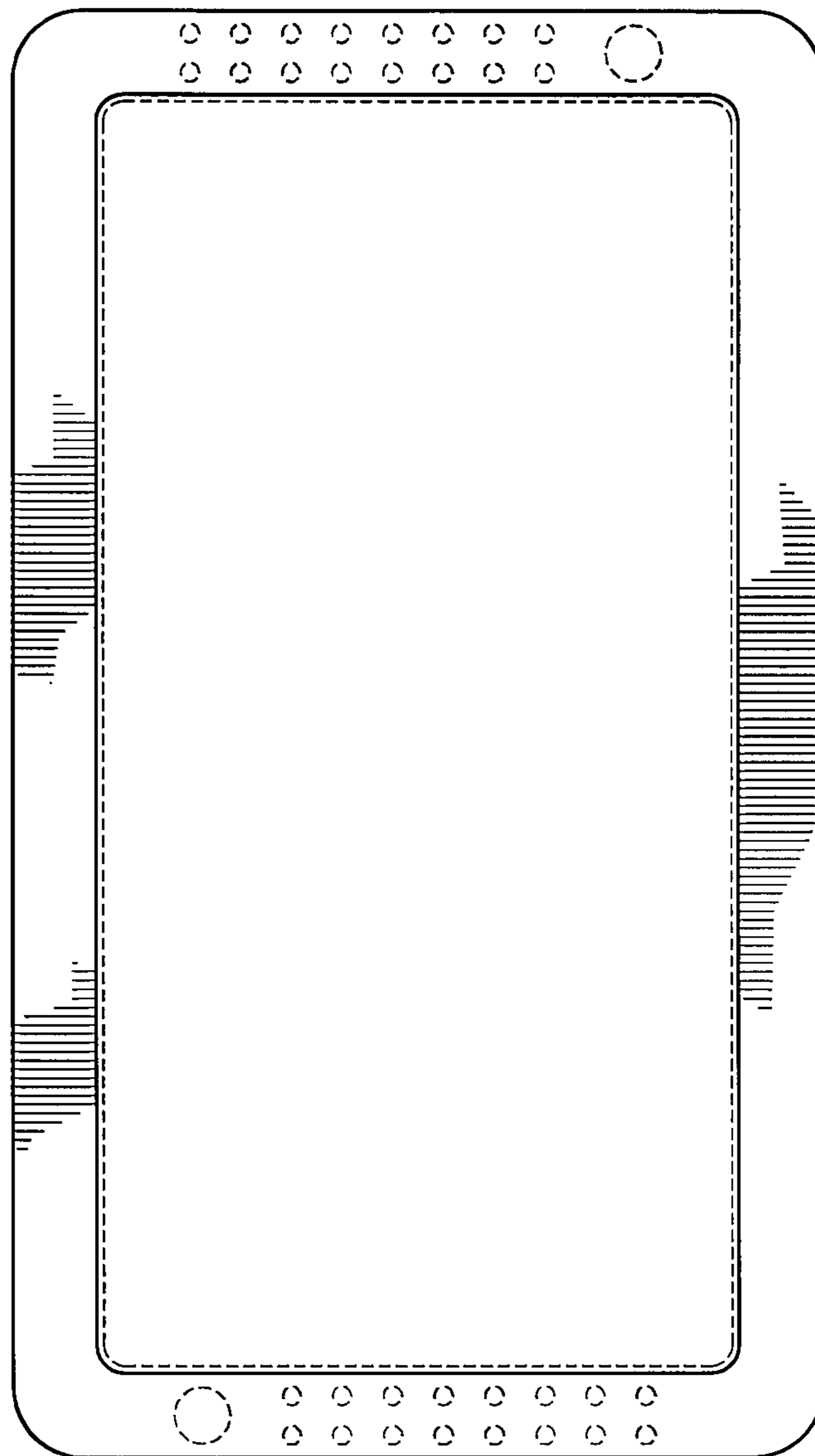


FIG. 13

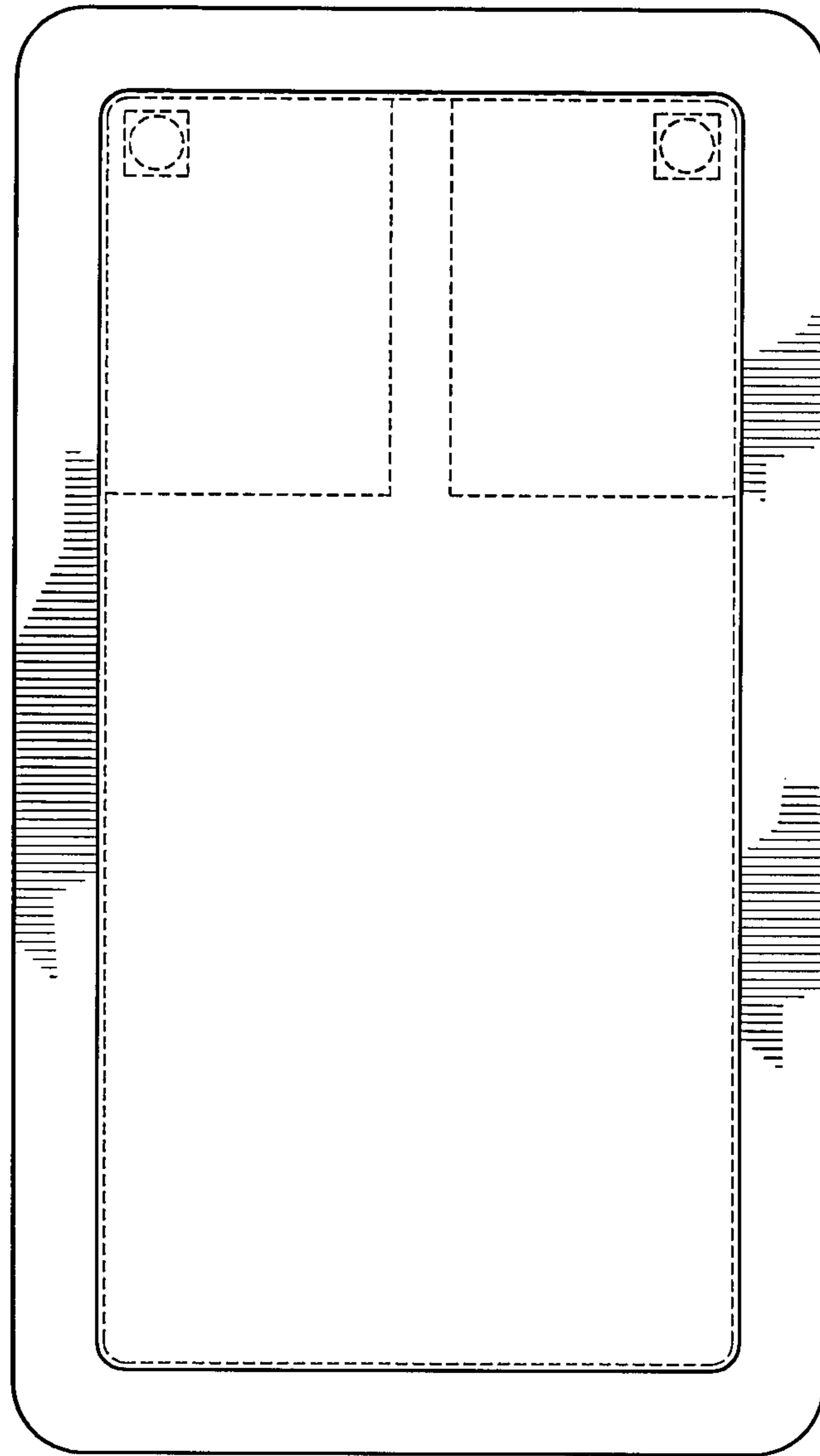


FIG. 14

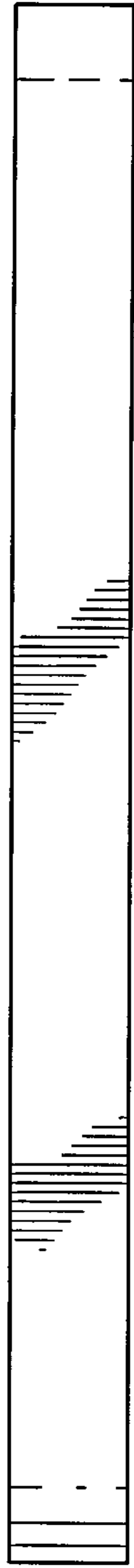


FIG. 15



FIG. 16

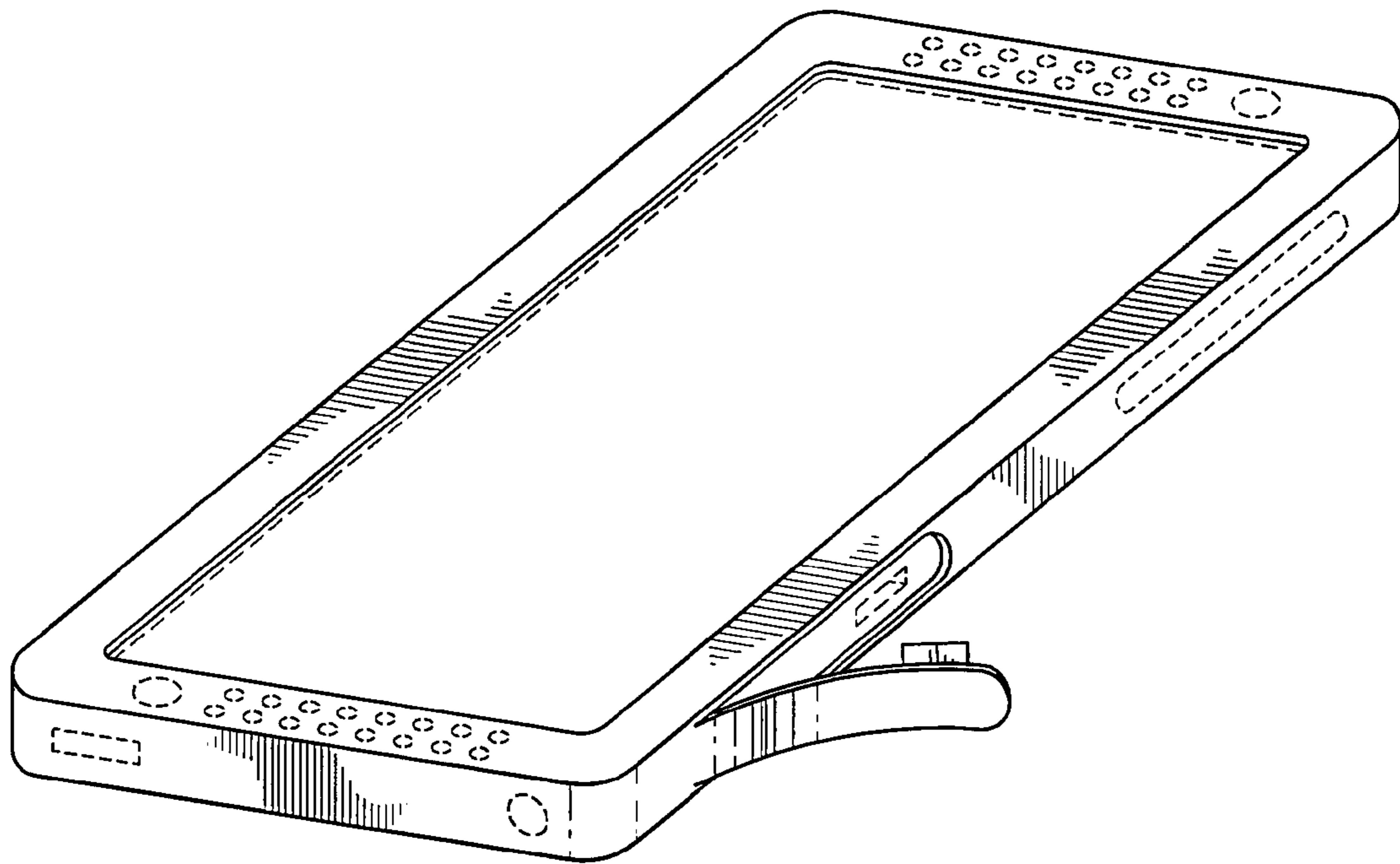


FIG. 17

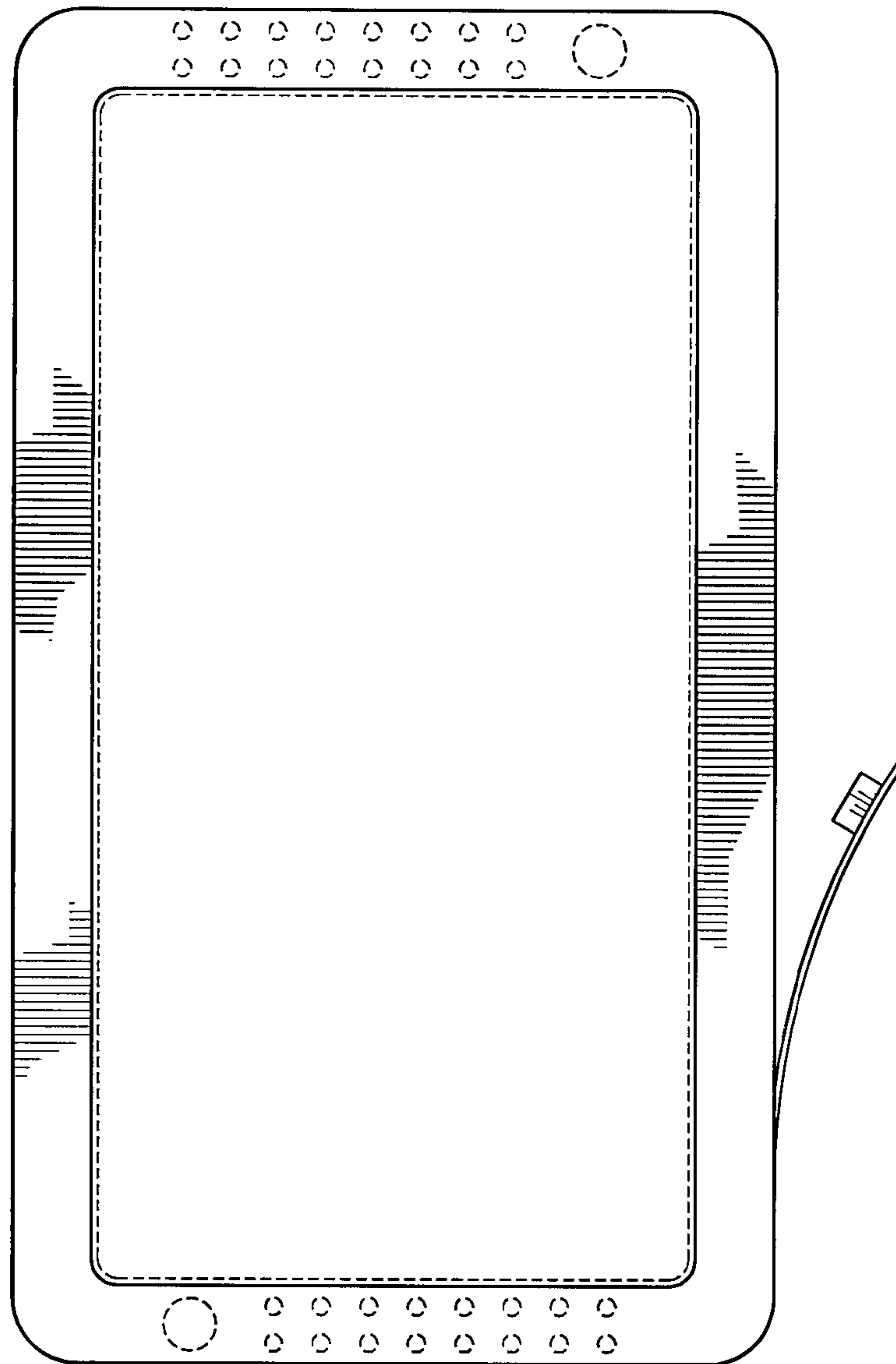


FIG. 18