



US00D720338S

(12) **United States Design Patent**  
**Nousiainen**

(10) **Patent No.:** **US D720,338 S**  
(45) **Date of Patent:** **\*\* Dec. 30, 2014**

(54) **HANDSET CASE**

(71) Applicant: **Nokia Corporation**, Espoo (FI)

(72) Inventor: **Esa Nousiainen**, Vantaa (FI)

(73) Assignee: **Nokia Corporation**, Espoo (FI)

(\*\*) Term: **14 Years**

(21) Appl. No.: **29/445,675**

(22) Filed: **Feb. 14, 2013**

(51) **LOC (10) Cl.** ..... **14-03**

(52) **U.S. Cl.**  
USPC ..... **D14/248**

(58) **Field of Classification Search**

CPC ... H04M 1/0214; H04M 1/23; H04M 1/0247;  
H04M 1/0237; H04B 1/3833  
USPC ..... D14/138 AD, 138 C, 138 G, 203.7, 230,  
D14/238.1, 240, 247, 248, 250, 253, 341,  
D14/346, 356, 439, 440, 447, 496;  
D13/103, 107, 108, 119; D3/201, 218,  
D3/247, 269, 273, 301, 303; 206/305, 320;  
361/679.56, 679.3, 816; 455/575.1,  
455/575.8

See application file for complete search history.

(56) **References Cited**

**U.S. PATENT DOCUMENTS**

D535,252 S \* 1/2007 Sandnes ..... D13/108  
D553,352 S \* 10/2007 Allen ..... D3/218

D609,464 S \* 2/2010 Bullen ..... D3/218  
D616,361 S \* 5/2010 Huang ..... D13/103  
D625,303 S \* 10/2010 Kim ..... D14/250  
D653,249 S \* 1/2012 Fahrendorff et al. .... D14/250  
D667,823 S \* 9/2012 Merenda ..... D14/250  
D687,426 S \* 8/2013 Requa ..... D14/250  
D704,183 S \* 5/2014 Guzman ..... D14/250  
2009/0036175 A1 \* 2/2009 Brandenburg et al. .... 455/575.1

\* cited by examiner

*Primary Examiner* — Barbara Fox

*Assistant Examiner* — Chelsea Sealey

(74) *Attorney, Agent, or Firm* — Banner & Witcoff, Ltd.

(57) **CLAIM**

The ornamental design for a handset case, as shown and described.

**DESCRIPTION**

FIG. 1 is a perspective front view of a handset case showing my new design;

FIG. 2 is a front view thereof;

FIG. 3 is a rear view thereof;

FIG. 4 is a right side view thereof;

FIG. 5 is a left side view thereof;

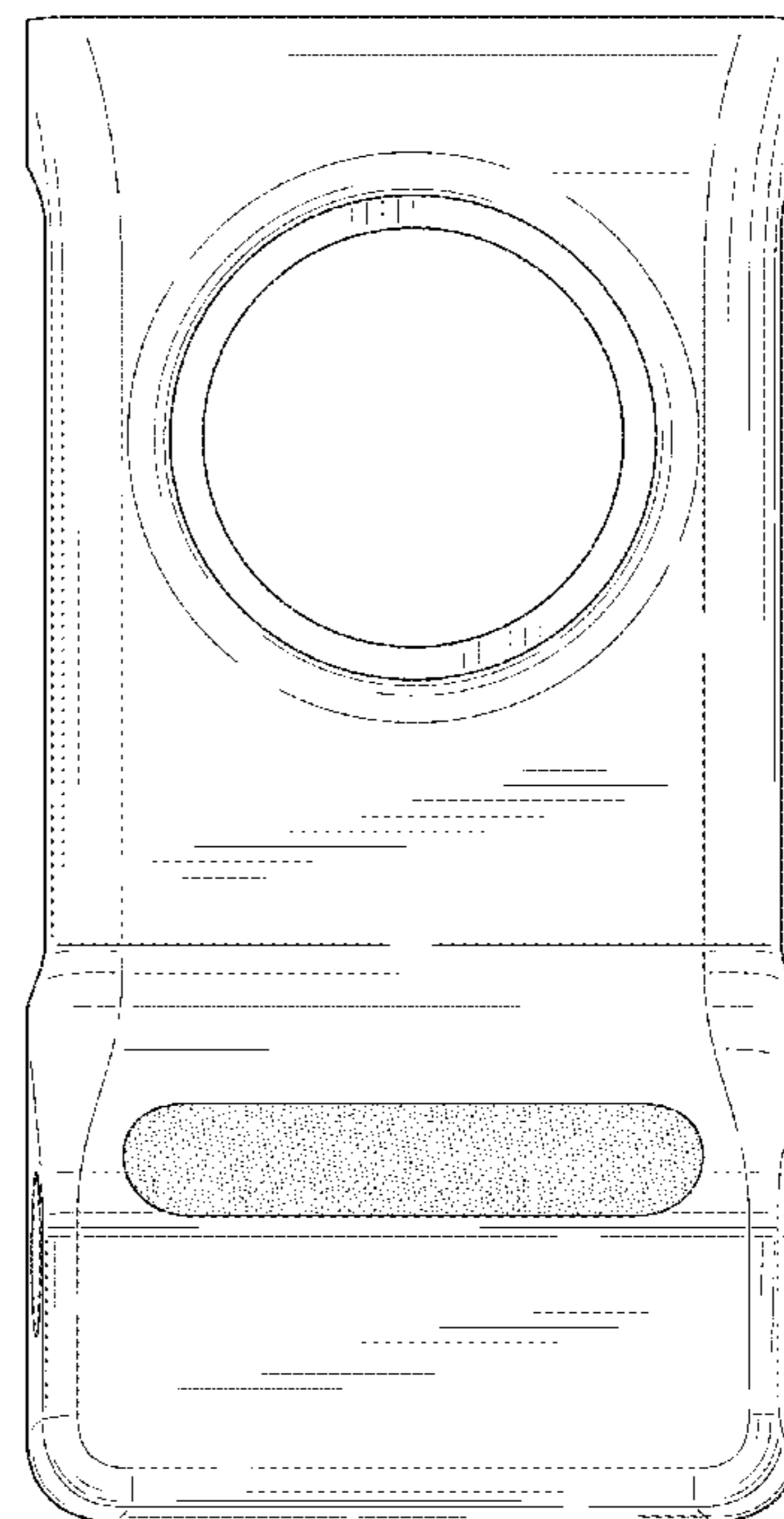
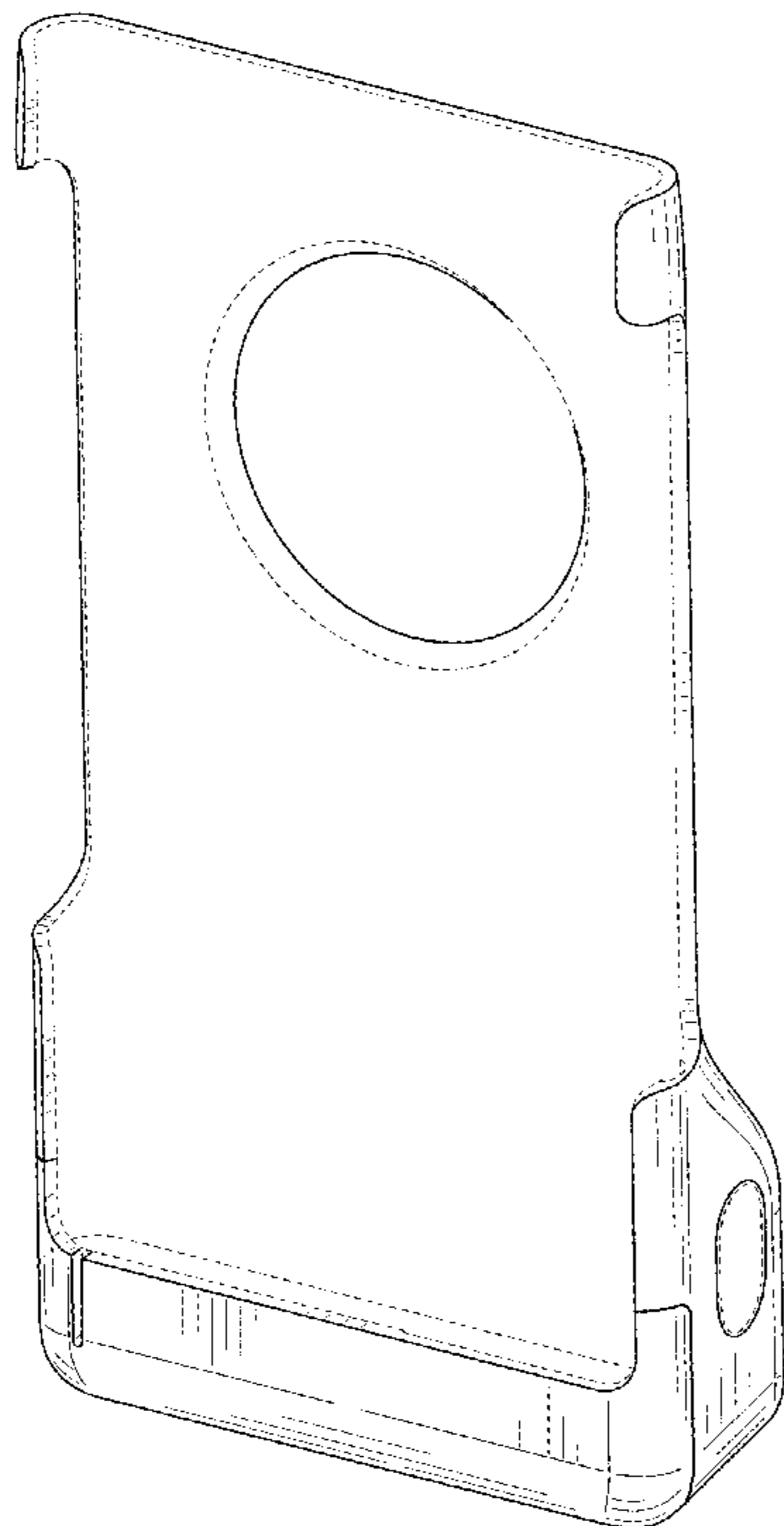
FIG. 6 is a top view thereof;

FIG. 7 is a bottom view thereof; and,

FIG. 8 is a perspective front view of a handset case showing my new design in an in-use position, including the broken line environment of a handset and wrist strap.

The broken lines indicate portions of the handset case that form no part of the claimed design.

**1 Claim, 6 Drawing Sheets**



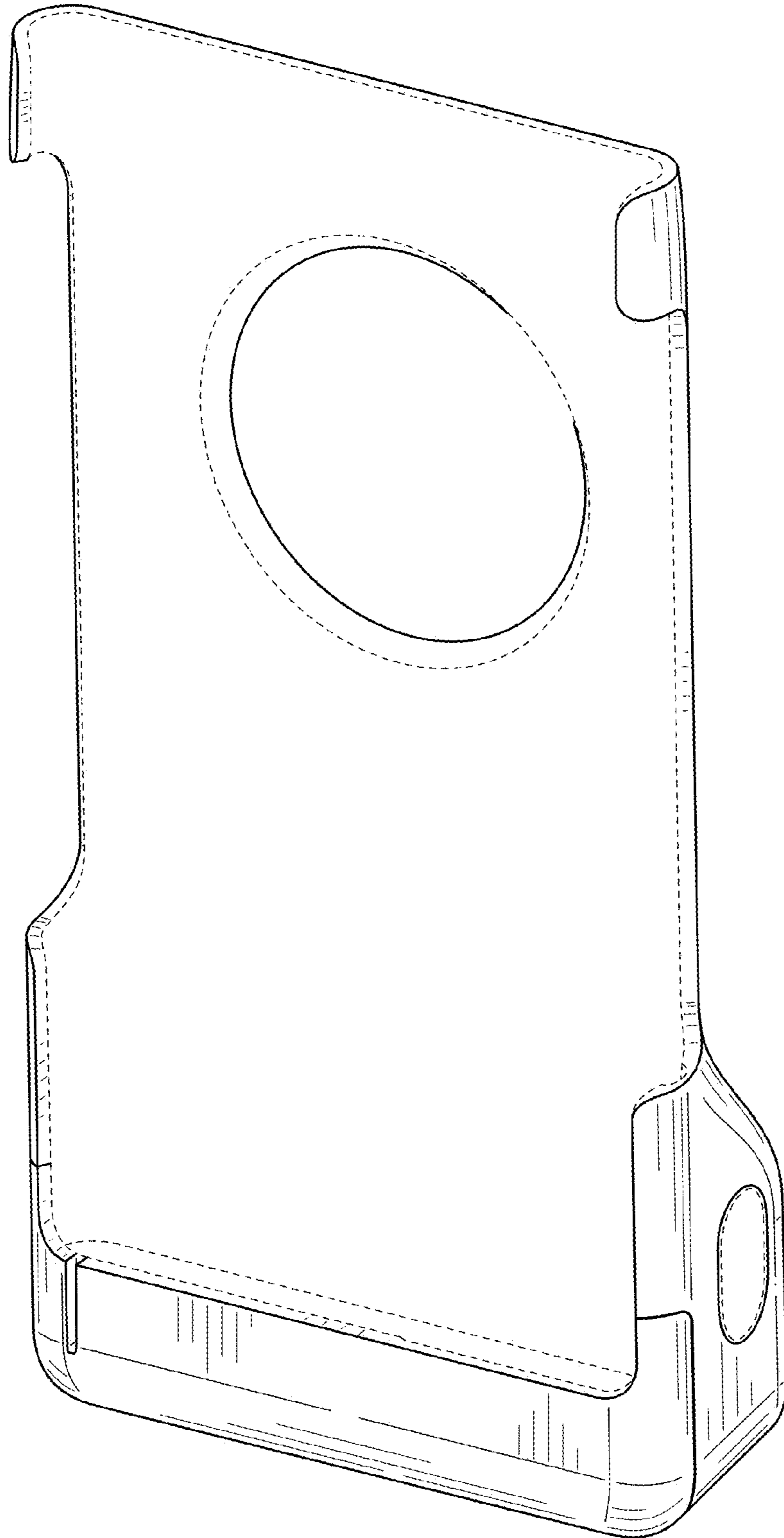


FIG. 1

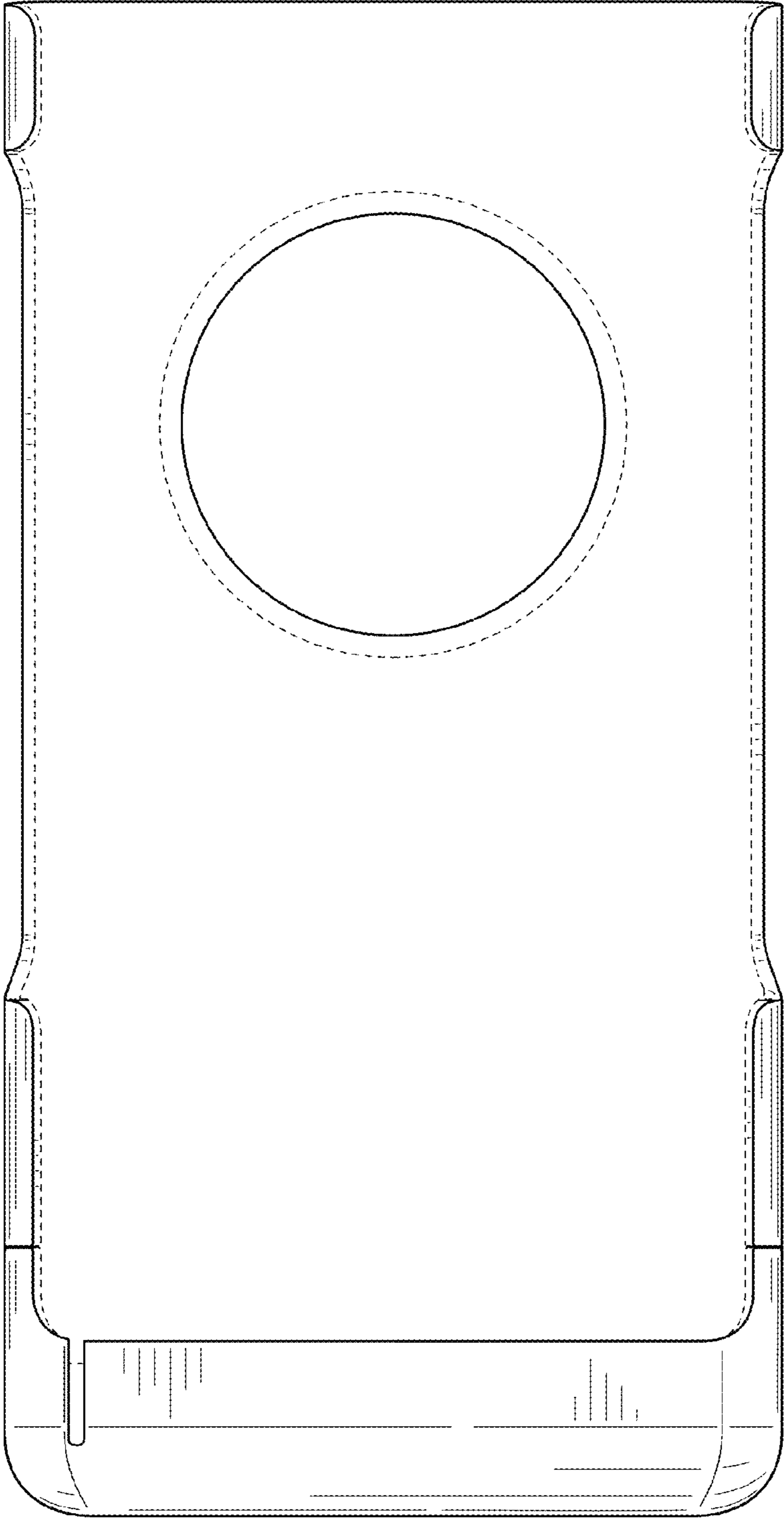


FIG. 2

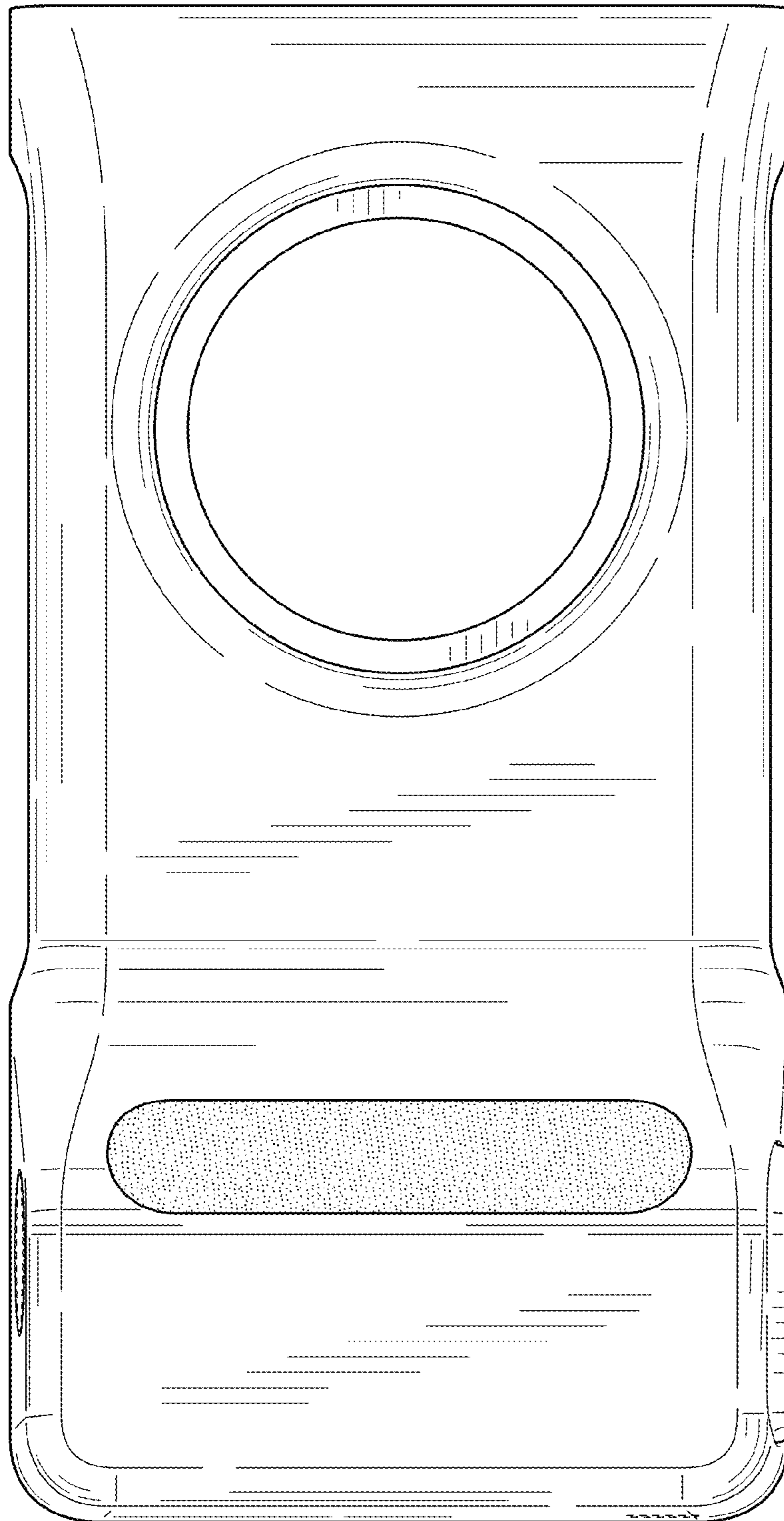


FIG. 3

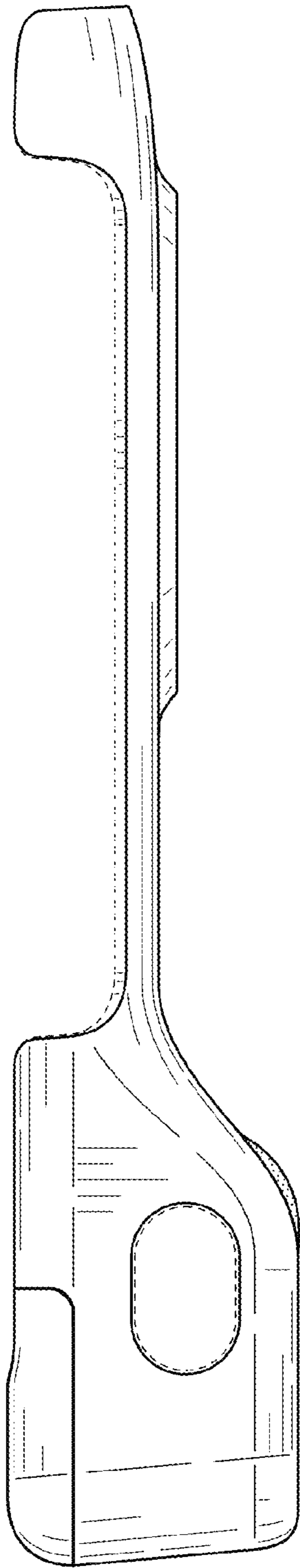


FIG. 4

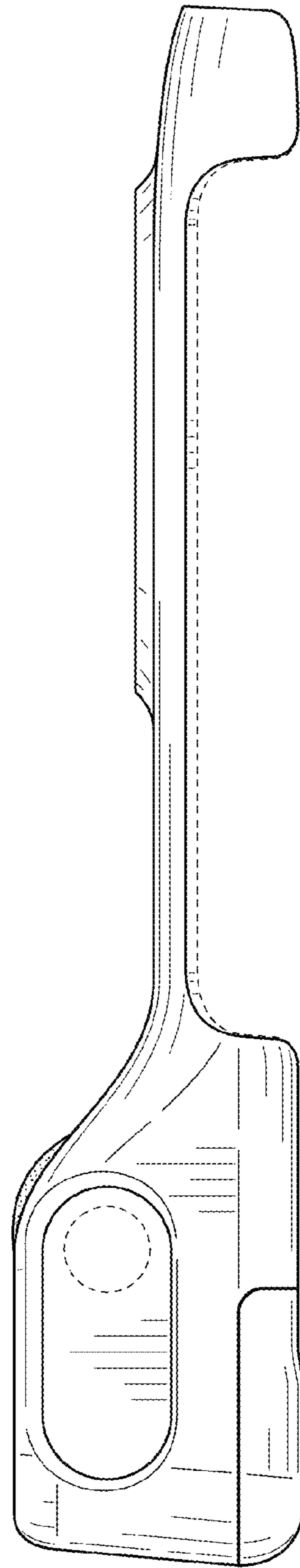


FIG. 5

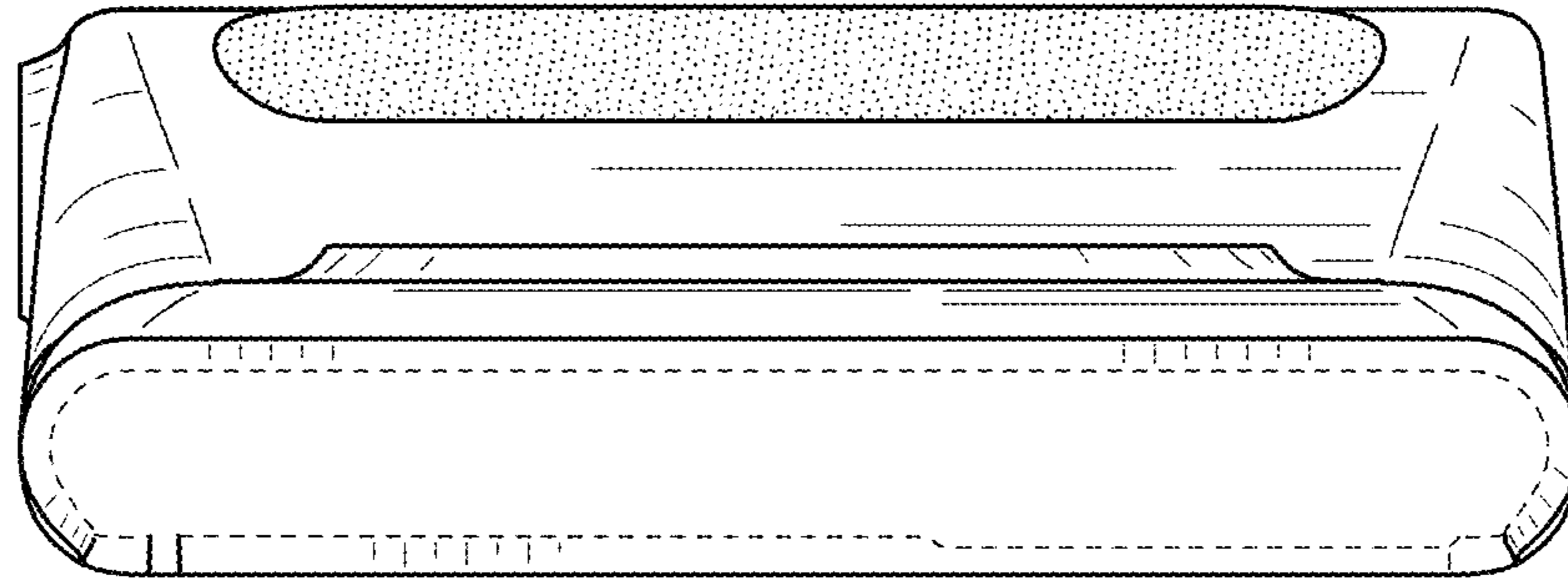


FIG. 6

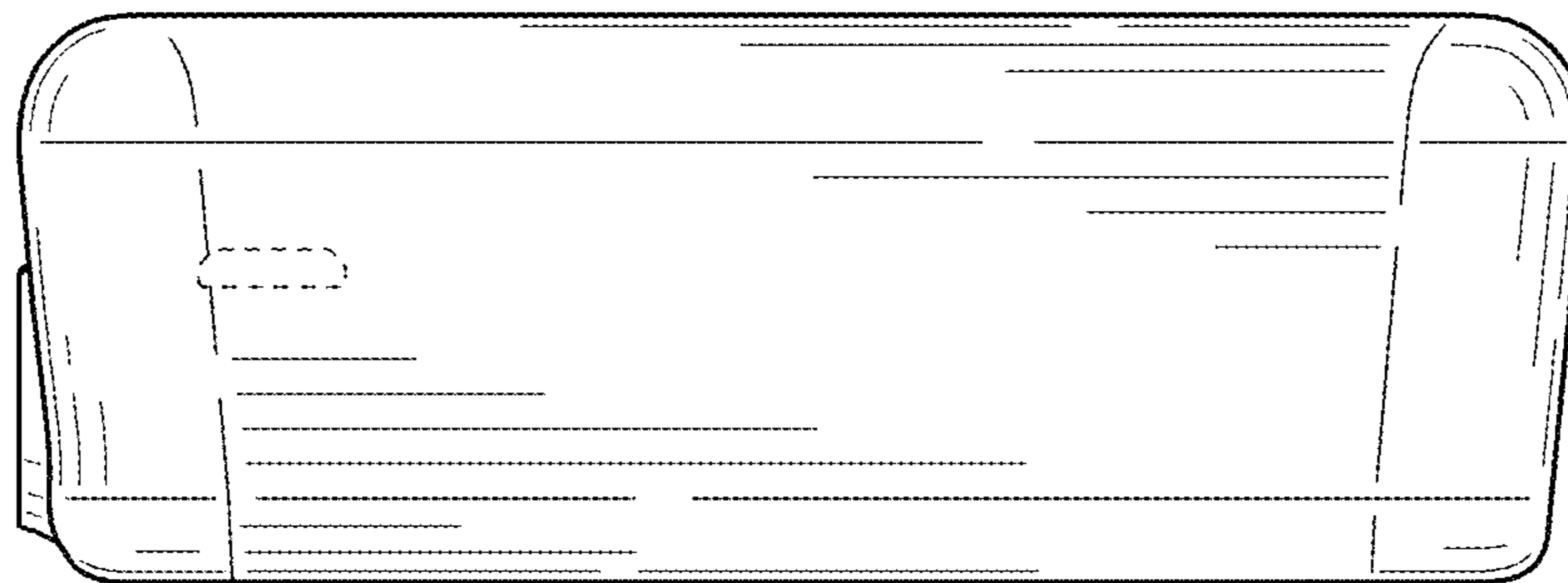


FIG. 7

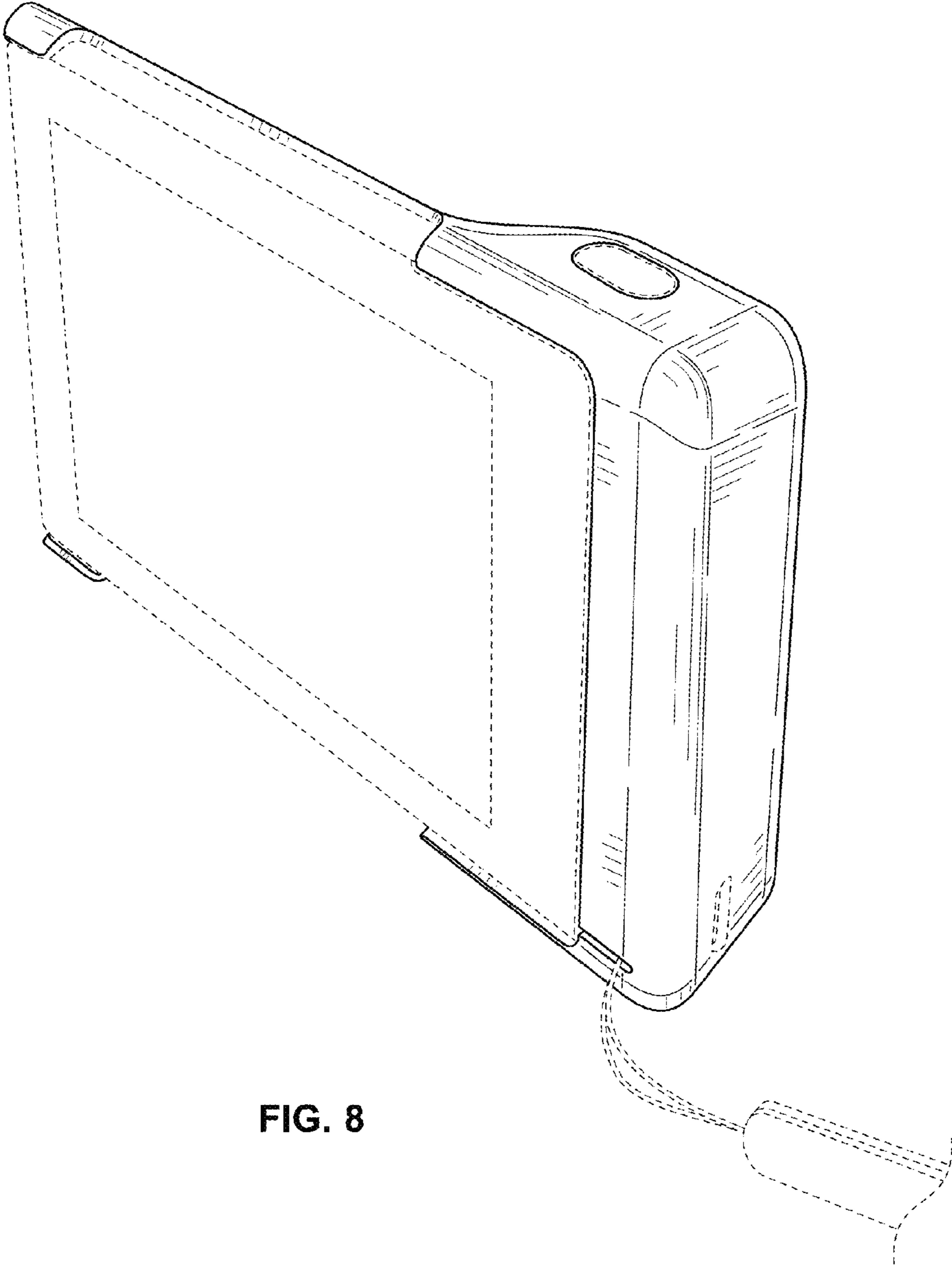


FIG. 8