



US00D720336S

(12) **United States Design Patent**  
**Ervin et al.**

(10) **Patent No.:** **US D720,336 S**

(45) **Date of Patent:** **\*\* Dec. 30, 2014**

(54) **WIRELESS EMITTER**

(71) Applicant: **QUALCOMM Incorporated**, San Diego, CA (US)

(72) Inventors: **Daniel R Ervin**, Oceanside, CA (US);  
**Leif A Woodahl**, Poway, CA (US);  
**Steven J Lundgren**, Ramona, CA (US);  
**David M Bahnemann**, San Diego, CA (US);  
**Jeffrey J Vaccaro**, Encinitas, CA (US);  
**Jatupum Jenwatanavet**, San Diego, CA (US)

(73) Assignee: **QUALCOMM Incorporated**, San Diego, CA (US)

(\*\*) Term: **14 Years**

(21) Appl. No.: **29/447,734**

(22) Filed: **Mar. 6, 2013**

(51) **LOC (10) Cl.** ..... **14-03**

(52) **U.S. Cl.**  
USPC ..... **D14/240**

(58) **Field of Classification Search**

CPC ..... H04L 12/00; H03K 17/00; H04W 88/00;  
H04W 88/005; H04W 88/02; H04W 88/08;  
H04W 88/085; H04W 88/10; H04W 88/12;  
H04W 88/14; H04B 1/38  
USPC ..... D14/242, 240, 435.1, 357, 358,  
D14/140-140.9, 155, 137, 139, 243, 348,  
D14/349, 351, 354, 355, 138 AD;  
D10/104.1, 104.2; 375/222

See application file for complete search history.

(56) **References Cited**

U.S. PATENT DOCUMENTS

D368,260	S	*	3/1996	Oschmann et al.	.....	D14/137
D375,097	S	*	10/1996	Kovens	.....	D14/159
D391,953	S	*	3/1998	Copeland et al.	.....	D14/137
D442,156	S	*	5/2001	Lee	.....	D14/138 G
D449,301	S	*	10/2001	Stephens et al.	.....	D14/358
D459,725	S	*	7/2002	Lee et al.	.....	D14/358
D467,566	S	*	12/2002	Mirabelli et al.	.....	D14/137
D471,535	S	*	3/2003	Bey	.....	D14/218
D484,879	S	*	1/2004	Jones	.....	D14/358
D490,100	S	*	5/2004	Su et al.	.....	D18/2
D497,318	S	*	10/2004	Strand et al.	.....	D10/104.1
D509,812	S	*	9/2005	Mack	.....	D14/137
D558,173	S	*	12/2007	Oross et al.	.....	D14/138 AD
D558,703	S	*	1/2008	Kwong	.....	D14/137
D559,233	S	*	1/2008	Tang	.....	D14/230
D601,550	S	*	10/2009	L'Henaff et al.	.....	D14/240
D602,499	S	*	10/2009	Lewis	.....	D14/496
D606,983	S	*	12/2009	Hamer et al.	.....	D14/240
7,676,246	B2	*	3/2010	Kreiter	.....	455/556.2

(Continued)

*Primary Examiner* — Bridget L Eland

(74) *Attorney, Agent, or Firm* — Gerald P. Joyce, III

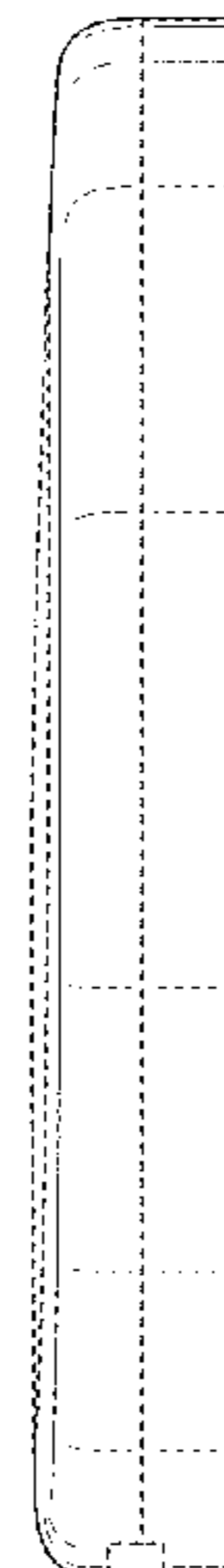
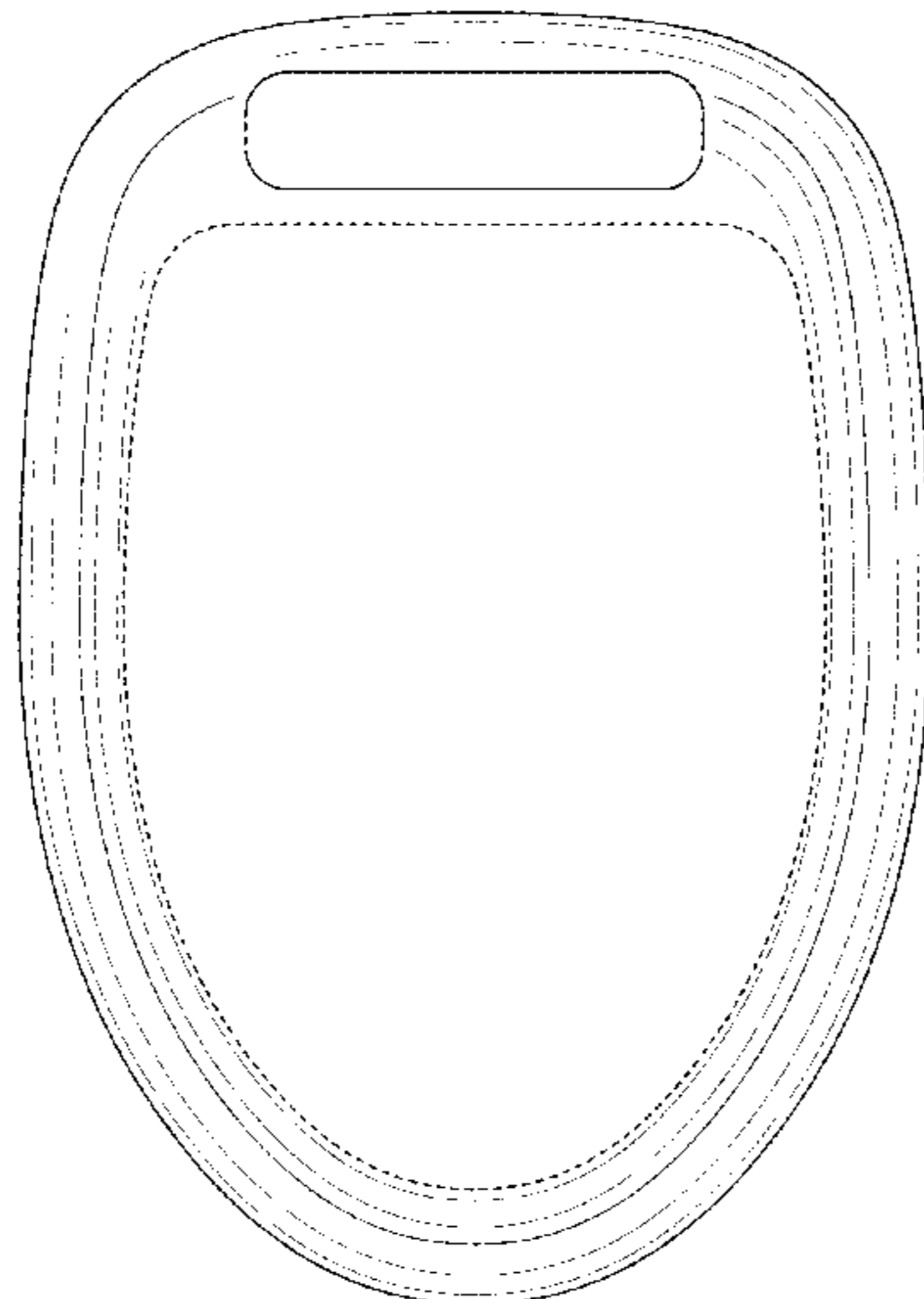
(57) **CLAIM**

The ornamental design for a wireless emitter, as shown and described.

**DESCRIPTION**

FIG. 1 is a front/right side perspective view of the wireless emitter design.  
FIG. 2 is a front view of the wireless emitter design.  
FIG. 3 is a back view of the wireless emitter design.  
FIG. 4 is a left side view of the wireless emitter design.  
FIG. 5 is a right side view of the wireless emitter design.  
FIG. 6 is a top view of the wireless emitter design; and,  
FIG. 7 is a bottom view of the wireless emitter design.  
The broken lines shown in FIGS. 1-7 represent portions of the wireless emitter that form no part of the claim.

**1 Claim, 5 Drawing Sheets**



(56)

**References Cited**

U.S. PATENT DOCUMENTS

D615,438 S \* 5/2010 Goetzl et al. .... D10/104.1  
D646,259 S \* 10/2011 Daniel ..... D14/155  
D651,996 S \* 1/2012 Wilson et al. .... D14/137

D696,223 S \* 12/2013 Will et al. .... D14/155  
D697,501 S \* 1/2014 Fargeau ..... D14/240  
D704,164 S \* 5/2014 Green et al. .... D14/217  
2004/0224717 A1\* 11/2004 Hertzberg et al. .... 455/550.1

\* cited by examiner

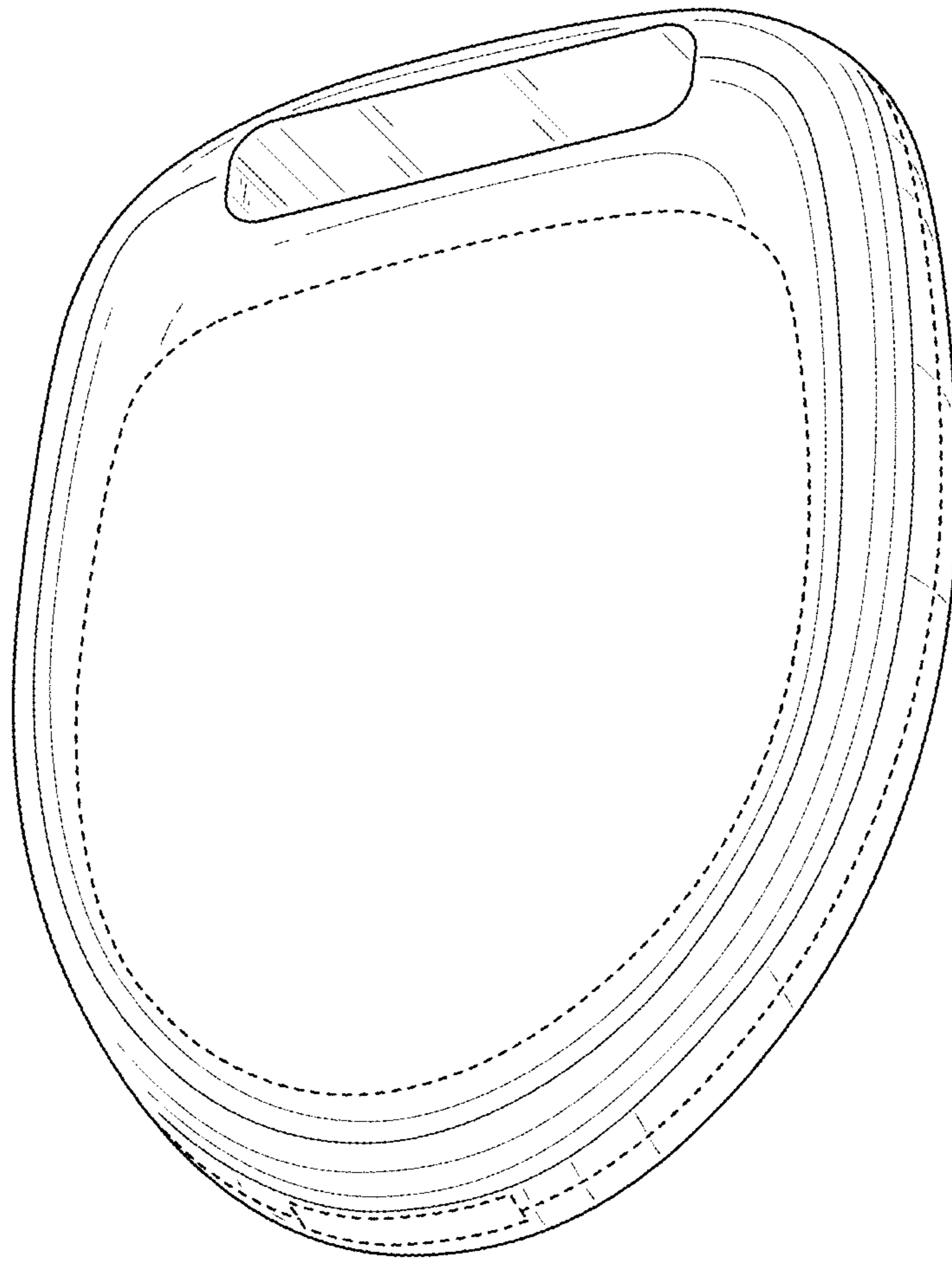


FIG. 1

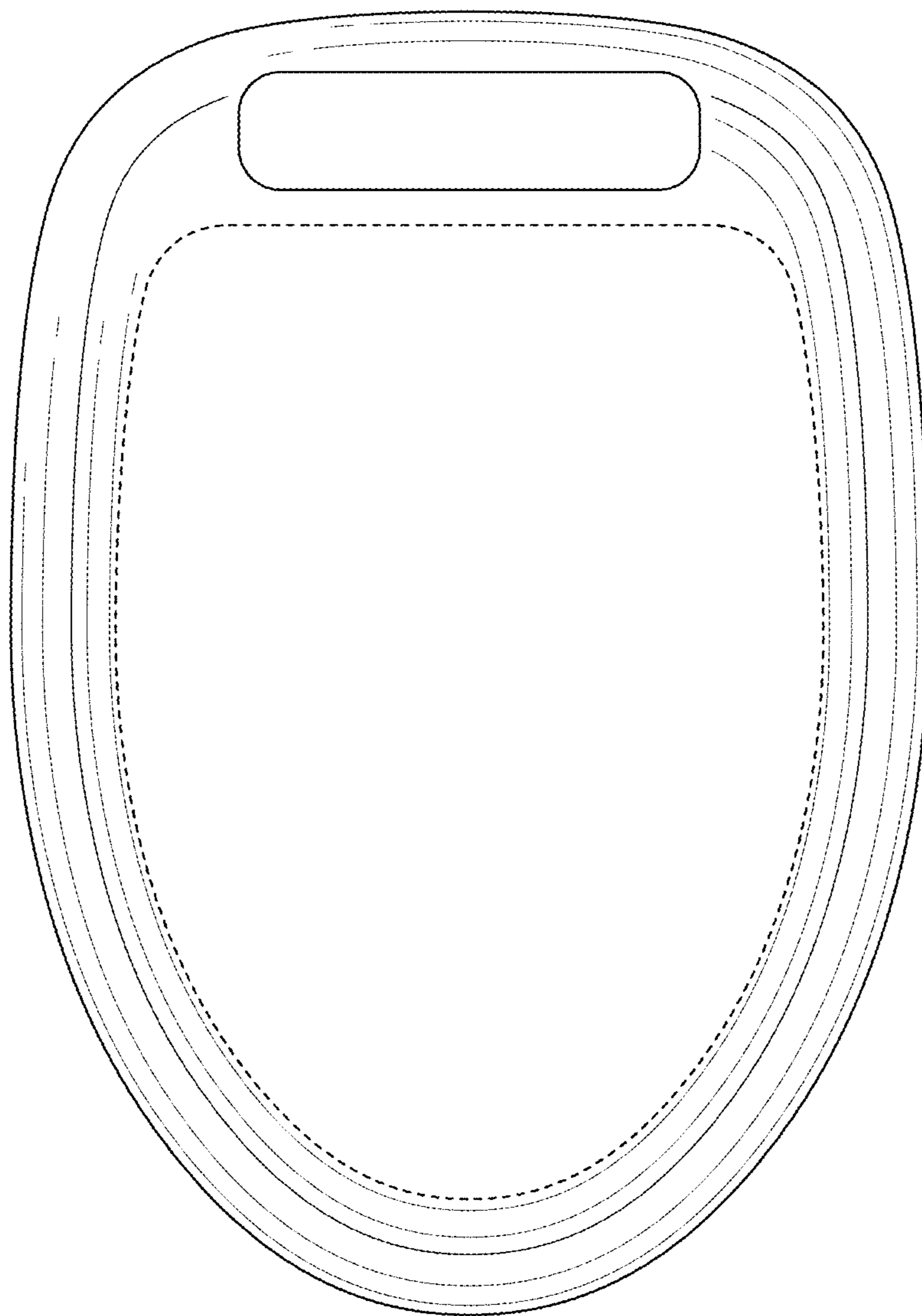


FIG. 2

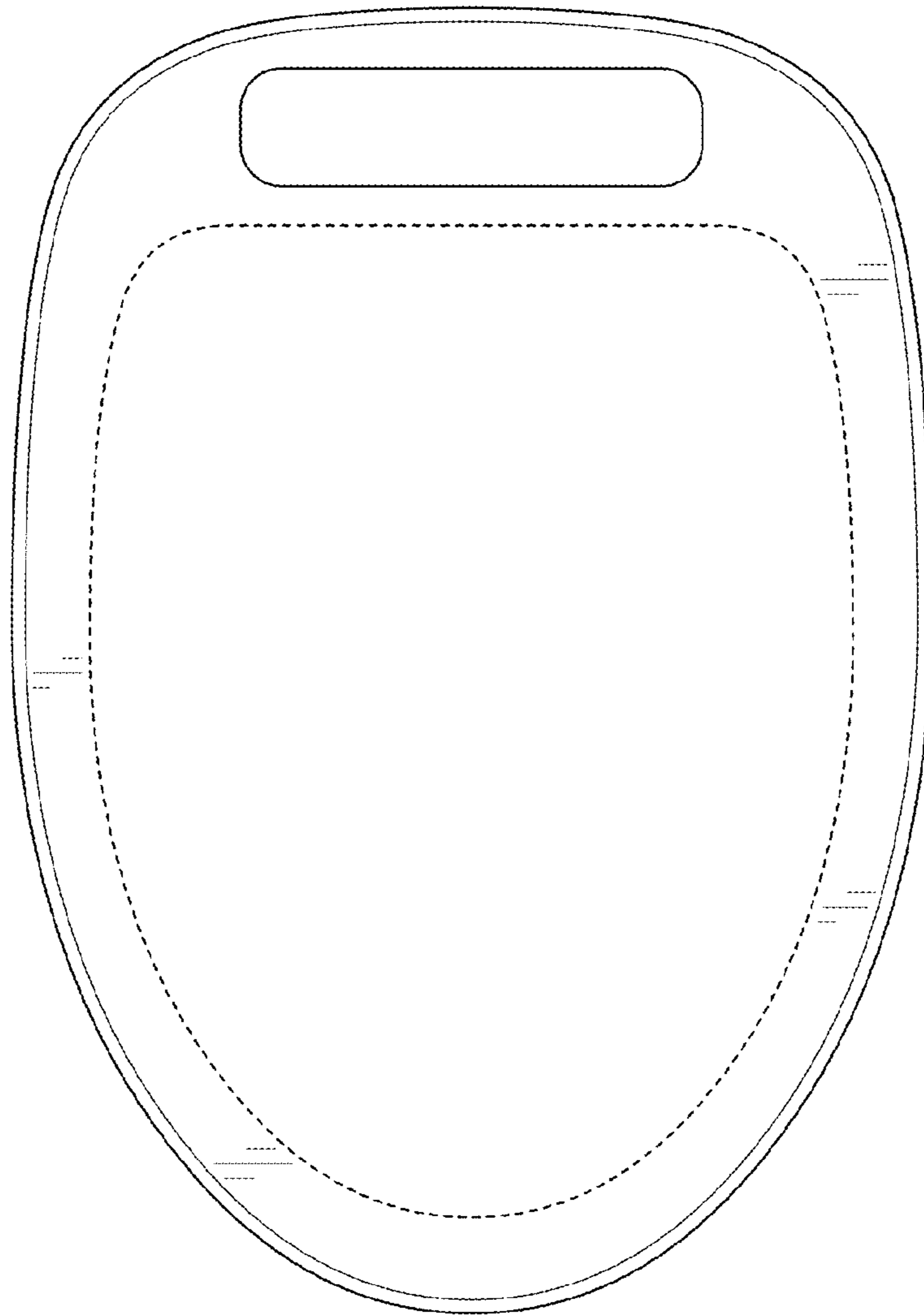


FIG. 3

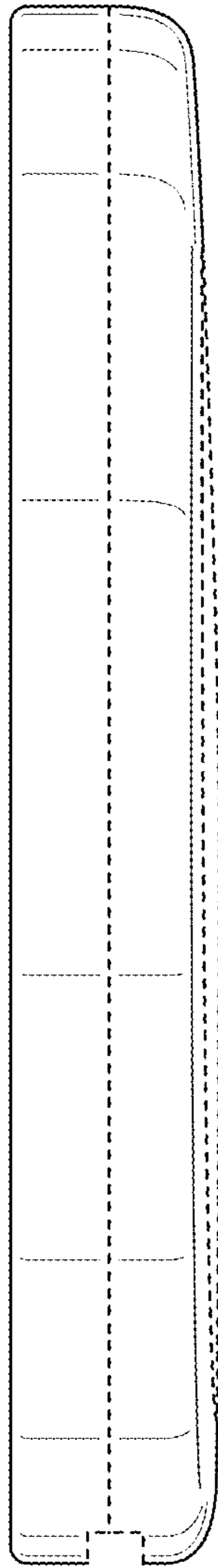


FIG. 4

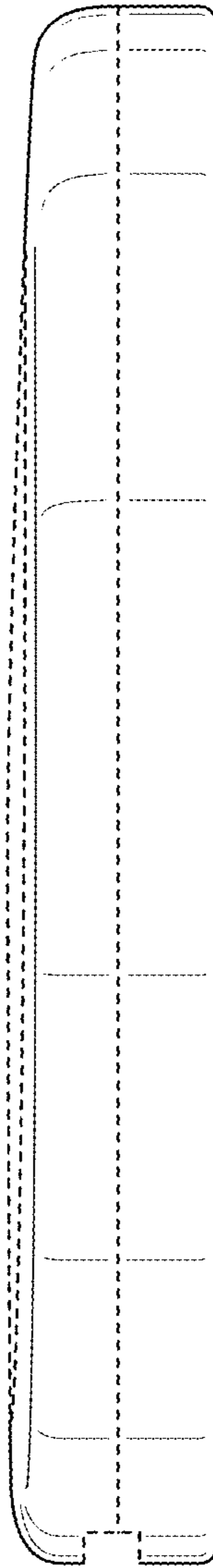


FIG. 5

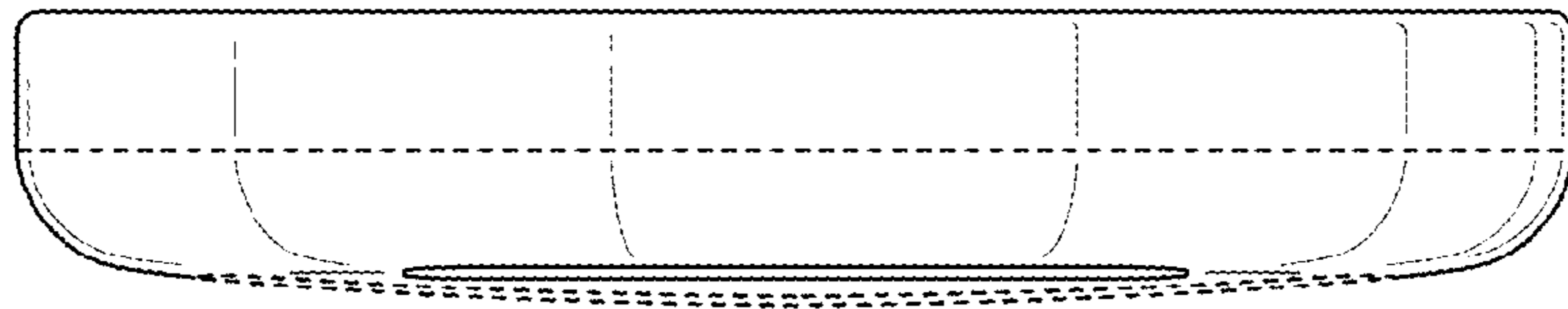


FIG. 6

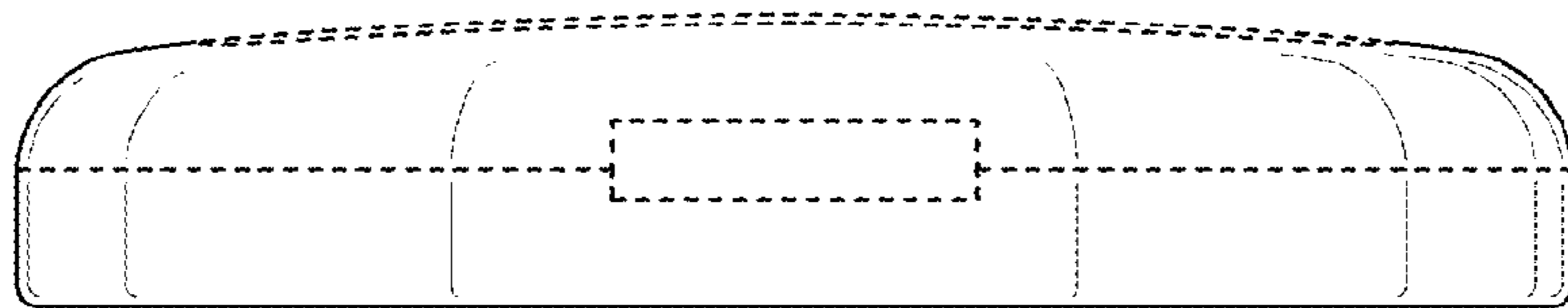


FIG. 7