



US00D720335S

(12) **United States Design Patent**
Ervin et al.

(10) **Patent No.:** **US D720,335 S**

(45) **Date of Patent:** **** Dec. 30, 2014**

(54) **WIRELESS IDENTITY TRANSCEIVER**

(71) Applicant: **QUALCOMM Incorporated**, San Diego, CA (US)

(72) Inventors: **Daniel R Ervin**, Oceanside, CA (US); **Leif A Woodahl**, Poway, CA (US); **Ty R Aberle**, El Cajon, CA (US); **Daniel H Weber**, Escondido, CA (US); **Jeffrey J Vaccaro**, Encinitas, CA (US); **Jatupum Jenwatanavet**, San Diego, CA (US)

(73) Assignee: **QUALCOMM Incorporated**, San Diego, CA (US)

(**) Term: **14 Years**

(21) Appl. No.: **29/447,732**

(22) Filed: **Mar. 6, 2013**

(51) **LOC (10) Cl.** **14-03**

(52) **U.S. Cl.**
USPC **D14/240**

(58) **Field of Classification Search**

CPC H04L 12/00; H03K 17/00; H04W 88/00;
H04W 88/005; H04W 88/02; H04W 88/08;
H04W 88/085; H04W 88/10; H04W 88/12;
H04W 88/14; H04B 1/38
USPC D14/242, 240, 435.1, 357, 358,
D14/140-140.9, 155, 137, 139, 243, 348,
D14/349, 351, 354, 355, 138 AD;
D10/104.1, 104.2; 375/222

See application file for complete search history.

(56) **References Cited**

U.S. PATENT DOCUMENTS

D368,260 S * 3/1996 Oschmann et al. D14/137
D375,097 S * 10/1996 Kovens D14/159
D391,953 S * 3/1998 Copeland et al. D14/137
D442,156 S * 5/2001 Lee D14/138 G

D449,301 S * 10/2001 Stephens et al. D14/358
D459,725 S * 7/2002 Lee et al. D14/358
D467,566 S * 12/2002 Mirabelli et al. D14/137
D471,535 S * 3/2003 Bey D14/218
D484,879 S * 1/2004 Jones D14/358
D490,100 S * 5/2004 Su et al. D18/2
D497,318 S * 10/2004 Strand et al. D10/104.1
D509,812 S * 9/2005 Mack D14/137
D558,173 S * 12/2007 Oross et al. D14/138 AD
D558,703 S * 1/2008 Kwong D14/137
D559,233 S * 1/2008 Tang D14/230
D601,550 S * 10/2009 L'Henaff et al. D14/240
D602,499 S * 10/2009 Lewis D14/496
D606,983 S * 12/2009 Hamer et al. D14/240
7,676,246 B2 * 3/2010 Kreiter 455/556.2

(Continued)

Primary Examiner — Bridget L Eland

(74) *Attorney, Agent, or Firm* — Gerald P. Joyce, III

(57) **CLAIM**

The ornamental design for a wireless identity transceiver, as shown and described.

DESCRIPTION

FIG. 1 is a front/right side perspective view of the wireless identity transceiver design.

FIG. 2 is a front view of the wireless identity transceiver design.

FIG. 3 is a back view of the wireless identity transceiver design.

FIG. 4 is a left side view of the wireless identity transceiver design.

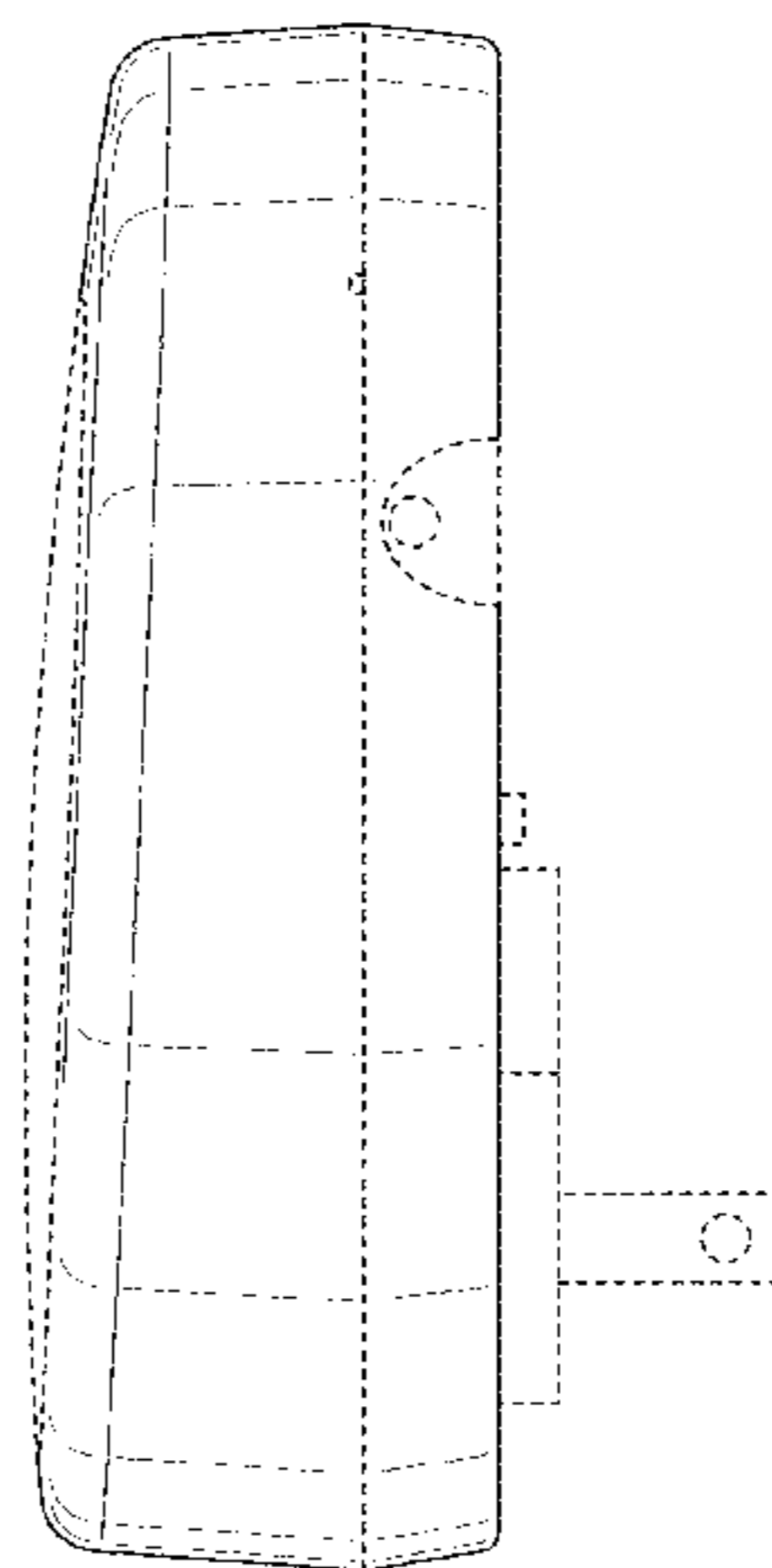
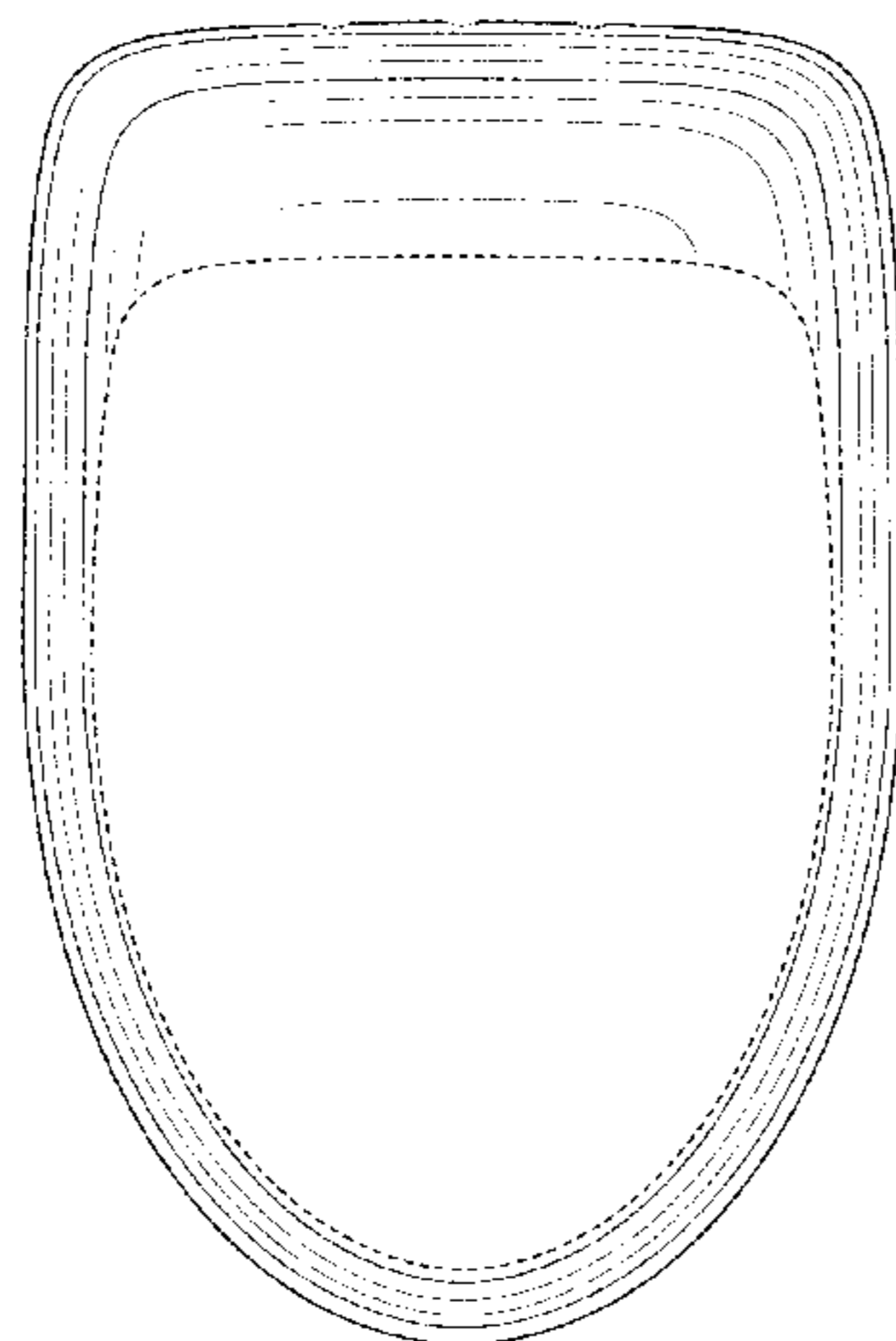
FIG. 5 is a right side view of the wireless identity transceiver design.

FIG. 6 is a top view of the wireless identity transceiver design; and,

FIG. 7 is a bottom view of the wireless identity transceiver design.

The broken lines shown in FIGS. 1-7 represent portions of the wireless identity transceiver that form no part of the claim.

1 Claim, 7 Drawing Sheets



(56)

References Cited

U.S. PATENT DOCUMENTS

D615,438 S * 5/2010 Goetzl et al. D10/104.1
D646,259 S * 10/2011 Daniel D14/155
D651,996 S * 1/2012 Wilson et al. D14/137

D696,223 S * 12/2013 Will et al. D14/155
D697,501 S * 1/2014 Fargeau D14/240
D704,164 S * 5/2014 Green et al. D14/217
2004/0224717 A1* 11/2004 Hertzberg et al. 455/550.1

* cited by examiner

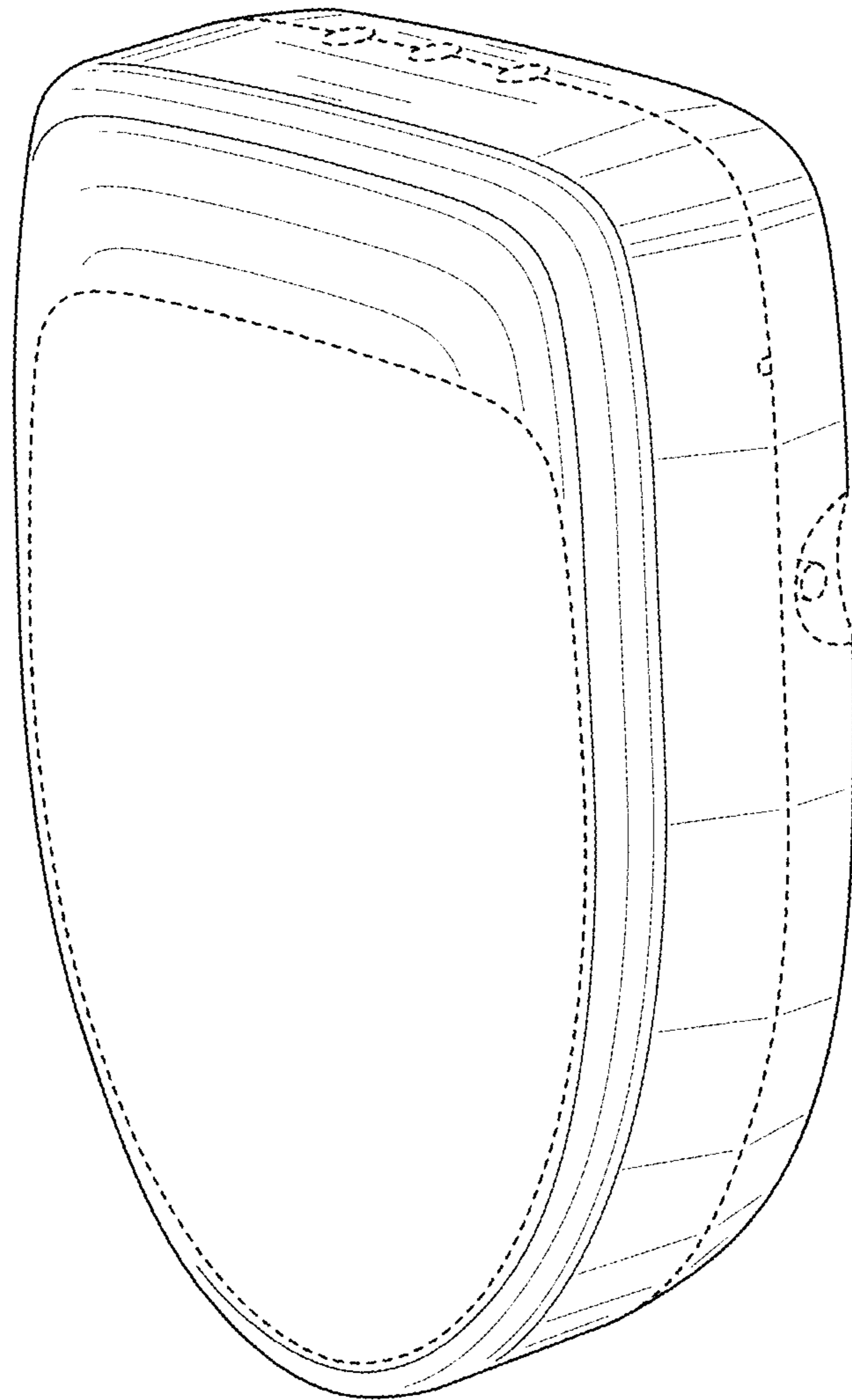


FIG. 1

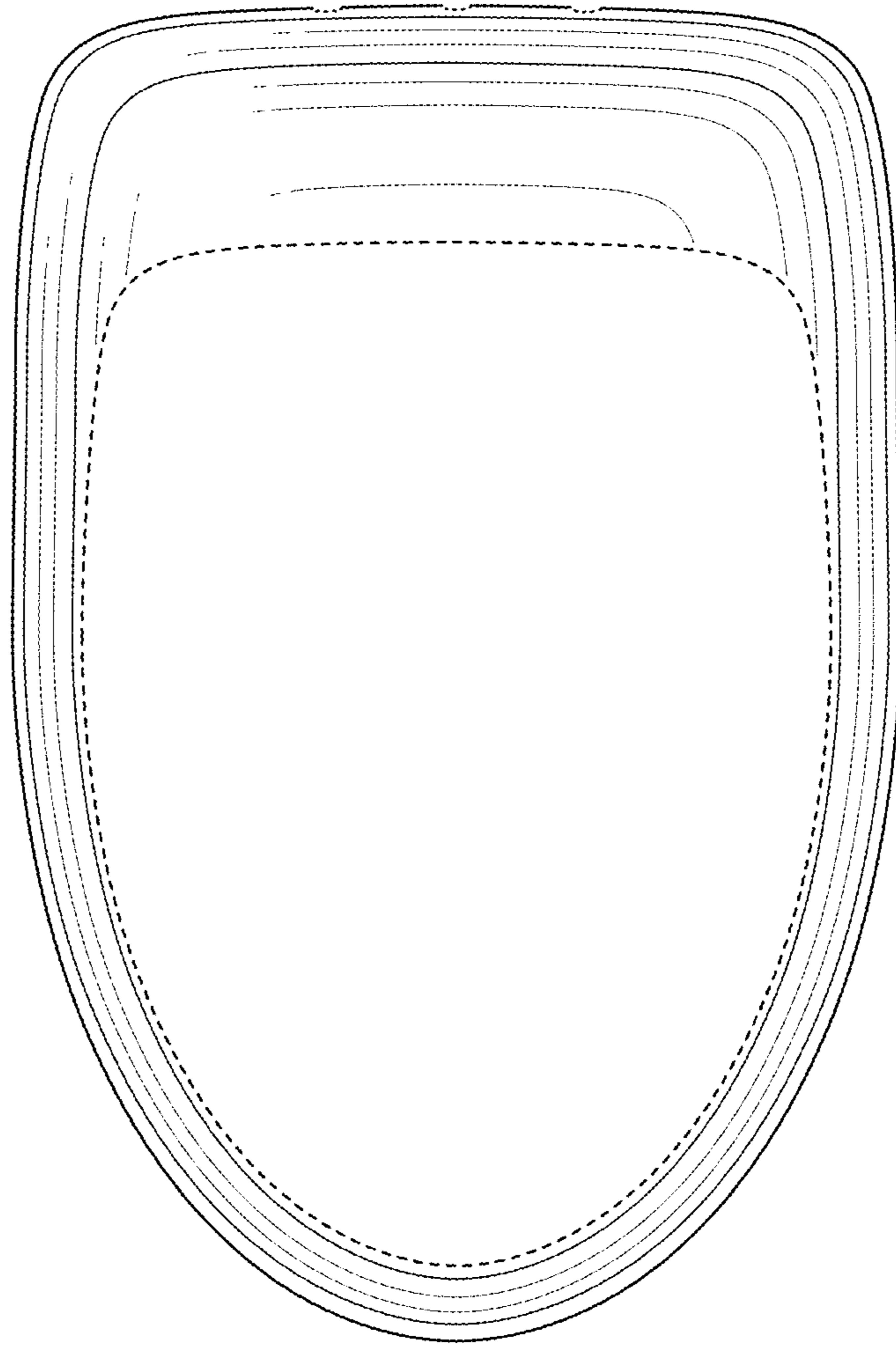


FIG. 2

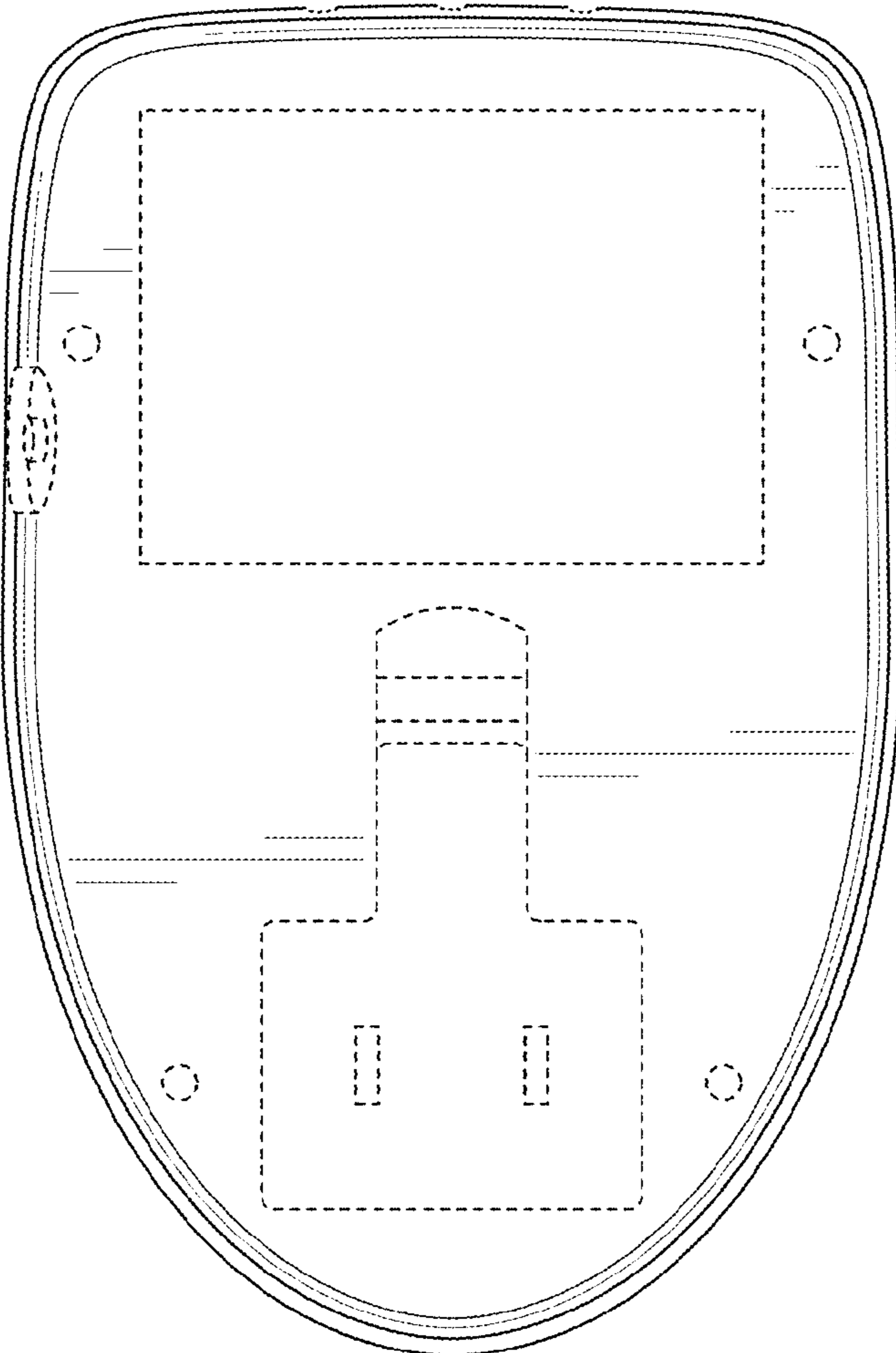


FIG. 3

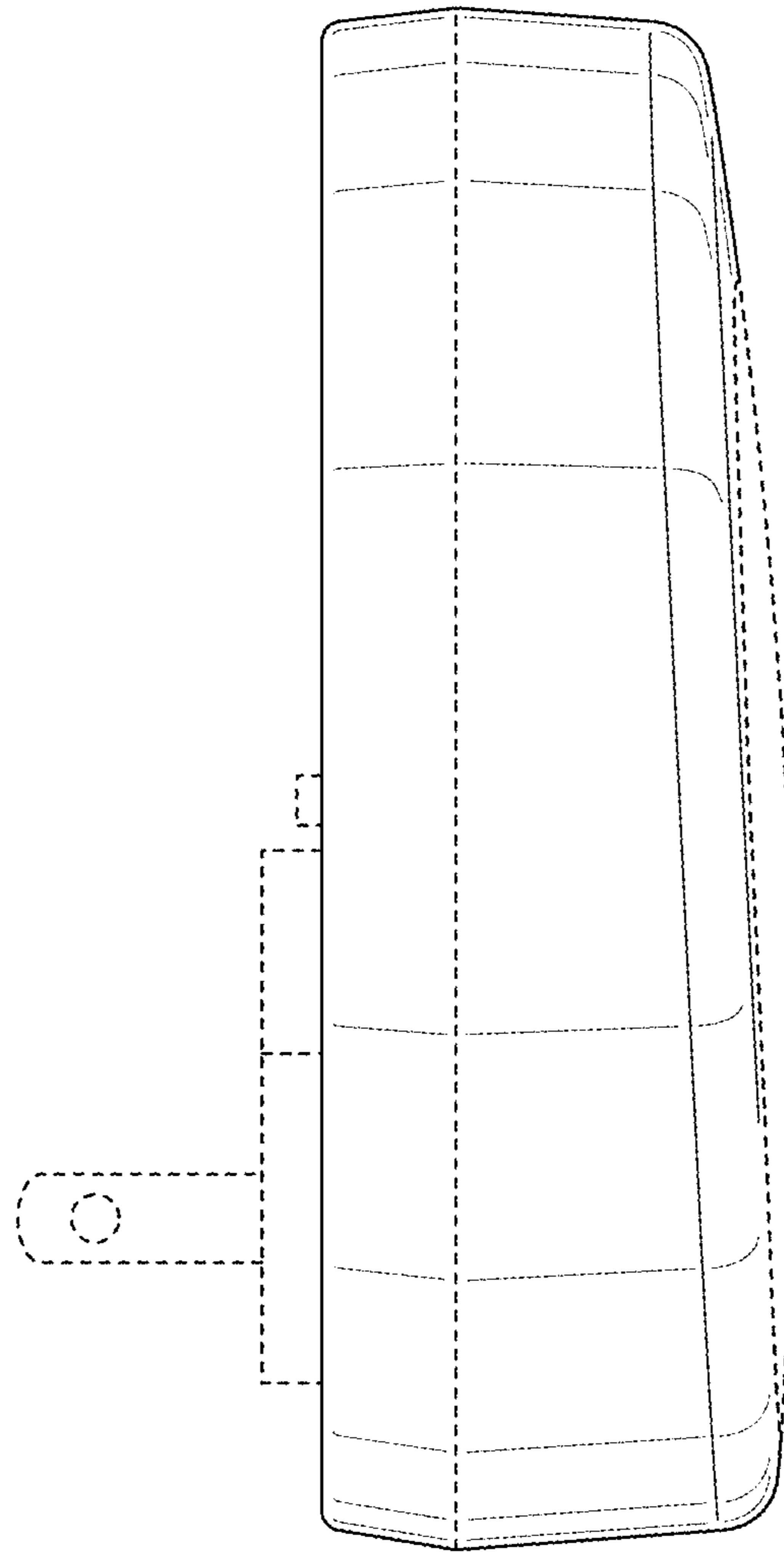


FIG. 4

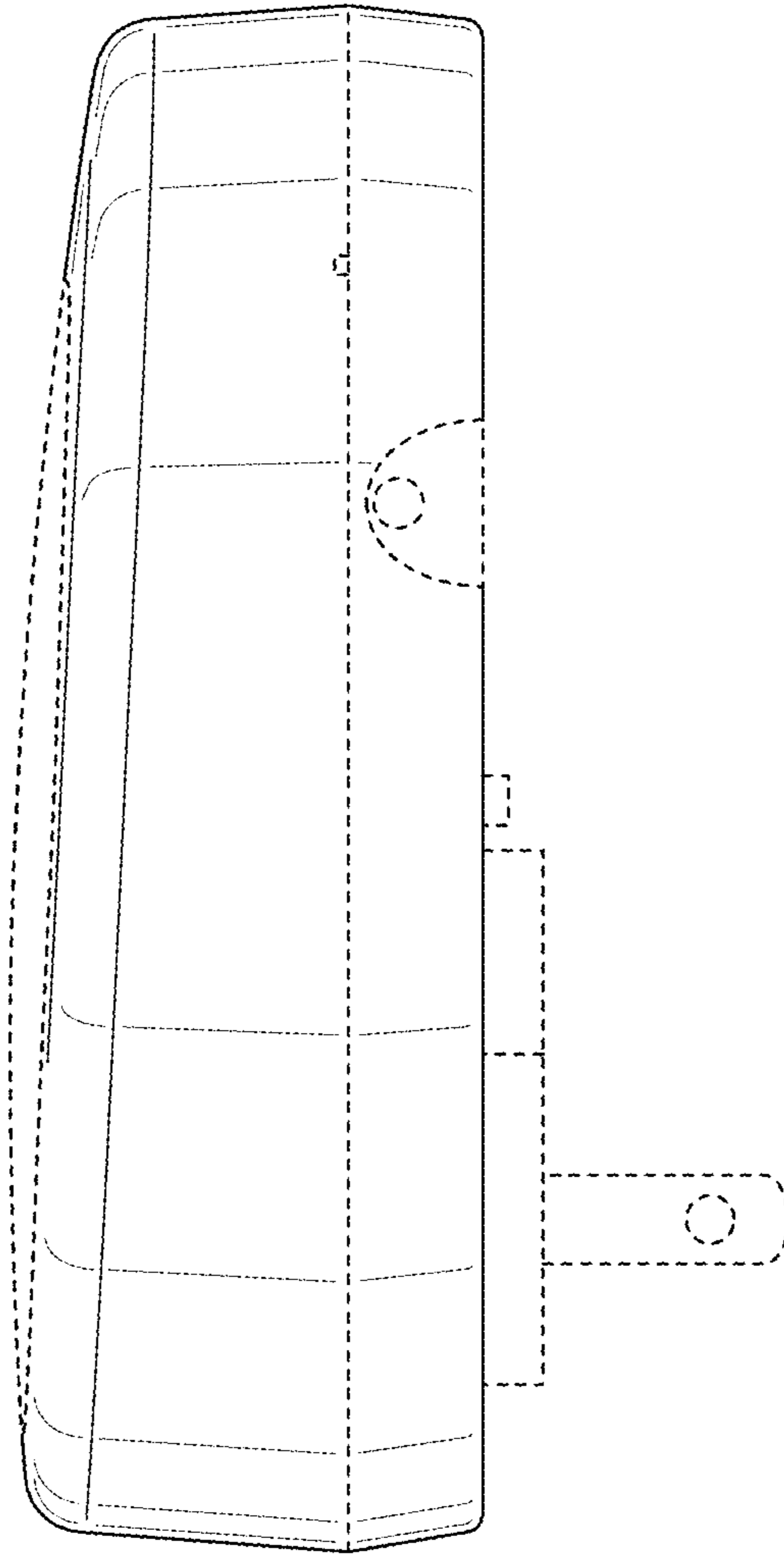


FIG. 5

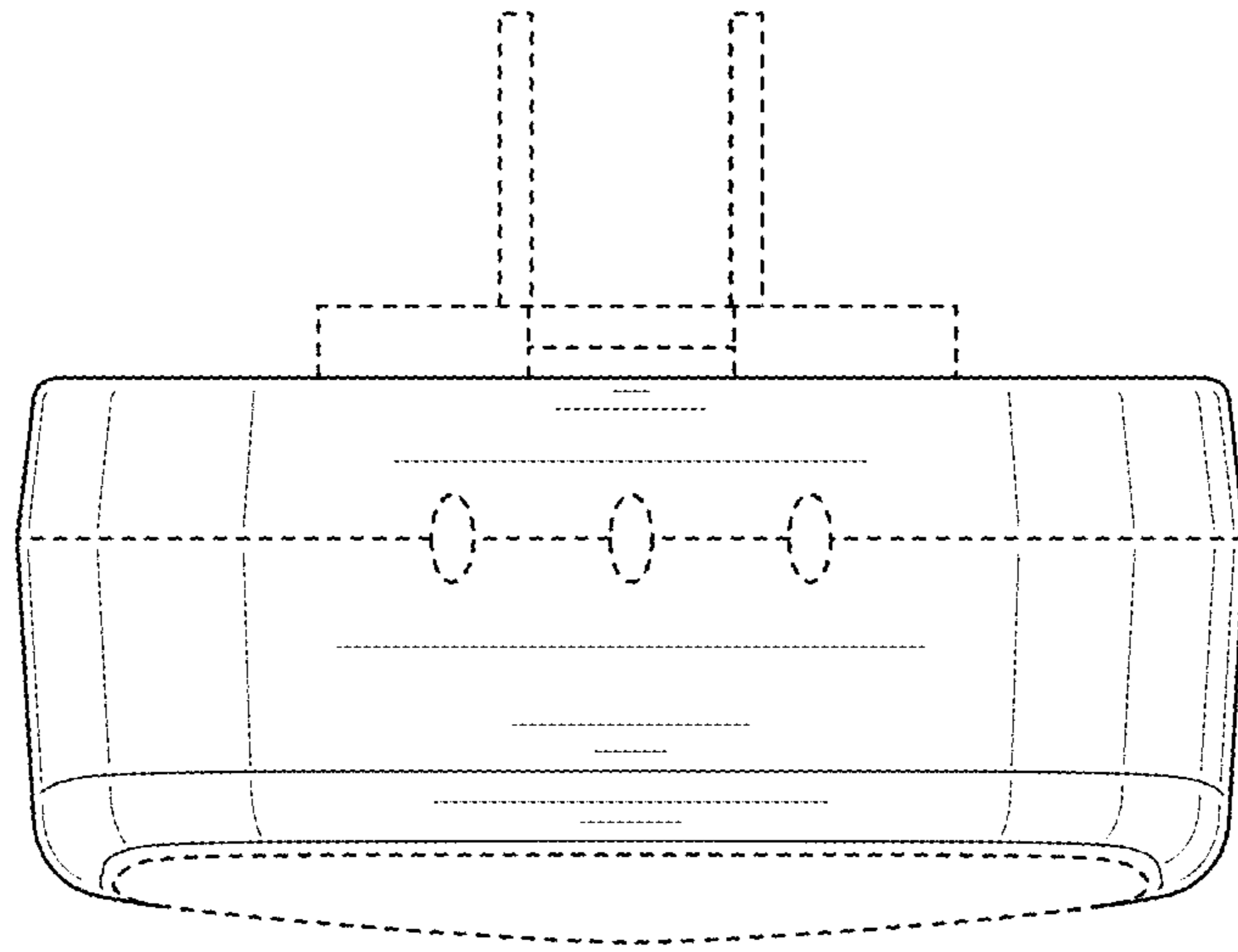


FIG. 6

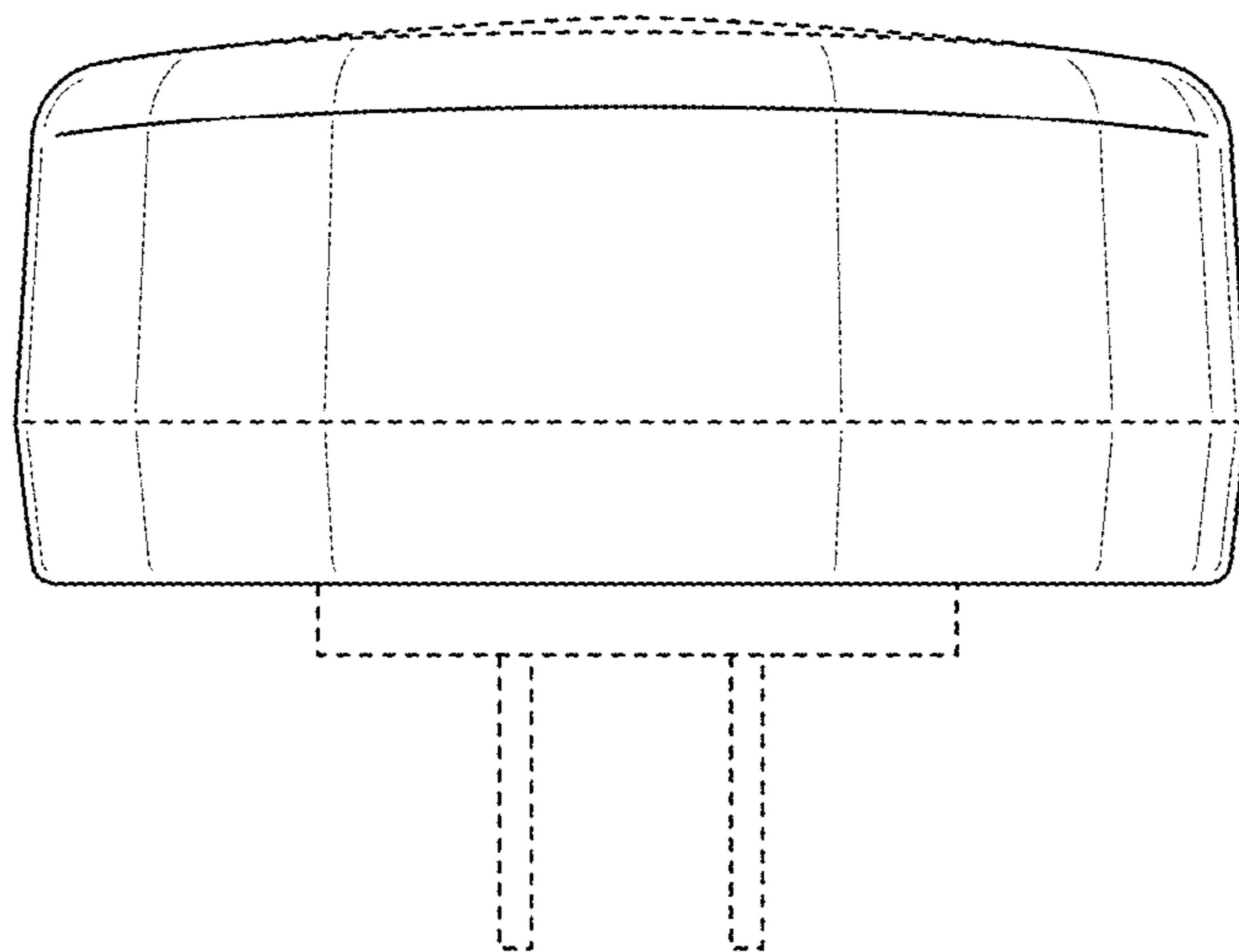


FIG. 7