



US00D720334S

(12) **United States Design Patent**  
**Wang**

(10) **Patent No.:** **US D720,334 S**

(45) **Date of Patent:** **\*\* Dec. 30, 2014**

(54) **KNOB FOR SPEAKER**

381/336, 345, 361–364, 386–388;  
369/6–12

(71) Applicant: **AmTRAN Technology Co., Ltd**, New Taipei (TW)

See application file for complete search history.

(72) Inventor: **Kuan-Hua Wang**, New Taipei (TW)

(56) **References Cited**

(73) Assignee: **AmTRAN Technology Co., Ltd.**, New Taipei (TW)

U.S. PATENT DOCUMENTS

(\*\*) Term: **14 Years**

D470,470	S	*	2/2003	Yamada et al.	.....	D14/167
D484,886	S	*	1/2004	Matsuoka	.....	D14/454
D489,051	S	*	4/2004	Shiraki et al.	.....	D14/238.1
D552,076	S	*	10/2007	Griffin	.....	D14/192
D583,359	S	*	12/2008	Skurdal	.....	D14/171
D584,316	S	*	1/2009	Sheng et al.	.....	D14/496
D616,413	S	*	5/2010	Poandl	.....	D14/171
D635,544	S	*	4/2011	Nohara	.....	D14/167
D640,240	S	*	6/2011	McManigal	.....	D14/218
D650,354	S	*	12/2011	Andre et al.	.....	D14/203.7
D668,255	S	*	10/2012	McManigal et al.	.....	D14/434
D676,413	S	*	2/2013	Poandl	.....	D14/171
D709,856	S	*	7/2014	Holzer	.....	D14/171

(21) Appl. No.: **29/445,247**

(22) Filed: **Feb. 8, 2013**

(30) **Foreign Application Priority Data**

Jan. 4, 2013 (TW) ..... 102300107

(51) **LOC (10) Cl.** ..... **14-03**

(52) **U.S. Cl.**  
USPC ..... **D14/221**; D14/204

(58) **Field of Classification Search**  
CPC ..... H04M 1/03; H04M 1/035; H04R 1/02;  
H04R 1/06; H04R 1/021; H04R 1/025;  
H04R 1/026; H04R 1/105; H04R 1/323;  
H04R 1/345; H04R 1/403; H04R 1/2803;  
H04R 1/2834; H04R 5/02; H04R 7/20;  
H04R 9/06; H04R 9/025; H04R 2201/021;  
H04R 2400/07; H04R 2499/11; H04R  
2499/13; H04R 2499/15; G06F 1/1688;  
H04N 5/642; H04N 21/4852; H04S 3/00;  
H04S 7/30; B60R 11/0217  
USPC ..... D14/167, 168, 170–172, 188, 194–197,  
D14/204, 207, 209.1, 210–217, 221, 222,  
D14/224, 238.1, 432, 454–456, 496;  
181/143, 144, 147, 148, 150, 153, 157,  
181/198, 199; 381/300–303, 306, 332, 333,

\* cited by examiner

*Primary Examiner* — Keli L Hill

(74) *Attorney, Agent, or Firm* — Muncy, Geissler, Olds & Lowe, P.C.

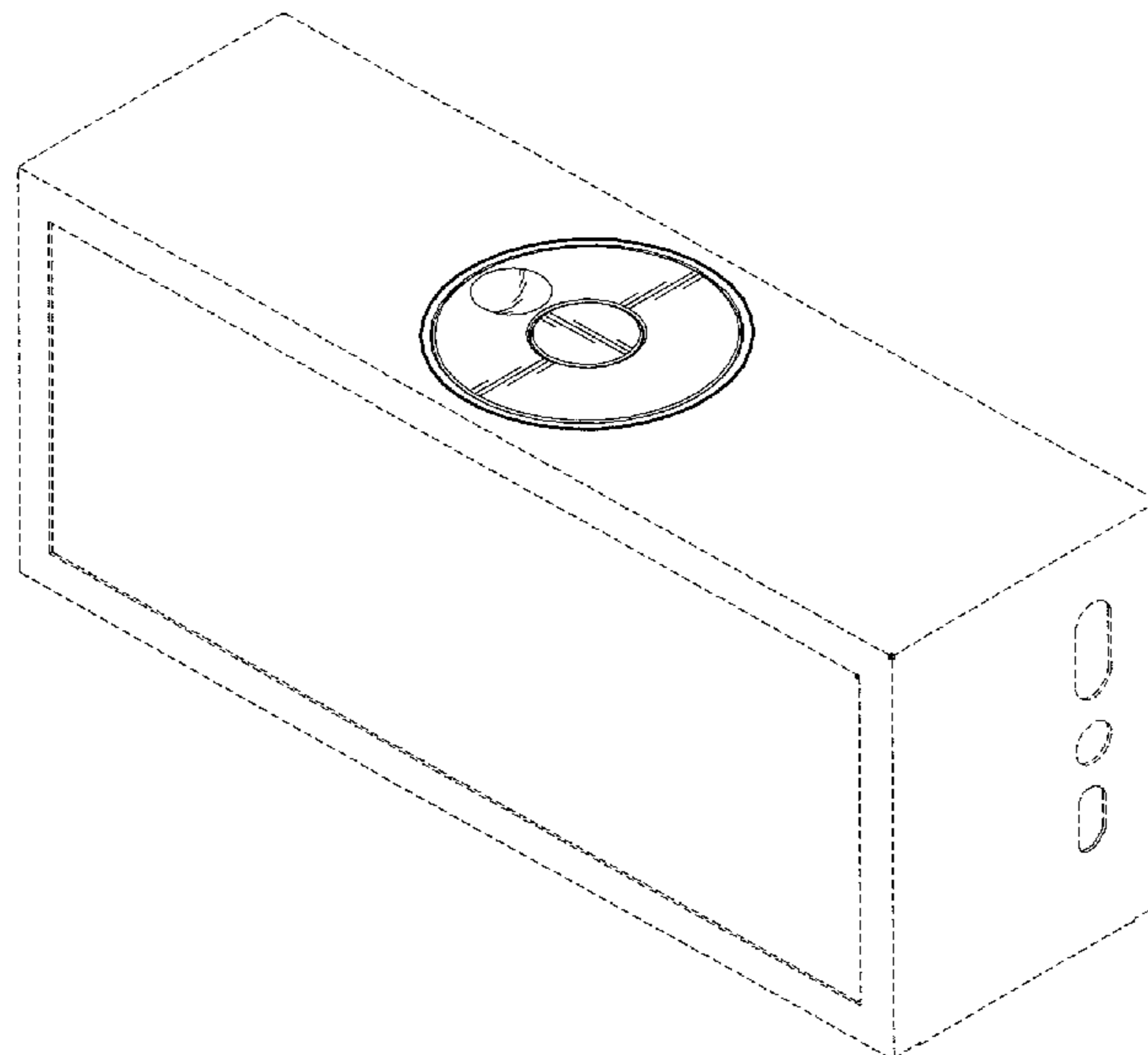
(57) **CLAIM**

The ornamental design for a “knob for speaker,” as shown and described.

**DESCRIPTION**

FIG. 1 is a perspective view of knob for speaker showing our new design; and,  
FIG. 2 is a top view thereof.  
The broken line showing of a speaker is included for the purpose of illustrating environment of the design and forms no part of the claimed design.

**1 Claim, 2 Drawing Sheets**



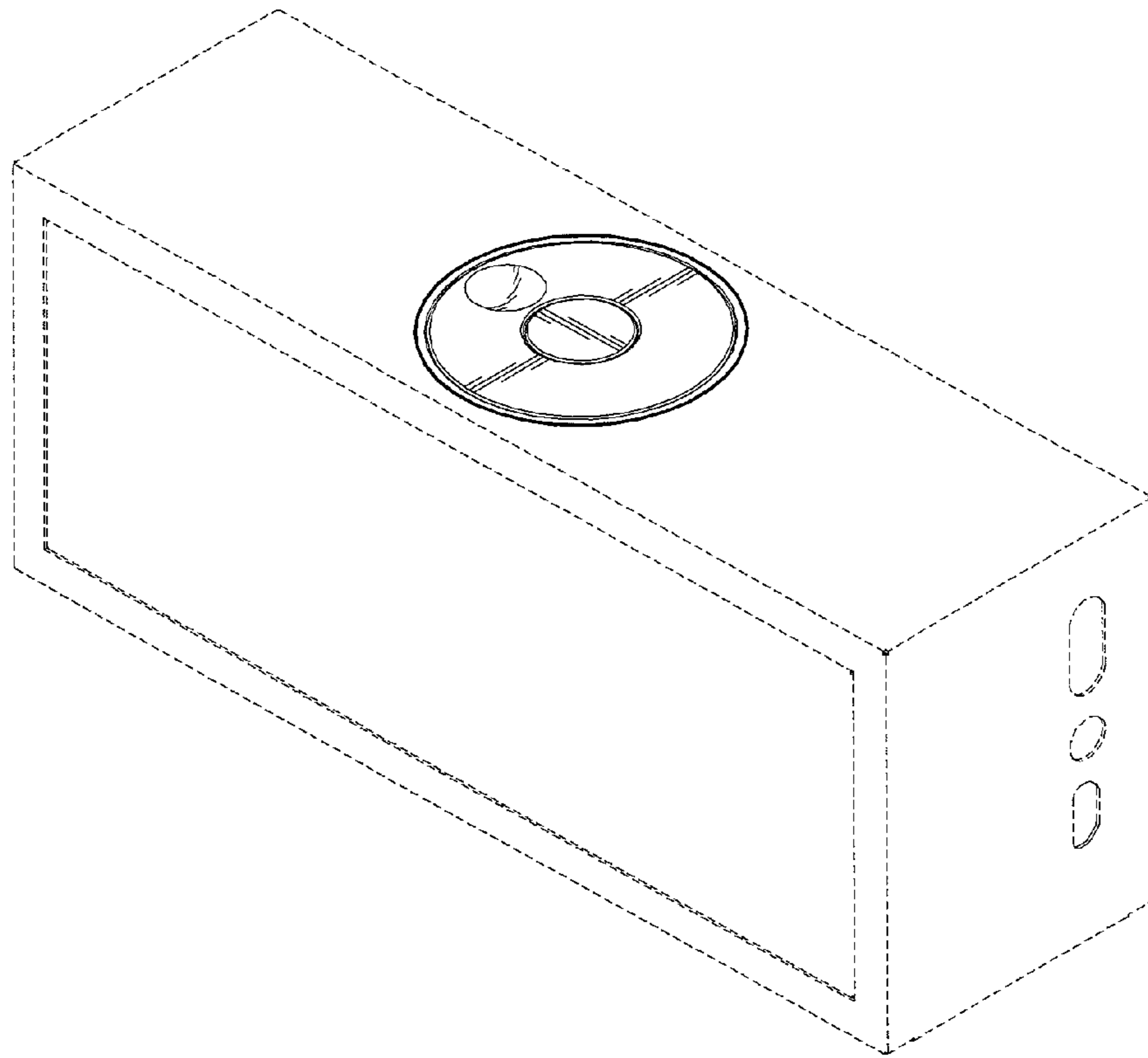


FIG.1

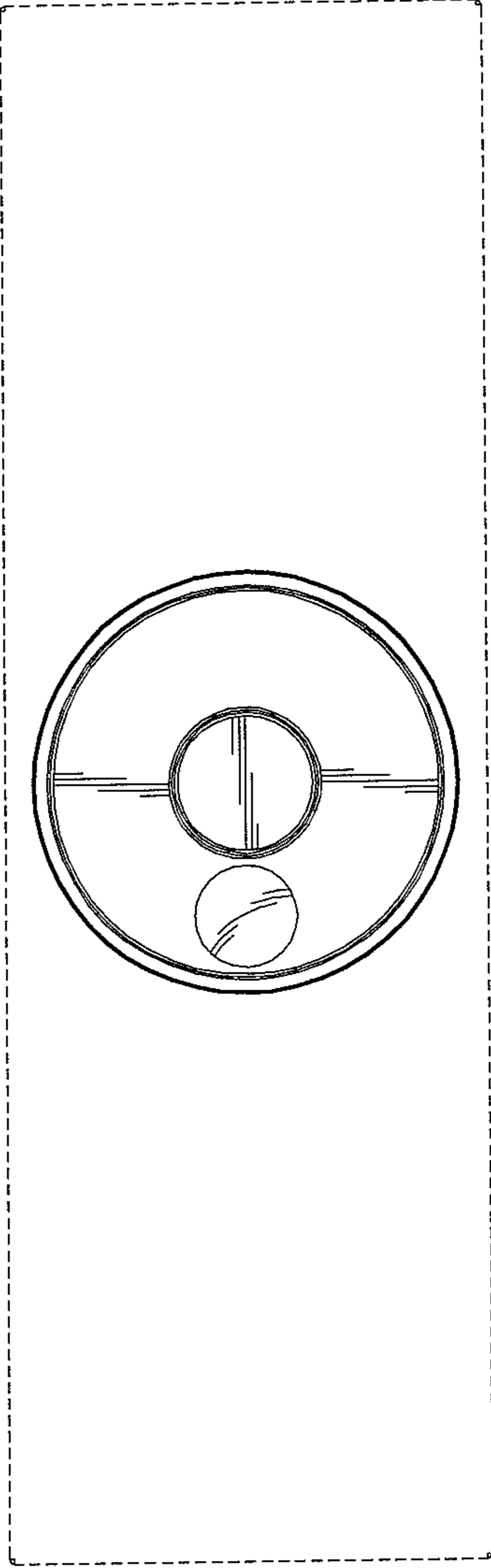


FIG.2