

US00D720333S

(12) **United States Design Patent**  
**Akana et al.**

(10) **Patent No.:** **US D720,333 S**

(45) **Date of Patent:** **\*\* Dec. 30, 2014**

(54) **DOCK INSERT**

D3/218; 248/221.11, 309.1; 320/107,  
320/110, 113-115; 361/600; 439/529, 534;  
455/556.1-556.2, 557; D8/349, 355,  
D8/373, 380

(75) Inventors: **Jody Akana**, San Francisco, CA (US);  
**Bartley K. Andre**, Menlo Park, CA  
(US); **Jeremy Bataillou**, San Francisco,  
CA (US); **Daniel J. Coster**, San  
Francisco, CA (US); **Daniele De Iuliis**,  
San Francisco, CA (US); **Evans**  
**Hankey**, San Francisco, CA (US);  
**Richard P. Howarth**, San Francisco, CA  
(US); **Jonathan P. Ive**, San Francisco,  
CA (US); **Duncan Robert Kerr**, San  
Francisco, CA (US); **Shin Nishibori**,  
Kailua, HI (US); **Matthew Dean**  
**Rohrbach**, San Francisco, CA (US);  
**Peter Russell-Clarke**, San Francisco,  
CA (US); **Christopher J. Stringer**,  
Woodside, CA (US); **Eugene Antony**  
**Whang**, San Francisco, CA (US); **Rico**  
**Zorkendorfer**, San Francisco, CA (US)

See application file for complete search history.

(56) **References Cited**

U.S. PATENT DOCUMENTS

D477,823 S 7/2003 Lavello, Sr.  
D495,336 S 8/2004 Andre et al.  
D532,005 S 11/2006 Leith  
D535,614 S 1/2007 Majanen et al.

(Continued)

FOREIGN PATENT DOCUMENTS

TW D134538 S1 4/2010

*Primary Examiner* — Keli L Hill

(74) *Attorney, Agent, or Firm* — Sterne, Kessler, Goldstein  
& Fox P.L.L.C.

(73) Assignee: **Apple Inc.**, Cupertino, CA (US)

(\*\*) Term: **14 Years**

(21) Appl. No.: **29/429,538**

(22) Filed: **Aug. 13, 2012**

**Related U.S. Application Data**

(63) Continuation of application No. 29/400,318, filed on  
Aug. 26, 2011, now Pat. No. Des. 665,381, which is a  
continuation of application No. 29/363,273, filed on  
Jun. 7, 2010, now Pat. No. Des. 644,208.

(51) **LOC (10) Cl.** ..... **14-03**

(52) **U.S. Cl.**  
USPC ..... **D14/217**

(58) **Field of Classification Search**  
USPC ..... D14/140, 142, 149, 155, 157, 188,  
D14/191-193, 203.1-203.8, 217, 240, 243,  
D14/251-253, 432-435.1, 447, 451, 496,  
D14/474, 480.1-480.7; D13/107, 108, 118;

(57) **CLAIM**

The ornamental design for a dock insert, as shown and  
described.

**DESCRIPTION**

FIG. 1 is a top front perspective view of a dock insert showing  
our new design;

FIG. 2 is a bottom rear perspective view thereof;

FIG. 3 is a top plan view thereof;

FIG. 4 is a bottom plan view thereof;

FIG. 5 is a rear view thereof;

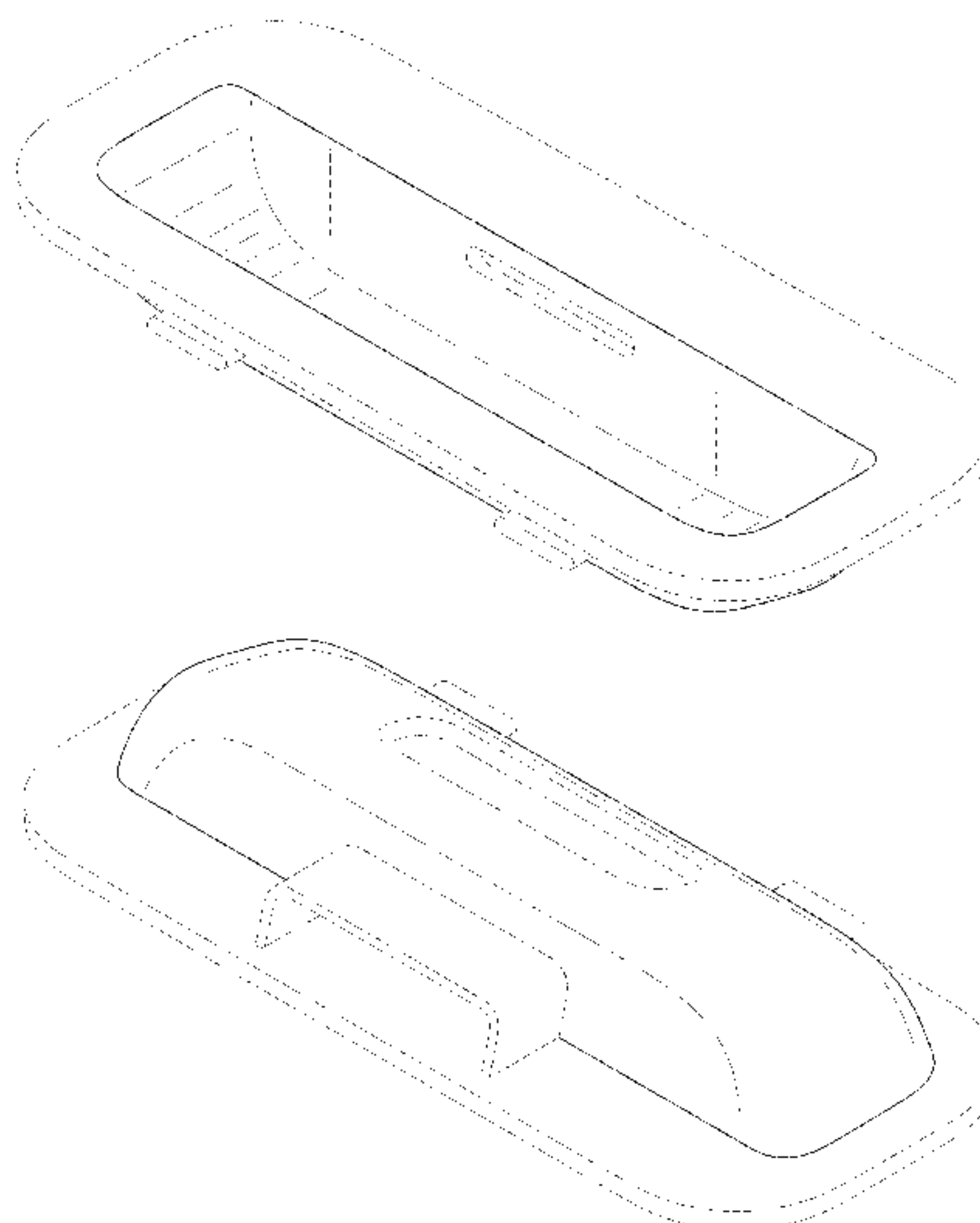
FIG. 6 is a front view thereof;

FIG. 7 is a right side view thereof; and,

FIG. 8 is a left side view thereof.

The broken lines in the Figures show portions of the dock  
insert which form no part of the claimed design. The shade  
lines in the Figures show contour and not surface ornamen-  
tation.

**1 Claim, 6 Drawing Sheets**



(56)

**References Cited**

U.S. PATENT DOCUMENTS

D551,212 S	9/2007	Andre et al.	D606,518 S	12/2009	Andre et al.	
D551,214 S	9/2007	Hussaini et al.	D608,352 S	1/2010	Andre et al.	
D552,085 S	10/2007	Andre et al.	D623,188 S	9/2010	Son et al.	
D553,106 S	10/2007	Griffin	D625,292 S	10/2010	Andre et al.	
D558,738 S	1/2008	Andre et al.	D626,940 S	11/2010	Andre et al.	
D558,739 S	1/2008	Andre et al.	D643,409 S *	8/2011	Shimizu et al. ....	D14/217
D575,275 S	8/2008	Andre et al.	D643,831 S	8/2011	Chun et al.	
D578,110 S	10/2008	Andre et al.	D644,208 S	8/2011	Akana et al.	
D578,512 S	10/2008	Andre et al.	D648,707 S	11/2011	Akana et al.	
D592,187 S	5/2009	Ledbetter et al.	D649,137 S	11/2011	DeVesto	
D595,265 S	6/2009	Andre et al.	D649,551 S	11/2011	Hwang et al.	
D596,621 S	7/2009	Andre et al.	D660,794 S *	5/2012	Fahrendorff et al. ....	D13/108
D597,079 S	7/2009	Andre et al.	D662,491 S	6/2012	Andre et al.	
D599,783 S	9/2009	Andre et al.	D662,492 S	6/2012	Akana et al.	
D599,784 S	9/2009	Hansen et al.	D665,381 S *	8/2012	Akana et al. ....	D14/217
D605,174 S	12/2009	Andre et al.	D702,664 S *	4/2014	Kim .....	D14/217
			D707,625 S *	6/2014	Ibuki et al. ....	D13/108
			2007/0047198 A1	3/2007	Crooijmans et al.	
			2010/0118485 A1	5/2010	Crooijmans et al.	

\* cited by examiner

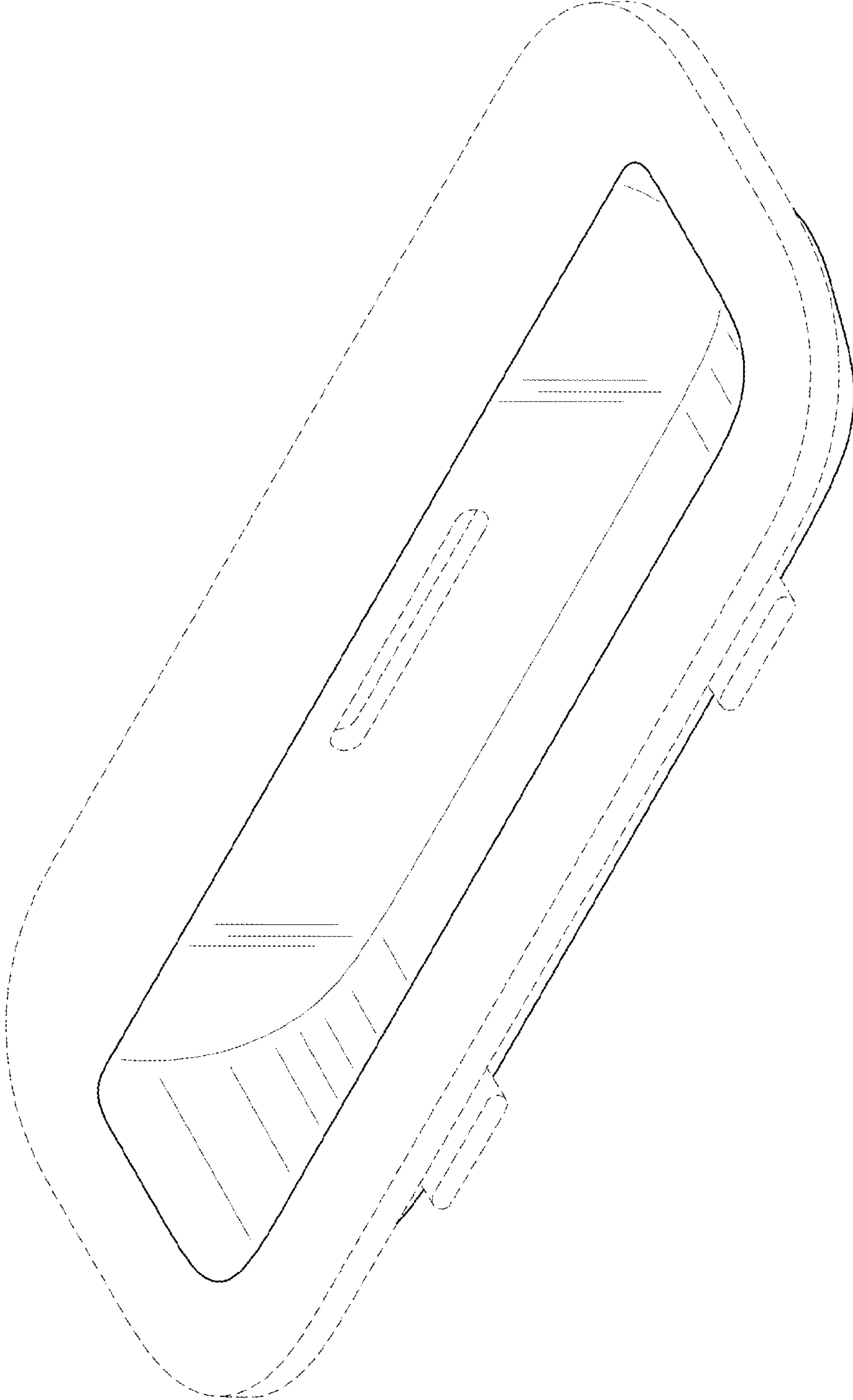


FIG. 1

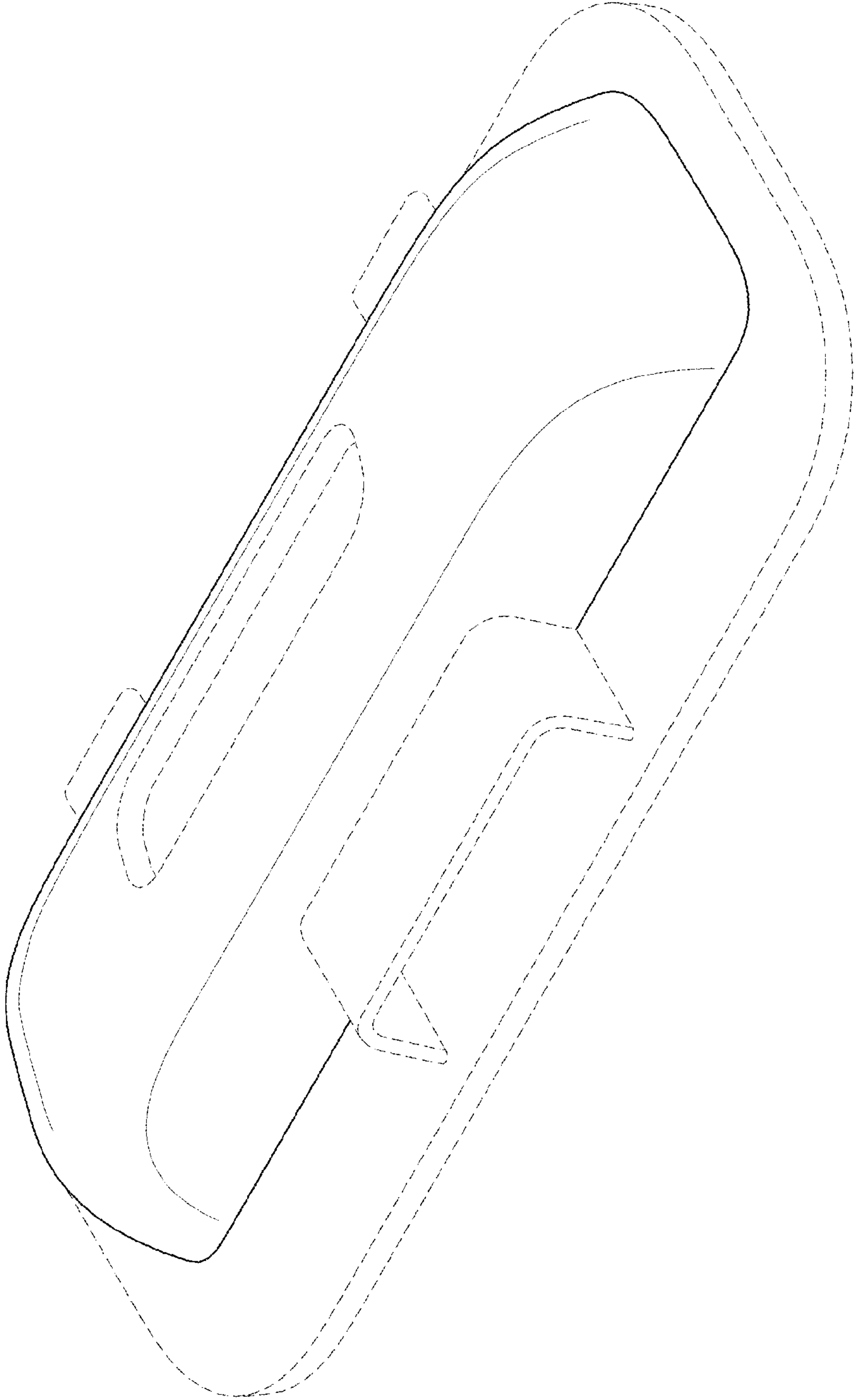


FIG. 2

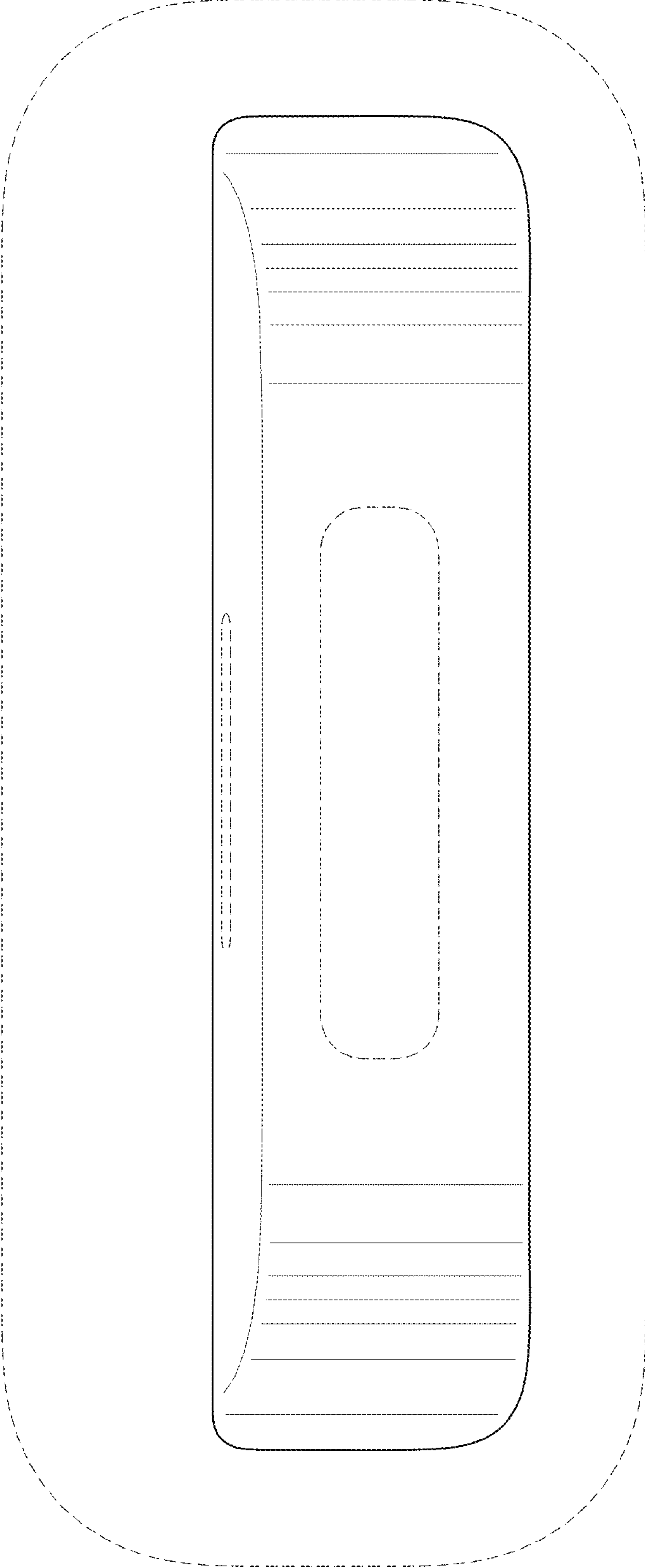


FIG. 3

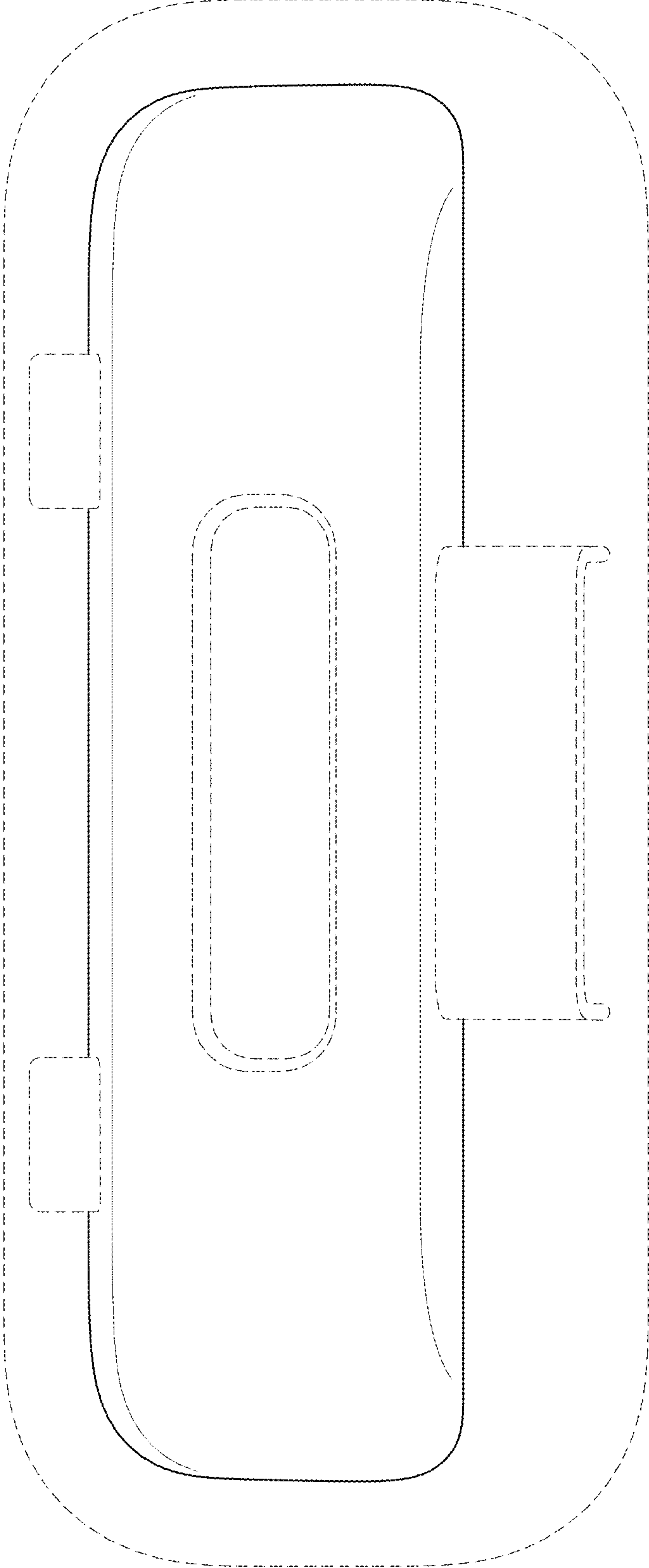


FIG. 4



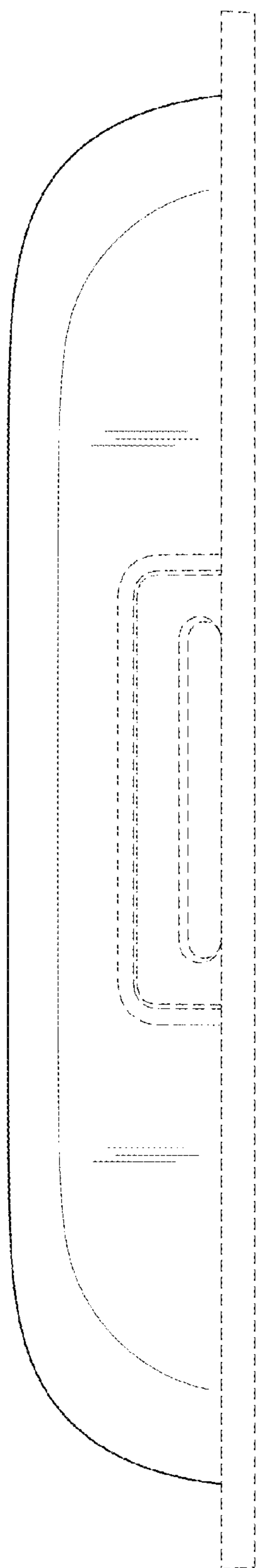


FIG. 5

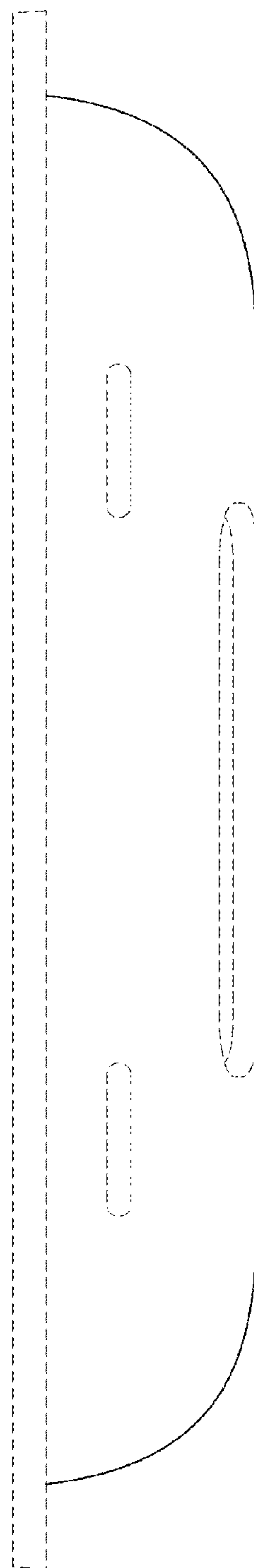


FIG. 6

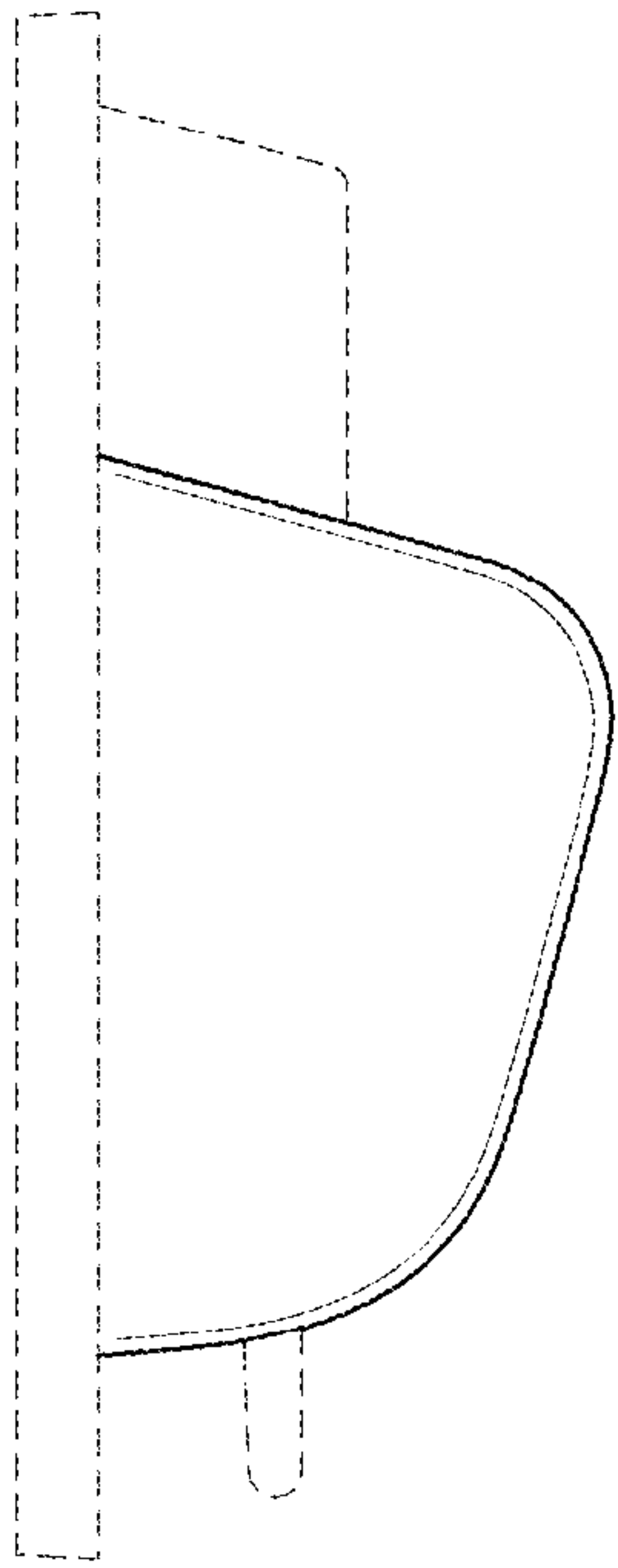


FIG. 7

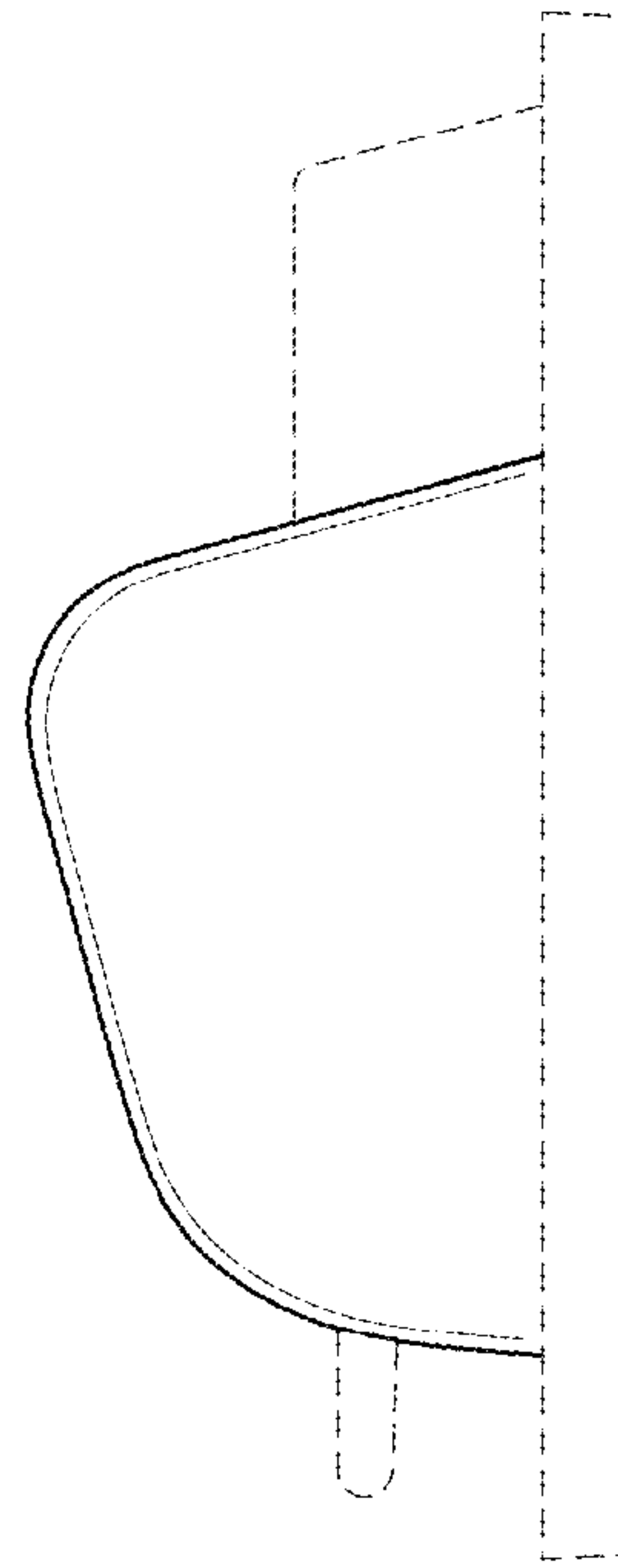


FIG. 8