

US00D720332S

(12) **United States Design Patent**
Kim

(10) **Patent No.:** **US D720,332 S**

(45) **Date of Patent:** **** Dec. 30, 2014**

(54) **PORTABLE RECHARGEABLE BLUETOOTH SPEAKER**

(71) Applicant: **Min S. Kim**, Palisades Park, NJ (US)

(72) Inventor: **Min S. Kim**, Palisades Park, NJ (US)

(73) Assignee: **SDI Technologies, Inc.**, Rahway, NJ (US)

(**) Term: **14 Years**

(21) Appl. No.: **29/468,825**

(22) Filed: **Oct. 3, 2013**

(51) **LOC (10) Cl.** **14-03**

(52) **U.S. Cl.**
USPC **D14/216**

(58) **Field of Classification Search**

CPC H04M 1/03; H04M 1/035; H04R 1/02; H04R 1/06; H04R 1/021; H04R 1/025; H04R 1/026; H04R 1/105; H04R 1/323; H04R 1/345; H04R 1/403; H04R 1/2803; H04R 1/2834; H04R 5/02; H04R 7/20; H04R 9/06; H04R 9/025; H04R 2201/021; H04R 2400/07; H04R 2499/11; H04R 2499/13; H04R 2499/15; G06F 1/1688; H04N 5/642; H04N 21/4852; H04S 3/00; H04S 7/30; B60R 11/0217
USPC D14/167, 168, 170–172, 188, 194–196, D14/204, 207, 209.1, 210–216, 219, 221, D14/222, 224, 496; 181/143, 144, 147, 148, 181/150, 153, 157, 198, 199; 381/300–303, 381/306, 332, 333, 336, 345, 361–364, 381/386–388; 369/6–12

See application file for complete search history.

(56) **References Cited**

U.S. PATENT DOCUMENTS

D342,738 S * 12/1993 Hwang D14/213
D610,572 S * 2/2010 Skurdal D14/216

D620,480 S * 7/2010 Garrett D14/216
D635,554 S * 4/2011 Lee D14/216
D646,839 S * 10/2011 Verelst D26/106
D656,486 S * 3/2012 Parraga Gimeno D14/216
D682,805 S * 5/2013 Rath D14/149
D695,710 S * 12/2013 Szymanski et al. D14/214
D695,714 S * 12/2013 Lee D14/216
D697,894 S * 1/2014 Krisztal D14/204
D698,758 S * 2/2014 Behar et al. D14/219
D699,218 S * 2/2014 Lee D14/216
D699,219 S * 2/2014 Lee D14/216
D699,220 S * 2/2014 Lee D14/216
D710,826 S * 8/2014 Holzer D14/216

* cited by examiner

Primary Examiner — Keli L Hill

(74) *Attorney, Agent, or Firm* — Ostrolenk Faber LLP

(57) **CLAIM**

The ornamental design for a portable rechargeable bluetooth speaker, as shown and described.

DESCRIPTION

FIG. 1 is a top, front, perspective view of a portable rechargeable bluetooth speaker showing my new design in an open condition;

FIG. 2 is a front view thereof;

FIG. 3 is a rear view thereof;

FIG. 4 is a top view thereof;

FIG. 5 is a bottom view thereof;

FIG. 6 is a left side view thereof;

FIG. 7 is a right side view thereof;

FIG. 8 is a cross-sectional view thereof along line 8-8 in FIG. 2;

FIG. 9 is a front, perspective view thereof showing my new design in a closed condition;

FIG. 10 is a front view thereof;

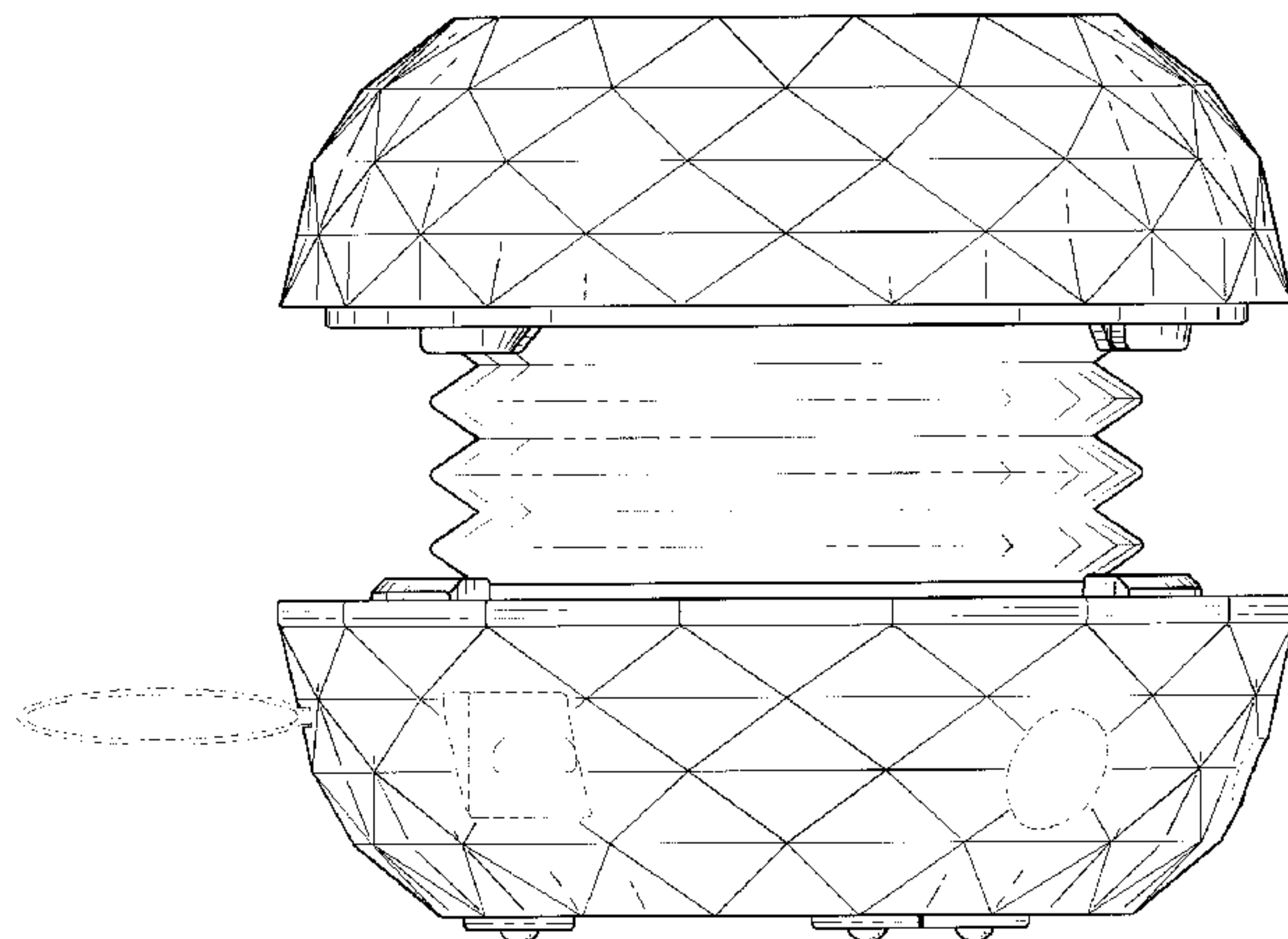
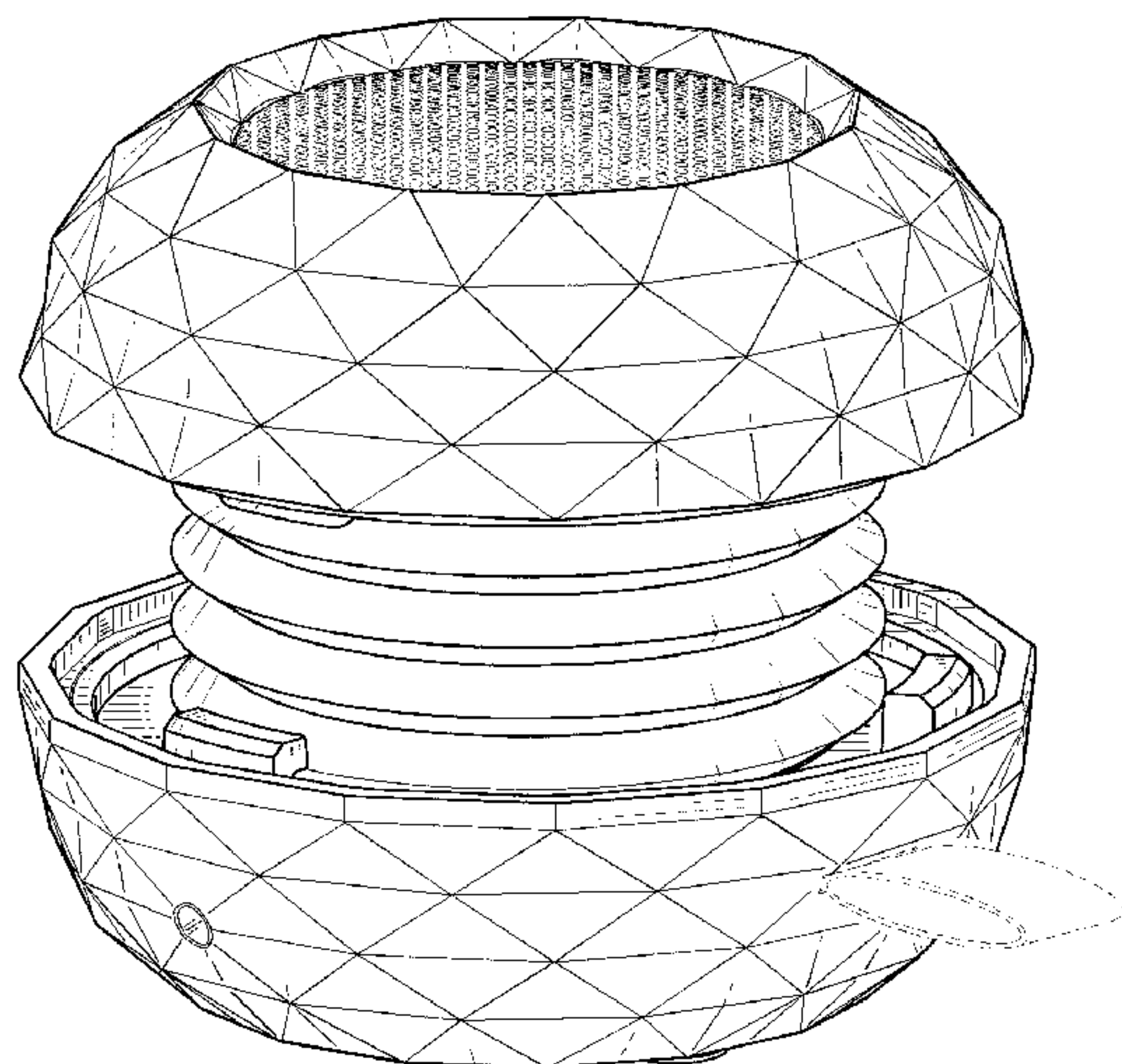
FIG. 11 is a rear view thereof;

FIG. 12 is a left side view thereof; and,

FIG. 13 is a right side view thereof.

The broken lines in the drawings illustrate environmental material that forms no part of the claimed design.

1 Claim, 13 Drawing Sheets



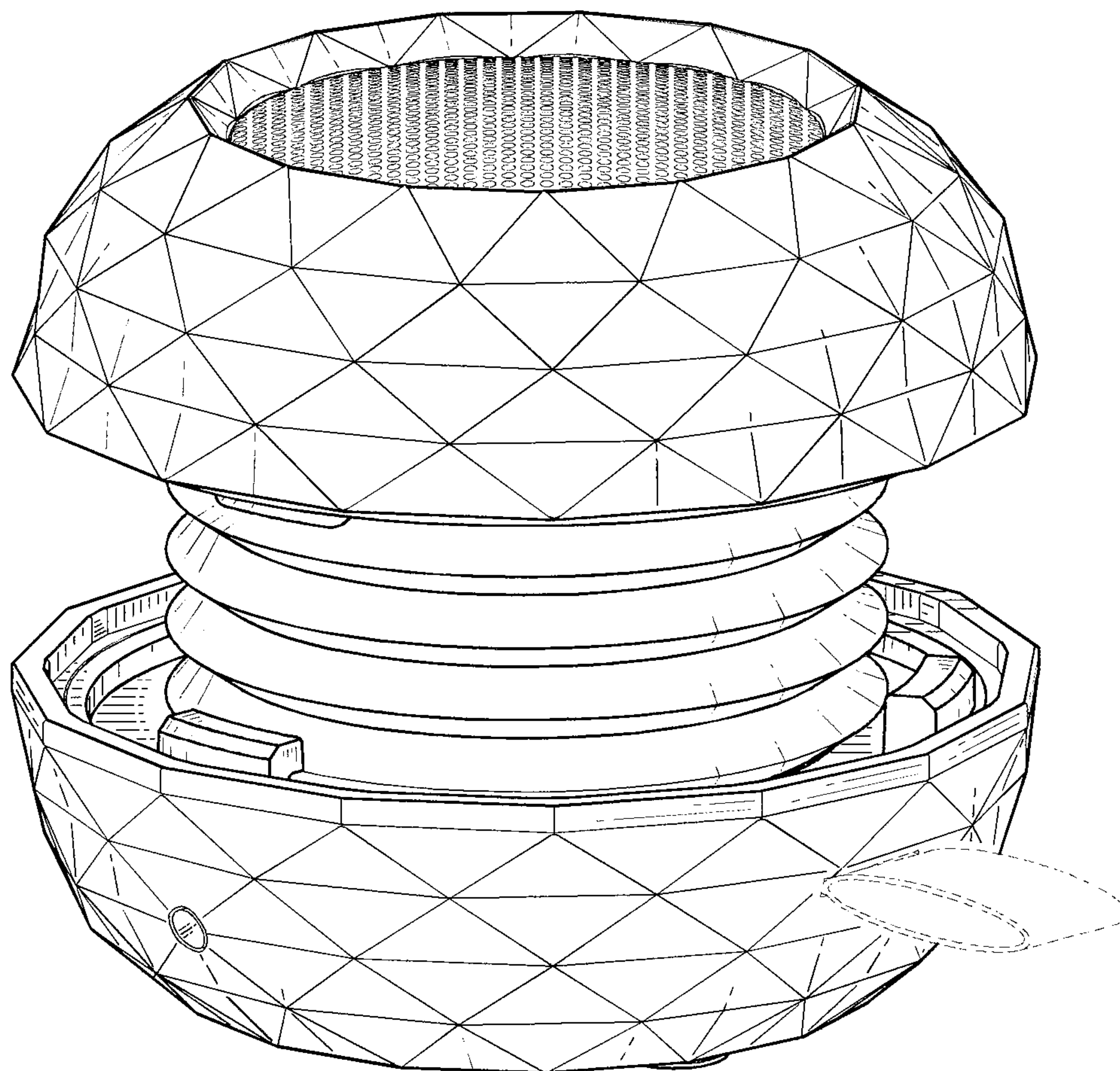


FIG. 1

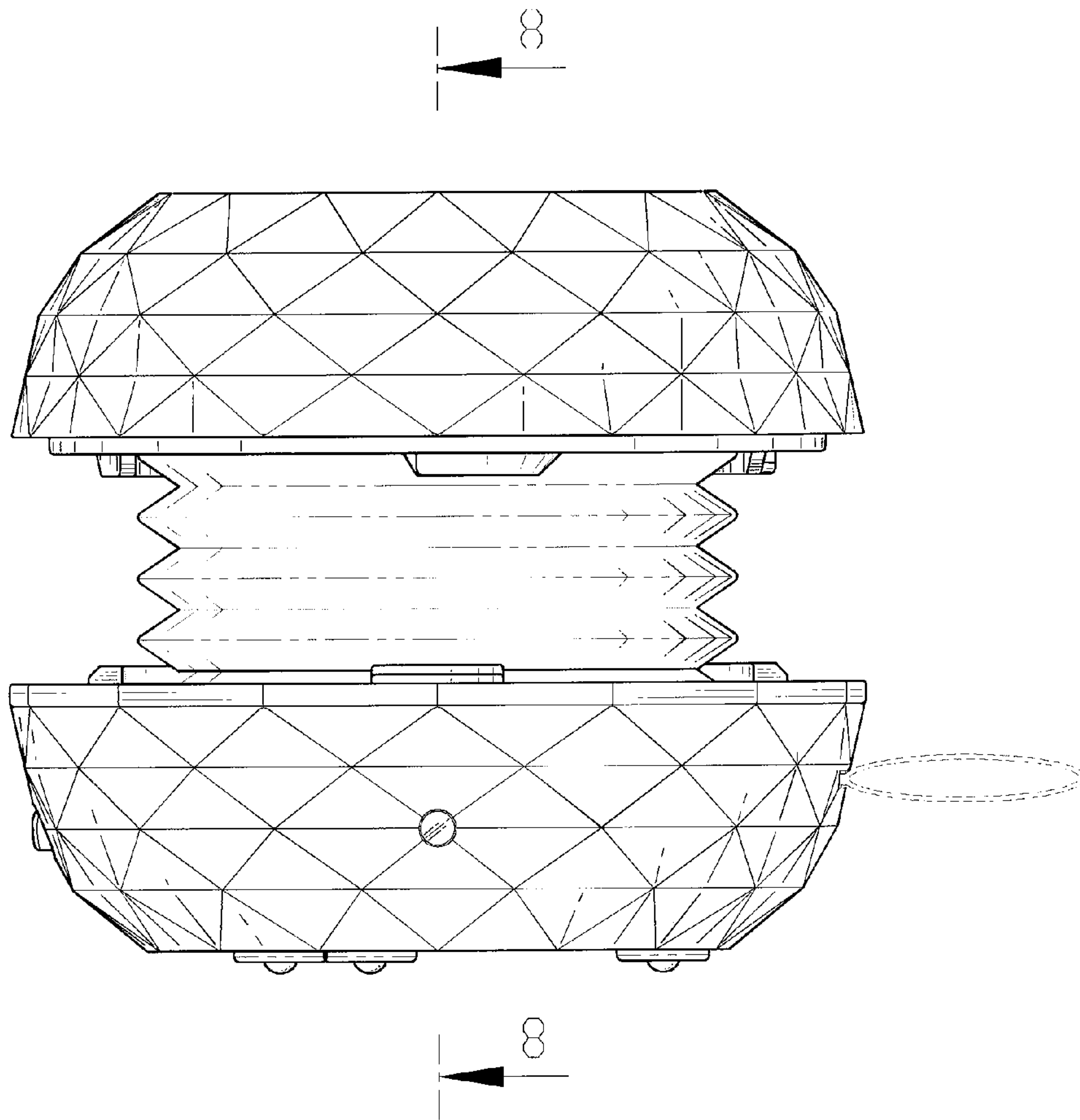


FIG. 2

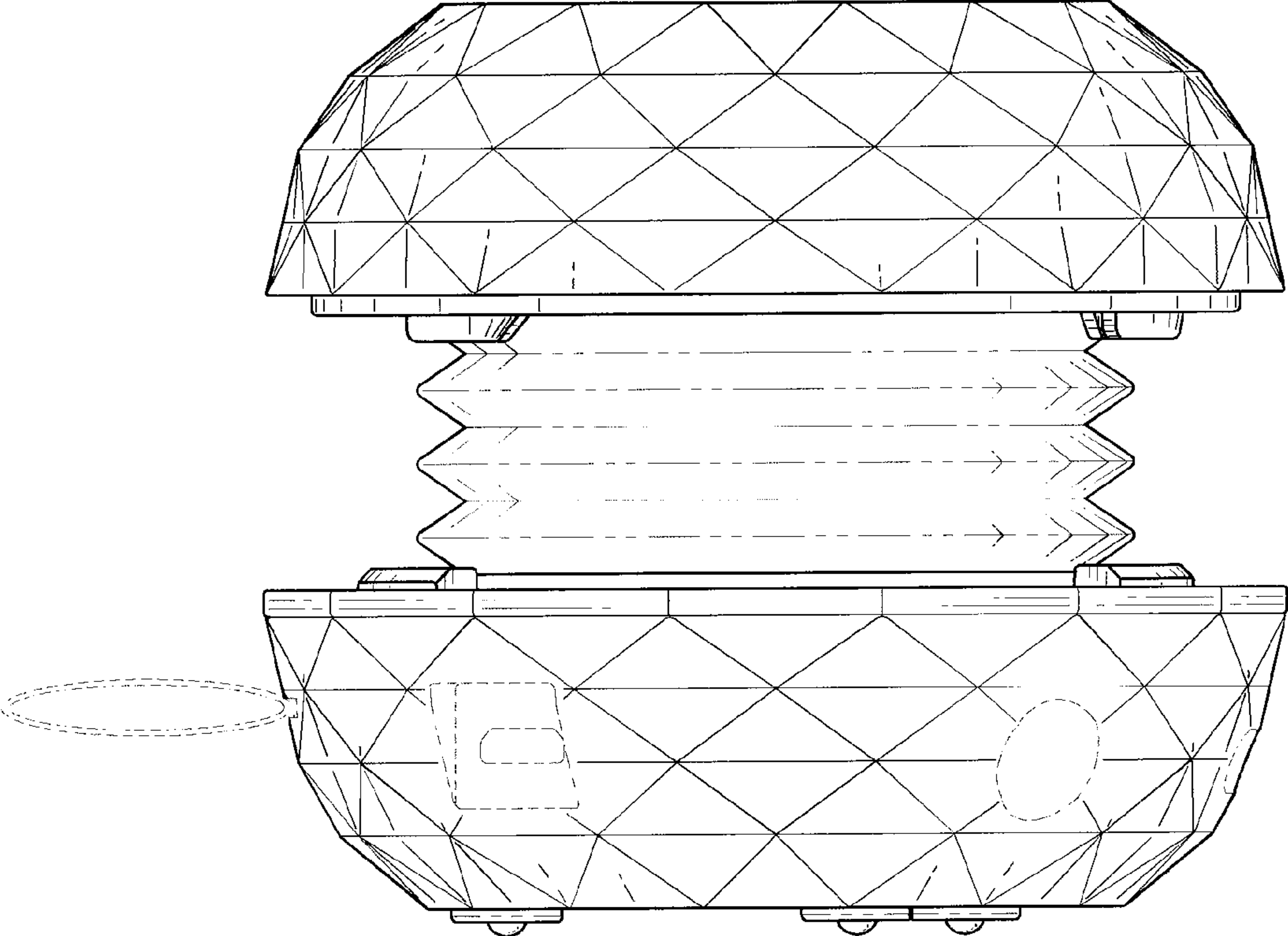


FIG. 3

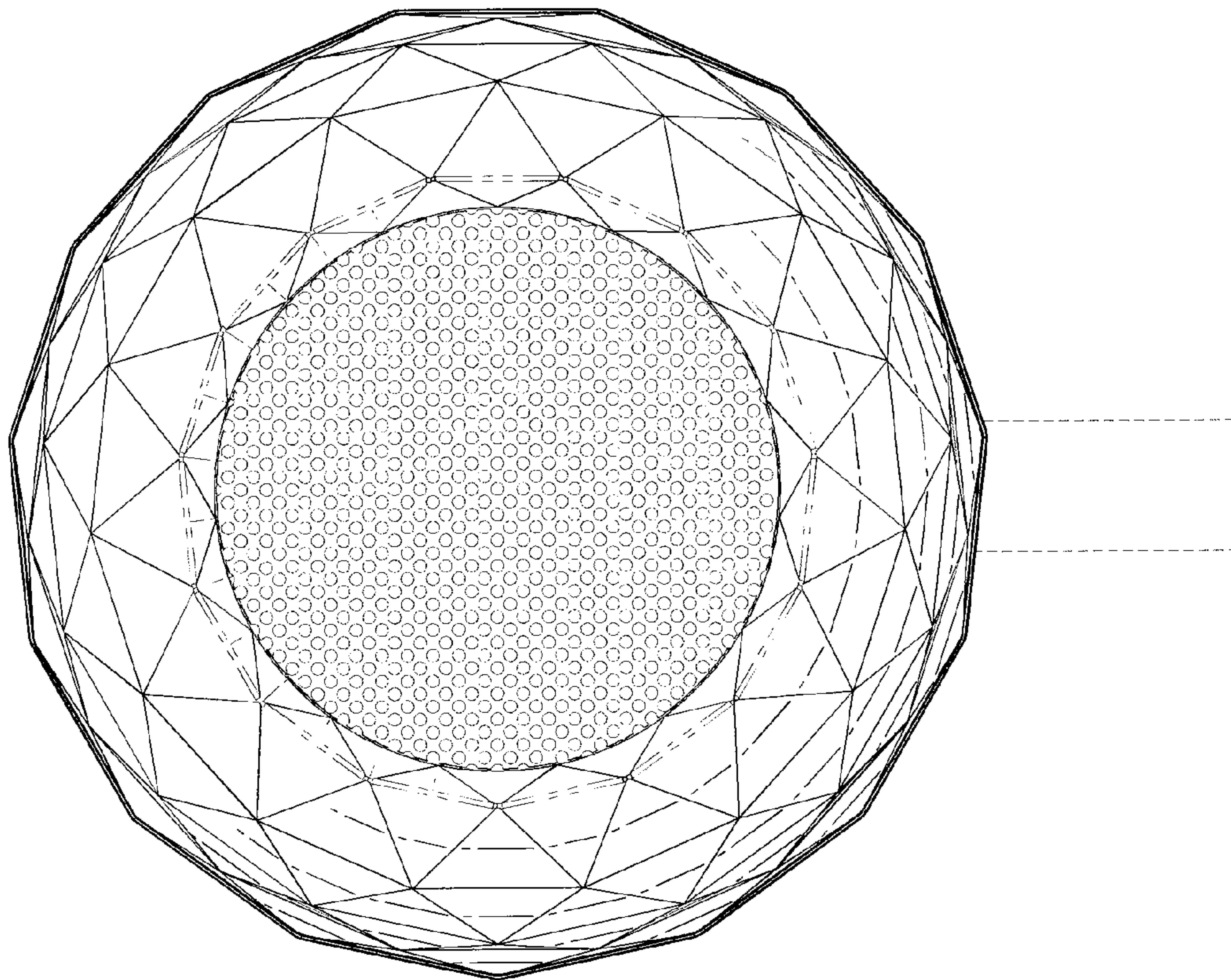


FIG. 4

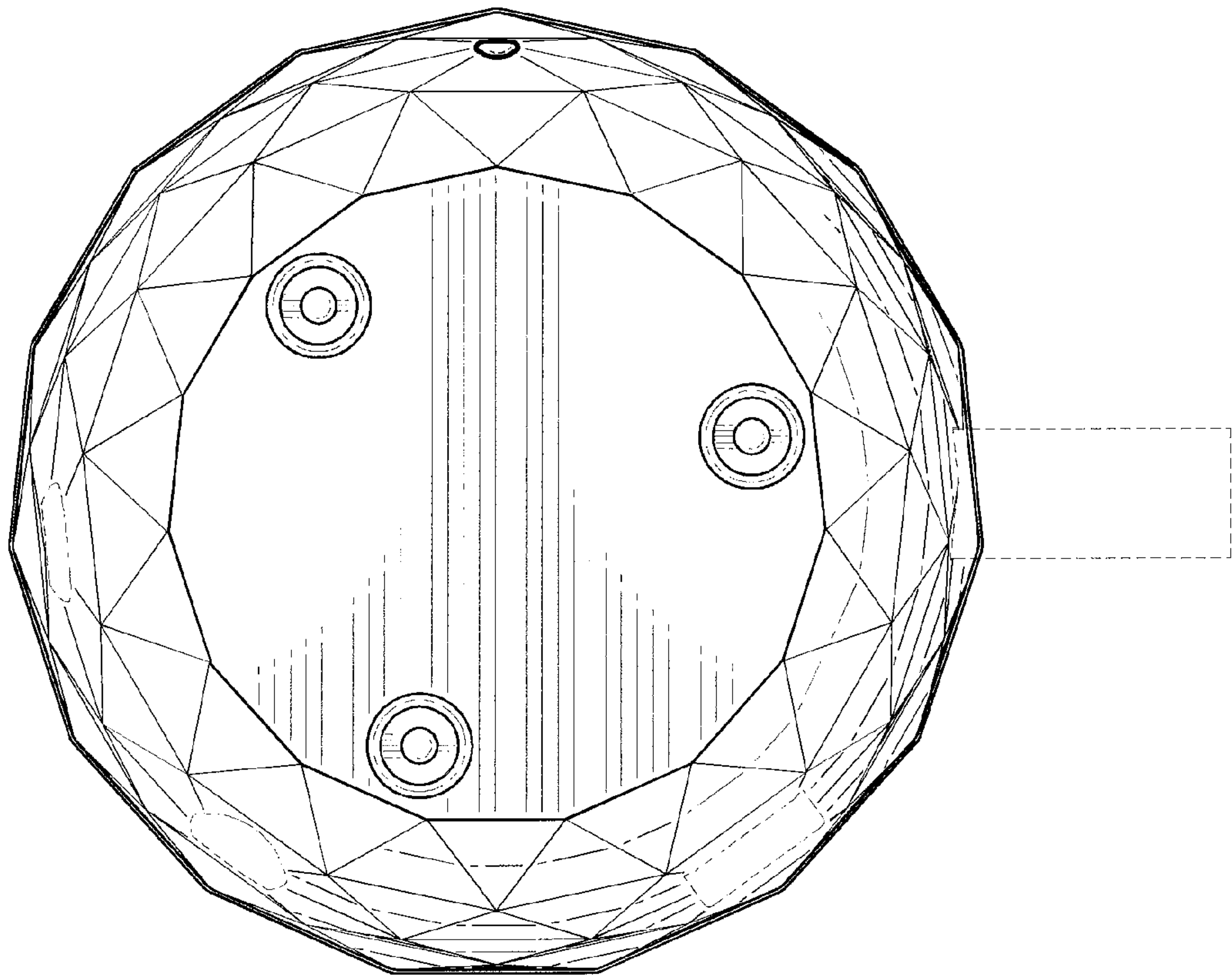


FIG. 5

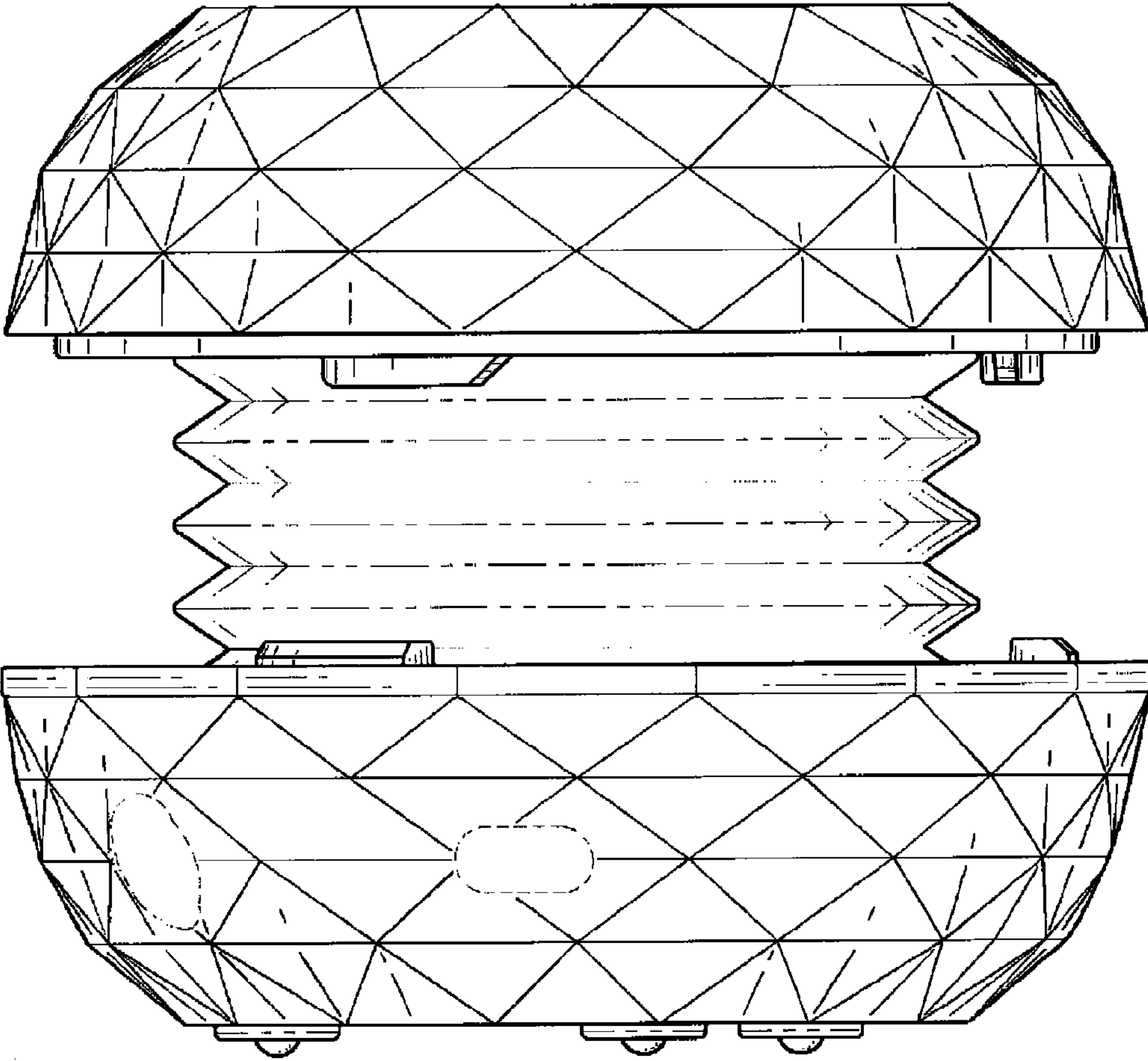


FIG. 6

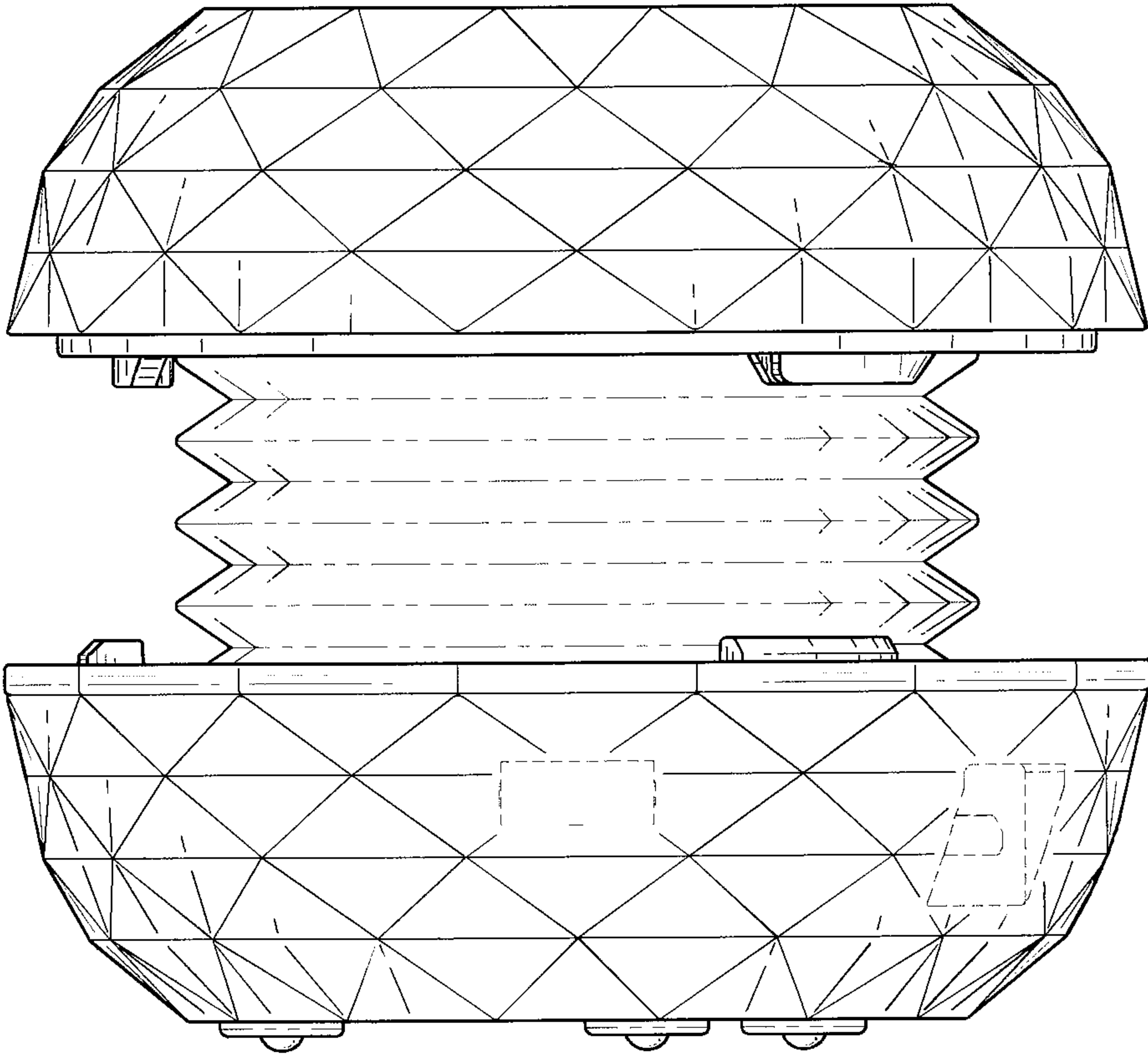


FIG. 7

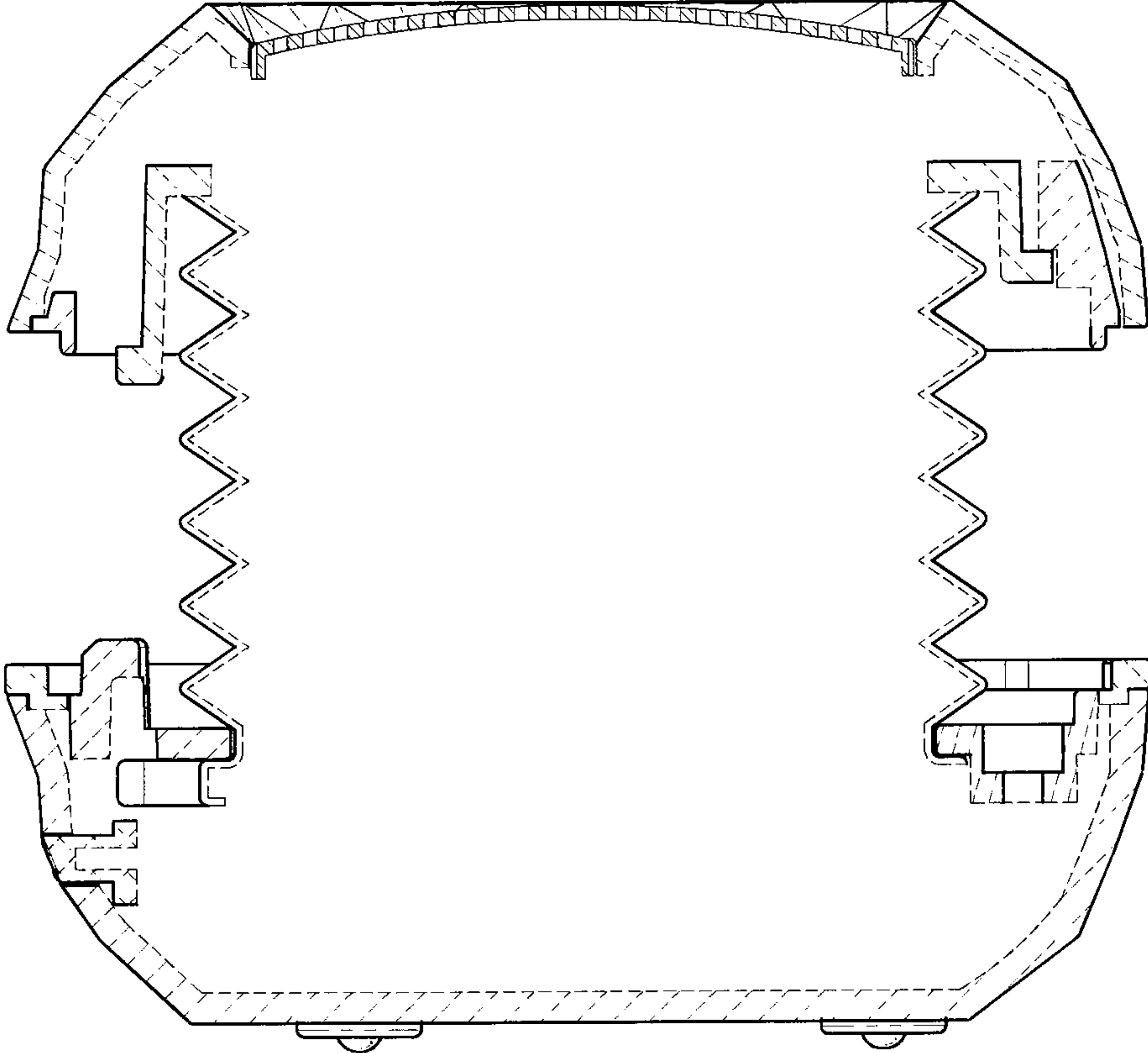


FIG. 8

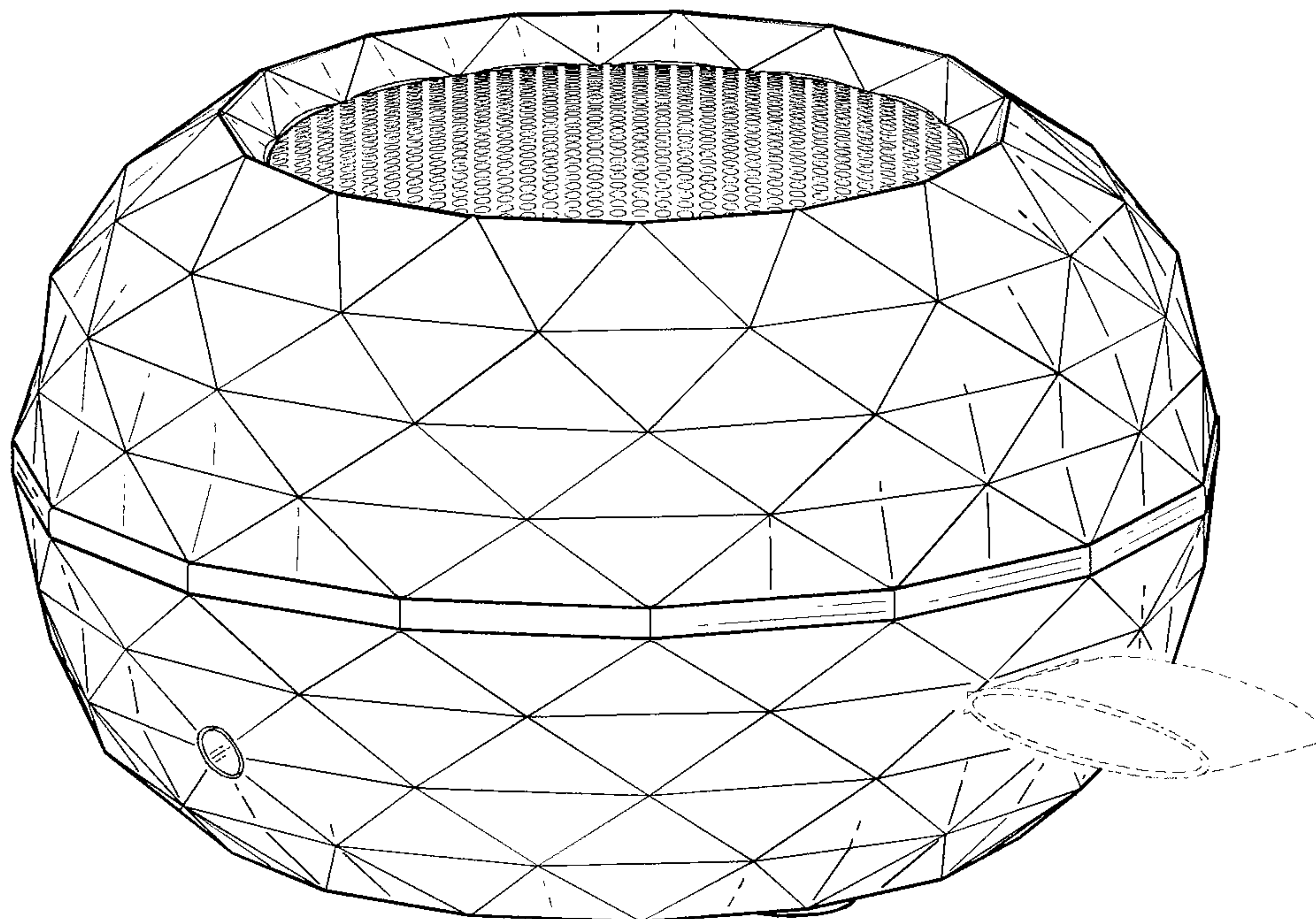


FIG. 9

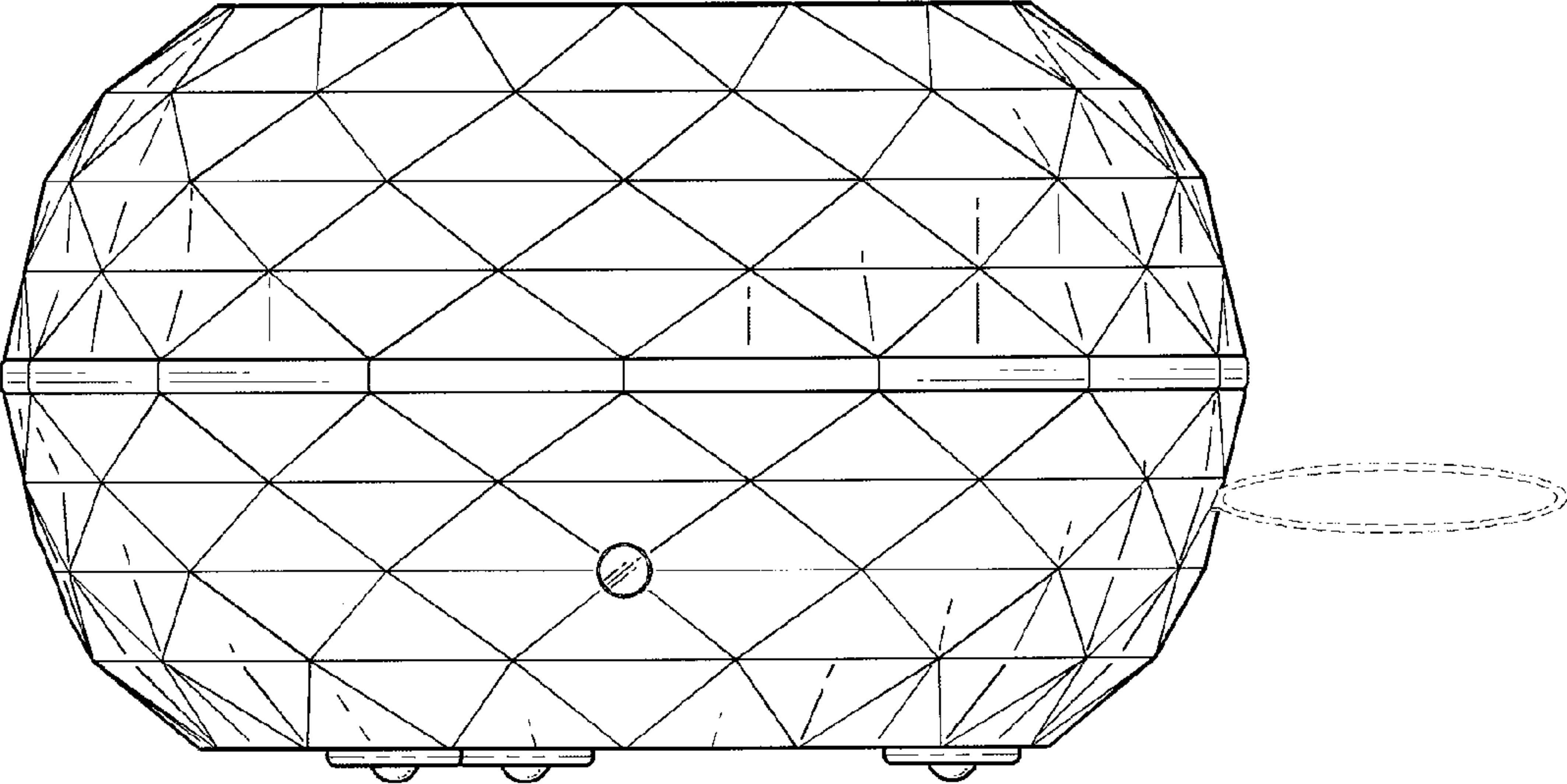


FIG. 10

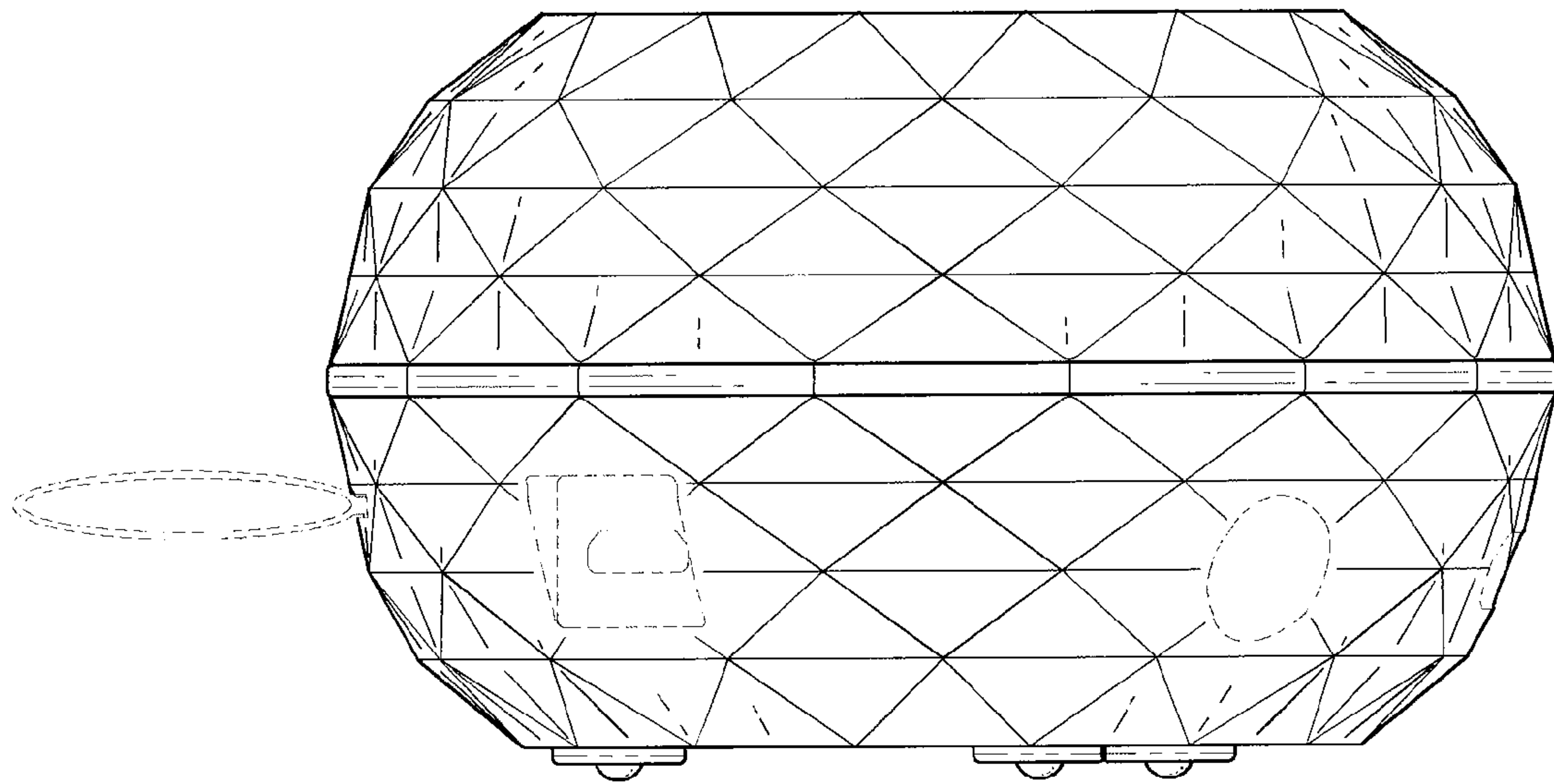


FIG. 11

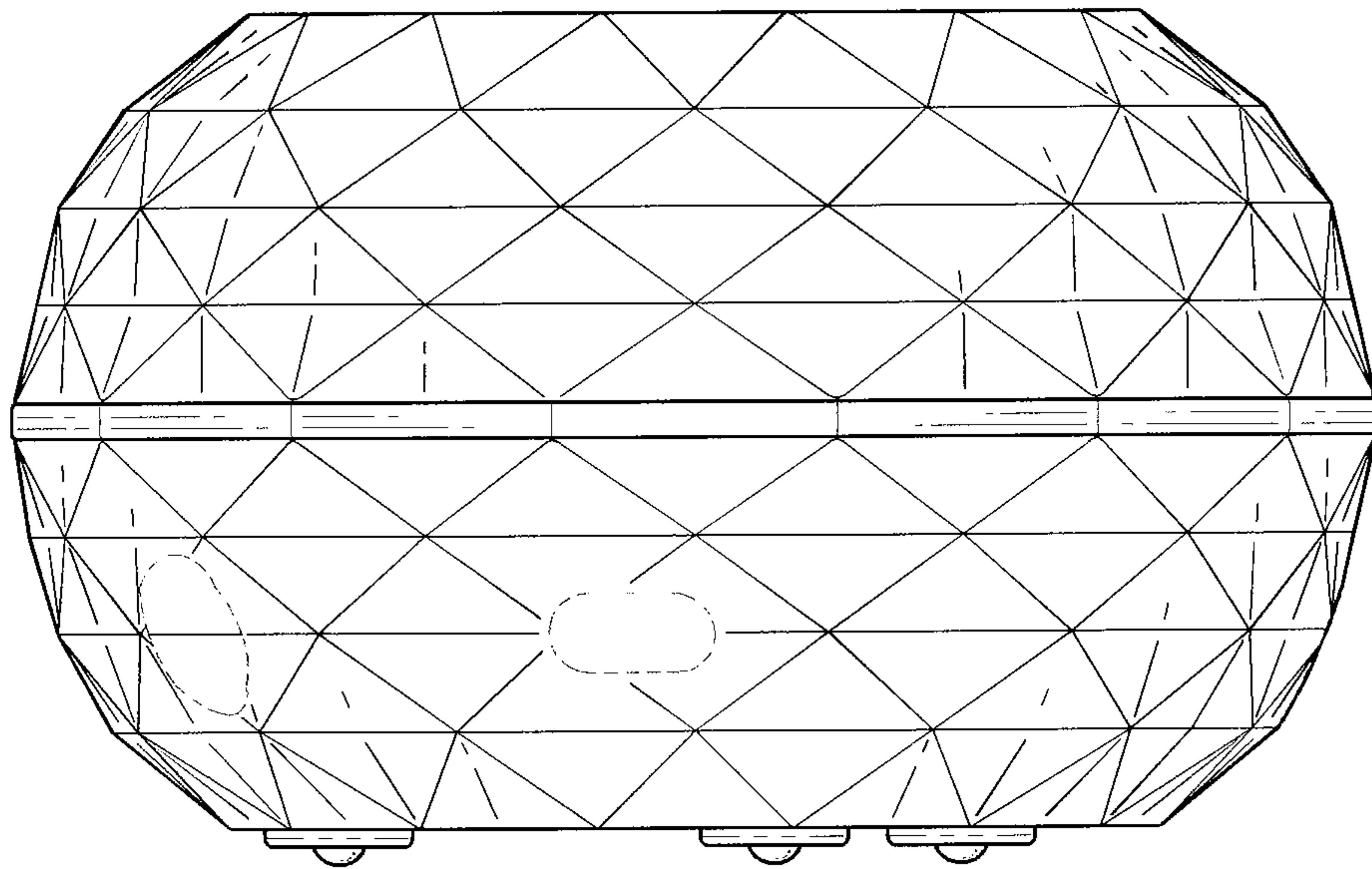


FIG. 12

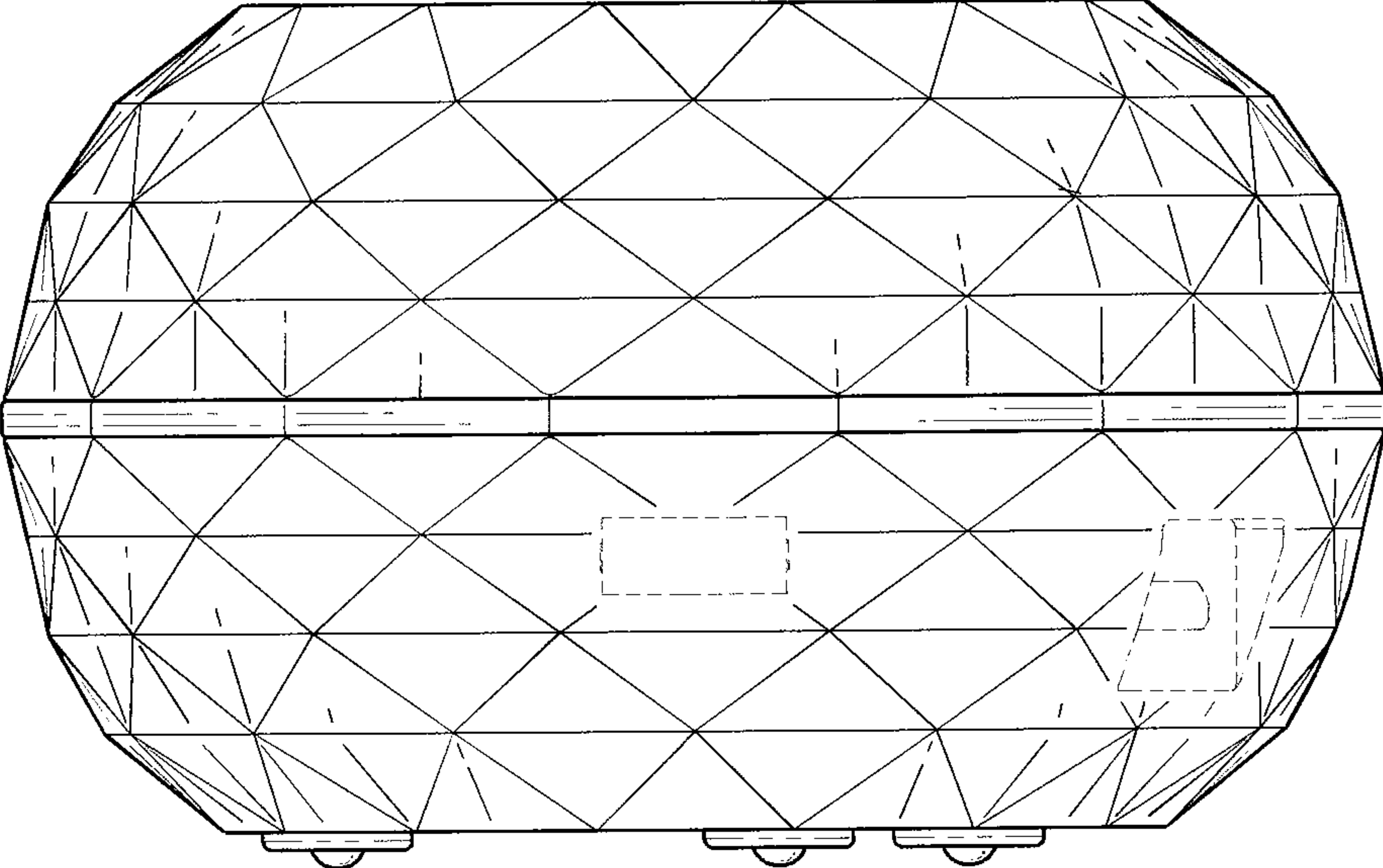


FIG. 13