



US00D720331S

(12) **United States Design Patent**
Eisen

(10) **Patent No.:** **US D720,331 S**

(45) **Date of Patent:** **** Dec. 30, 2014**

(54) **LOUDSPEAKER**

(75) Inventor: **Yagel Eisen**, Jerusalem (IL)

(73) Assignee: **Kramer Electronics Ltd.**, Jerusalem (IL)

(**) Term: **14 Years**

(21) Appl. No.: **29/424,680**

(22) Filed: **Jun. 14, 2012**

(30) **Foreign Application Priority Data**

Jan. 19, 2012 (IL) 52091

(51) **LOC (10) Cl.** **14-01**

(52) **U.S. Cl.**
USPC **D14/215**

(58) **Field of Classification Search**
USPC D13/103; D14/135, 137, 155, 158, 160, D14/161, 168, 181, 188, 191, 193-198, D14/203.6, 204, 209, 209.1, 210, 211, 215, D14/216, 257, 258, 314, 353, 354, 358, 440, D14/441, 498, 509; D26/26, 28, 60-62, 72, D26/73, 93, 94, 97, 118, 124; 181/144, 145, 181/147, 148, 150; 381/300, 361, 363
See application file for complete search history.

(56) **References Cited**

U.S. PATENT DOCUMENTS

D242,150 S *	11/1976	Pearson et al.	D14/216
D321,196 S *	10/1991	Yamamoto	D14/214
D461,465 S *	8/2002	Lytel	D14/214
D467,579 S *	12/2002	Lowell et al.	D14/221
D500,305 S *	12/2004	Lin et al.	D14/215
D647,506 S *	10/2011	Chen	D14/215
D657,350 S *	4/2012	Chen	D14/216

D689,469 S *	9/2013	Chen	D14/221
D695,715 S *	12/2013	Burlingame et al.	D14/217
2013/0287234 A1 *	10/2013	Kramer, Joseph	381/304

* cited by examiner

Primary Examiner — Stella Reid

Assistant Examiner — Janice Lim

(74) *Attorney, Agent, or Firm* — Westman, Champlin & Koehler, P.A.; Z. Peter Sawicki

(57) **CLAIM**

The ornamental design for a loudspeaker, as shown and described.

DESCRIPTION

FIG. 1 is a front perspective view of a loudspeaker, showing my new design.

FIG. 2 is a top perspective view thereof.

FIG. 3 is a front, left side perspective view thereof.

FIG. 4 is a left side perspective view thereof.

FIG. 5 is a top view thereof.

FIG. 6 is a bottom view thereof.

FIG. 7 is a front view and the back view being a mirror image thereof.

FIG. 8 is a left side view and the right side view being a mirror image thereof.

FIG. 9 is a rear left bottom perspective view thereof.

FIG. 10 is a right bottom perspective view thereof.

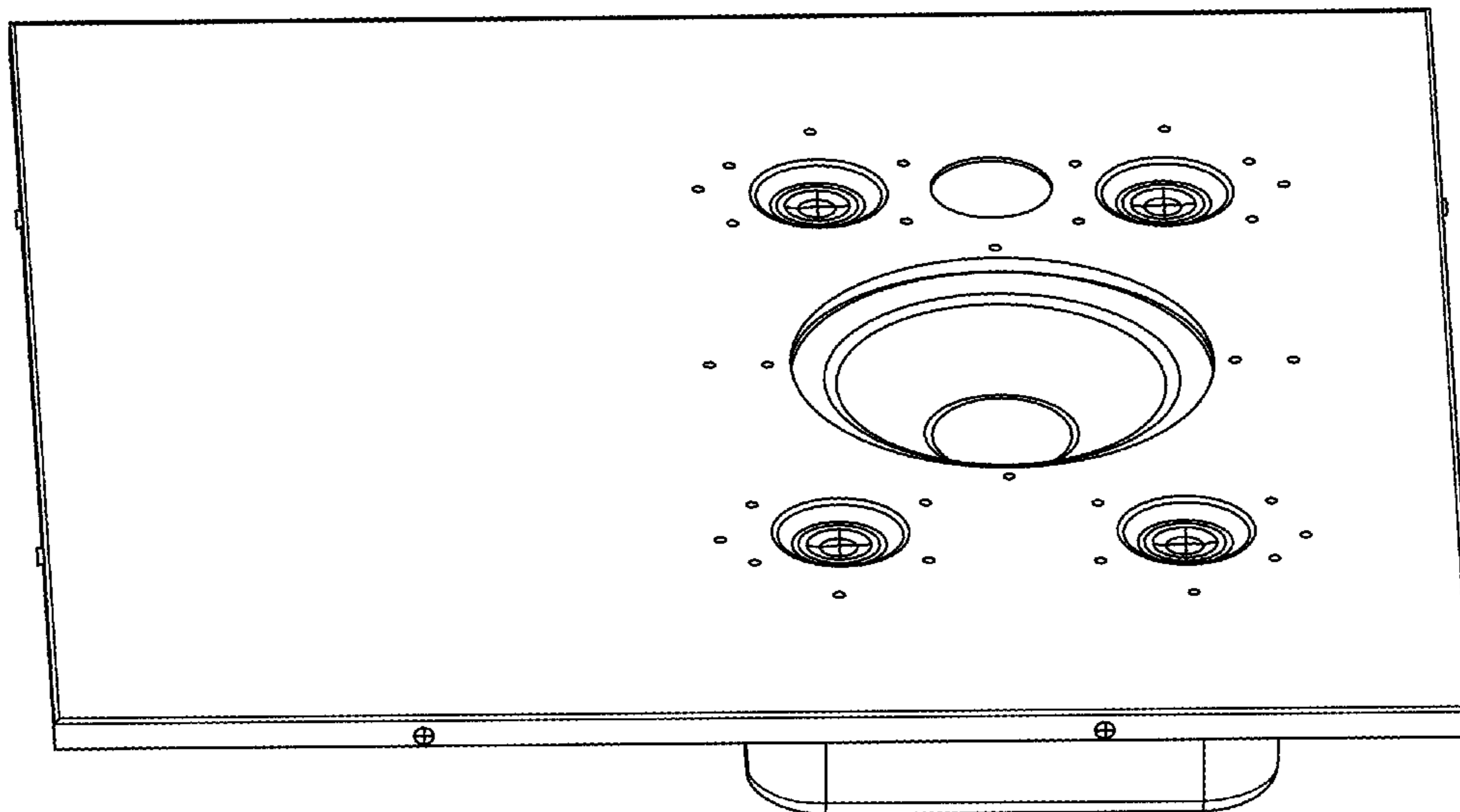
FIG. 11 is a rear, right side perspective view thereof.

FIG. 12 is a rear, bottom, right side perspective view thereof; and,

FIG. 13 is another rear, bottom, right side perspective view thereof.

The broken line portions of FIGS. 1-3, 6, and 9-13 are included to show unclaimed subject matter only and form no part of the claimed design.

1 Claim, 13 Drawing Sheets



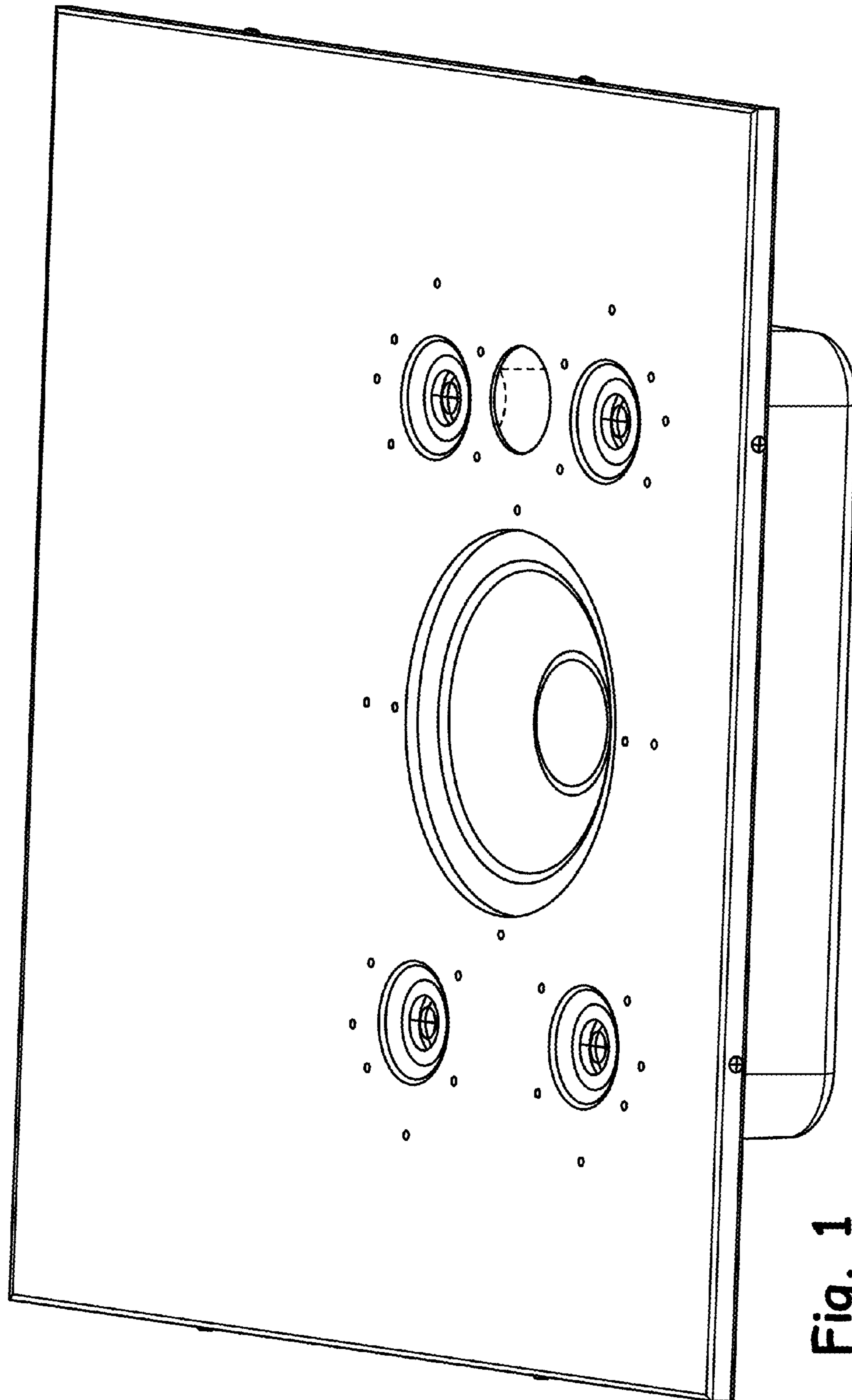


Fig. 1

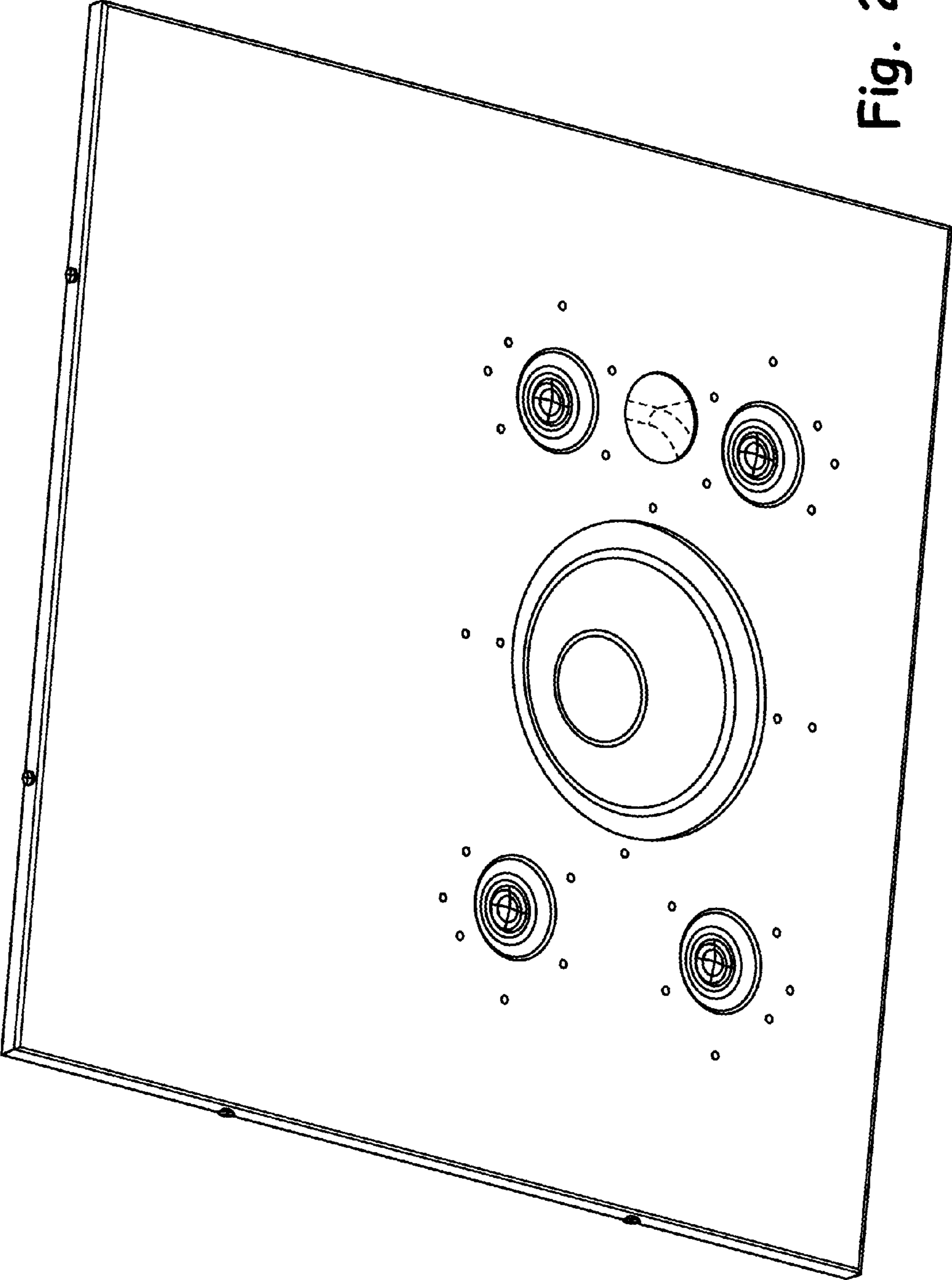


Fig. 2

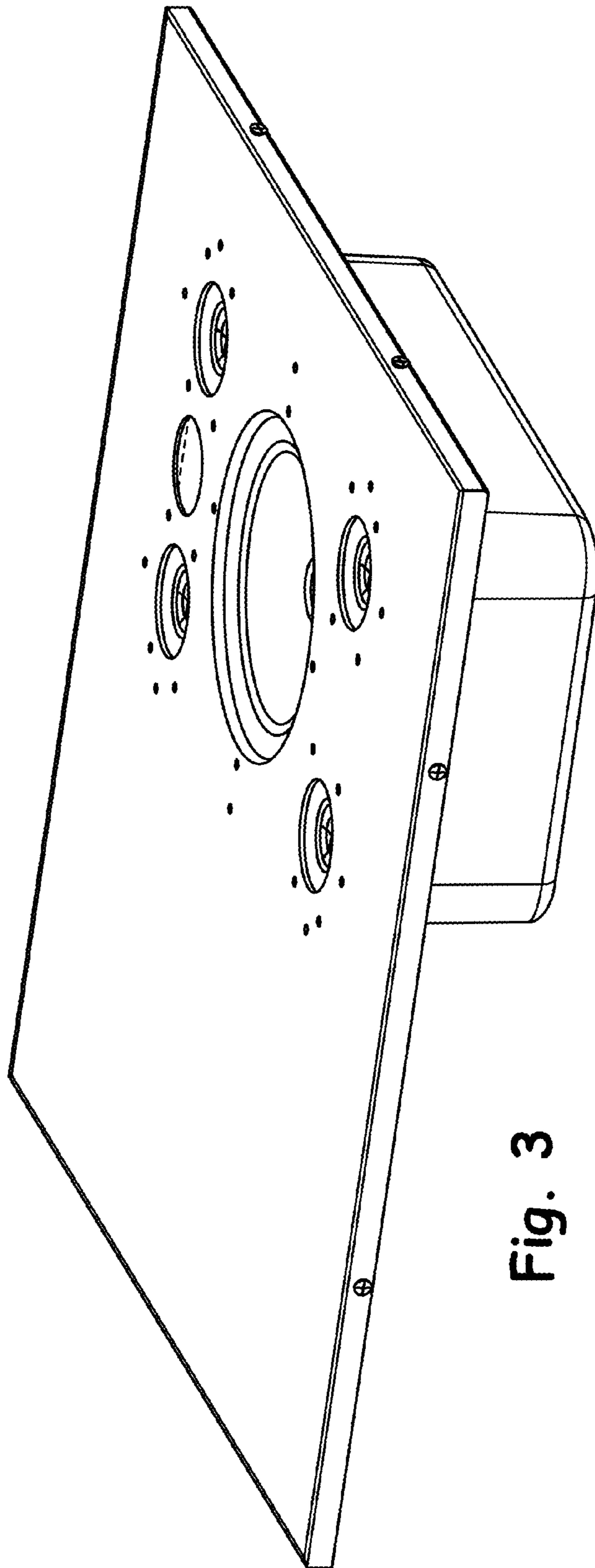


Fig. 3

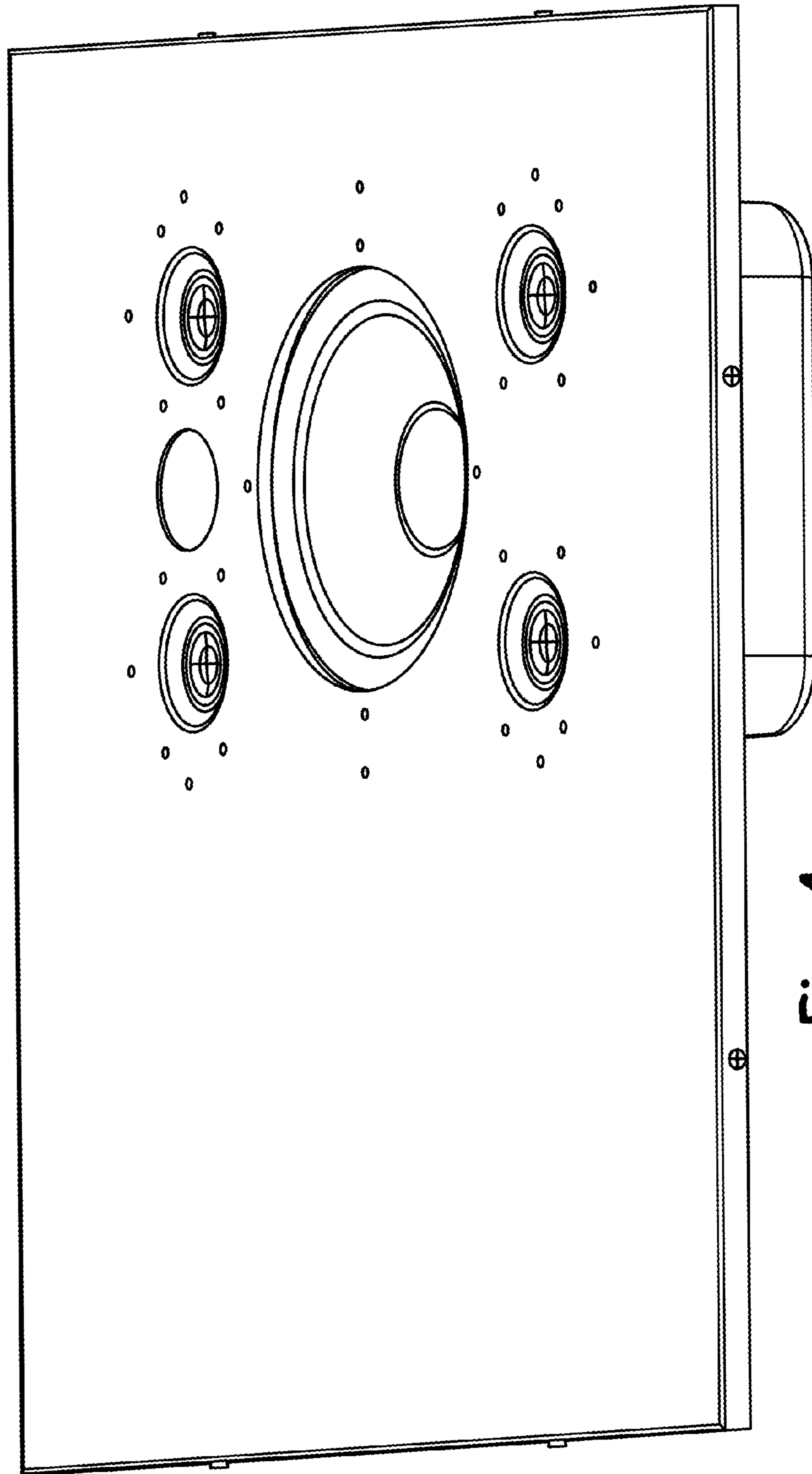


Fig. 4

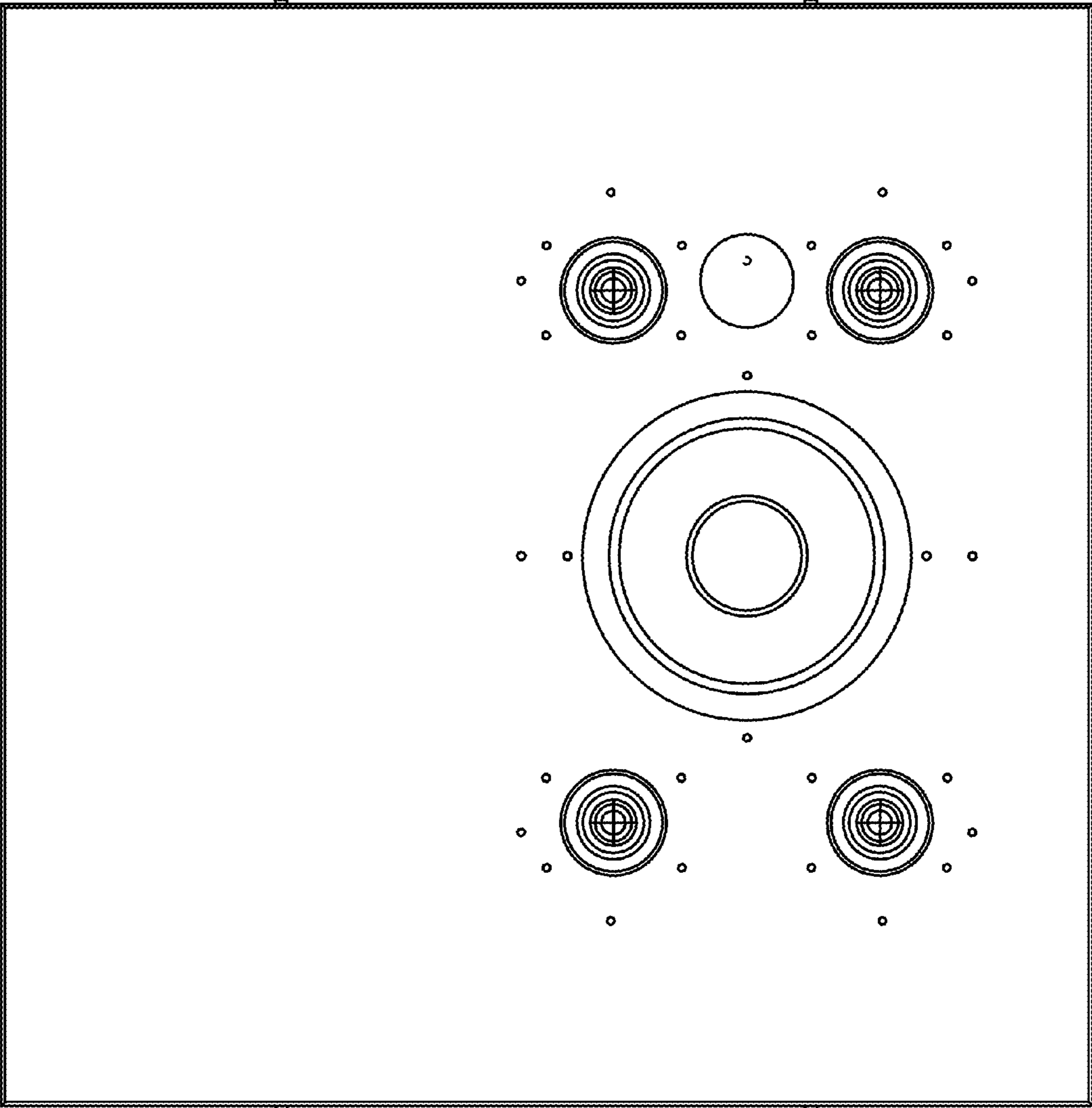


Fig. 5

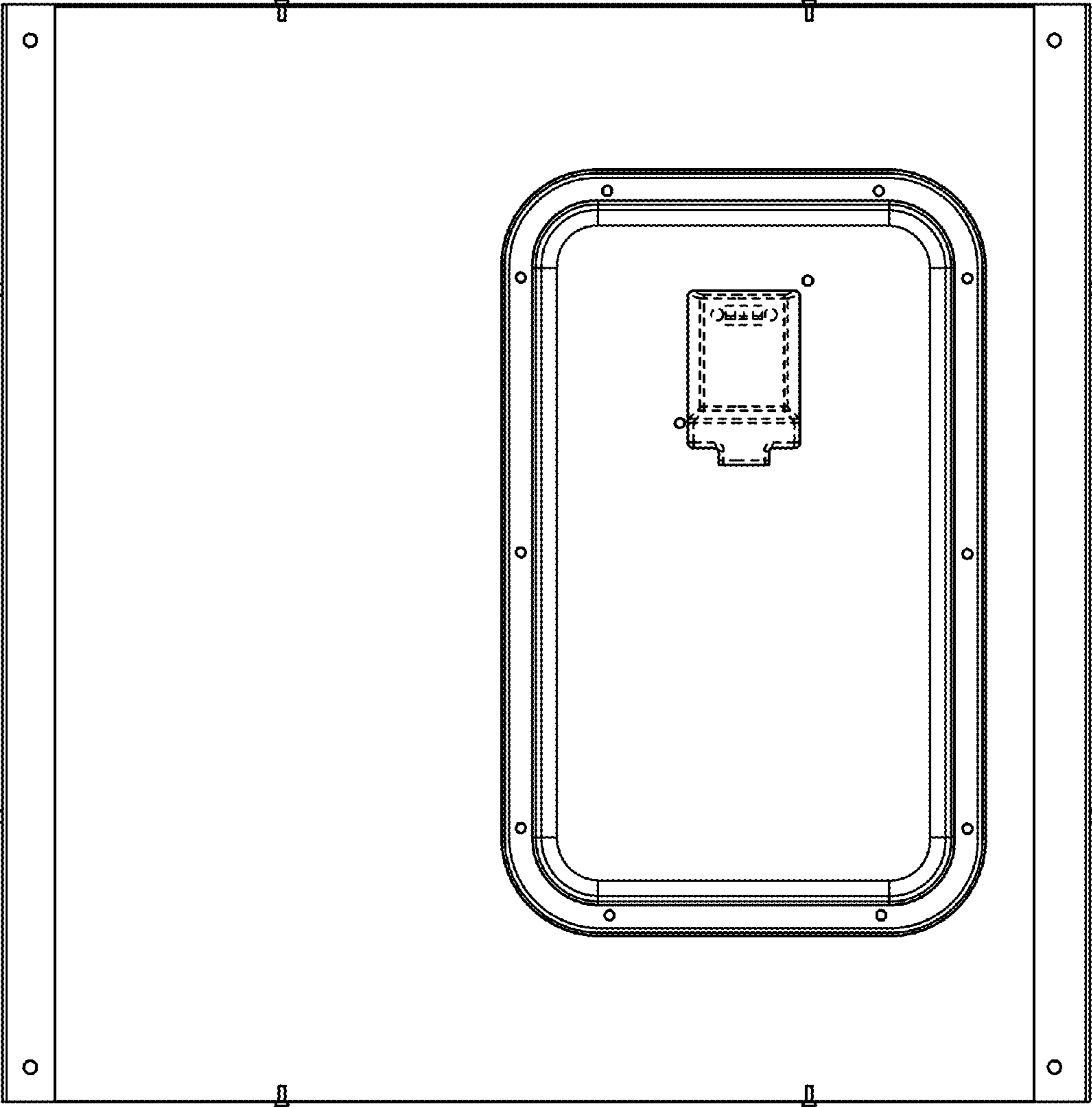


Fig. 6

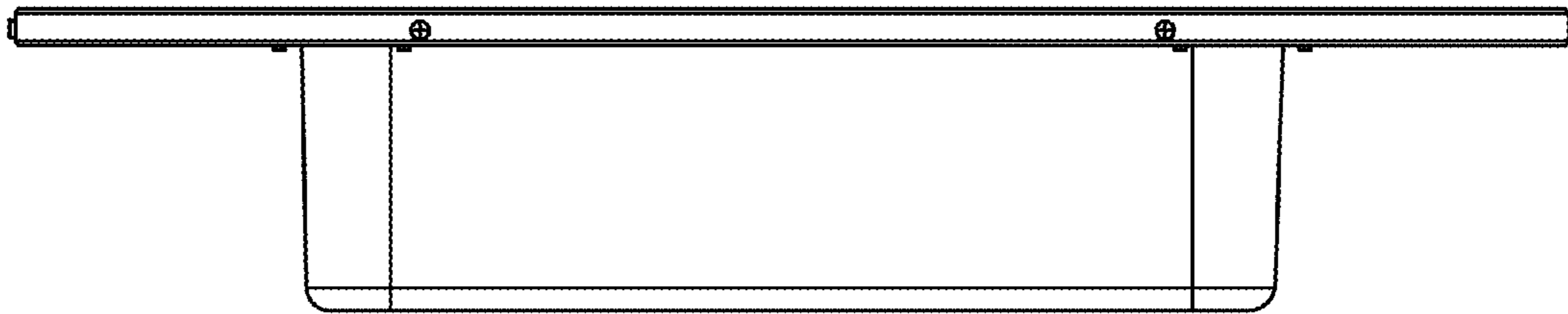


Fig. 7

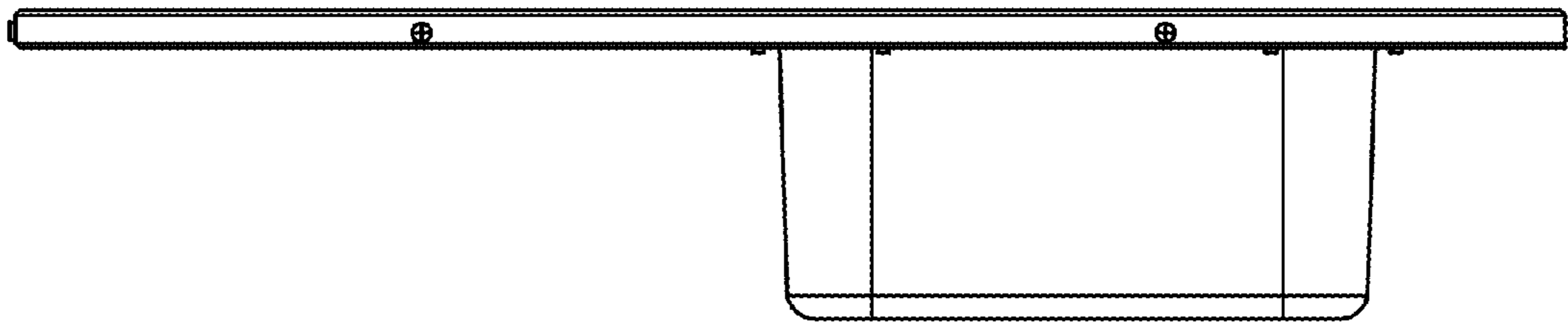


Fig. 8

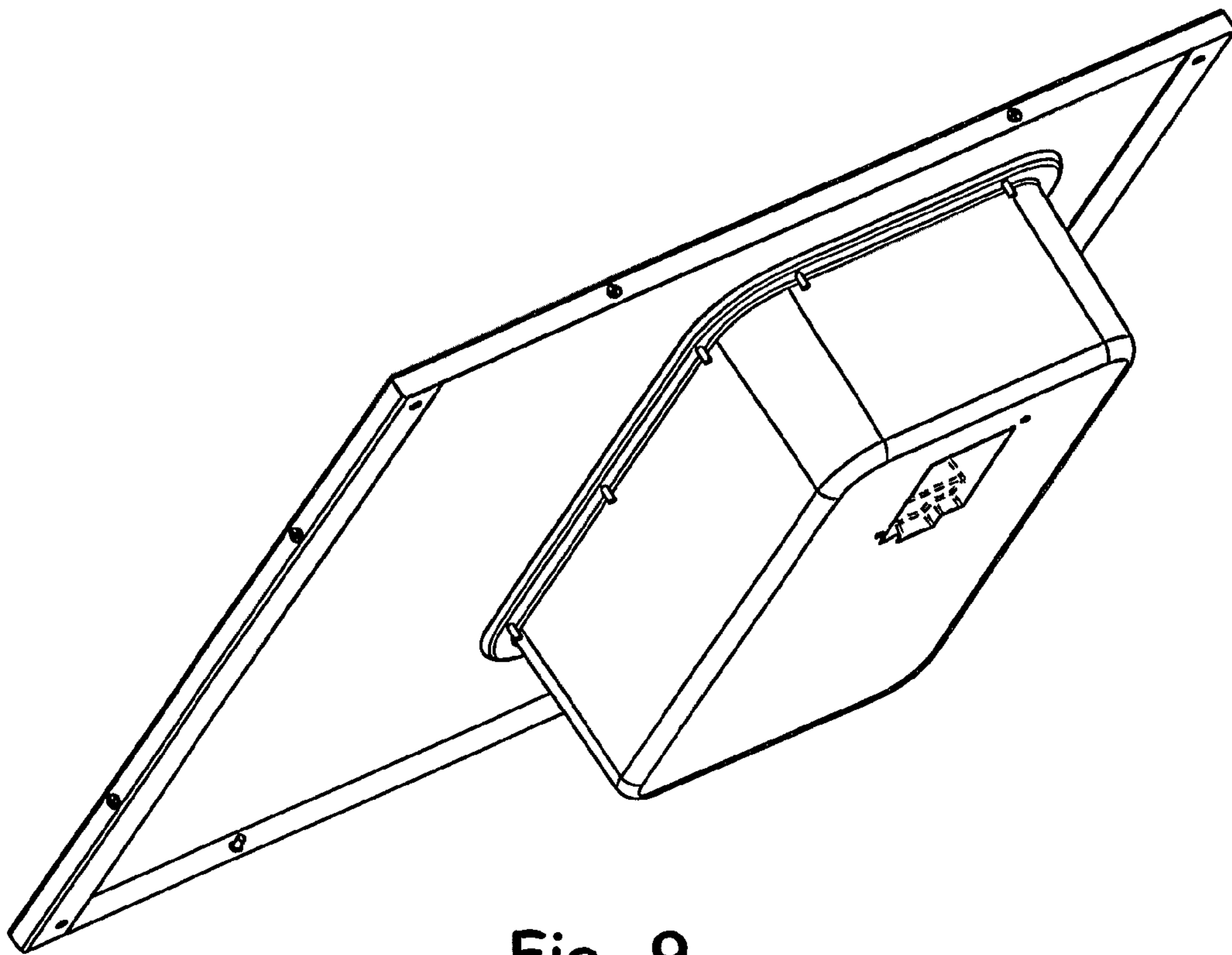


Fig. 9

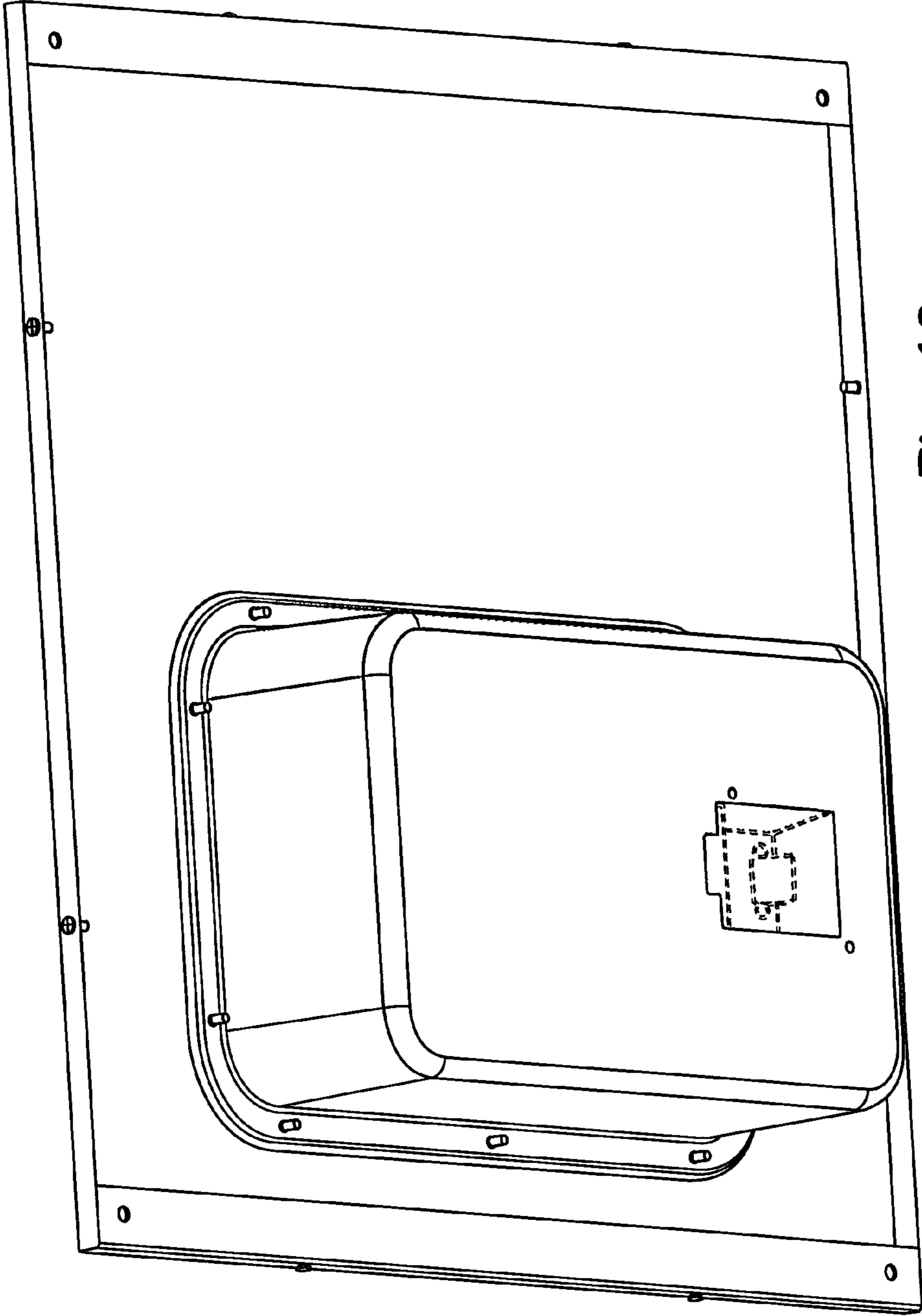


Fig. 10

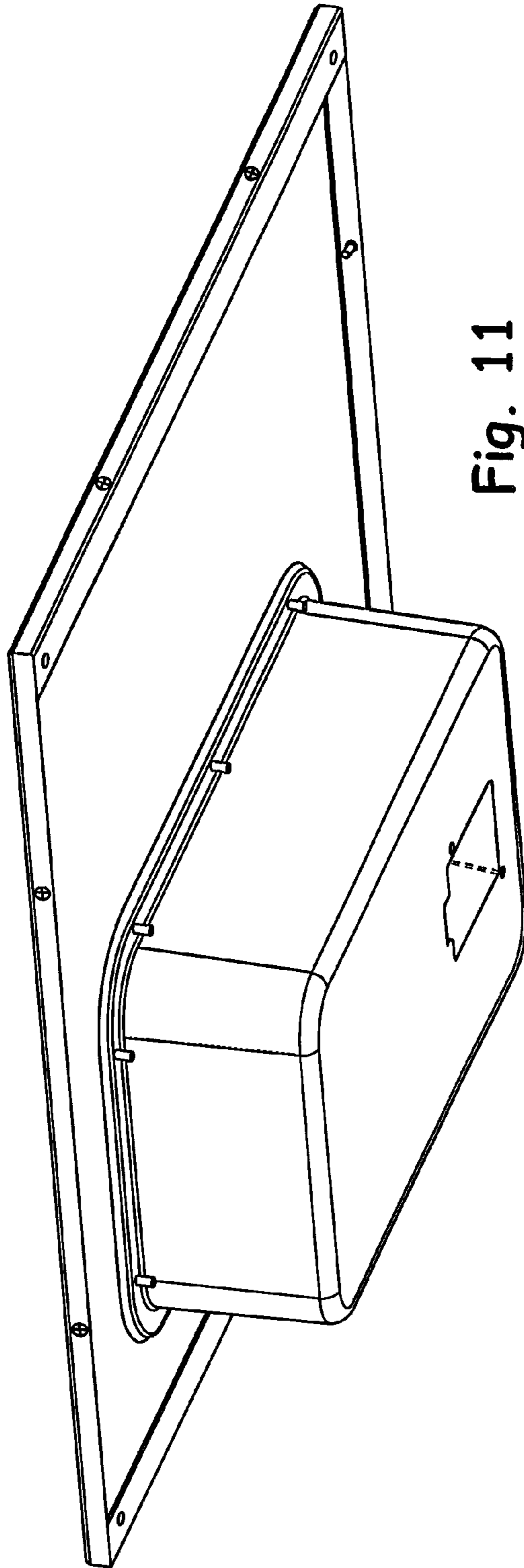


Fig. 11

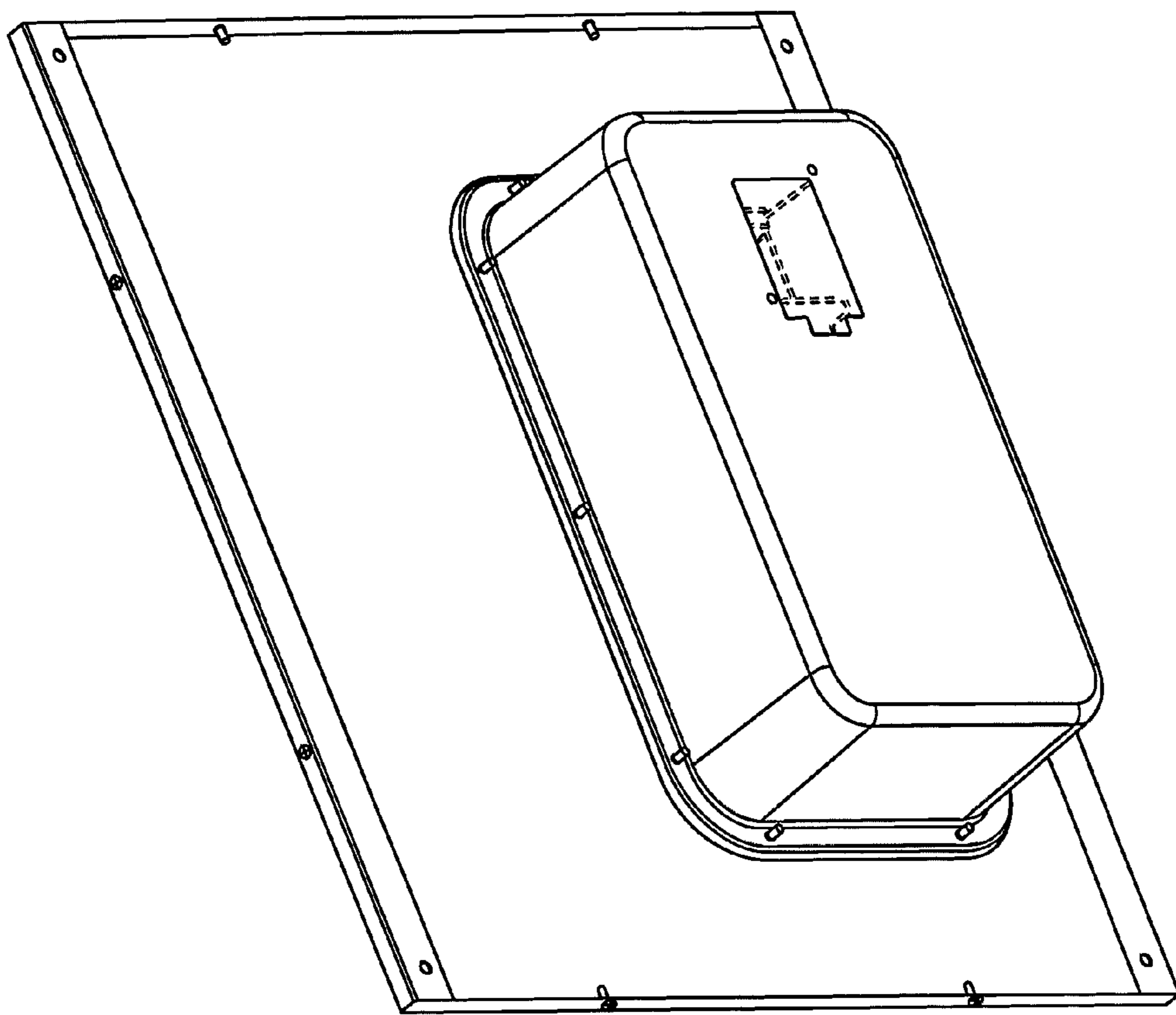


Fig. 12

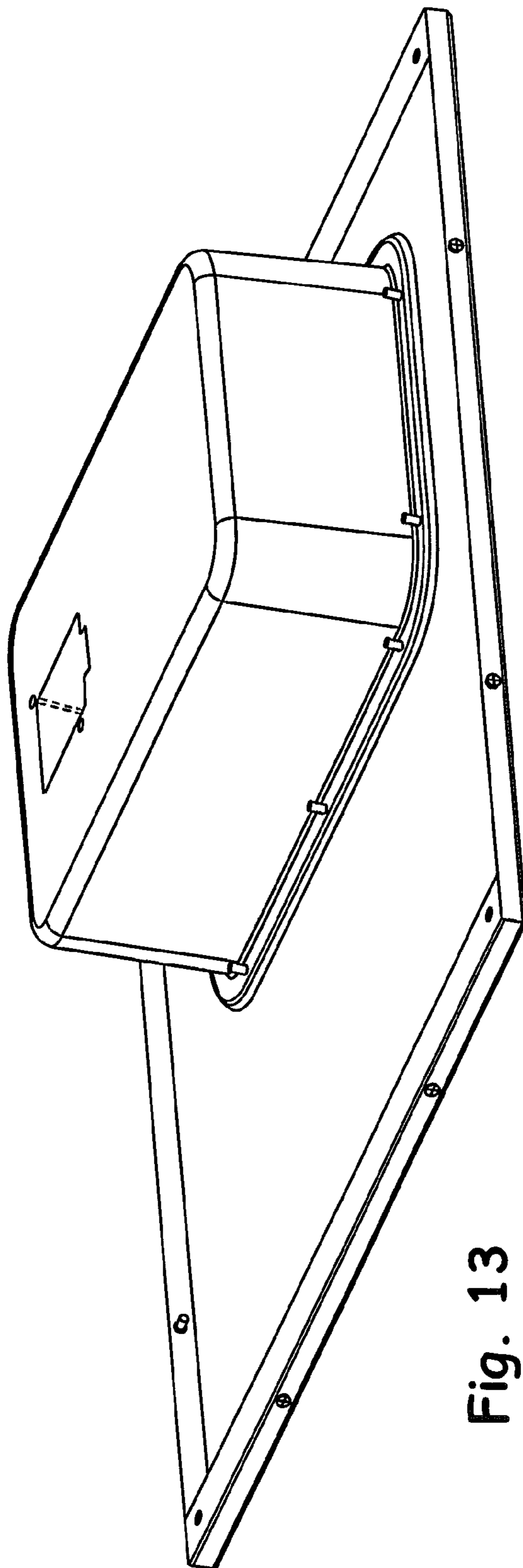


Fig. 13