



US00D720324S

(12) **United States Design Patent**
Wang et al.

(10) **Patent No.:** **US D720,324 S**
(45) **Date of Patent:** **** Dec. 30, 2014**

- (54) **HANDSET**
- (71) Applicant: **Nokia Corporation**, Espoo (FI)
- (72) Inventors: **Jing Wang**, Beijing (CN); **Wang Wei**, Beijing (CN)
- (73) Assignee: **Nokia Corporation**, Espoo (FI)
- (**) Term: **14 Years**
- (21) Appl. No.: **29/465,742**
- (22) Filed: **Aug. 30, 2013**
- (51) **LOC (10) Cl.** **14-03**
- (52) **U.S. Cl.**
USPC **D14/138 G**
- (58) **Field of Classification Search**
CPC H04M 1/02; H04M 1/0202-1/035;
H04M 1/0235; H04M 1/0237; H04M 1/0239;
H04M 2250/22; H04M 1/03; H04M 1/23;
H04M 1/72519; G06F 1/1626
USPC D14/138 G, 138 AD, 138 R, 496, 203.1,
D14/203.3, 203.5, 203.7, 248, 218, 341,
D14/138 AC; 455/575.1, 556.1, 556.2,
455/575.3, 575.4, 566; D21/517, 329, 331;
379/433.01, 433.04; D13/168;
361/679.3, 679.56; D10/65, 78
See application file for complete search history.

- (56) **References Cited**
U.S. PATENT DOCUMENTS
D562,285 S * 2/2008 Lim D14/138 G
D565,596 S * 4/2008 Kim D14/496
D572,694 S * 7/2008 Park D14/138 G
D583,342 S * 12/2008 Kim et al. D14/138 G
D583,346 S * 12/2008 Jung et al. D14/138 AD
D584,711 S * 1/2009 Kim et al. D14/138 G
D589,021 S * 3/2009 Millora D14/138 AD

- D594,833 S * 6/2009 Park D14/138 G
- D607,858 S * 1/2010 Millora D14/138 AD
- D625,296 S * 10/2010 Chiu D14/218
- D631,458 S * 1/2011 Liao et al. D14/138 G
- D639,277 S * 6/2011 Alvarado D14/218
- D650,382 S * 12/2011 Huang D14/341
- D652,007 S * 1/2012 Kim et al. D14/138 G
- D652,403 S * 1/2012 Fahlgren et al. D14/138 G
- D653,640 S * 2/2012 Kwon et al. D14/138 G
- D654,464 S * 2/2012 Han D14/138 G
- D659,114 S * 5/2012 Rayn D14/203.7
- D660,269 S * 5/2012 Zhang et al. D14/138 G
- D665,372 S * 8/2012 Park et al. D14/138 G
- D665,766 S * 8/2012 Eguchi D14/138 G
- D668,238 S * 10/2012 Kim D14/138 G
- 8,280,447 B2 * 10/2012 Kwon et al. 455/566

(Continued)

OTHER PUBLICATIONS

Nokia Asha 503 Dual SIM telephone, announced Oct. 2013, [online], [site visited Sep. 25, 2014]. Available from Internet, <URL: http://www.gsmarena.com/nokia_asha_503_dual_sim-5796.php>.*

(Continued)

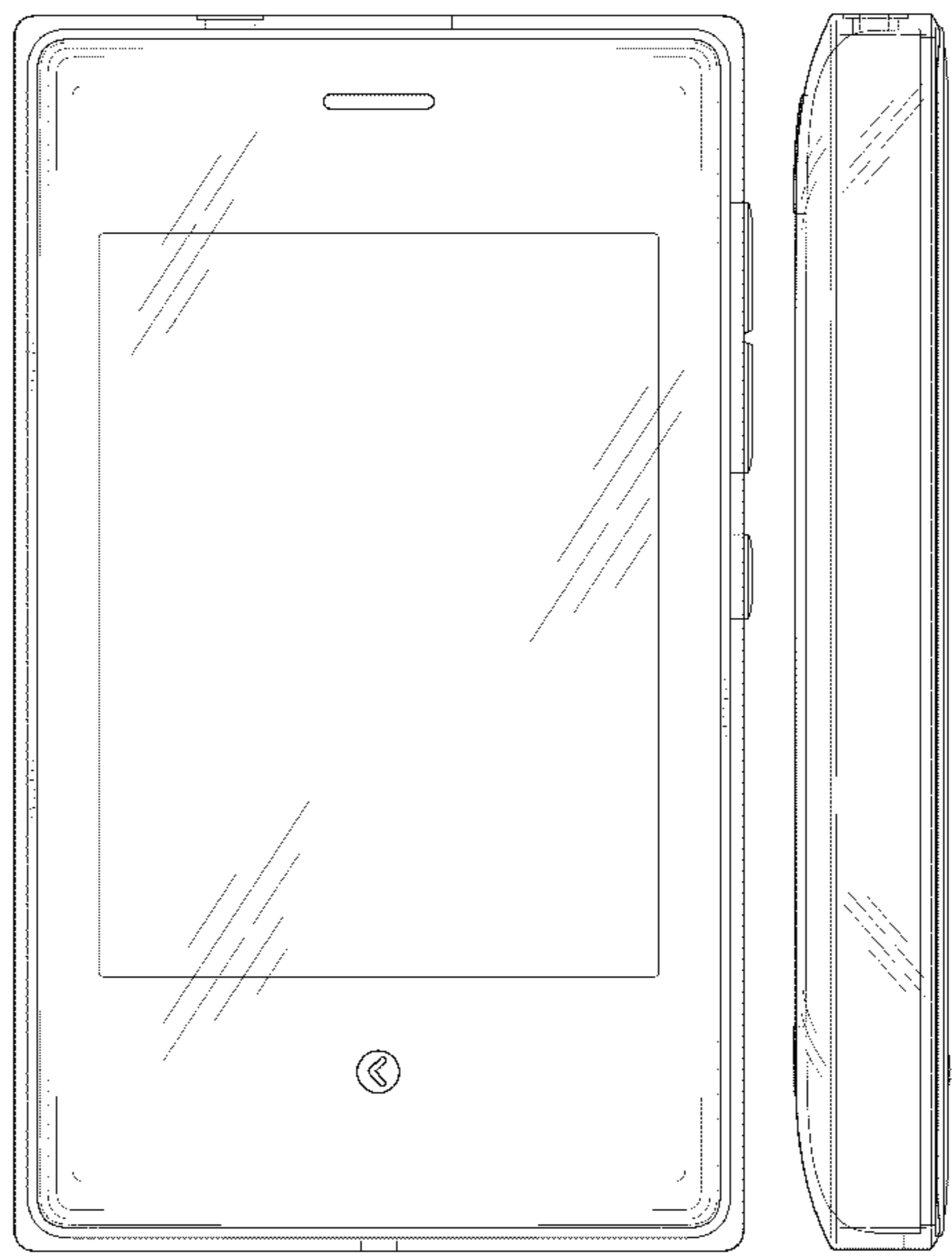
Primary Examiner — Jeffrey D Asch
(74) *Attorney, Agent, or Firm* — Banner & Witcoff, Ltd.

(57) **CLAIM**
The ornamental design for a handset, as shown and described.

DESCRIPTION

FIG. 1 is a perspective front view of a handset showing our new design;
FIG. 2 is a front view thereof;
FIG. 3 is a rear view thereof;
FIG. 4 is a right side view thereof;
FIG. 5 is a left side view thereof;
FIG. 6 is a top view thereof; and,
FIG. 7 is a bottom view thereof.

1 Claim, 5 Drawing Sheets



(56)

References Cited

U.S. PATENT DOCUMENTS

D673,132	S	*	12/2012	Cho	D14/138	G
D675,589	S	*	2/2013	Han et al.	D14/138	G
D676,011	S	*	2/2013	Park et al.	D14/138	G
D677,236	S	*	3/2013	Kim et al.	D14/138	G
D680,092	S	*	4/2013	Tsai et al.	D14/138	G
D681,056	S	*	4/2013	Akana et al.	D14/496	
D689,840	S	*	9/2013	Lu	D14/138	G
D693,324	S	*	11/2013	Wang	D14/138	G
D695,702	S	*	12/2013	Kim	D14/138	G
8,716,598	B2	*	5/2014	Pan	174/50	
D707,650	S	*	6/2014	Min et al.	D14/138	G
8,787,985	B2	*	7/2014	Seo	455/566	
D713,370	S	*	9/2014	Cha et al.	D14/138	G
D713,371	S	*	9/2014	Daniel	D14/138	G
2013/0281025	A1	*	10/2013	Reunamaki et al.	455/67.11	

OTHER PUBLICATIONS

Nokia Asha 503 telephone, announced Oct. 2013, [online], [site visited Sep. 25, 2014]. Available from Internet, <URL: http://www.gsmarena.com/nokia_asha_503-5794.php>.*

Nokia Asha 500 telephone, announced Oct. 2013, [online], [site visited Sep. 25, 2014]. Available from Internet, <URL: http://www.gsmarena.com/nokia_asha_500-5792.php>.*

Nokia Asha 502 Dual SIM telephone, announced Oct. 2013, [online], [site visited Sep. 25, 2014]. Available from Internet, <URL: http://www.gsmarena.com/nokia_asha_502_dual_sim-5795.php>.*

Nokia X+ telephone, announced Feb. 2014, [online], [site visited Sep. 25, 2014]. Available from Internet, <URL: http://www.gsmarena.com/nokia_x+-6147.php>.*

Acer Liquid Z500 telephone, announced Sep. 2014, [online], [site visited Sep. 25, 2014]. Available from Internet, <URL: http://www.gsmarena.com/acer_liquid_z500-6635.php>.*

Nokia Asha 501 telephone, announced May 2013, [online], [site visited Sep. 25, 2014]. Available from Internet, <URL: http://www.gsmarena.com/nokia_asha_501-5445.php>.*

Nokia X2 Dual SIM telephone, announced Jun. 2014, [online], [site visited Sep. 25, 2014]. Available from Internet, <URL: http://www.gsmarena.com/nokia_x2_dual_sim-6383.php>.*

Alcatel One Touch Fire telephone, announced Feb. 2013, [online], [site visited Sep. 25, 2014]. Available from Internet, <URL: http://www.gsmarena.com/alcatel_one_touch_fire-5319.php>.*

* cited by examiner

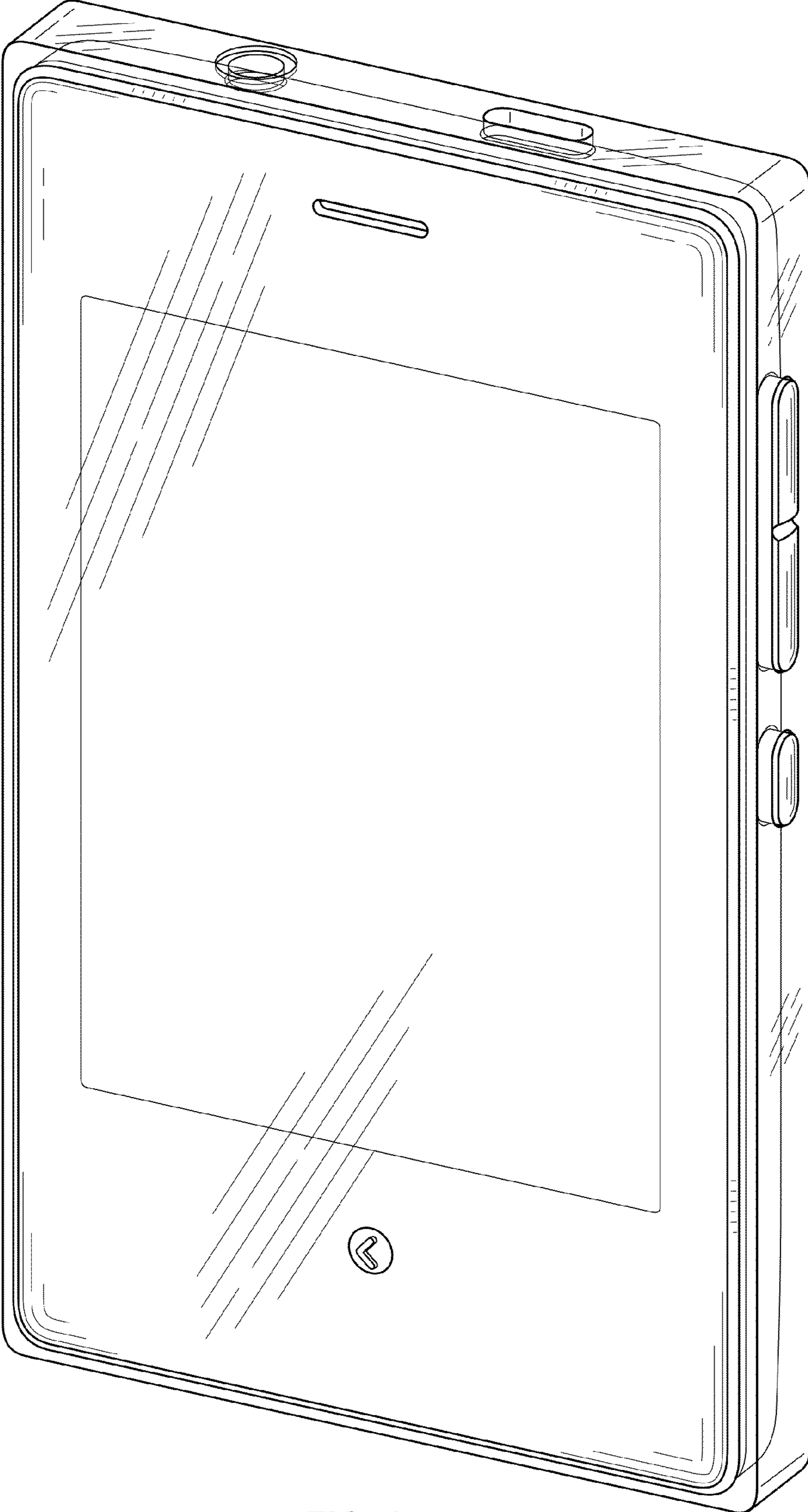


FIG. 1

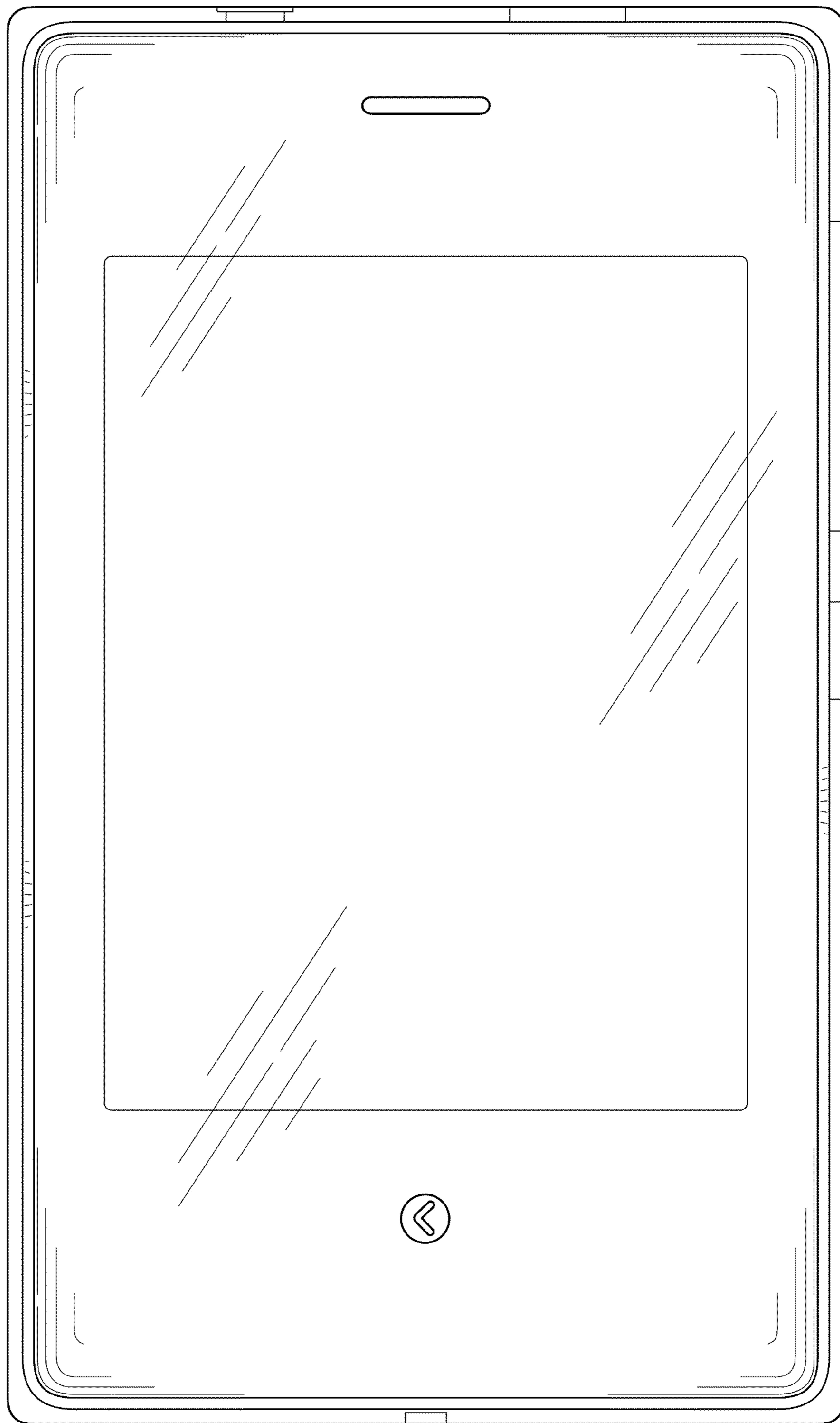


FIG. 2

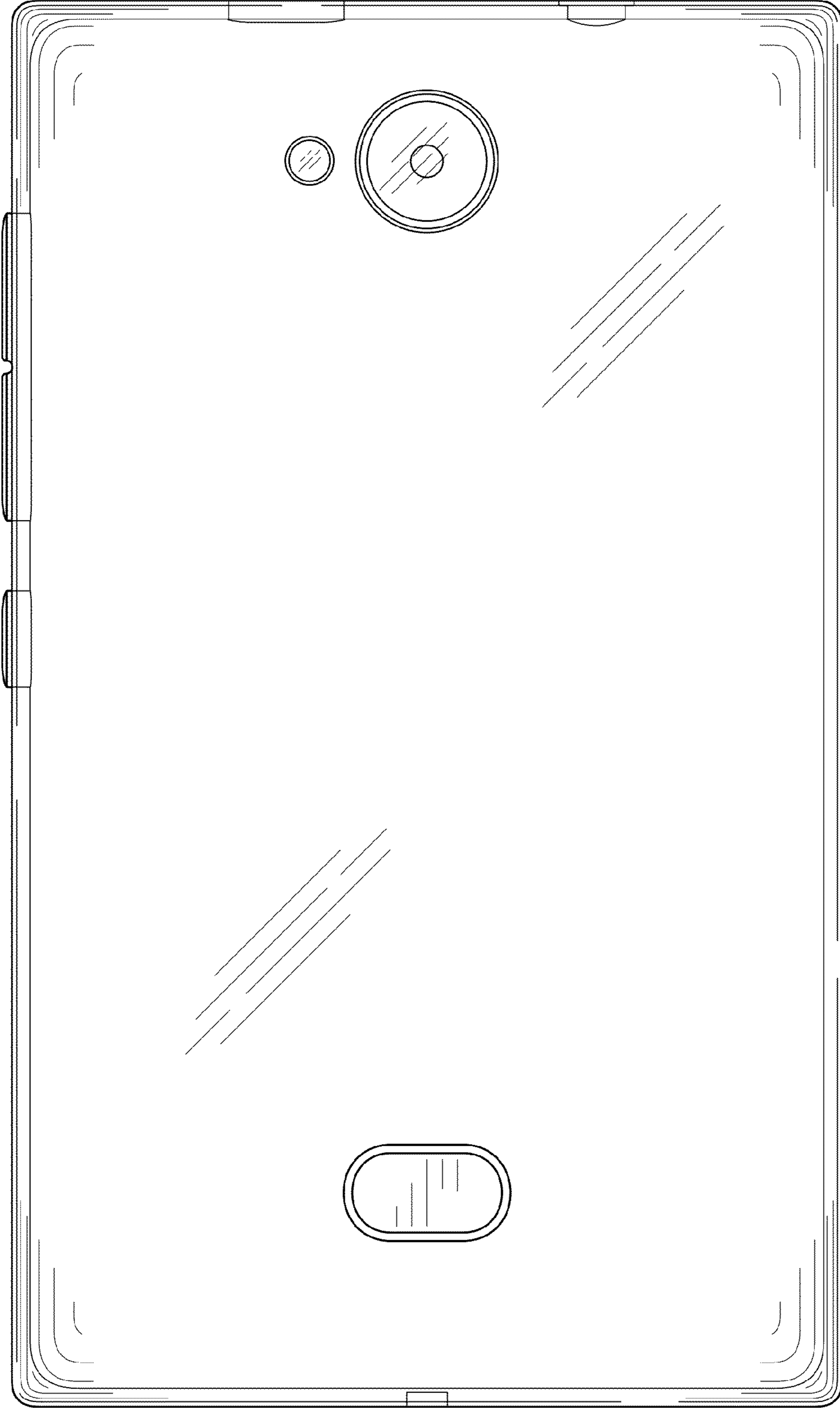


FIG. 3

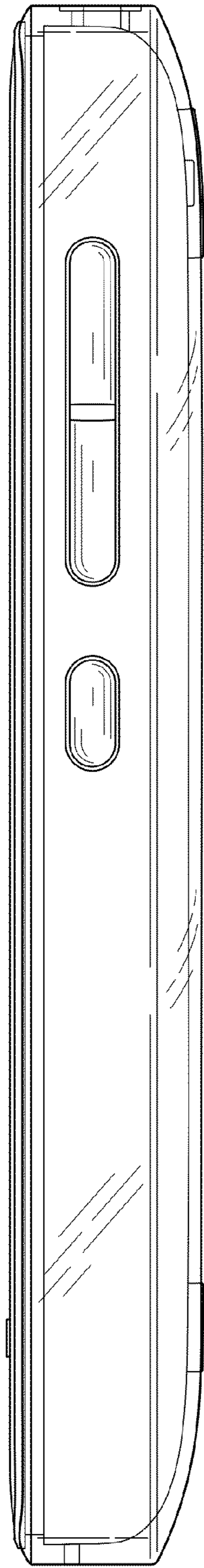


FIG. 4

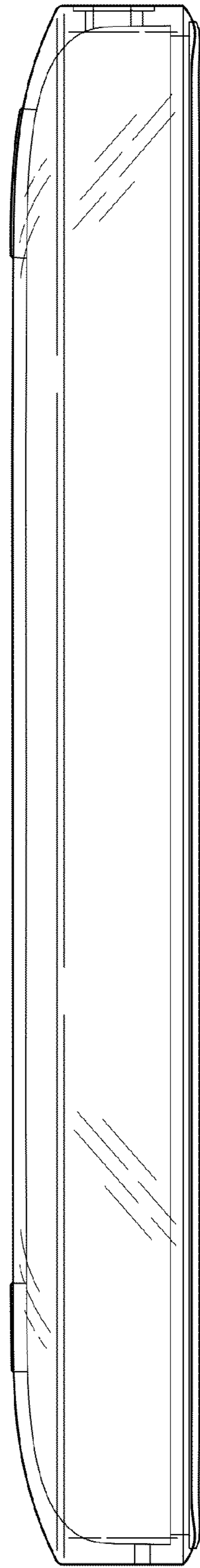


FIG. 5

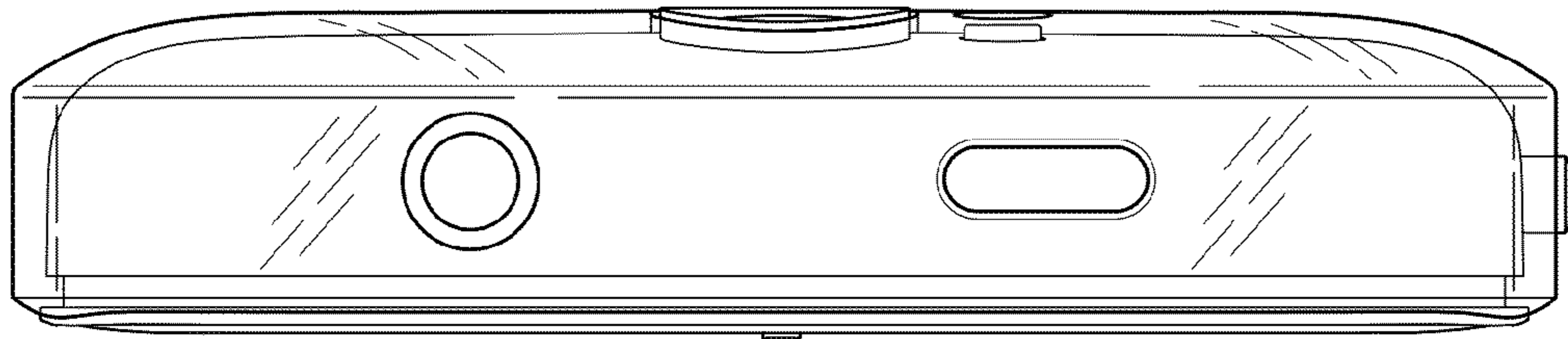


FIG. 6

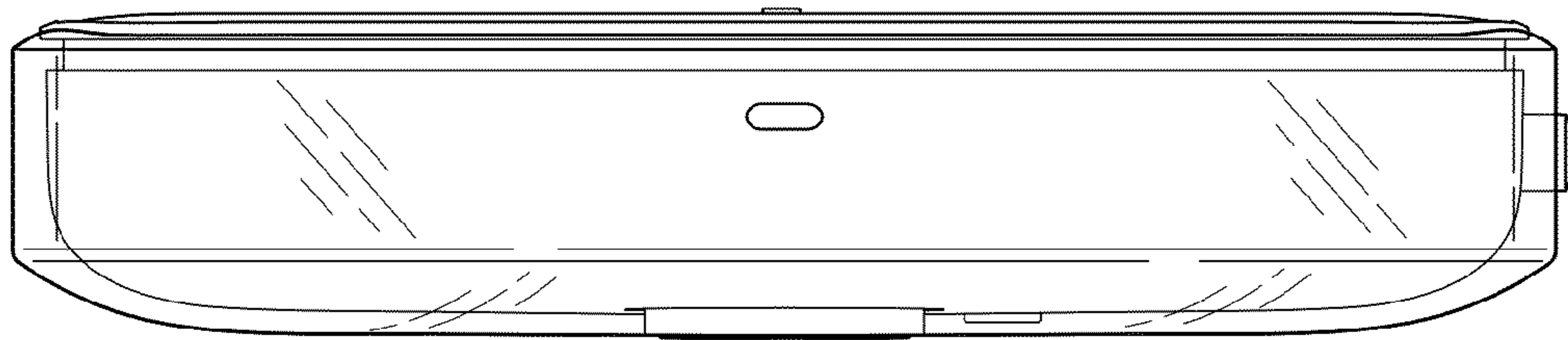


FIG. 7