

US00D720323S

(12) **United States Design Patent**
Cho

(10) **Patent No.:** **US D720,323 S**

(45) **Date of Patent:** **** Dec. 30, 2014**

(54) **HANDSET**

(71) Applicant: **Nokia Corporation**, Espoo (FI)

(72) Inventor: **Sungwoo Cho**, Beijing (CN)

(73) Assignee: **Nokia Corporation**, Espoo (FI)

(**) Term: **14 Years**

(21) Appl. No.: **29/458,600**

(22) Filed: **Jun. 20, 2013**

(51) **LOC (10) Cl.** **14-03**

(52) **U.S. Cl.**
USPC **D14/138 AA**

(58) **Field of Classification Search**
CPC H04M 1/02; H04M 1/0202-1/035;
G06F 1/626; H01H 13/85
USPC D14/138 AA, 138 R, 341, 346, 345,
D14/138 G, 138 AD, 496, 203.1, 203.3,
D14/203.4, 203.7, 248, 218, 147, 148;
455/575.1, 556.1, 556.2, 575.3, 575.4;
D21/517; 379/433.01, 433.04;
D13/168; 361/679.3, 679.56
See application file for complete search history.

(56) **References Cited**

U.S. PATENT DOCUMENTS

D564,483 S	3/2008	He	
D576,582 S	9/2008	Gartrell	
D576,589 S	9/2008	Montin et al.	
D584,712 S	1/2009	Okkonen	
D589,919 S	4/2009	Bower	
D589,922 S	4/2009	Boyd et al.	
D600,685 S	9/2009	Gartrell	
D606,039 S *	12/2009	Henning	D14/138 AA
D609,208 S *	2/2010	Cheng	D14/138 AA
D609,672 S *	2/2010	Lee et al.	D14/138 AA
D615,958 S *	5/2010	Tkachuk et al.	D14/148
D631,454 S *	1/2011	Cui	D14/138 AA

D636,370 S	4/2011	Huang	
D636,755 S *	4/2011	Chen	D14/138 AA
D639,259 S	6/2011	Anderson	
D652,012 S *	1/2012	Jung et al.	D14/138 AA
8,149,575 B2 *	4/2012	Yang et al.	361/679.56
D660,277 S *	5/2012	Park et al.	D14/138 AA
8,224,404 B2 *	7/2012	Yang et al.	455/575.1
D676,408 S *	2/2013	Kim	D14/138 AA

(Continued)

FOREIGN PATENT DOCUMENTS

IN	213761	12/2007
WO	DM069896	6/2008

OTHER PUBLICATIONS

Nokia 208 telephone, announced Jul. 2013, [online], [site visited Sep. 14, 2014]. Available from Internet, <URL: http://www.gsmarena.com/nokia_208-5560.php>.*

(Continued)

Primary Examiner — Jeffrey D Asch
(74) *Attorney, Agent, or Firm* — Banner & Witcoff, Ltd.

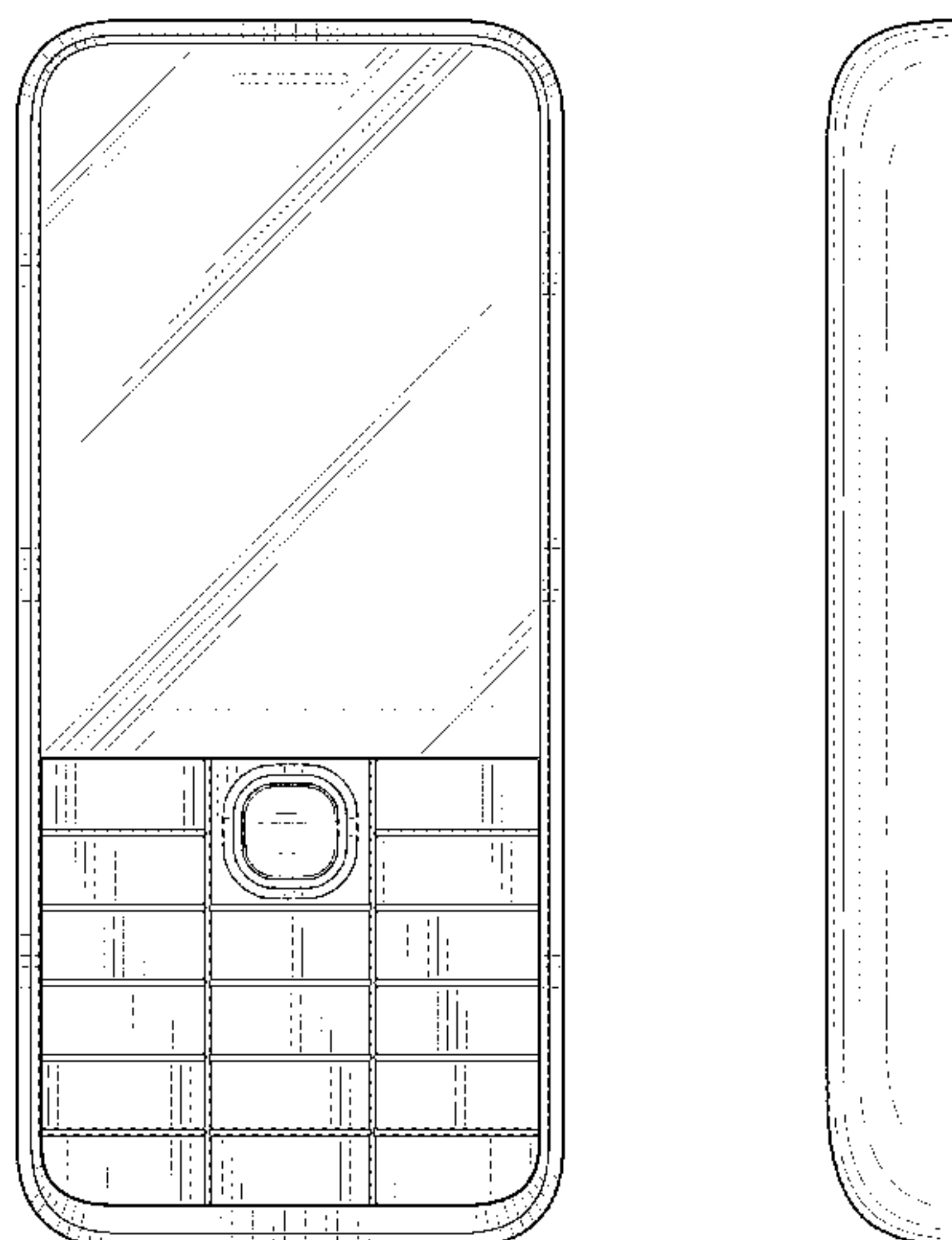
(57) **CLAIM**

The ornamental design for a handset, as shown and described.

DESCRIPTION

FIG. 1 is a perspective front view of a handset showing my new design;
FIG. 2 is a front plan view thereof;
FIG. 3 is a rear plan view thereof;
FIG. 4 is a left side view thereof;
FIG. 5 is a right side view thereof;
FIG. 6 is a top plan view thereof; and,
FIG. 7 is a bottom plan view thereof.
The broken lines of the handset in FIGS. 1-7 and the unshaded regions within the broken lines show portions of the handset and form no part of the claimed design.

1 Claim, 5 Drawing Sheets



(56)

References Cited

U.S. PATENT DOCUMENTS

D677,645 S * 3/2013 Cho D14/138 G
 D686,587 S * 7/2013 Osaki D14/138 AA
 D691,981 S * 10/2013 Park D14/138 AA
 D702,204 S * 4/2014 Oh et al. D14/138 G
 D709,848 S * 7/2014 Wang et al. D14/138 AA
 D709,849 S * 7/2014 Cho D14/138 AA
 D709,851 S * 7/2014 Cai et al. D14/138 AA
 8,792,069 B2 * 7/2014 Hyytiainen 349/74
 D710,815 S * 8/2014 Kim et al. D14/138 G
 D711,340 S * 8/2014 Kang D14/138 G
 2007/0296702 A1 * 12/2007 Strawn et al. 345/169
 2014/0083296 A1 * 3/2014 Sanders 96/11

OTHER PUBLICATIONS

Nokia 207 telephone, announced Jul. 2013, [online], [site visited Sep. 14, 2014]. Available from Internet, <URL: http://www.gsmarena.com/nokia_207-5559.php>.*

Nokia 301 telephone, announced Feb. 2013, [online], [site visited Sep. 14, 2014]. Available from Internet, <URL: http://www.gsmarena.com/nokia_301-5323.php>.*

Nokia 3500 classic telephone, announced Jun. 2007, [online], [site visited Sep. 14, 2014]. Available from Internet, <URL: http://www.gsmarena.com/nokia_3500_classic-2012.php>.*

Nokia 106 telephone, announced Aug. 2013, [online], [site visited Sep. 14, 2014]. Available from Internet, <URL: http://www.gsmarena.com/nokia_106-5635.php>.*

Nokia 220 telephone, announced Feb. 2014, [online], [site visited Sep. 14, 2014]. Available from Internet, <URL: http://www.gsmarena.com/nokia_220-6150.php>.*

Nokia 225 Dual SIM telephone, announced Apr. 2014, [online], [site visited Sep. 14, 2014]. Available from Internet, <URL: http://www.gsmarena.com/nokia_225_dual_sim-6287.php>.*

O2 Jet telephone, announced Oct. 2006, [online], [site visited Sep. 14, 2014]. Available from Internet, <URL: http://www.gsmarena.com/o2_jet-1735.php>.*

Celkon C207 telephone, announced 2011, [online], [site visited Sep. 14, 2014]. Available from Internet, <URL: http://www.gsmarena.com/celkon_c207-4485.php>.*

Karbons K9 Jumbo telephone, announced 2012, [online], [site visited Sep. 14, 2014]. Available from Internet, <URL: http://www.gsmarena.com/karbons_k9_jumbo-5177.php>.*

Samsung E3210 telephone, announced Feb. 2011, [online], [site visited Sep. 14, 2014]. Available from Internet, <URL: http://www.gsmarena.com/samsung_e3210-3766.php>.*

Office Action received in corresponding Indian Application No. 258749 issued on Apr. 16, 2014. 2 pages.

Office Action received in corresponding Russian Application No. 2013504792 dated Jul. 28, 2014. 3 pages.

* cited by examiner

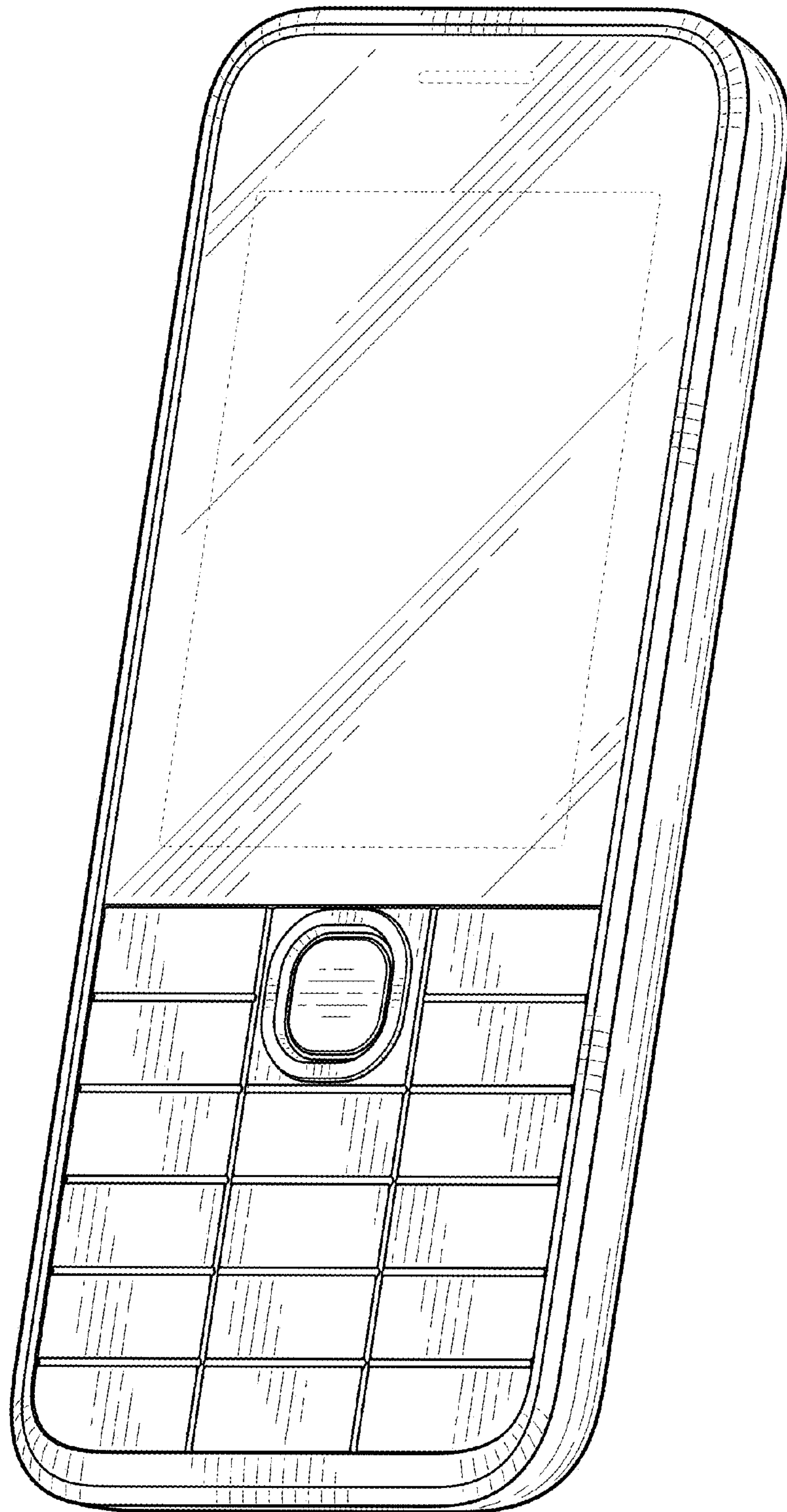


FIG. 1

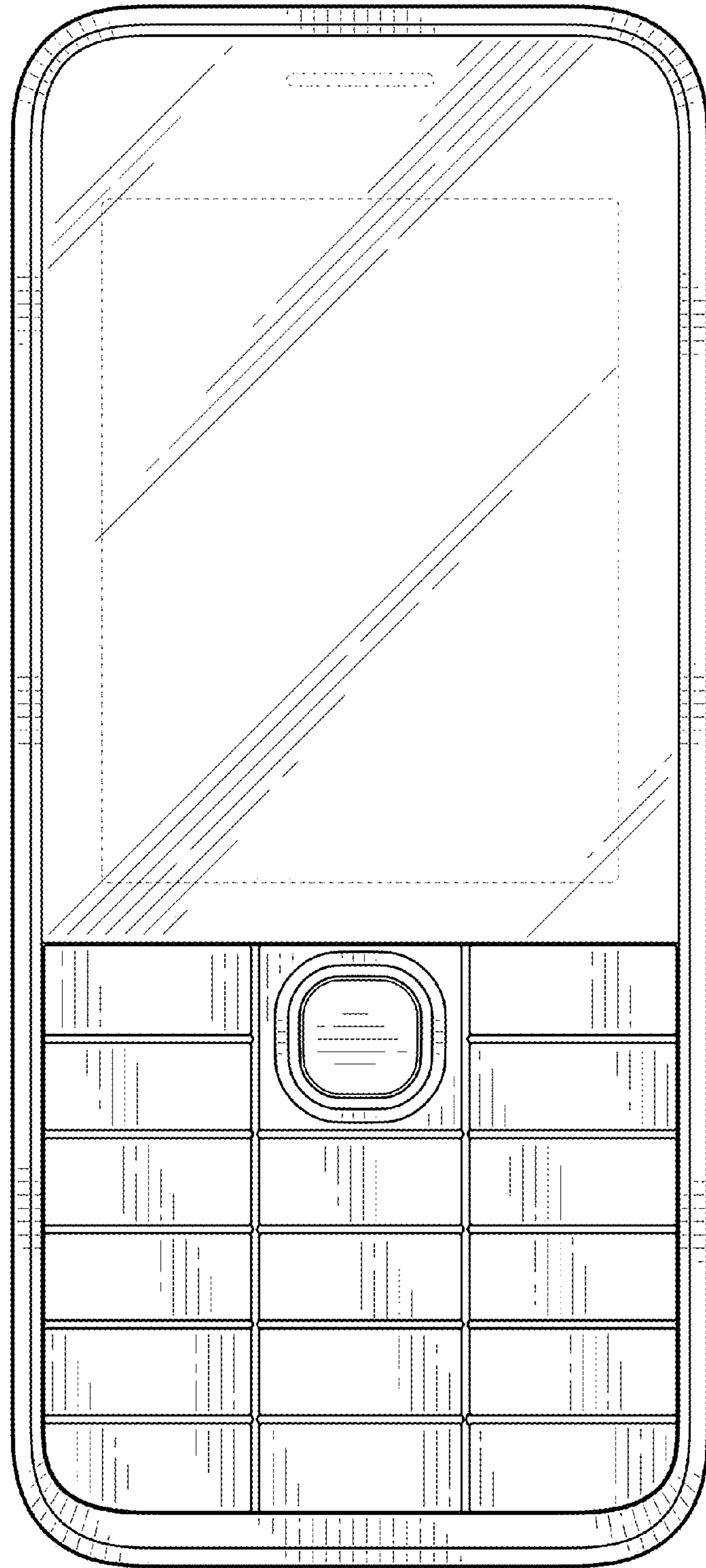


FIG. 2

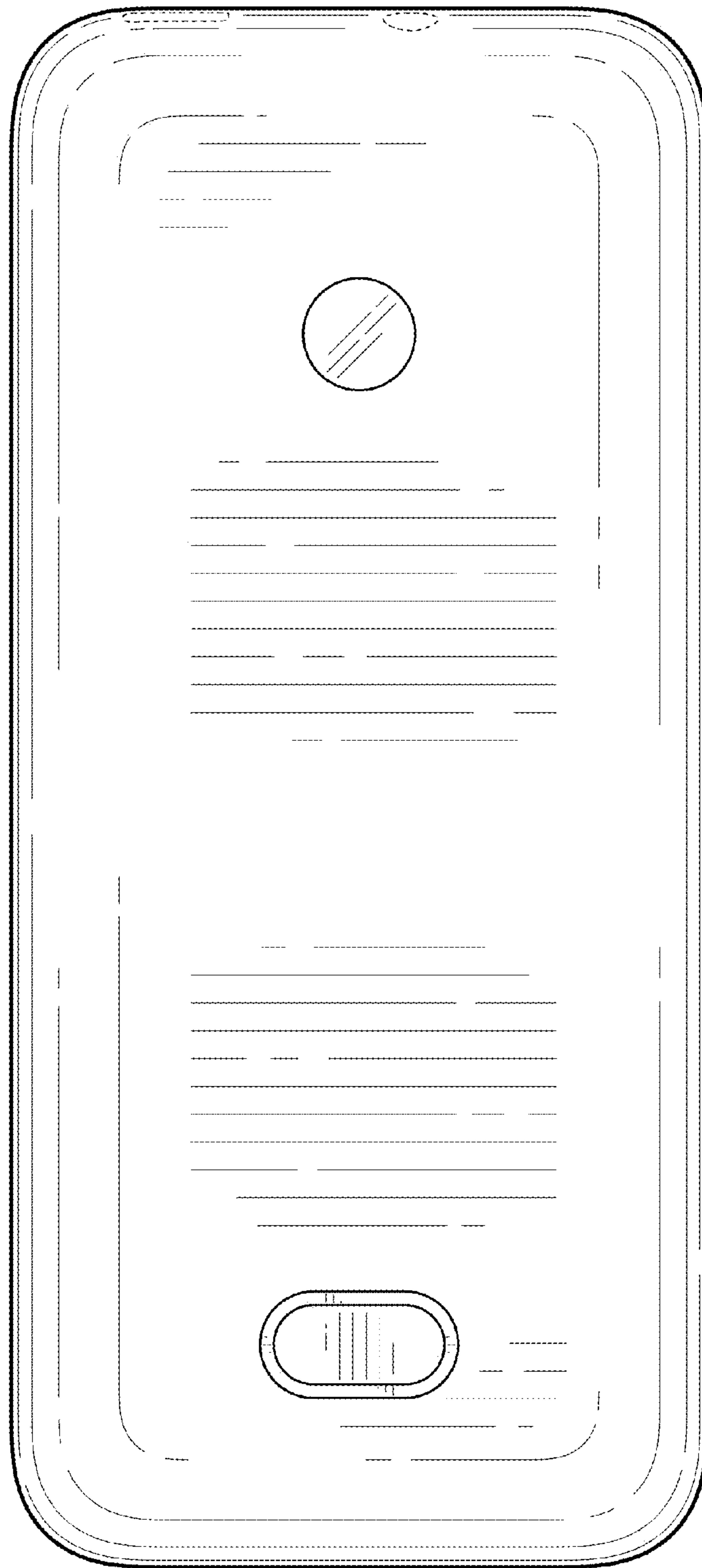


FIG. 3

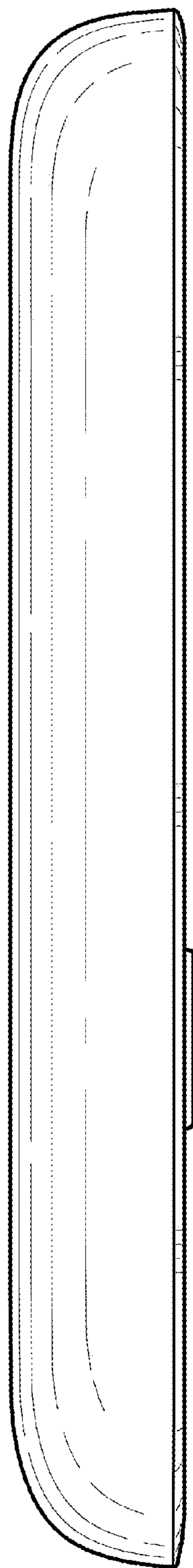


FIG. 4

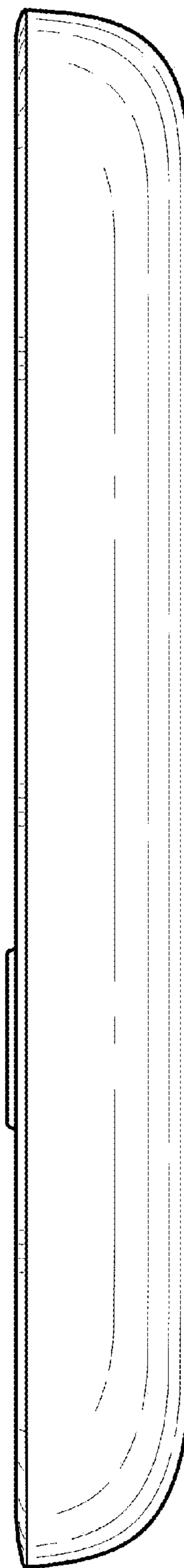


FIG. 5

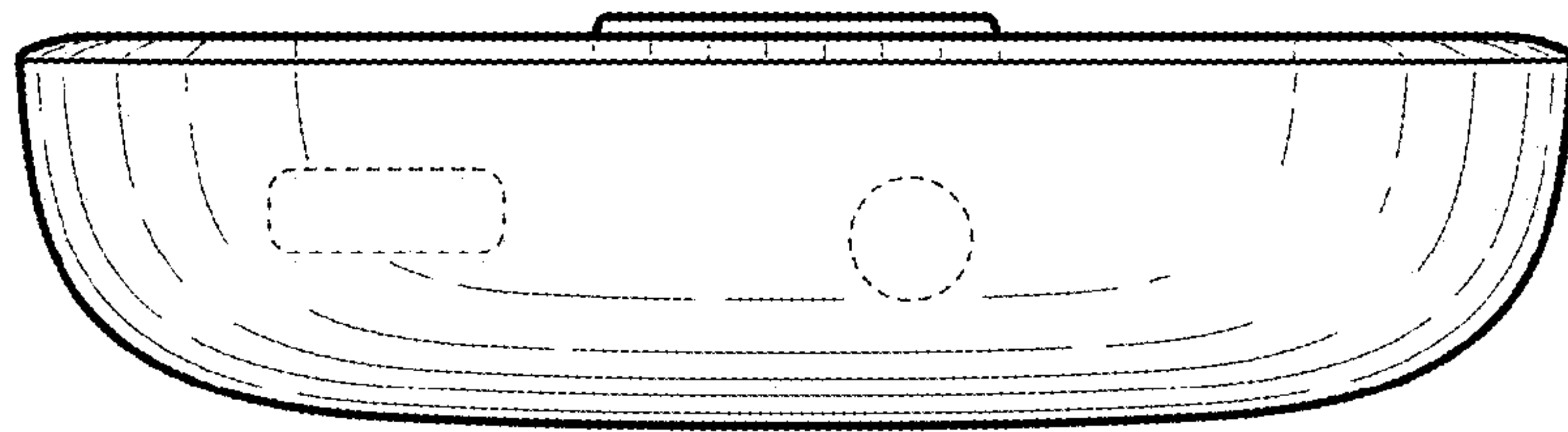


FIG. 6

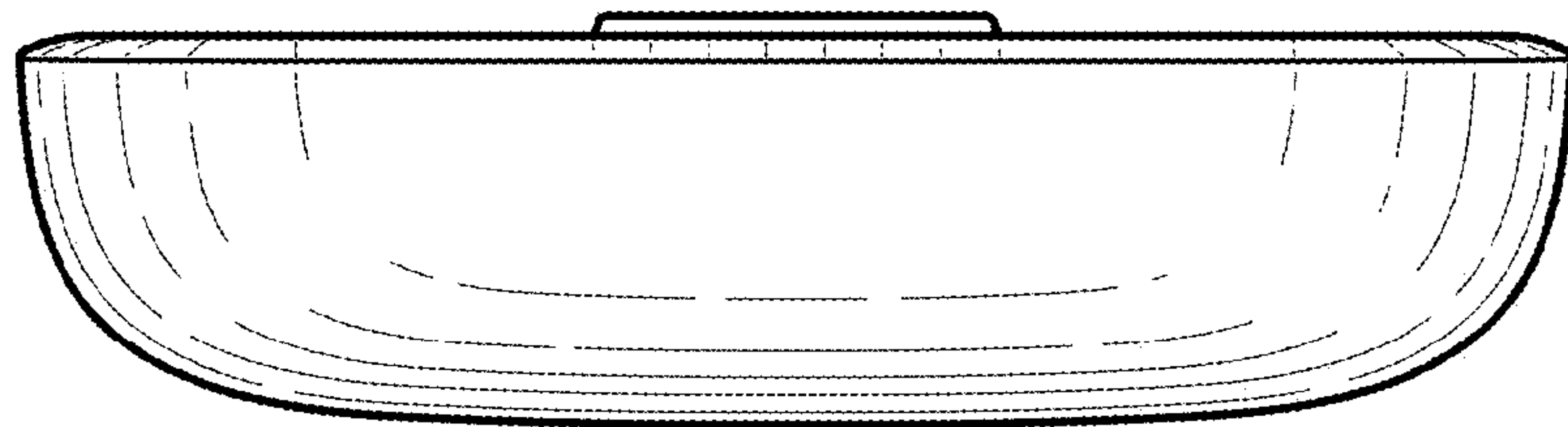


FIG. 7