



US00D720317S

(12) **United States Design Patent**  
**Kamp et al.**

(10) **Patent No.:** **US D720,317 S**

(45) **Date of Patent:** **\*\* Dec. 30, 2014**

(54) **MOBILE INFORMATION AND ENTERTAINMENT UNIT**

(71) Applicant: **Eufina AG**, Zug (CH)

(72) Inventors: **Hermann Kamp**, Neuss (DE); **Frank Remih**, Zug (CH)

(73) Assignee: **Eufina AG**, Zug (CH)

(\*\*) Term: **14 Years**

(21) Appl. No.: **29/500,383**

(22) Filed: **Aug. 25, 2014**

(30) **Foreign Application Priority Data**

Feb. 25, 2014 (EP) ..... 0024114470002  
Feb. 25, 2014 (EP) ..... 0024114470003  
Feb. 25, 2014 (EP) ..... 0024114470003  
Feb. 25, 2014 (EP) ..... 0024114470004

(51) **LOC (10) Cl.** ..... **14-03**

(52) **U.S. Cl.**  
USPC ..... **D14/126**

(58) **Field of Classification Search**  
CPC ... G06F 1/1601; G06F 1/1643; H05K 5/0004;  
H05K 5/0017; H05K 5/02; H05K 5/0217  
USPC ..... D14/125-134, 239, 371, 136, 374-377,  
D14/440, 450, 448, 336, 342, 159; 312/7.2;  
348/836, 838, 180, 184, 325, 739;  
248/917-924, 465; 345/104, 133, 156,  
345/168, 87, 173; D21/329, 515, 577, 622,  
D21/333, 433, 448, 452, 450, 331, 505;  
D10/15, 26; 446/484, 175, 356;  
D6/477, 479, 300; D24/185; D34/14  
See application file for complete search history.

(56) **References Cited**

**U.S. PATENT DOCUMENTS**

3,942,751 A 3/1976 Fay

4,433,881 A 2/1984 Witten et al.  
5,179,447 A 1/1993 Lain  
D338,272 S \* 8/1993 Cunagin et al. .... D24/167  
5,528,453 A 6/1996 Berman et al.  
5,618,090 A 4/1997 Montague et al.  
D389,917 S \* 1/1998 Hornback et al. .... D24/186  
D406,894 S \* 3/1999 Menhennett et al. .... D24/169  
D412,748 S \* 8/1999 Nabarro ..... D24/186  
D416,251 S \* 11/1999 Rosen ..... D14/126  
D430,867 S \* 9/2000 Smith et al. .... D14/308  
D457,445 S \* 5/2002 Schoenfish ..... D10/65  
D467,001 S \* 12/2002 Buczek et al. .... D24/172  
D471,189 S \* 3/2003 Bradley et al. .... D14/308  
D486,915 S \* 2/2004 Warschewske et al. .... D24/185  
7,065,319 B1 \* 6/2006 Hartley ..... 434/307 R  
D552,568 S \* 10/2007 Harper et al. .... D14/126  
D552,740 S \* 10/2007 Park ..... D24/186  
7,338,054 B2 3/2008 Pint  
D568,481 S \* 5/2008 Martinson ..... D24/185  
7,401,796 B1 \* 7/2008 Greco ..... 280/47.35

(Continued)

*Primary Examiner* — Raphael Barkai

(74) *Attorney, Agent, or Firm* — Panitch Schwarze  
Belisario & Nadel LLP

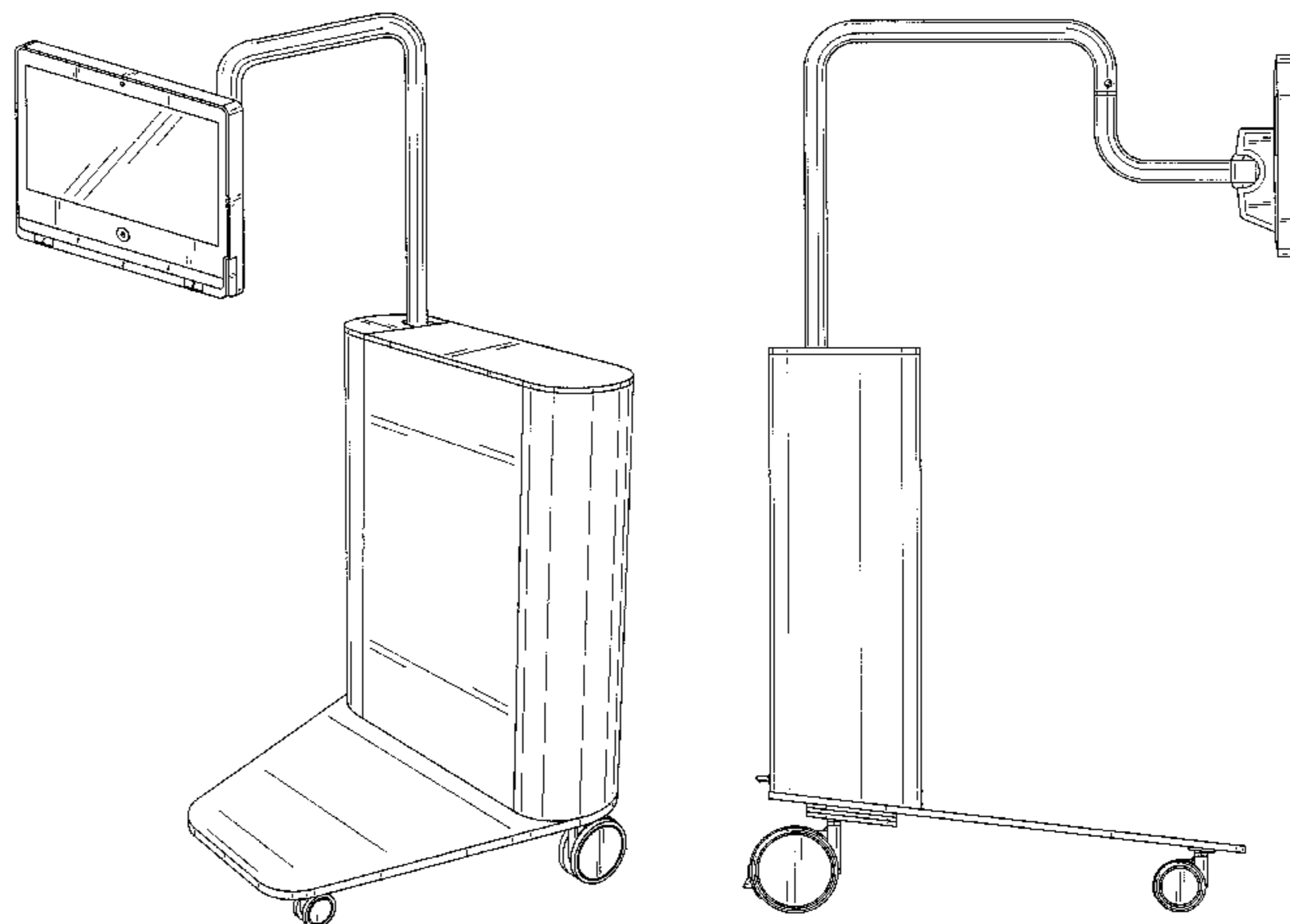
(57) **CLAIM**

The ornamental design for a mobile information and entertainment unit, as shown and described.

**DESCRIPTION**

FIG. 1 is a perspective view of the mobile information and entertainment unit;  
FIG. 2 is a front elevational view thereof;  
FIG. 3 is a rear elevational view thereof;  
FIG. 4 is a left side elevational view thereof;  
FIG. 5 is a right side elevational view thereof;  
FIG. 6 is a top plan view thereof; and,  
FIG. 7 is a bottom plan view thereof.

**1 Claim, 7 Drawing Sheets**



(56)

**References Cited**

U.S. PATENT DOCUMENTS

7,665,709	B2	2/2010	Cvek				
7,864,512	B2	1/2011	Kirschner et al.				
7,911,349	B2	3/2011	Zerhusen et al.				
8,245,652	B2	8/2012	Hung				
8,286,977	B2*	10/2012	Butler et al. ....	280/47.35			
8,596,728	B2	12/2013	Rozestraten				
2001/0034530	A1*	10/2001	Malackowski et al. ....	606/130			
					2003/0058372	A1*	3/2003 Williams et al. .... 348/836
					2004/0090154	A1	5/2004 Chang
					2006/0075550	A1	4/2006 Hanson
					2006/0150869	A1	7/2006 Cvek
					2008/0169734	A1	7/2008 Bartels
					2008/0250985	A1	10/2008 Hall
					2008/0255448	A1*	10/2008 Zhu et al. .... 600/437
					2010/0148458	A1*	6/2010 Ross et al. .... 280/47.34
					2012/0260830	A1	10/2012 Luiten
					2014/0001929	A1	1/2014 Remih

\* cited by examiner

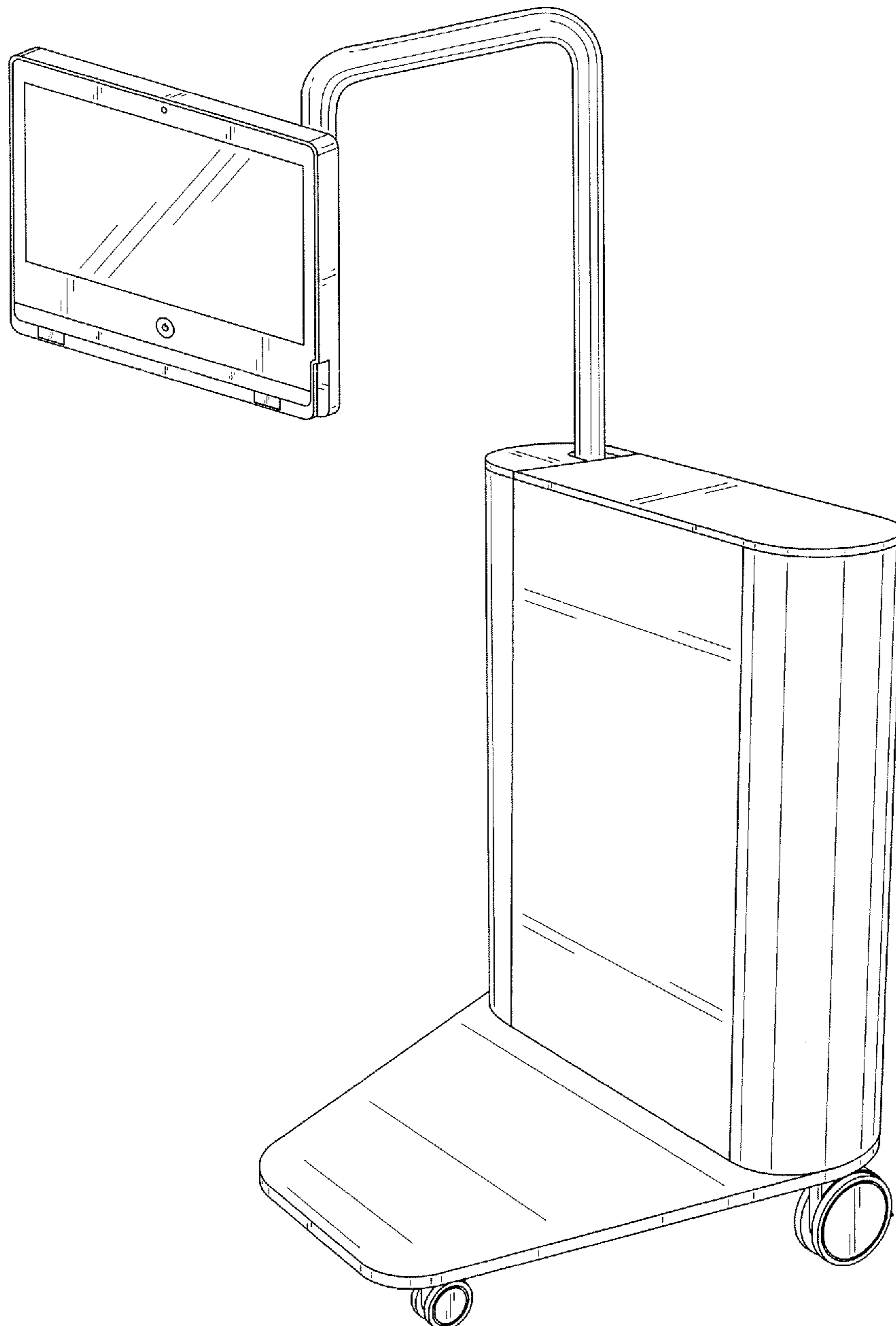


FIG. 1

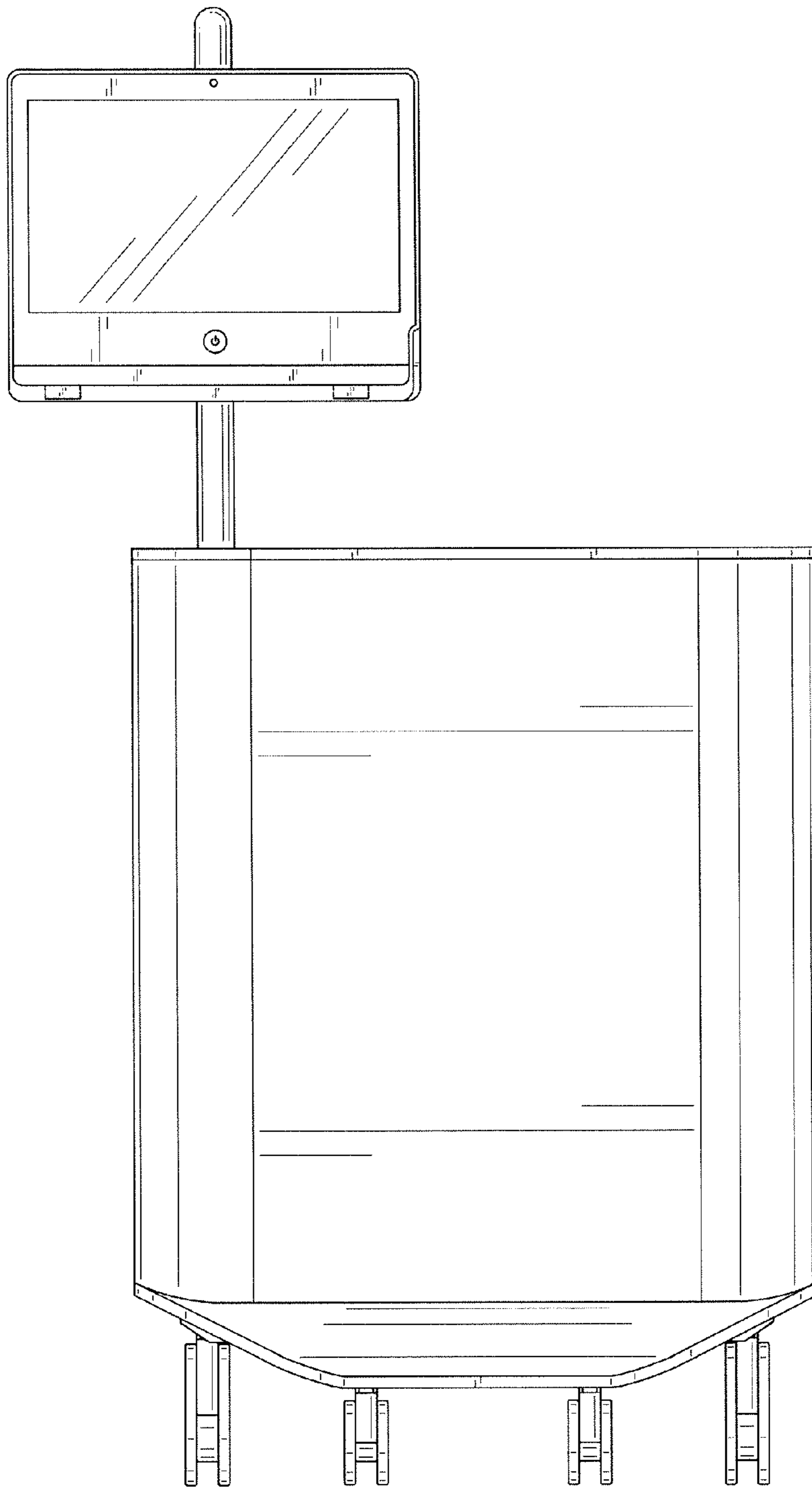


FIG. 2

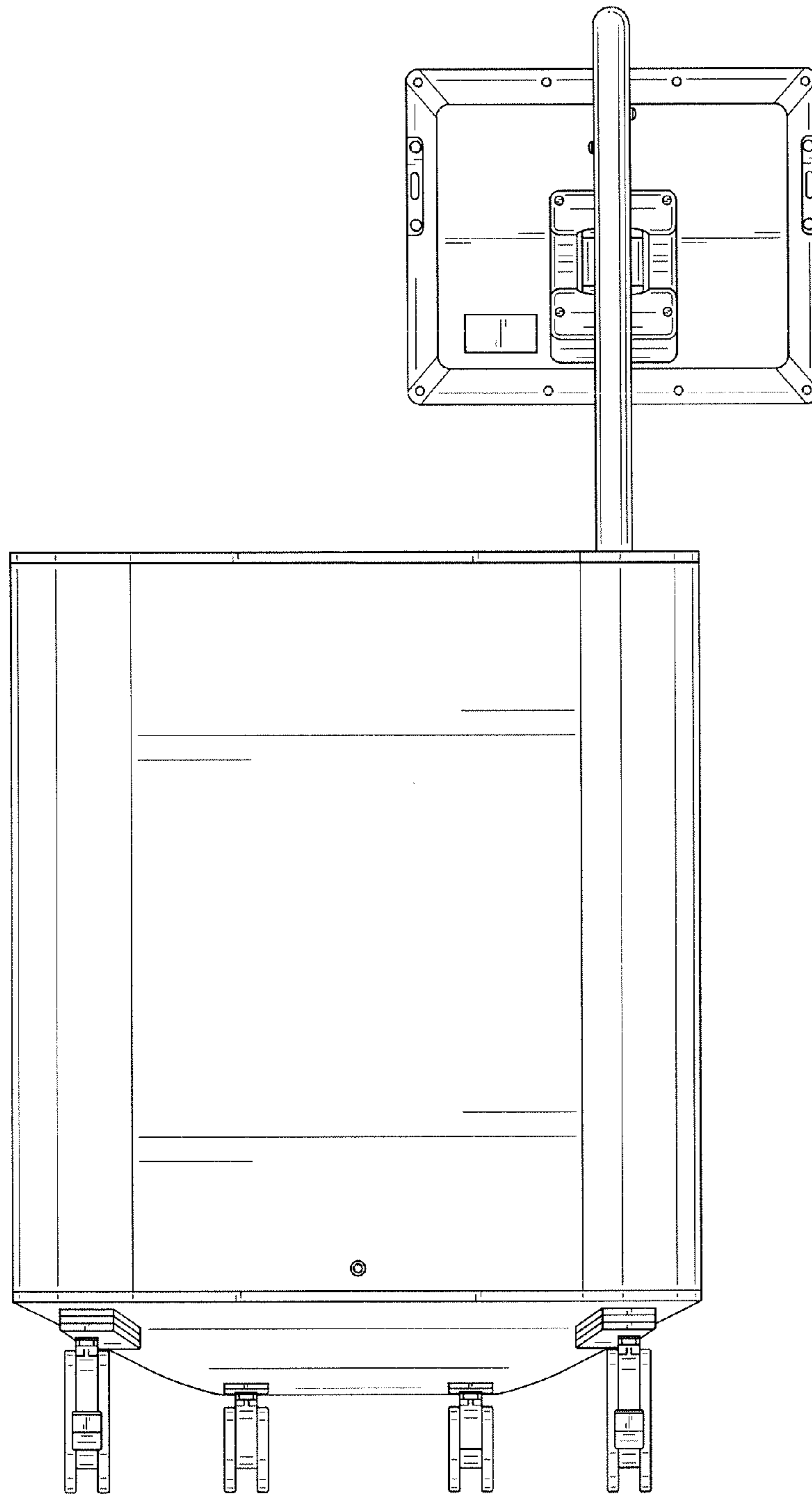


FIG. 3

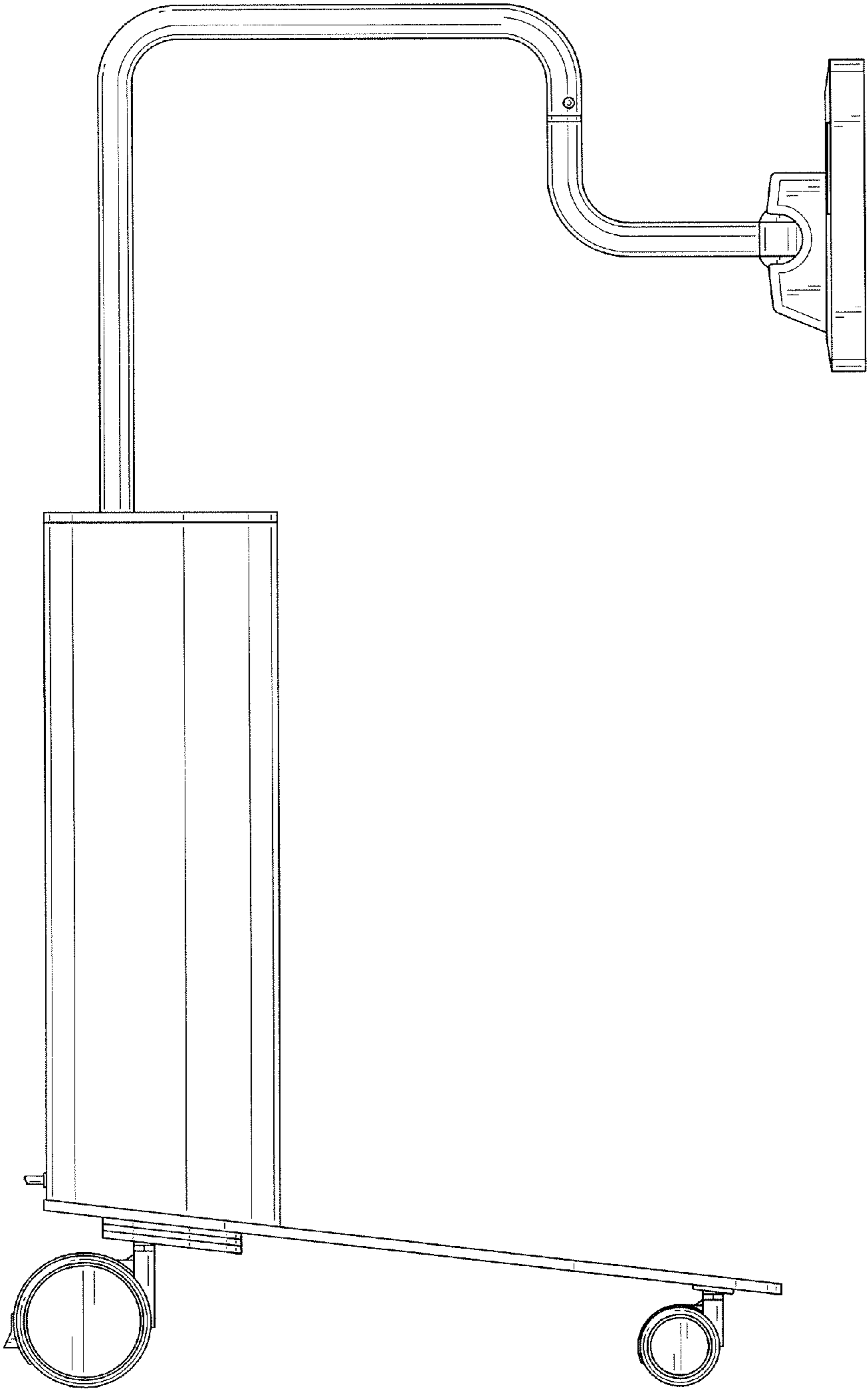


FIG. 4

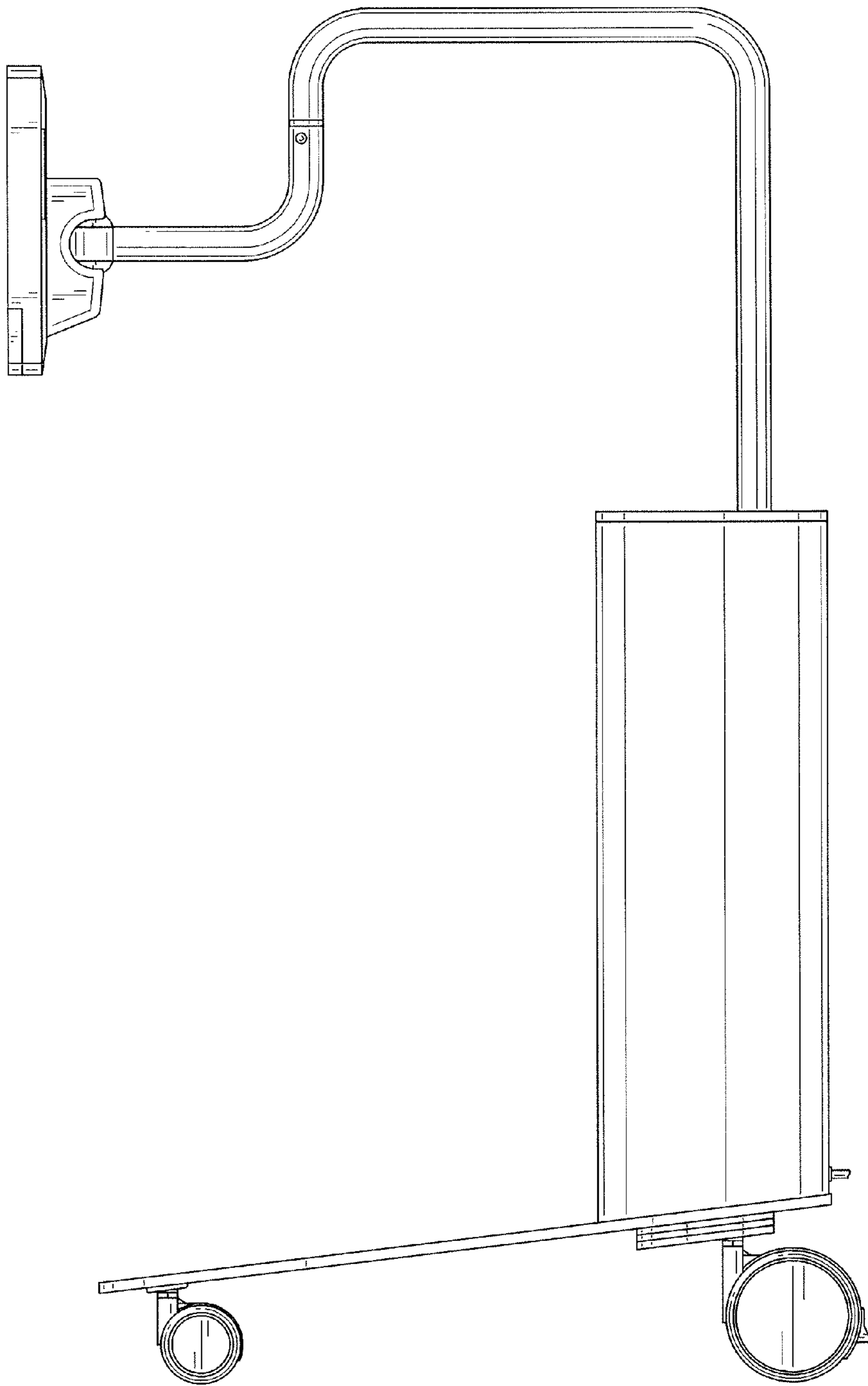


FIG. 5

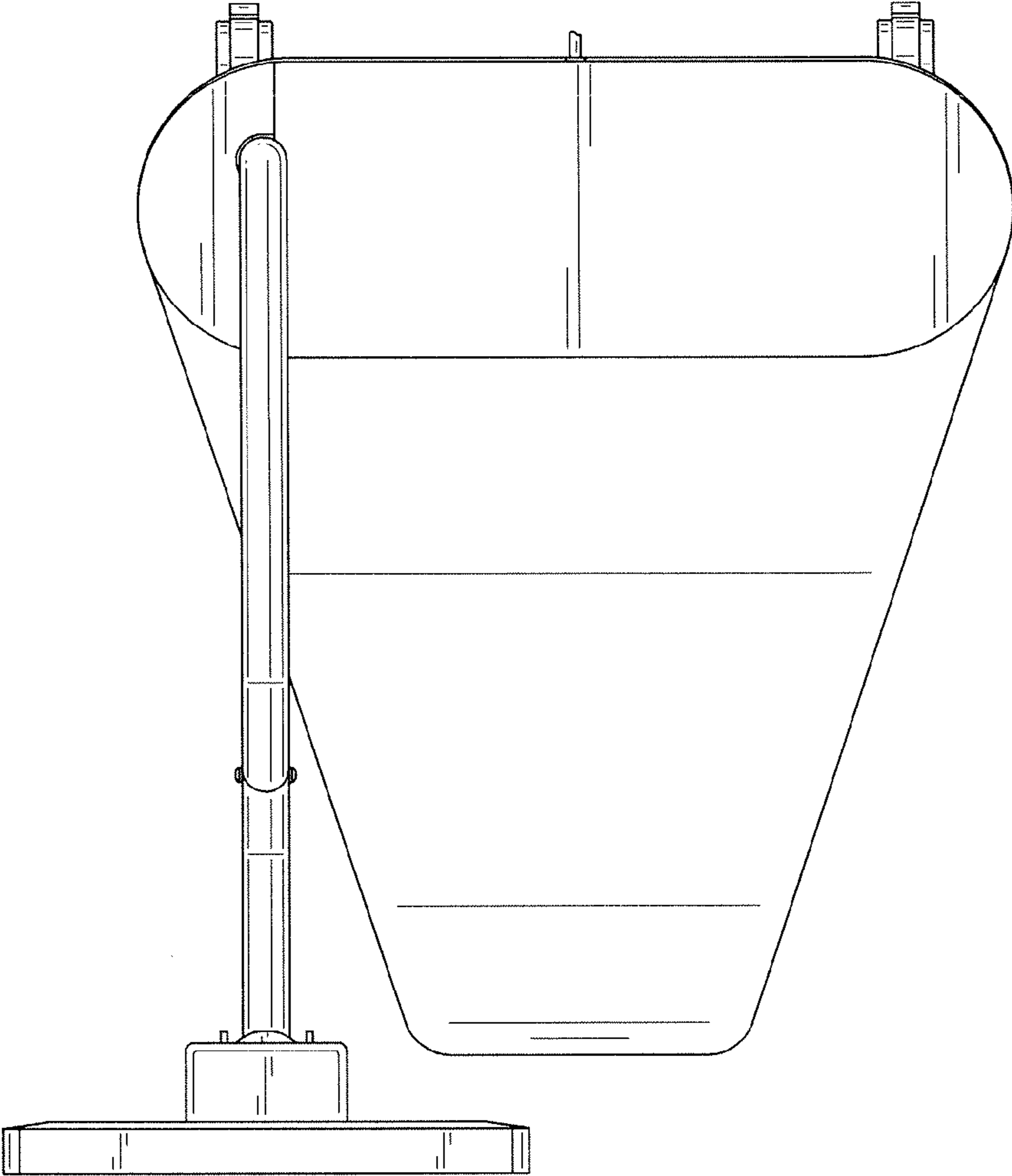


FIG. 6



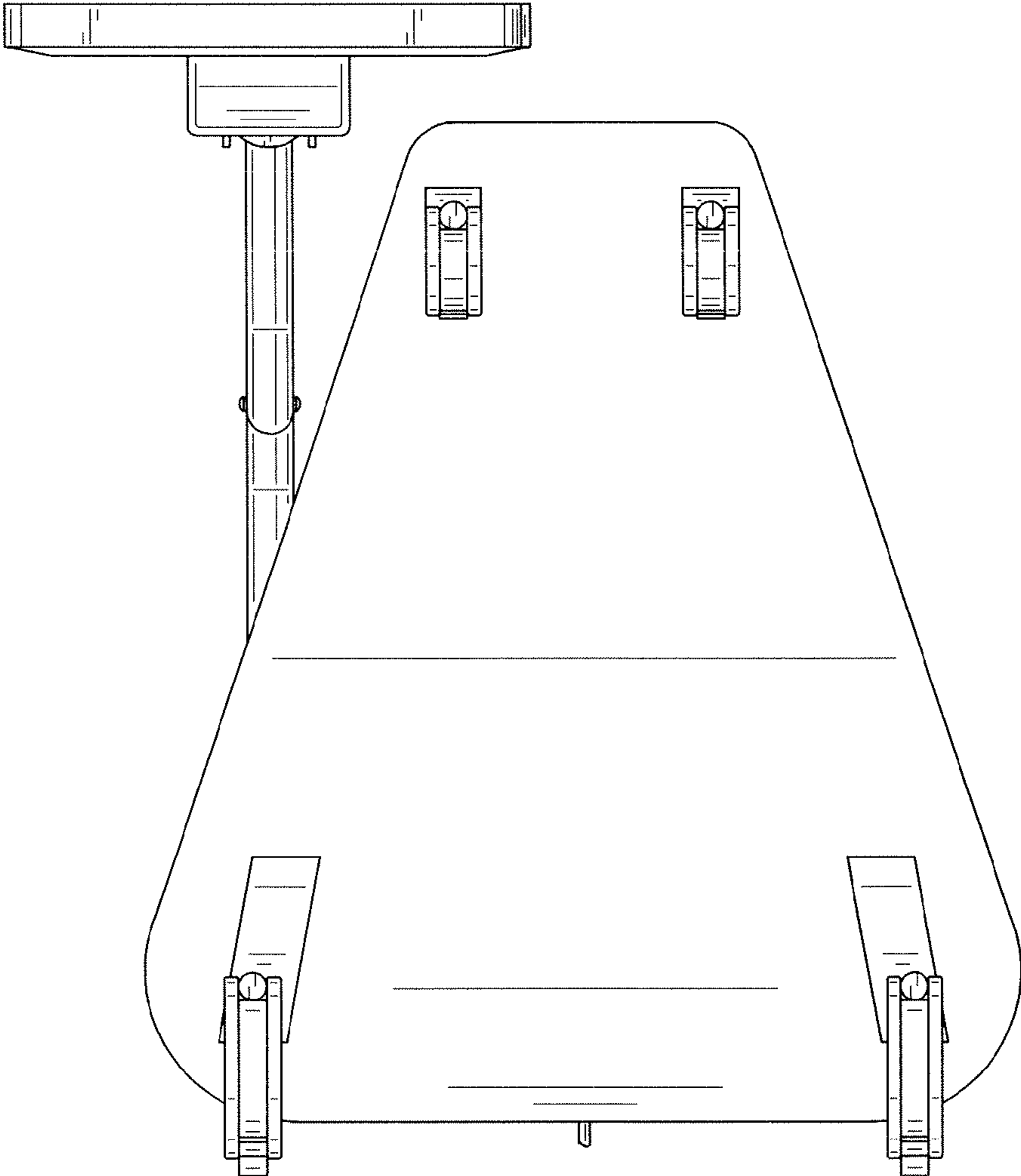


FIG. 7