



US00D720315S

(12) **United States Design Patent**  
**Kim et al.**

(10) **Patent No.:** **US D720,315 S**

(45) **Date of Patent:** **\*\* \*Dec. 30, 2014**

(54) **TV RECEIVER**

(75) Inventors: **Jae Hyung Kim**, Gwangju Si (KR); **Jun Ho Yang**, Sunnam (KR)

(73) Assignee: **Samsung Electronics Co., Ltd.**, Gyeonggi-do (KR)

(\*) Notice: This patent is subject to a terminal disclaimer.

(\*\*) Term: **14 Years**

(21) Appl. No.: **29/425,084**

(22) Filed: **Jun. 20, 2012**

(51) **LOC (10) Cl.** ..... **14-03**

(52) **U.S. Cl.**  
USPC ..... **D14/126**

(58) **Field of Classification Search**  
USPC ..... D14/126, 451, 238, 127, 132, 211;  
312/7.2; 348/836, 838, 180, 184, 325,  
348/739; 341/12; 248/917-924, 465, 446,  
248/157; 345/104, 133, 156, 168, 87, 173;  
720/605, 600, 655; 455/347; D16/242;  
D6/333, 364, 653.2, 675, 677.3,  
D6/708.18; D20/17, 18, 39, 21, 22;  
273/148 B; D10/15, 26  
See application file for complete search history.

(56) **References Cited**

**U.S. PATENT DOCUMENTS**

D415,768 S \* 10/1999 Howell ..... D14/451  
D588,576 S \* 3/2009 Son et al. .... D14/211

D607,426 S \* 1/2010 Yang ..... D14/126  
7,789,355 B2 \* 9/2010 Gan et al. .... 248/157  
D653,636 S \* 2/2012 Lee et al. .... D14/126  
D677,638 S \* 3/2013 Kim et al. .... D14/126  
D682,271 S \* 5/2013 Kim et al. .... D14/374  
D685,806 S \* 7/2013 Kim et al. .... D14/451  
D687,812 S \* 8/2013 Lee ..... D14/211  
D694,206 S \* 11/2013 Seo et al. .... D14/126  
D699,728 S \* 2/2014 Kim et al. .... D14/451  
2003/0058372 A1 \* 3/2003 Williams et al. .... 348/836

\* cited by examiner

*Primary Examiner* — Robert M Spear

*Assistant Examiner* — Eliza Bennett-Hattan

(74) *Attorney, Agent, or Firm* — Harness, Dickey & Pierce

(57) **CLAIM**

We claim the ornamental design for a TV receiver, as shown and described.

**DESCRIPTION**

FIG. 1 is a front/right-side/top perspective view of a TV receiver showing our new design;  
FIG. 2 is a front-side elevational view thereof;  
FIG. 3 is a rear-side elevational view thereof;  
FIG. 4 is a left-side elevational view thereof;  
FIG. 5 is a right-side elevational view thereof;  
FIG. 6 is a top-side elevational view thereof;  
FIG. 7 is a bottom-side elevational view thereof; and,  
FIG. 8 is a referenced view thereof.  
The broken lines in the drawing depict environmental subject matter only and form no part of the claimed design.

**1 Claim, 7 Drawing Sheets**

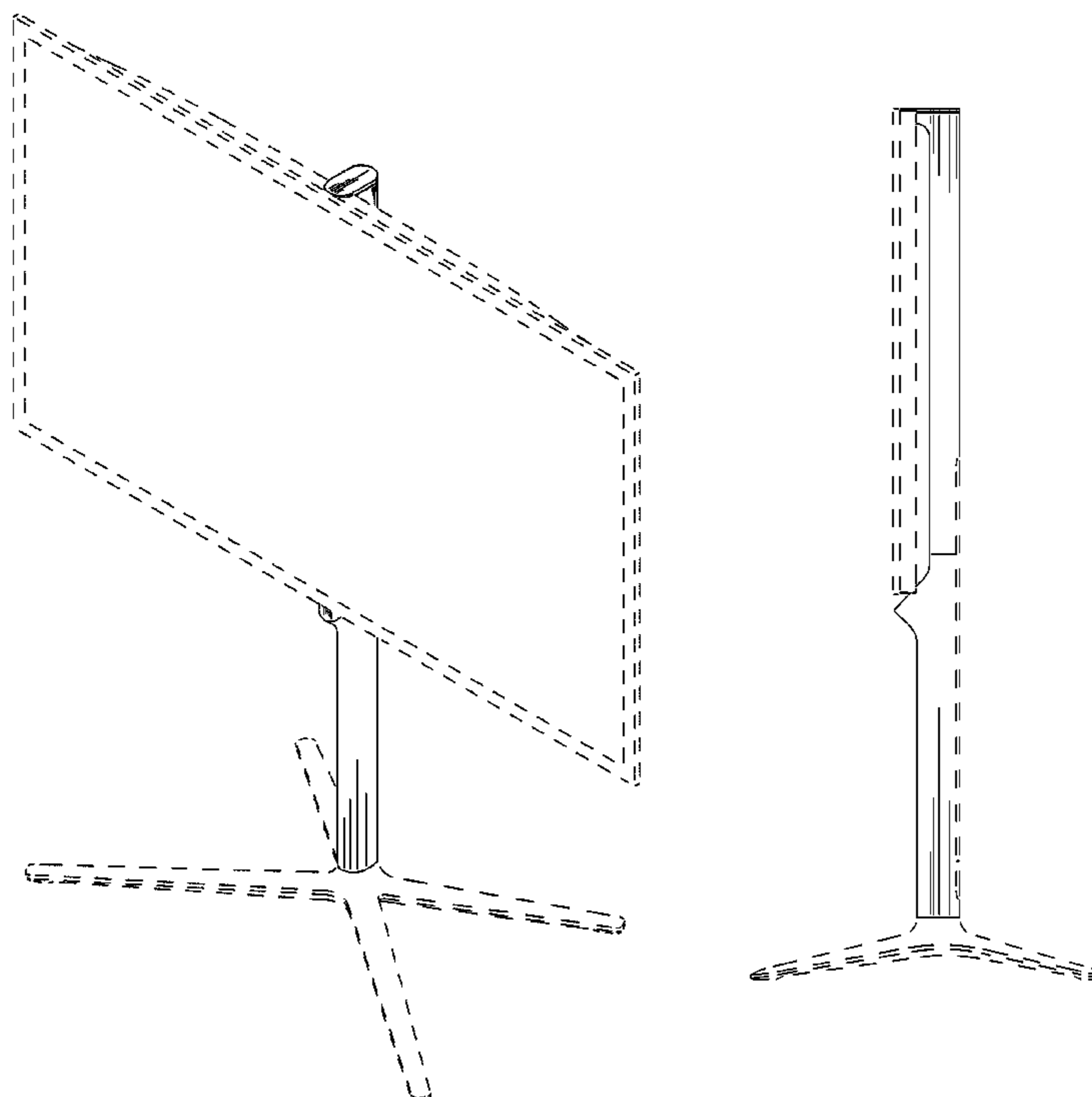


FIG.1

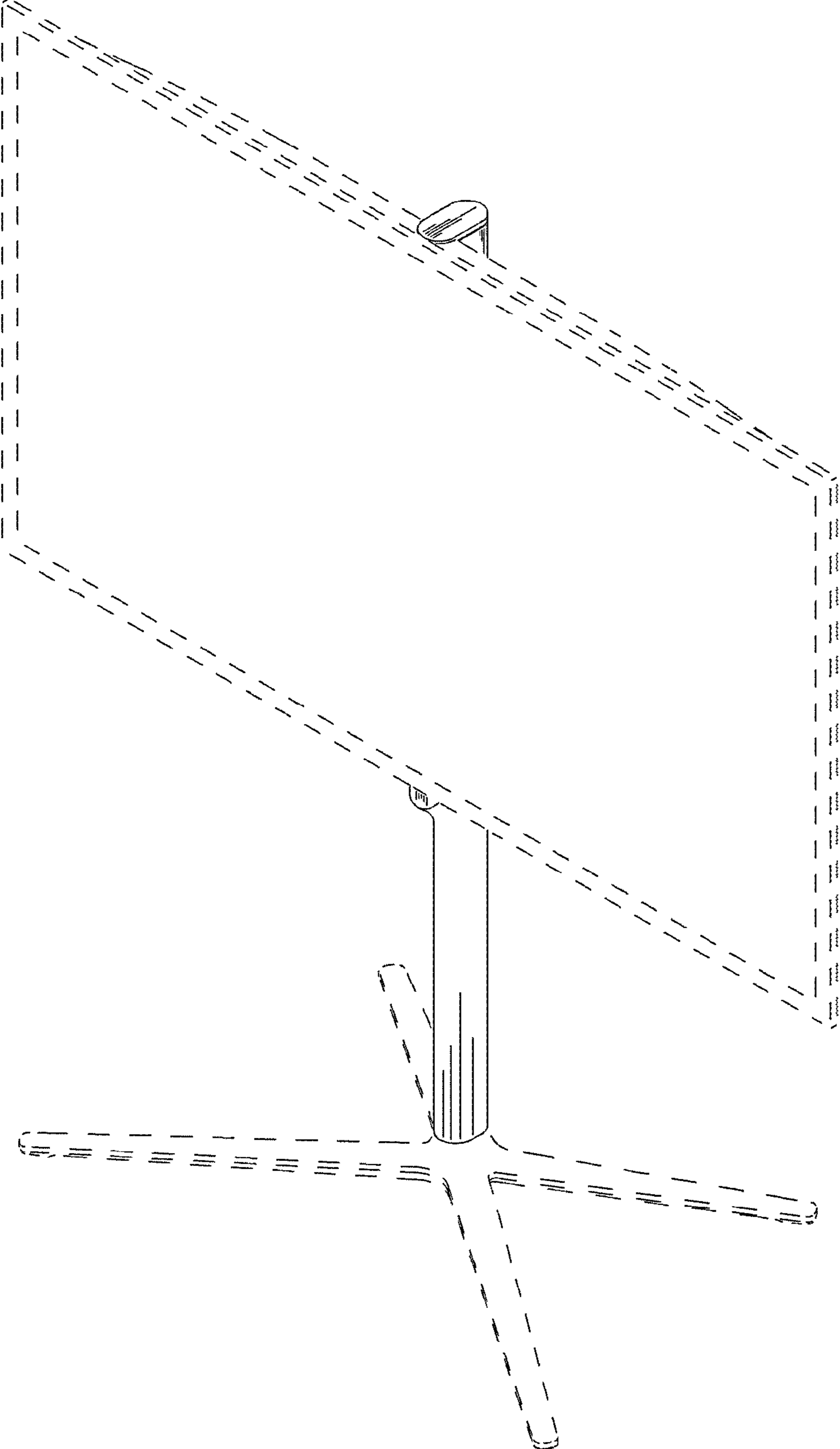


FIG.2

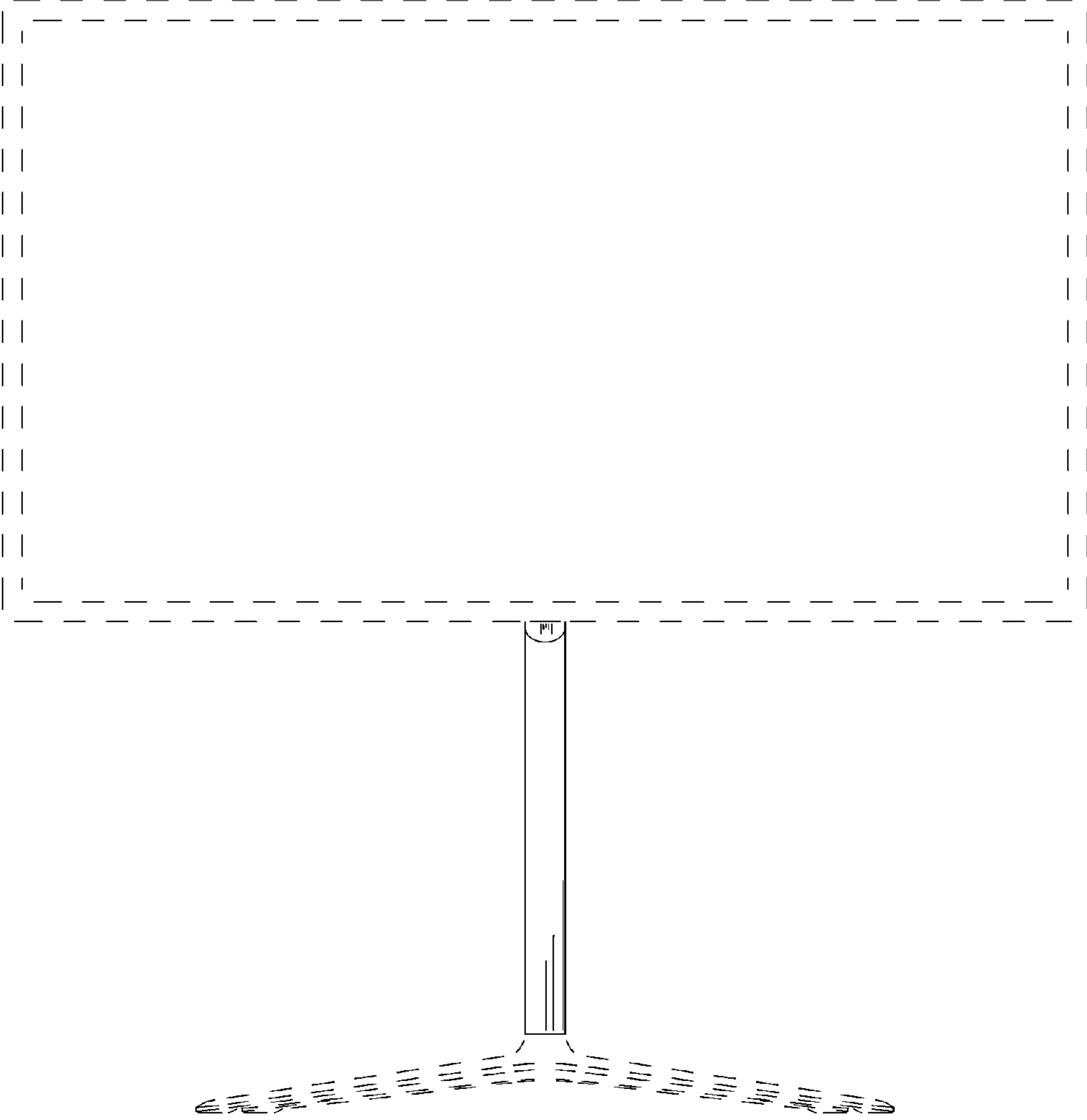


FIG.3

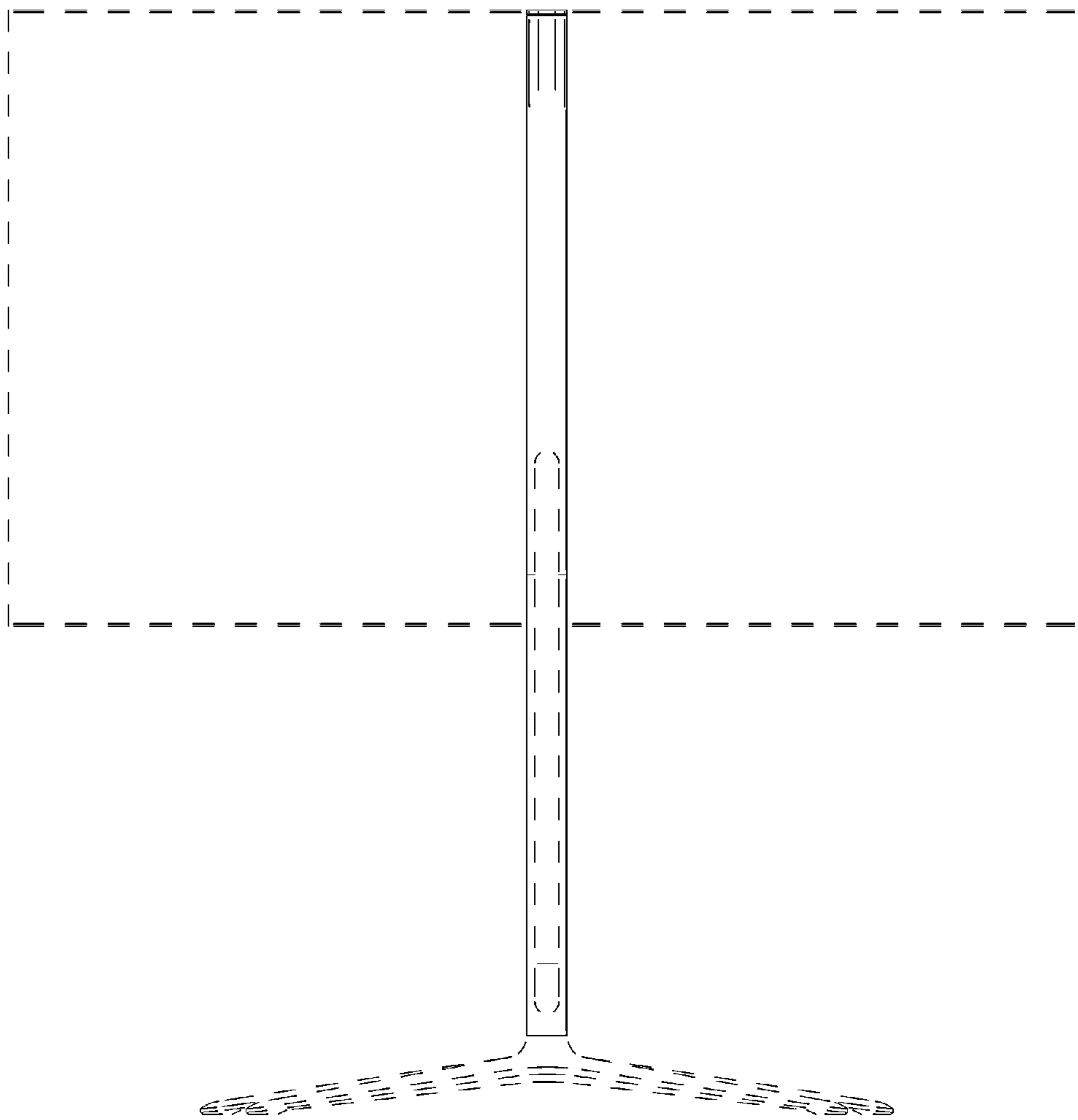


FIG.4

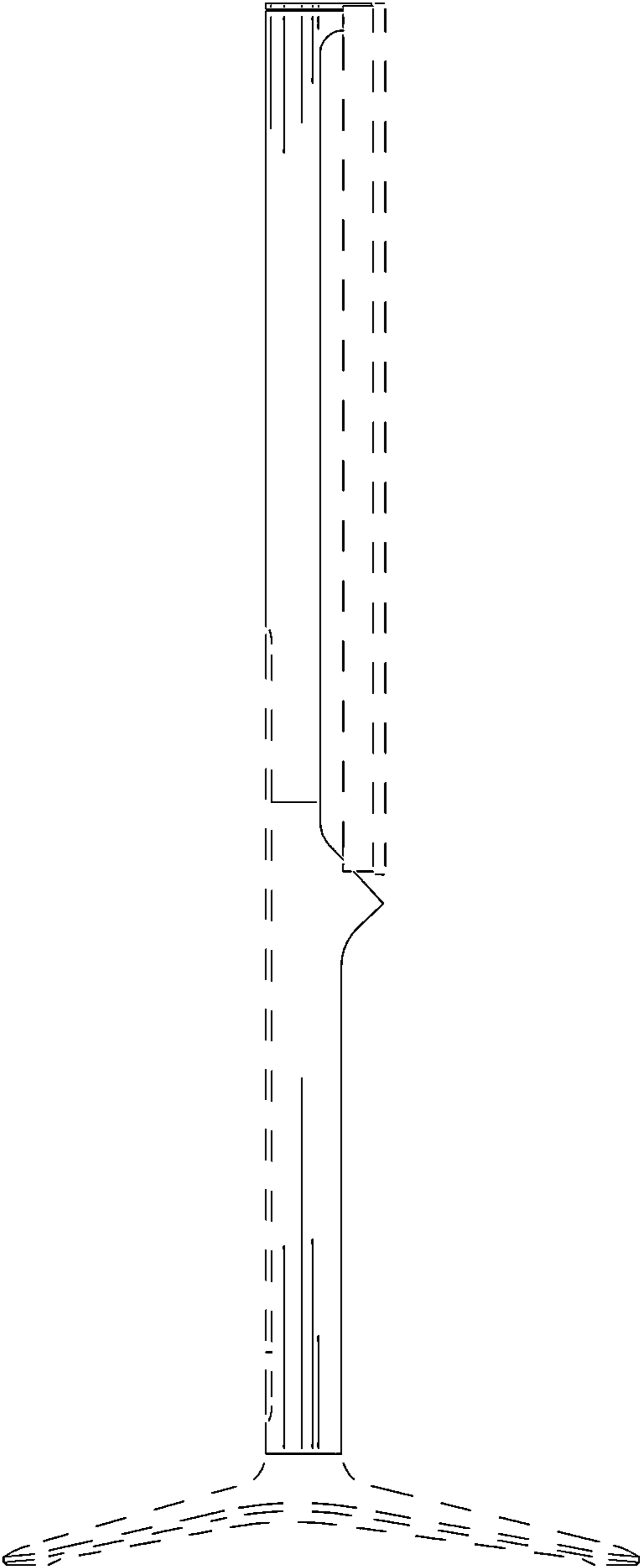


FIG.5

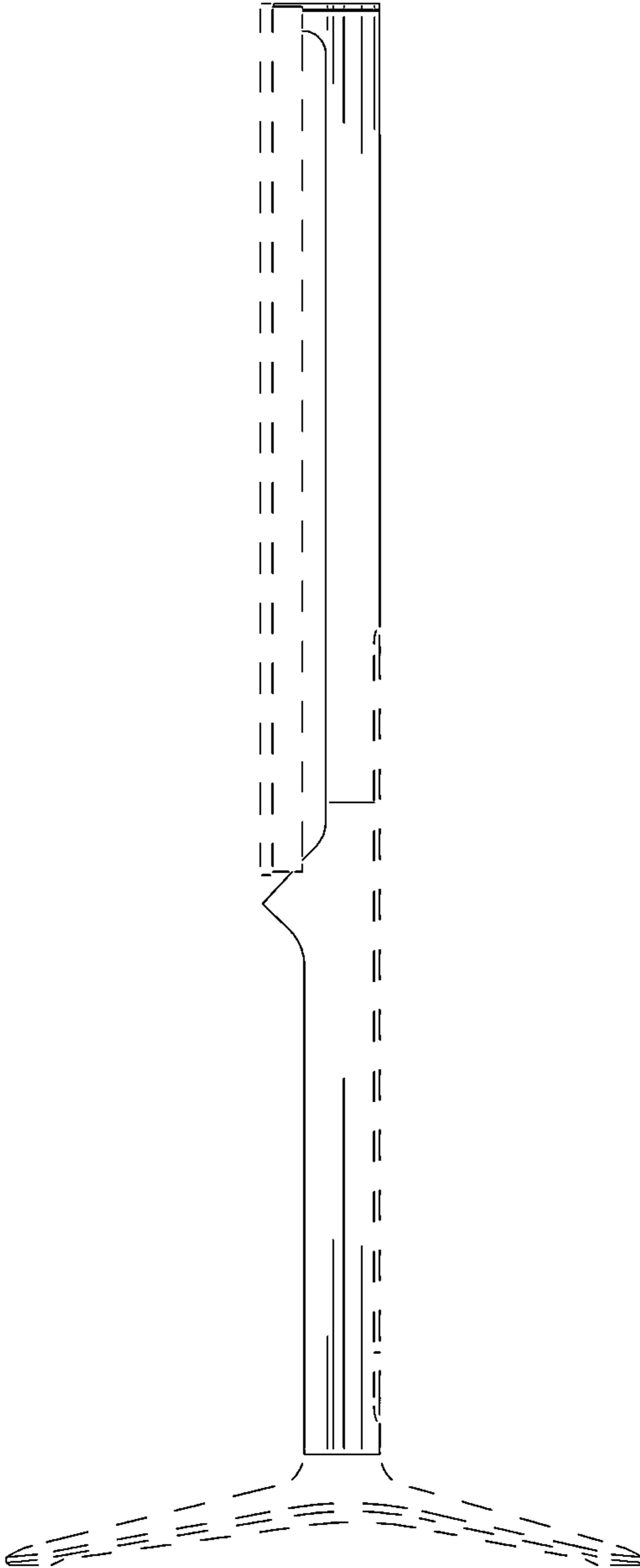


FIG.6

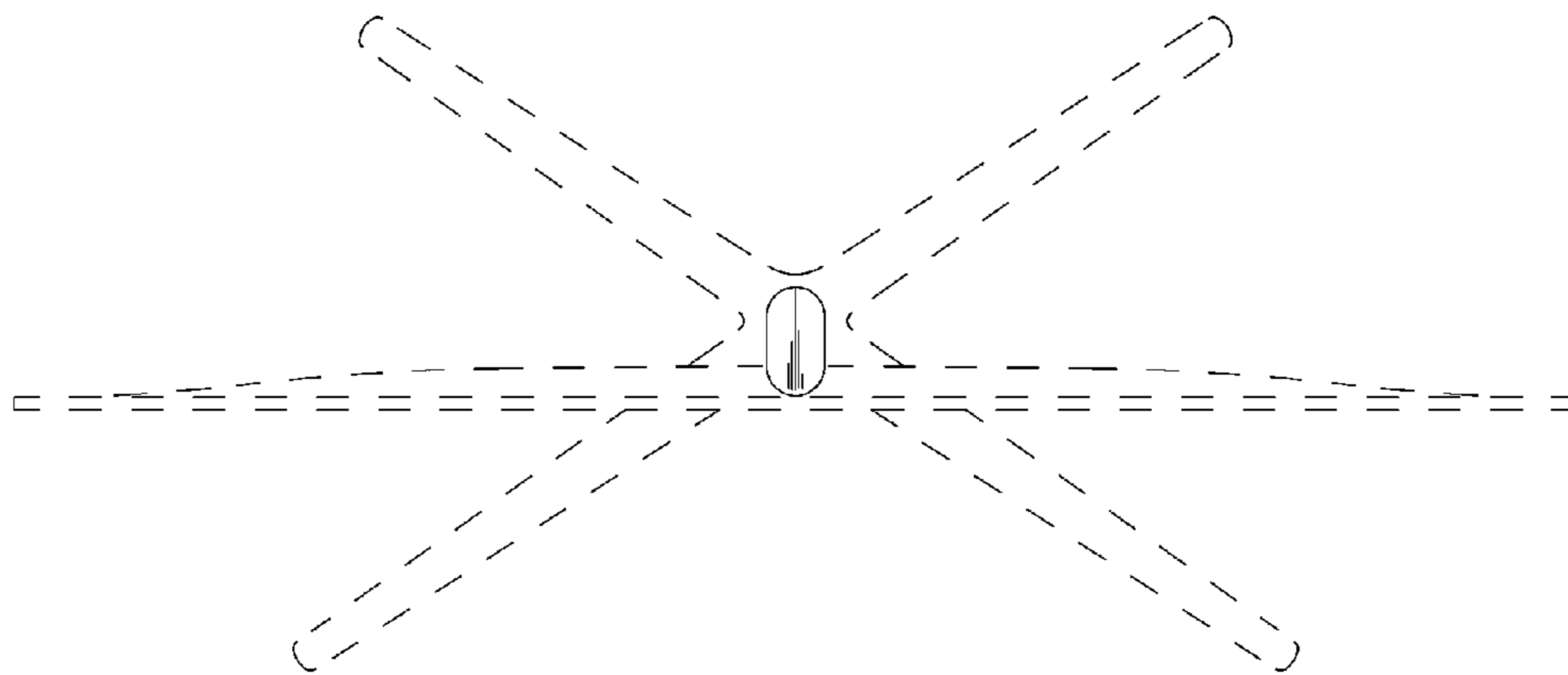


FIG.7

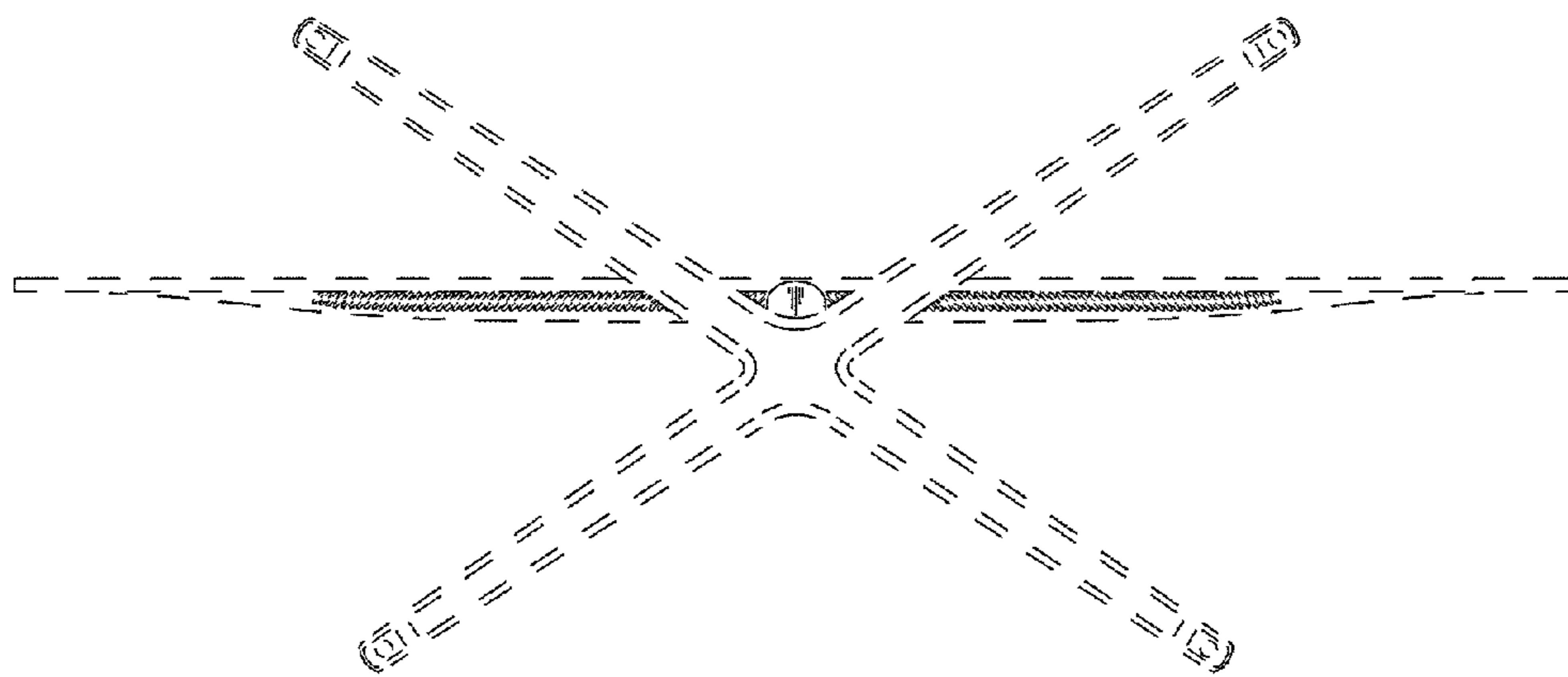


FIG.8

