



US00D720307S

(12) **United States Design Patent**  
**Freeman**

(10) **Patent No.:** **US D720,307 S**

(45) **Date of Patent:** **\*\* Dec. 30, 2014**

(54) **LED MODULE**

(71) Applicant: **Glenn Freeman**, San Antonio, TX (US)

(72) Inventor: **Glenn Freeman**, San Antonio, TX (US)

(73) Assignee: **General LED, Inc.**, San Antonio, TX (US)

(\*\*) Term: **14 Years**

(21) Appl. No.: **29/473,385**

(22) Filed: **Nov. 21, 2013**

(51) **LOC (10) Cl.** ..... **13-03**

(52) **U.S. Cl.**  
USPC ..... **D13/180**

(58) **Field of Classification Search**

CPC ... H01L 25/167; H01L 25/0753; H01L 27/15;  
H01L 27/56; H01L 31/02; H01L 33/00;  
H01L 33/04; H01L 33/08; H01L 33/10;  
H01L 33/20; H01L 33/38; H01L 33/42;  
H01L 33/483; H01L 33/486

USPC ..... D13/180; D26/1; 257/79, 80, 81, 88,  
257/89, 95, 98, 99, 100, E33.058; 313/483,  
313/498, 500; 362/249.01, 49.02, 555

See application file for complete search history.

(56) **References Cited**

**U.S. PATENT DOCUMENTS**

6,188,527 B1 \* 2/2001 Bohn ..... 359/710  
6,501,084 B1 \* 12/2002 Sakai et al. .... 250/504 R  
D497,883 S \* 11/2004 Wedig et al. .... D13/180  
6,932,495 B2 \* 8/2005 Sloan et al. .... 362/294  
7,044,620 B2 \* 5/2006 Van Duyn ..... 362/294  
7,140,751 B2 \* 11/2006 Lin ..... 362/249.02  
D566,059 S \* 4/2008 Tanaka ..... D13/180

D575,246 S \* 8/2008 Fuwa et al. .... D13/180  
D578,492 S \* 10/2008 Xu ..... D13/180  
D594,576 S \* 6/2009 Chan et al. .... D26/1  
D623,149 S \* 9/2010 Peifer ..... D13/180  
7,887,218 B2 \* 2/2011 Wang ..... 362/240  
8,132,935 B2 \* 3/2012 Park et al. .... 362/235  
8,136,977 B2 \* 3/2012 Chiang et al. .... 362/631  
D663,048 S \* 7/2012 Chen ..... D26/1  
8,246,218 B2 \* 8/2012 Gu et al. .... 362/311.02  
D703,841 S \* 4/2014 Feng et al. .... D26/1  
D708,360 S \* 7/2014 Shibata et al. .... D26/1  
2003/0193803 A1 \* 10/2003 Lin ..... 362/250  
2004/0223328 A1 \* 11/2004 Lee et al. .... 362/249  
2006/0092637 A1 \* 5/2006 Yeh ..... 362/249

\* cited by examiner

*Primary Examiner* — Selina Sikder

(74) *Attorney, Agent, or Firm* — Alan R. Thiele; Rosenthal Pauerstein Sandoloski Agather LLP

(57) **CLAIM**

I claim the ornamental design for an LED module, as shown and described.

**DESCRIPTION**

FIG. 1 is a perspective view of an LED module showing my new design;

FIG. 2 is a top plan view thereof;

FIG. 3 is a front elevational view thereof;

FIG. 4 is a bottom plan view thereof;

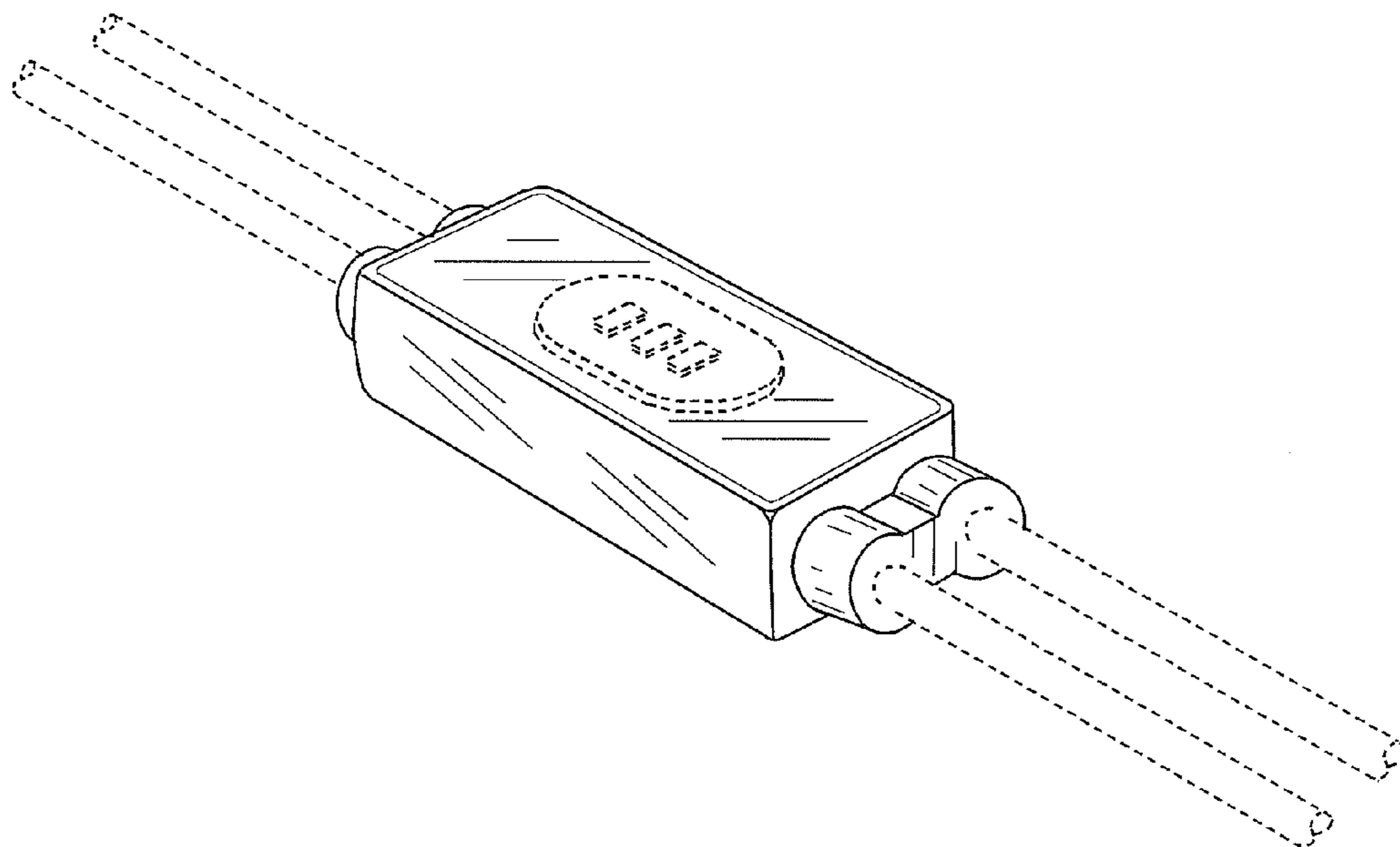
FIG. 5 is a rear elevational view thereof;

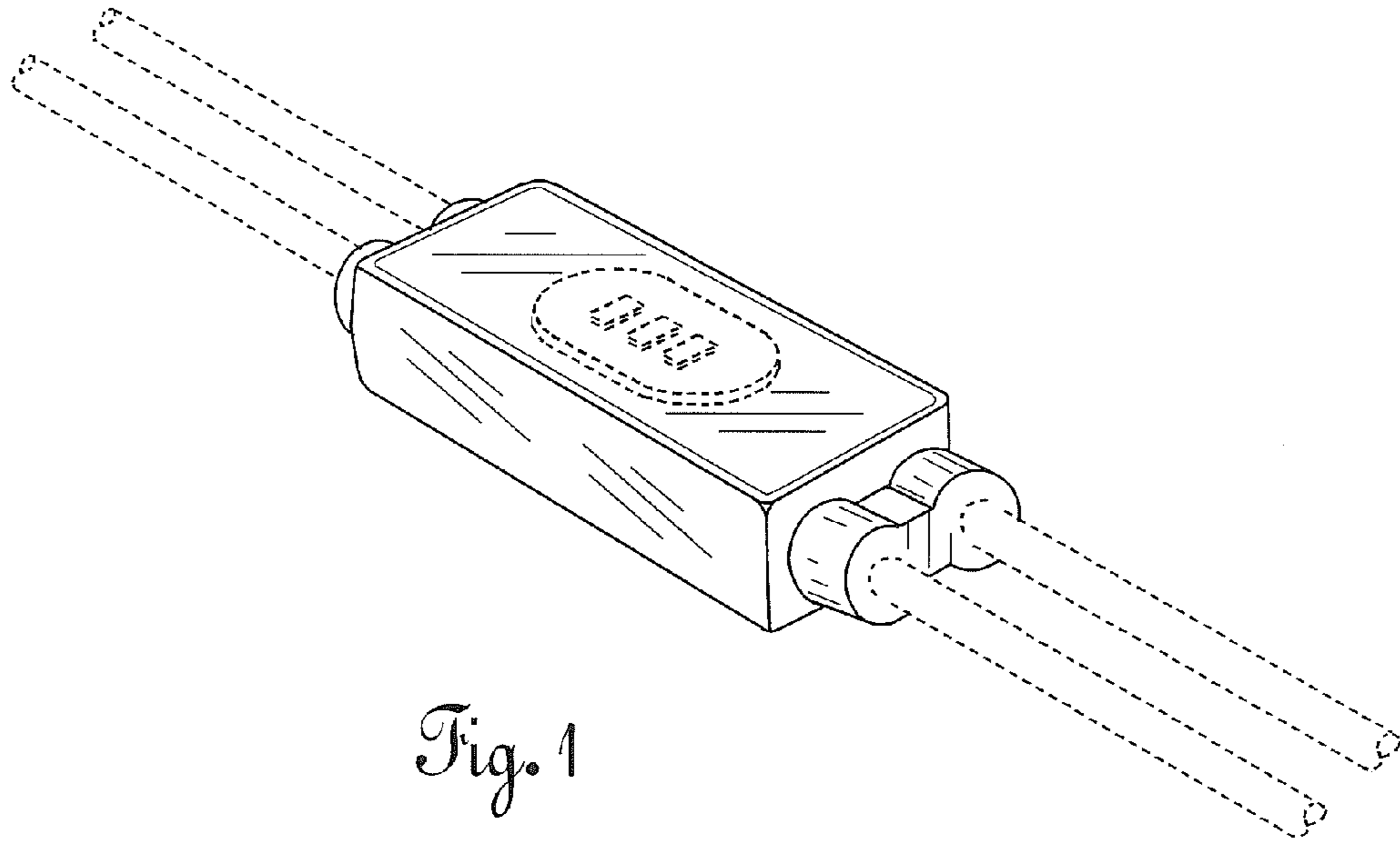
FIG. 6 is a left side elevational view thereof; and,

FIG. 7 is a right side elevational view thereof.

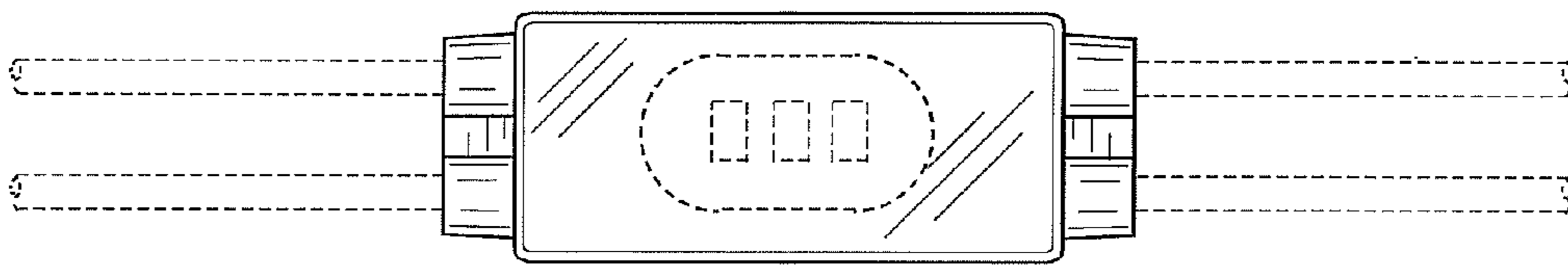
The broken lines shown on the drawing views is for the purpose of illustrating environmental structure and forms no part of the claimed design.

**1 Claim, 2 Drawing Sheets**





*Fig. 1*



*Fig. 2*

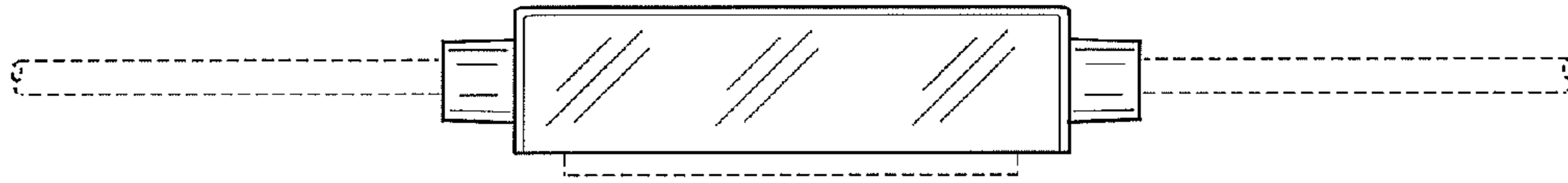


Fig. 3

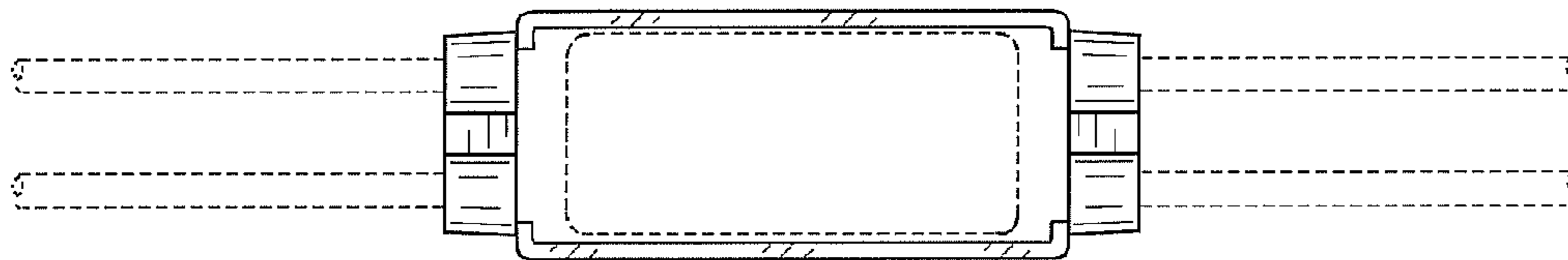


Fig. 4

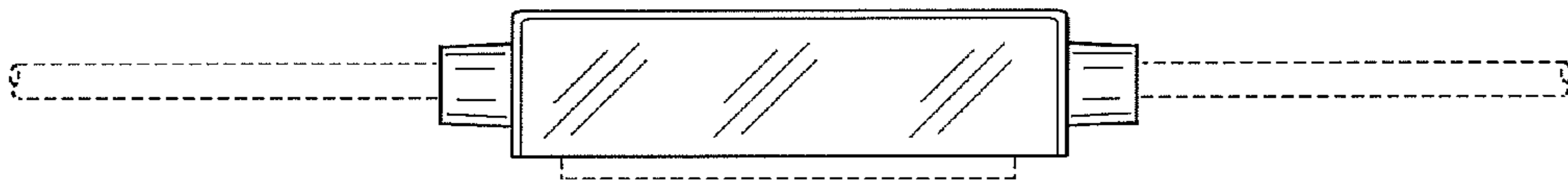


Fig. 5

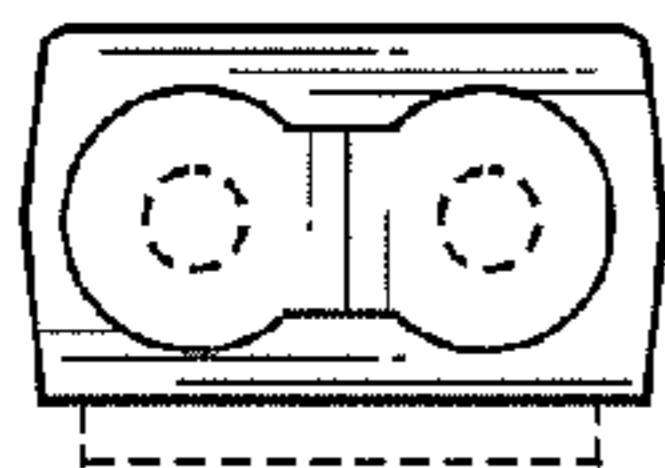


Fig. 6

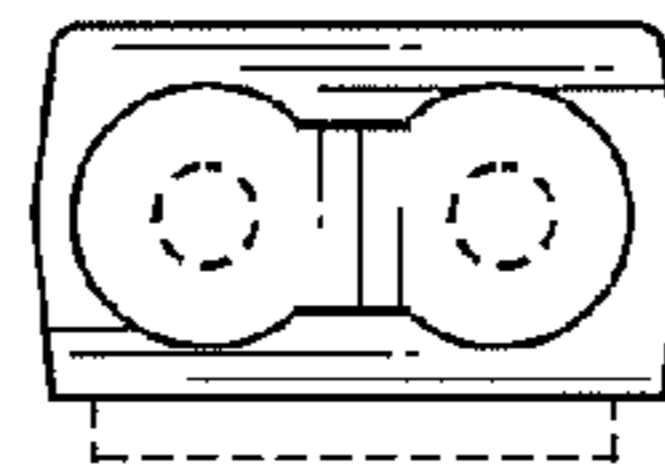


Fig. 7