



US00D720305S

(12) **United States Design Patent**
Wenji

(10) **Patent No.:** **US D720,305 S**

(45) **Date of Patent:** **** Dec. 30, 2014**

(54) **CONTROLLER FOR SMART FURNITURE**

(71) Applicant: **eMoMo Technology Co., Ltd.**, Baoan,
Shenzhen (CN)

(72) Inventor: **Tang Wenji**, Shenzhen (CN)

(73) Assignee: **eMoMo Technology Co., Ltd.**,
Shenzhen (CN)

(**) Term: **14 Years**

(21) Appl. No.: **29/462,906**

(22) Filed: **Aug. 9, 2013**

(51) **LOC (10) Cl.** **13-03**

(52) **U.S. Cl.**
USPC **D13/174**

(58) **Field of Classification Search**
USPC D13/167, 171, 174; 307/139, 157;
315/209 R, 224, 246, 291, 294, 295;
200/5 R, 5 A, 302.2, 520, 530, 293, 296,
200/308, 310, 314, 329, 341
See application file for complete search history.

D550,304 S *	9/2007	Luciano et al.	D21/385
D556,268 S *	11/2007	Luciano et al.	D21/385
7,378,605 B2 *	5/2008	Lo	200/5 R
7,470,869 B2 *	12/2008	Lin	200/341
D584,384 S *	1/2009	Schonherr et al.	D23/254
7,820,924 B2 *	10/2010	Stilley et al.	200/5 R
8,071,899 B2 *	12/2011	Lo	200/296
D654,880 S *	2/2012	Lam	D13/174
D685,333 S	7/2013	Beroukas et al.		
D691,098 S *	10/2013	Li et al.	D13/174
D691,099 S *	10/2013	Li et al.	D13/174
D691,971 S *	10/2013	Li et al.	D13/174
D692,401 S *	10/2013	Li et al.	D13/174
D692,841 S *	11/2013	Li et al.	D13/174
D700,150 S *	2/2014	Li et al.	D13/174
D707,640 S *	6/2014	Li et al.	D13/174
2005/0126900 A1 *	6/2005	Wang	200/341
2010/0116629 A1 *	5/2010	Borissov et al.	200/4
2011/0108403 A1 *	5/2011	Kukita	200/341

* cited by examiner

Primary Examiner — Selina Sikder

(74) *Attorney, Agent, or Firm* — Bass, Berry & Sims PLC

(57) **CLAIM**

The ornamental design for a controller for smart furniture, as shown and described.

DESCRIPTION

FIG. 1 is a top perspective view of an embodiment of a controller for smart furniture showing my new design; FIG. 2 is a top plan view thereof; FIG. 3 is a bottom plan view thereof; FIG. 4 is a front side view thereof; FIG. 5 is a left side view thereof; and, FIG. 6 is a right side view thereof. The broken lines in FIG. 3 do not form a part of the claimed design.

1 Claim, 5 Drawing Sheets

(56) **References Cited**

U.S. PATENT DOCUMENTS

D305,022 S *	12/1989	Hallgren et al.	D13/171
D317,137 S *	5/1991	Kulikowski et al.	D10/108
D421,966 S *	3/2000	Allen et al.	D13/174
6,087,605 A *	7/2000	Heidenfels et al.	200/345
D440,947 S *	4/2001	Culberson et al.	D13/171
D463,381 S *	9/2002	Westermann	D13/167
D469,411 S *	1/2003	Decosse	D13/174
D496,336 S *	9/2004	Wang	D13/171
6,800,819 B2 *	10/2004	Sato et al.	200/5 R
D550,298 S *	9/2007	Luciano et al.	D21/385
D550,301 S *	9/2007	Luciano et al.	D21/385

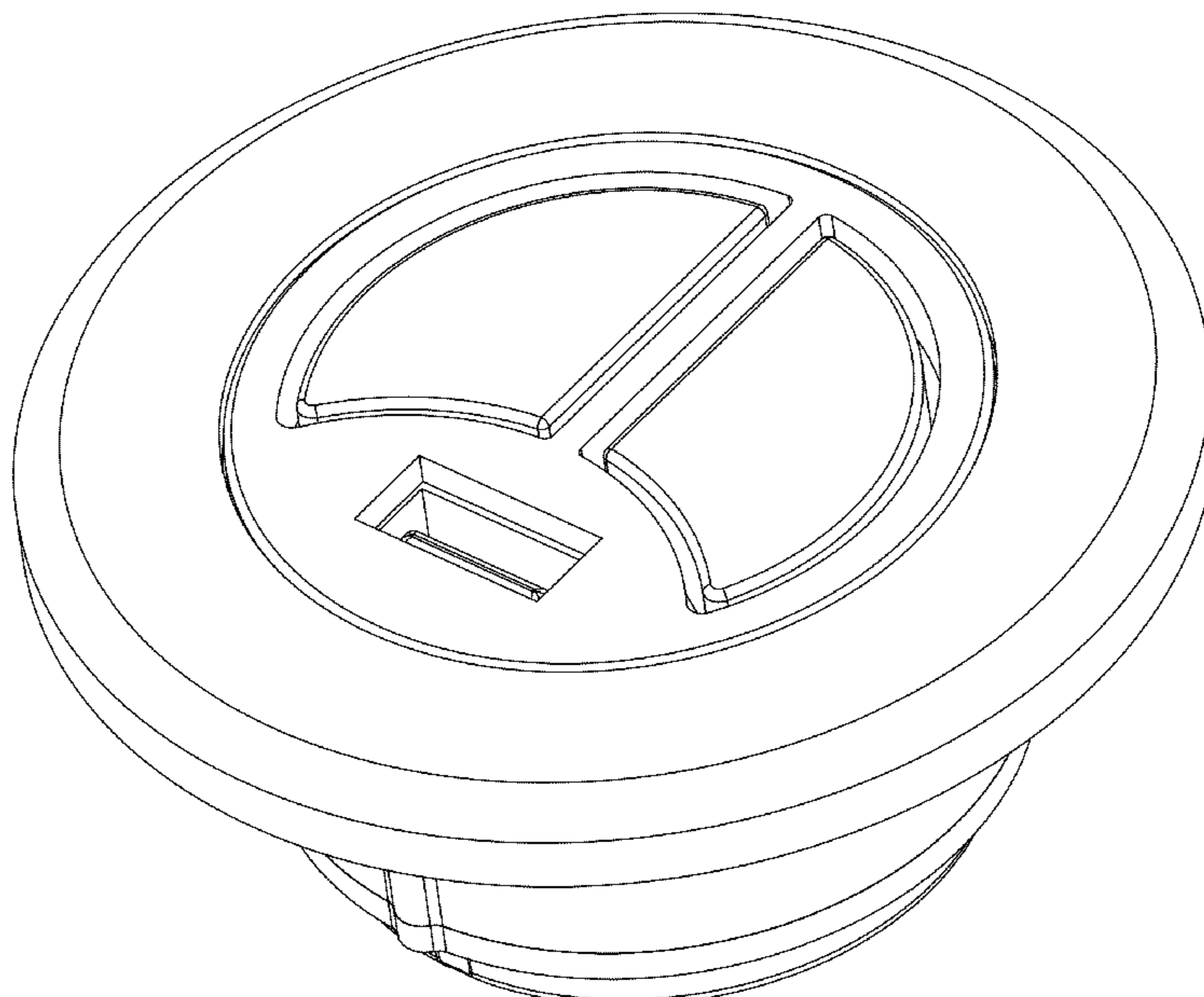


FIG. 1

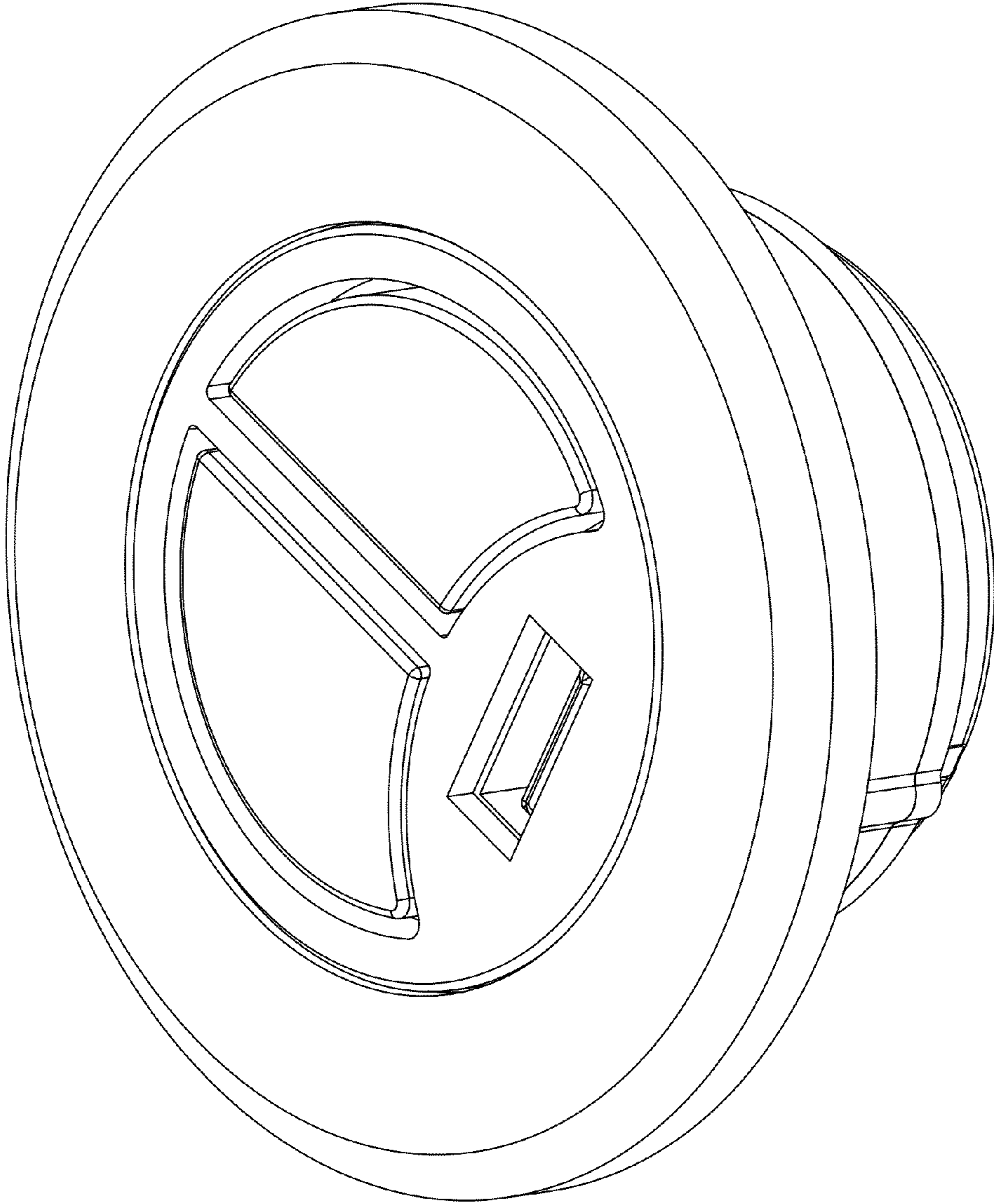


FIG. 2

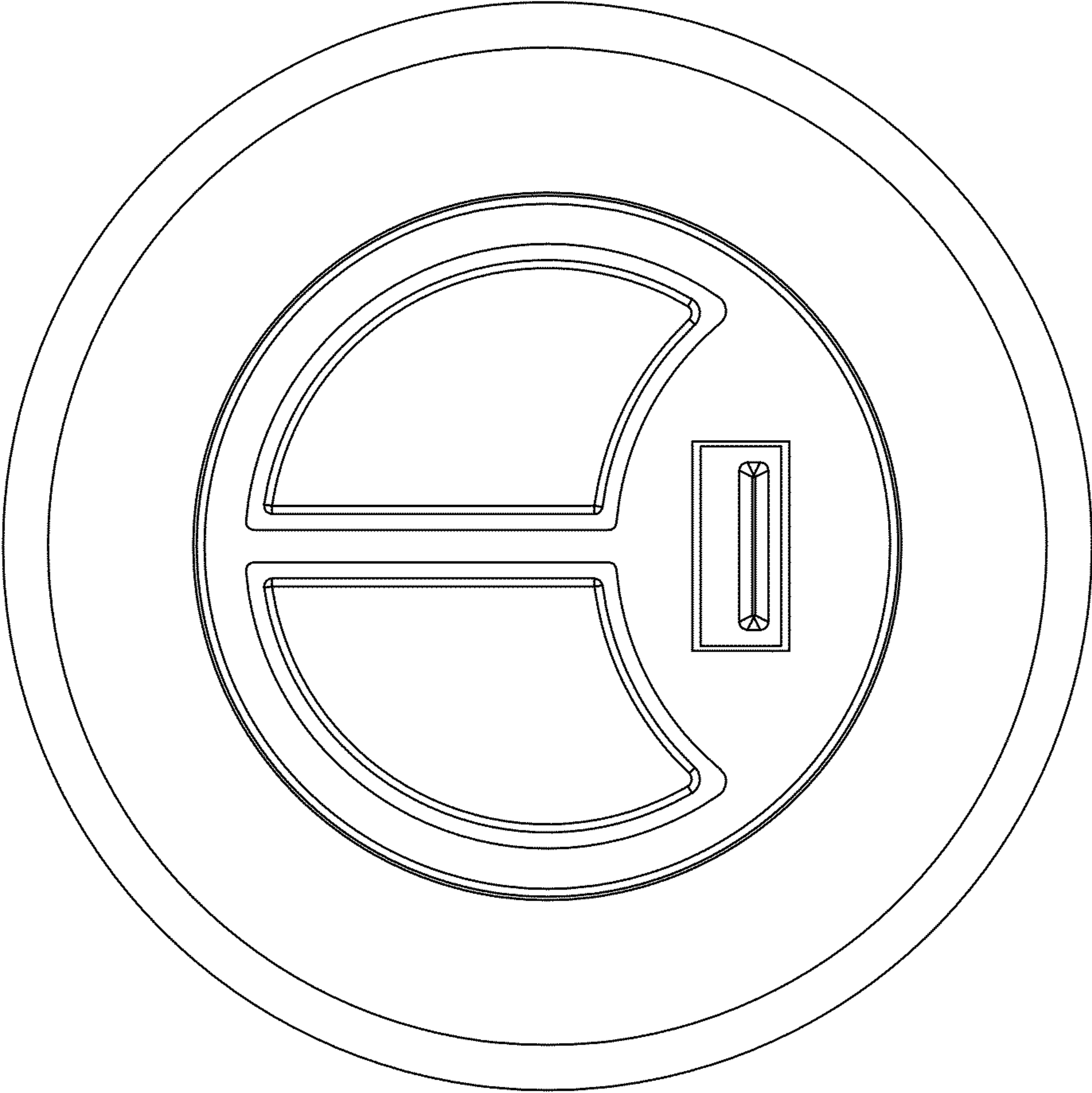


FIG. 3

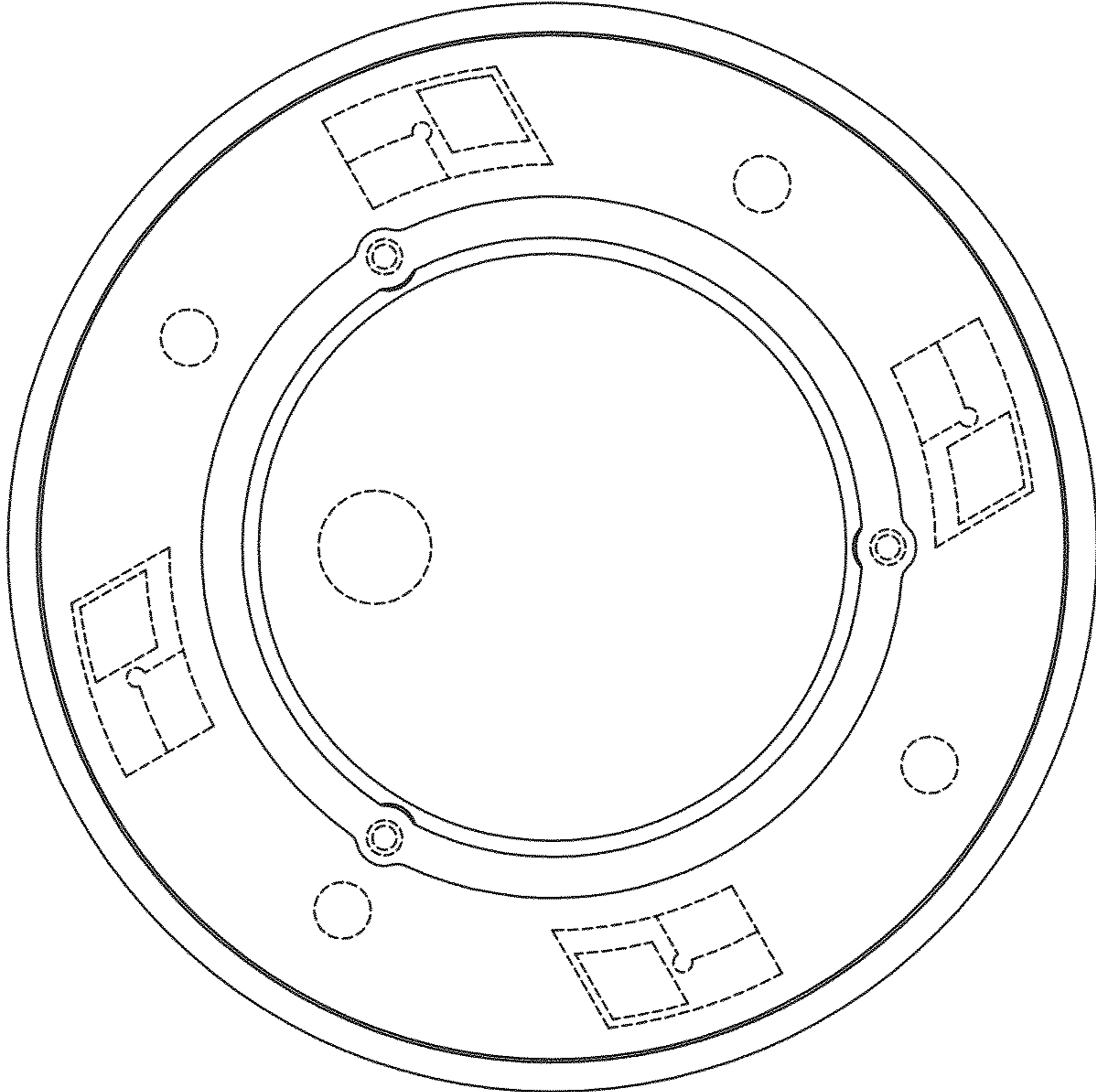


FIG. 4

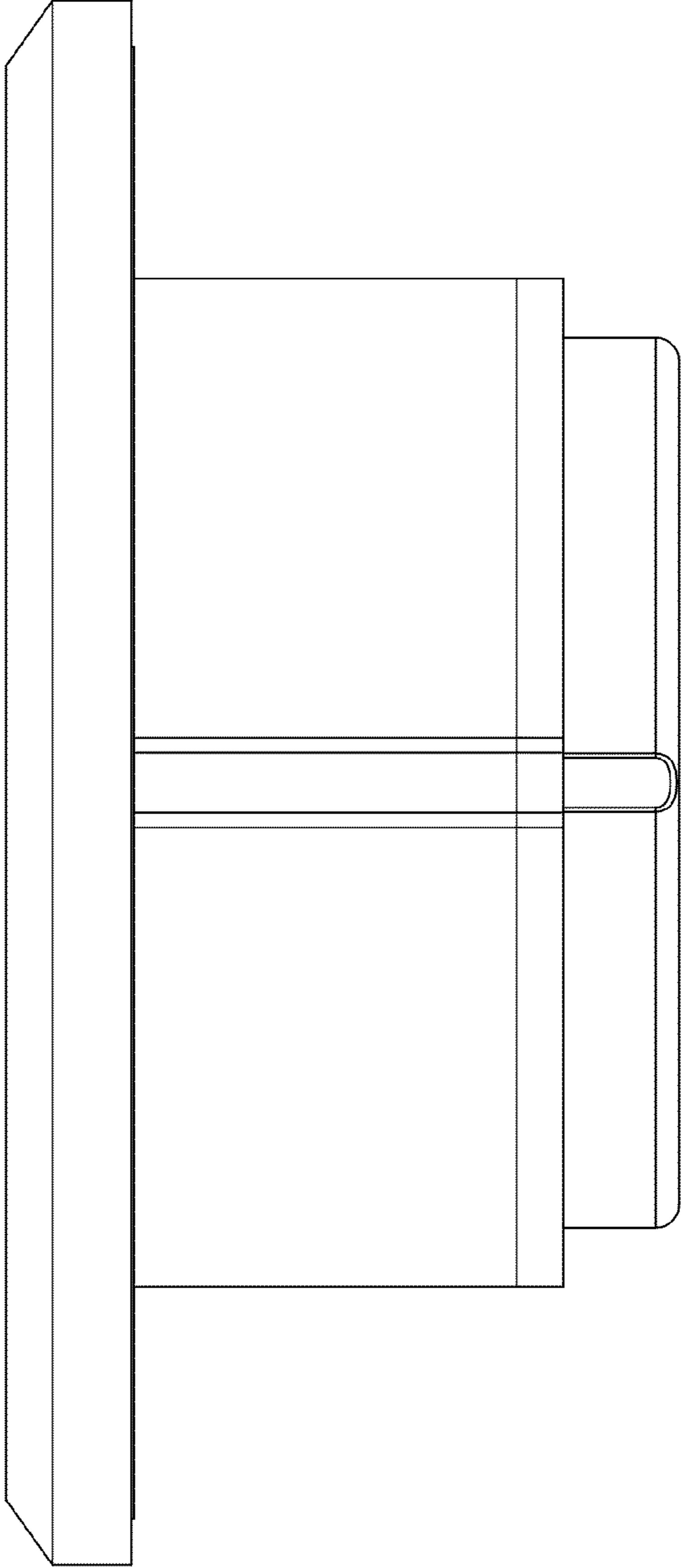


FIG. 5

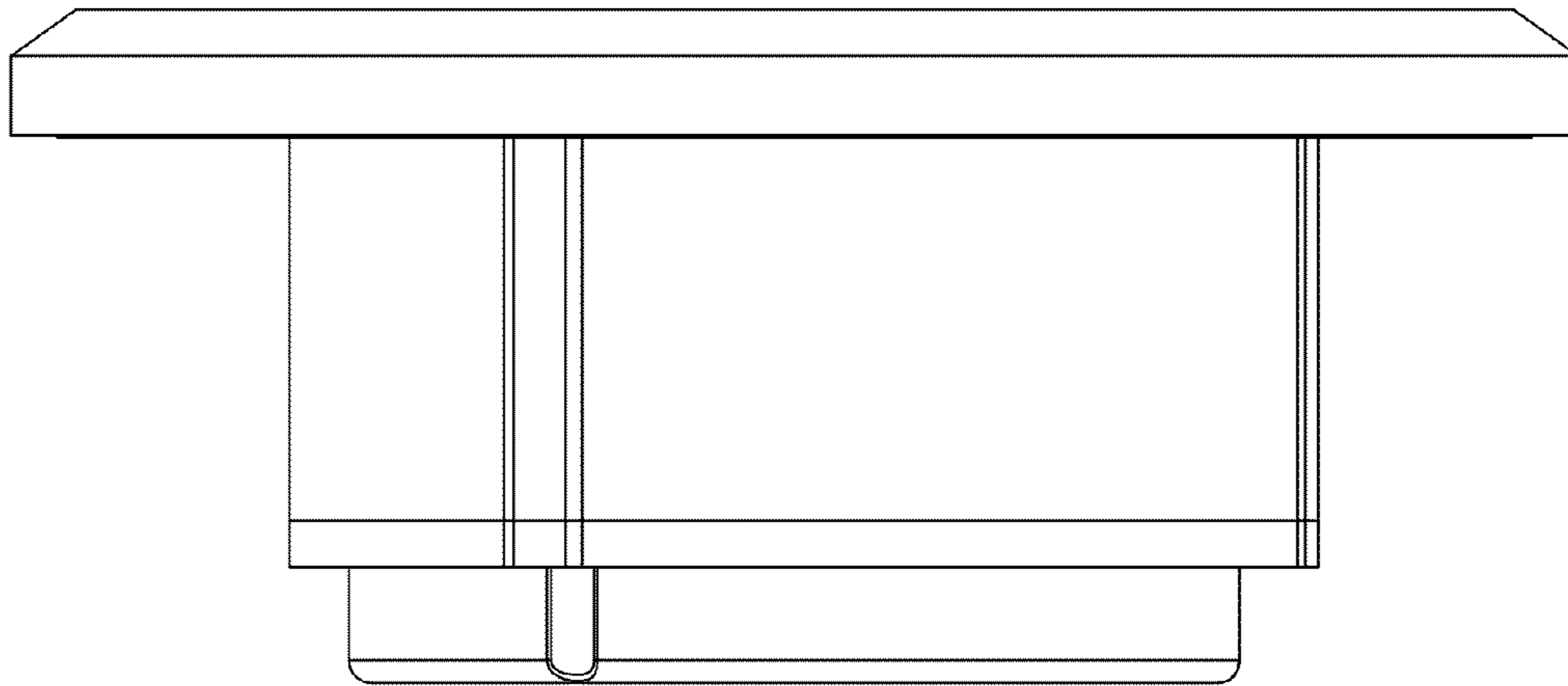


FIG. 6

