



US00D720303S

(12) **United States Design Patent**
Fischer

(10) **Patent No.:** **US D720,303 S**

(45) **Date of Patent:** **** Dec. 30, 2014**

(54) **CONTROLLER**

(71) Applicant: **Webasto SE**, Stockdorf (DE)

(72) Inventor: **Jens Fischer**, Kissing (DE)

(73) Assignee: **Webasto SE**, Stockdorf (DE)

(**) Term: **14 Years**

(21) Appl. No.: **29/475,633**

(22) Filed: **Dec. 4, 2013**

(51) **LOC (10) Cl.** **13-03**

(52) **U.S. Cl.**
USPC **D13/162**

(58) **Field of Classification Search**

USPC D13/162, 164, 168; D10/49; D23/208;
200/293, 308, 314; 174/66; 361/600,
361/601, 622, 679.01; 700/17, 65, 83
See application file for complete search history.

(56) **References Cited**

U.S. PATENT DOCUMENTS

D340,916 S * 11/1993 Imura D14/388
D435,522 S * 12/2000 Ohlwine et al. D13/162

(Continued)

Primary Examiner — Selina Sikder

(74) *Attorney, Agent, or Firm* — Fitch, Even, Tabin & Flanney LLP

(57) **CLAIM**

The ornamental design for a controller, substantially as shown and described.

DESCRIPTION

FIG. 1 is a perspective view of a first embodiment of a controller showing my (our) new design;

FIG. 2 is a top plan view of the controller of FIG. 1;

FIG. 3 is a bottom plan view of the controller of FIG. 1;

FIG. 4 is a rear elevational view of the controller of FIG. 1;

FIG. 5 is a front elevational view of the controller of FIG. 1;

FIG. 6 is a left side elevational view of the controller of FIG. 1;

FIG. 7 is a right side elevational view of the controller of FIG. 1;

FIG. 8 is a perspective view of a second embodiment of a controller showing my new design;

FIG. 9 is a top plan view of the controller of FIG. 8;

FIG. 10 is a bottom plan view of the controller of FIG. 8;

FIG. 11 is a rear elevational view of the controller of FIG. 8;

FIG. 12 is a front elevational view of the controller of FIG. 8;

FIG. 13 is a left side elevational view of the controller of FIG. 8;

FIG. 14 is a right side elevational view of the controller of FIG. 8;

FIG. 15 is a perspective view of a third embodiment of a controller showing my new design;

FIG. 16 is a top plan view of the controller of FIG. 15;

FIG. 17 is a bottom plan view of the controller of FIG. 15;

FIG. 18 is a rear elevational view of the controller of FIG. 15;

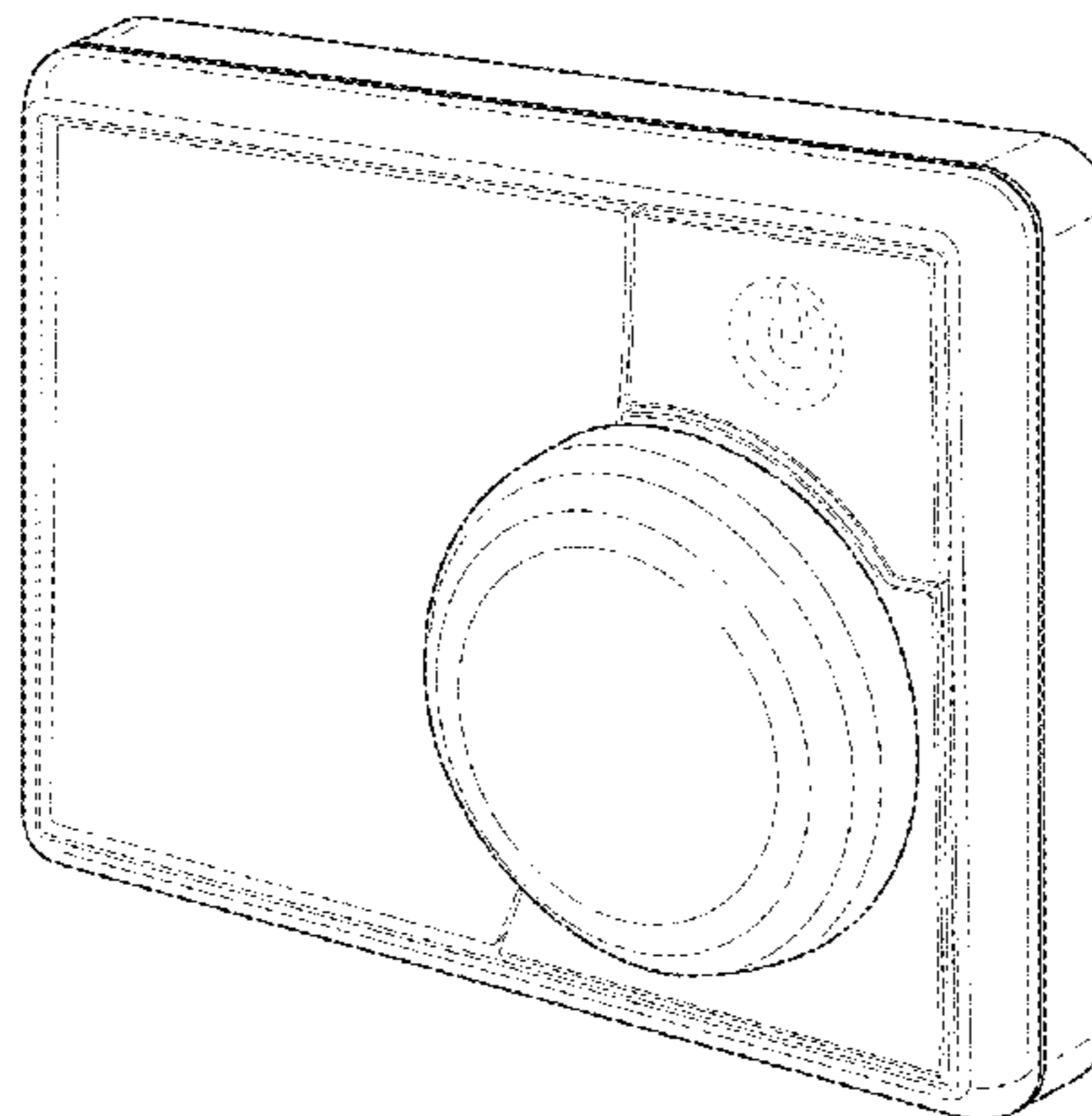
FIG. 19 is a front elevational view of the controller of FIG. 15;

FIG. 20 is a left side elevational view of the controller of FIG. 15; and,

FIG. 21 is a right side elevational view of the controller of FIG. 15.

The portions of the controller shown in broken lines in the figures are for illustrative purposes only and form no part of the claimed design. The controller is shown broken away in FIGS. 8-21 of the drawing to indicate indeterminate length, it being understood that it has a uniform shape and appearance through its length. The appearance of any portion of the controller between the break lines in the figures forms no part of the claimed design.

1 Claim, 9 Drawing Sheets



US D720,303 S

Page 2

(56)

References Cited

U.S. PATENT DOCUMENTS

D541,225 S * 4/2007 Katsuyama et al. D13/168
D549,184 S * 8/2007 Riley D13/164
D569,352 S * 5/2008 Gordon et al. D13/168

D574,332 S * 8/2008 Filban et al. D13/162
D603,807 S * 11/2009 Mehnert et al. D13/162
D669,865 S * 10/2012 Gilbert et al. D13/162
D691,966 S * 10/2013 Stossell D13/162
D691,968 S * 10/2013 Schmuckle et al. D13/162

* cited by examiner

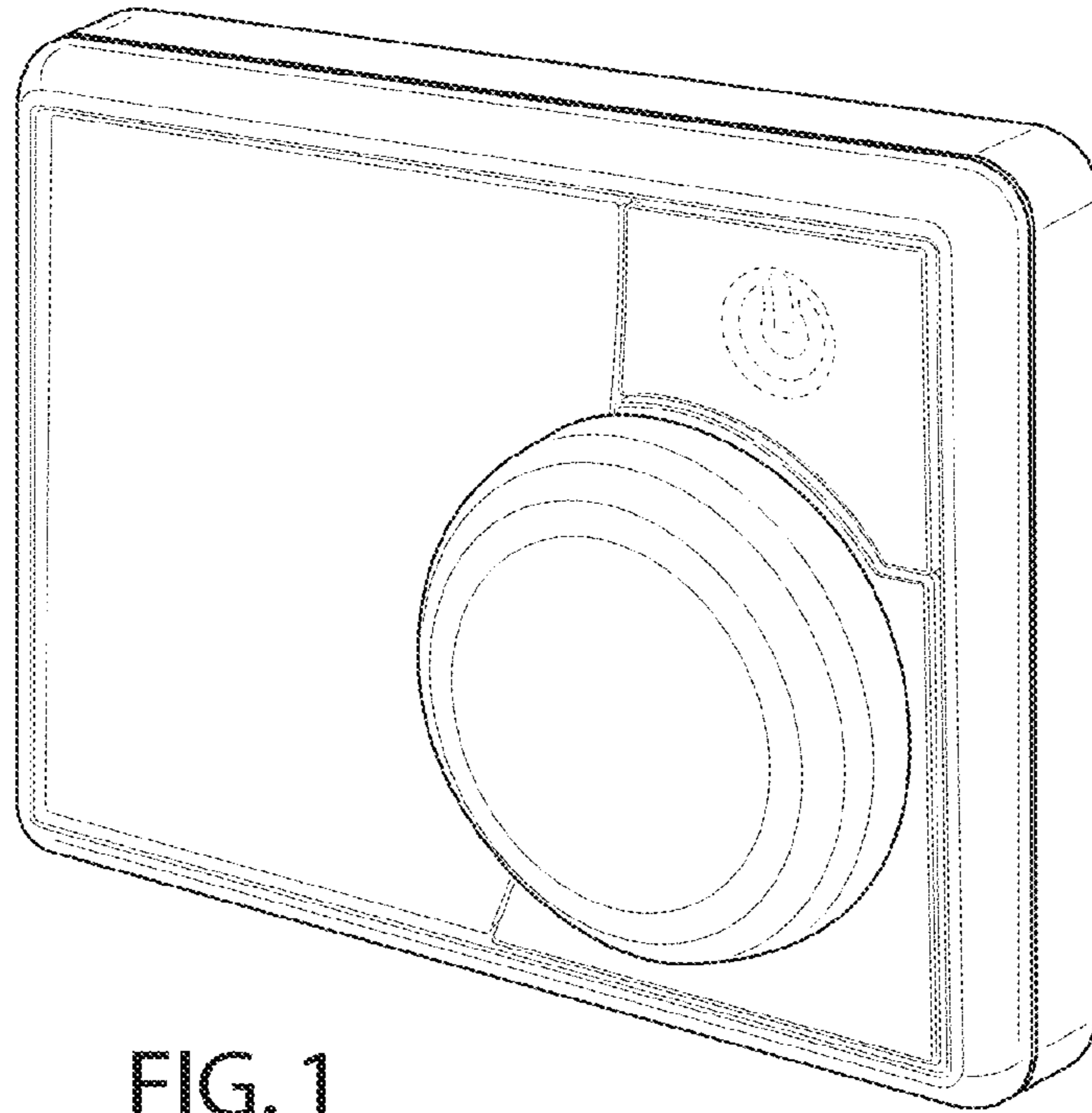


FIG. 1

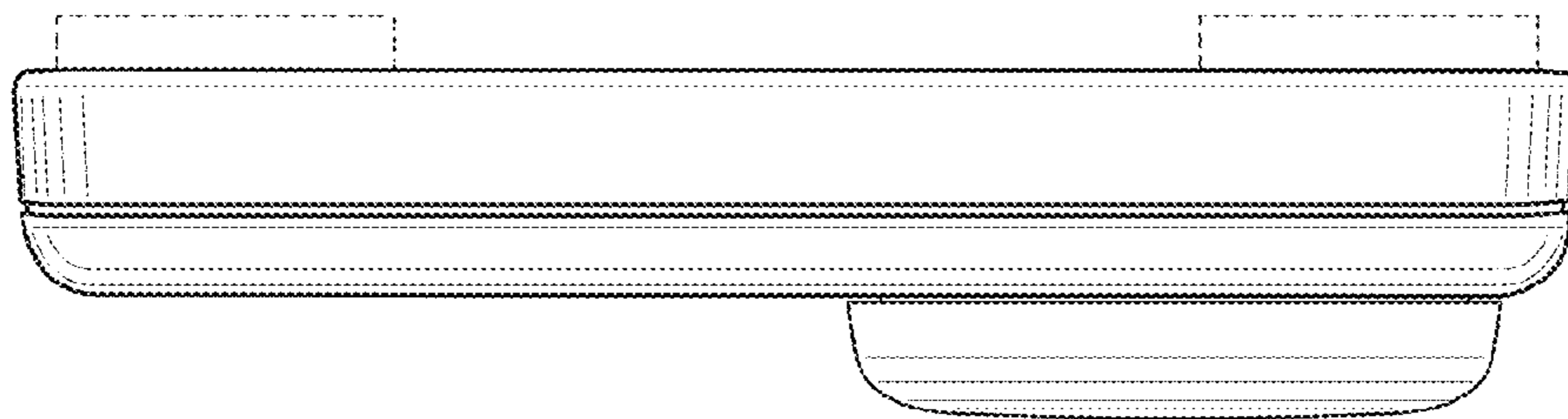


FIG. 2

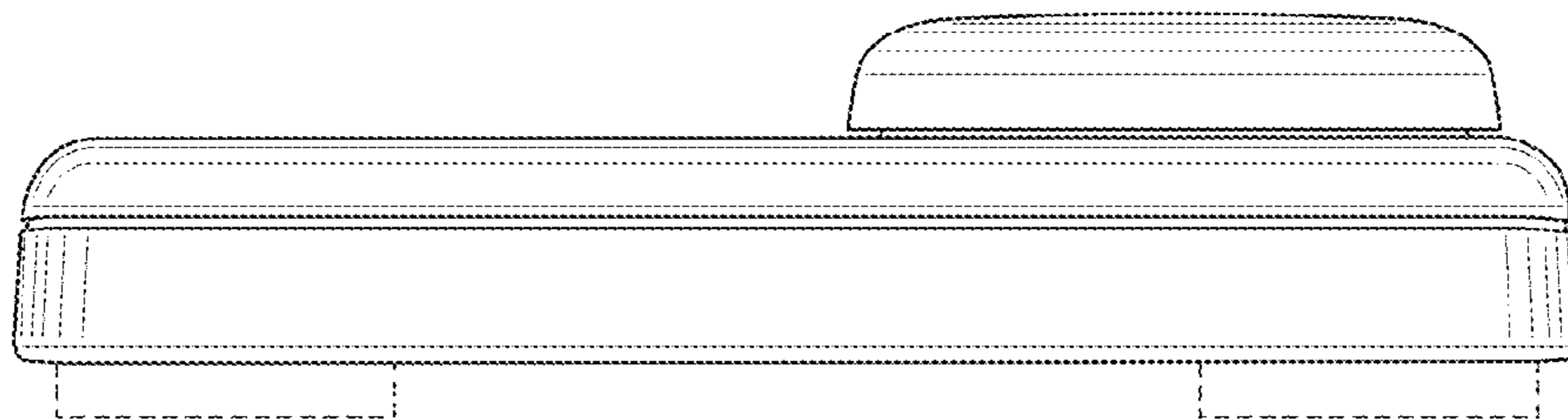


FIG. 3

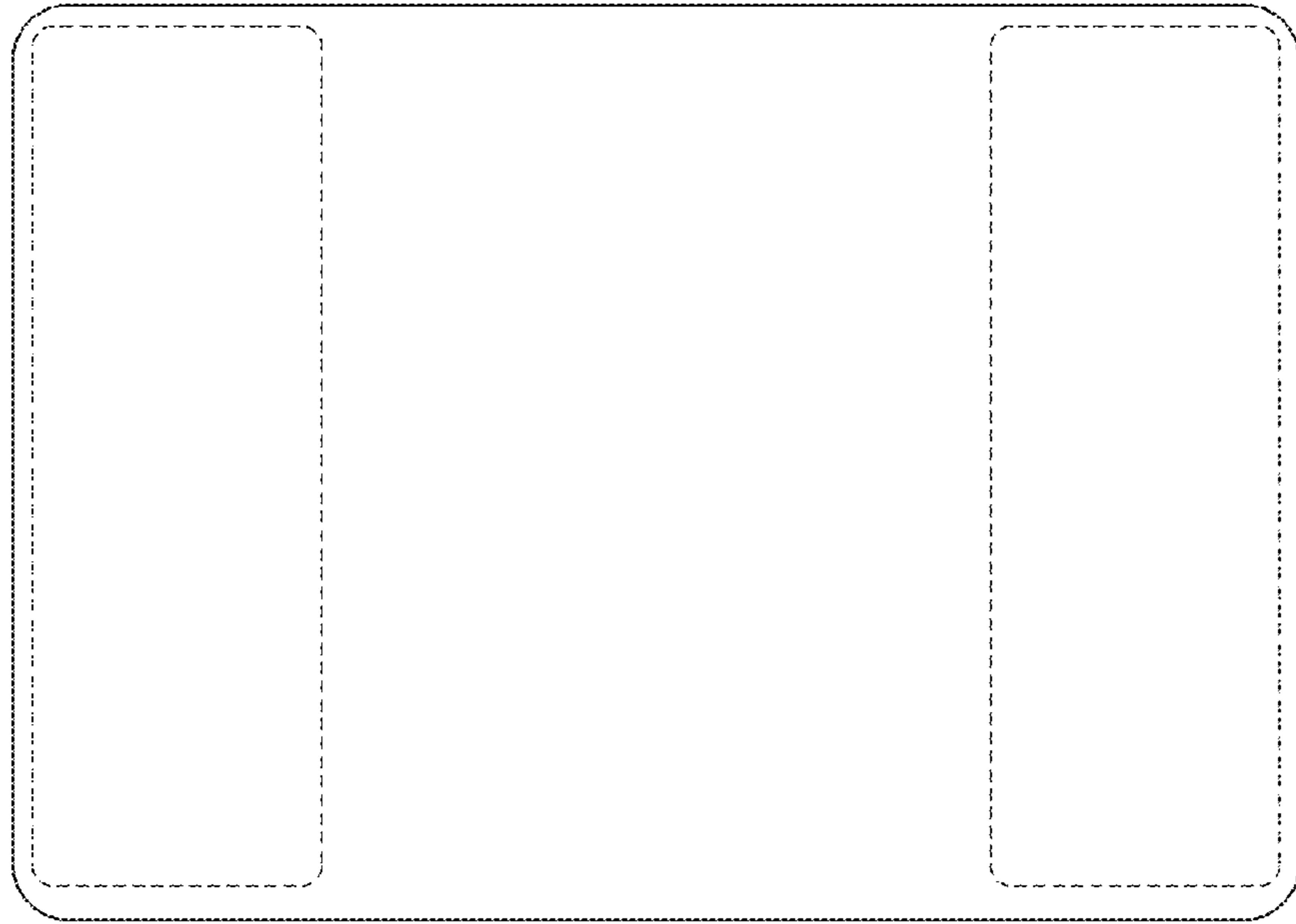


FIG. 4

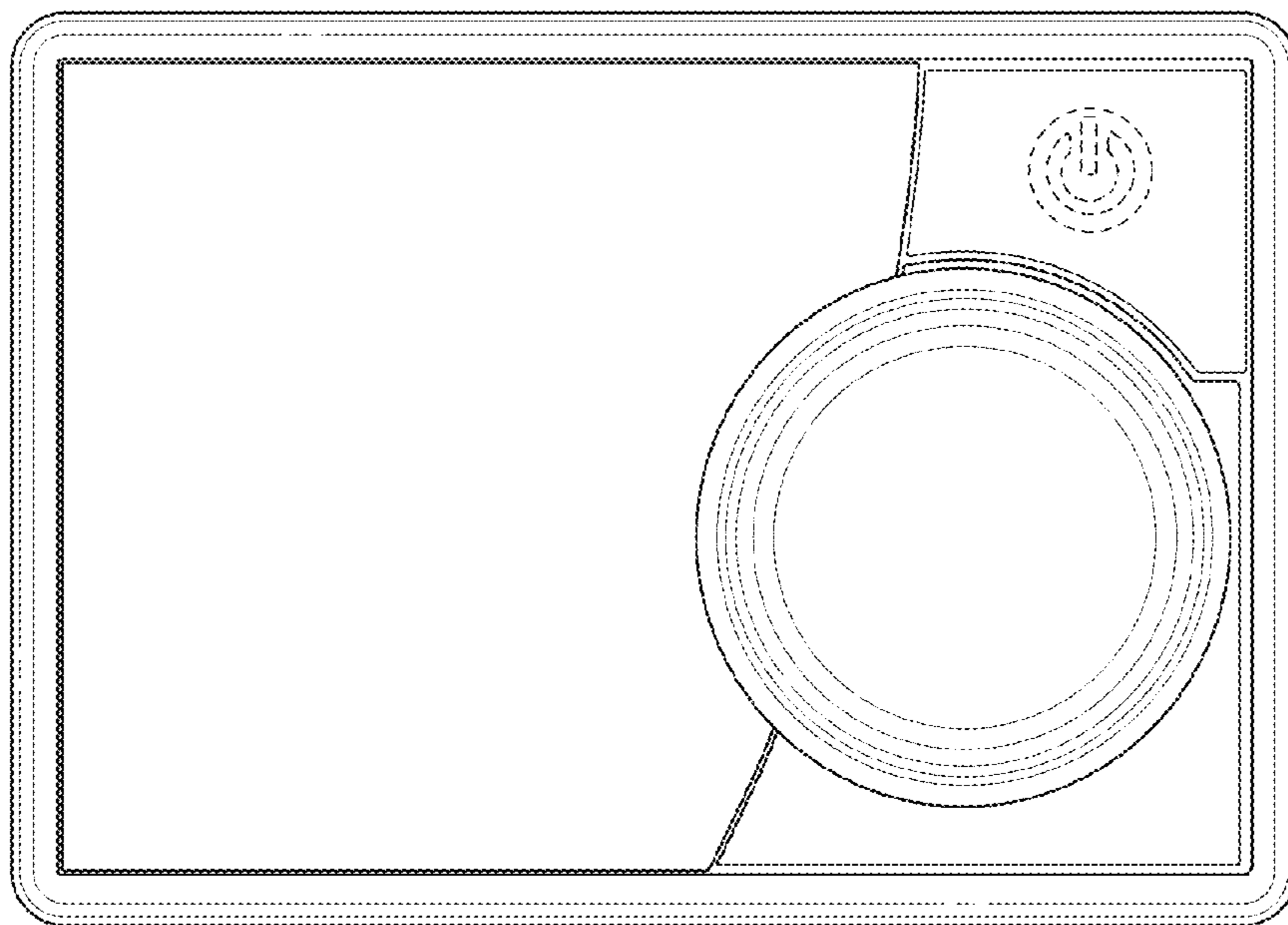


FIG. 5

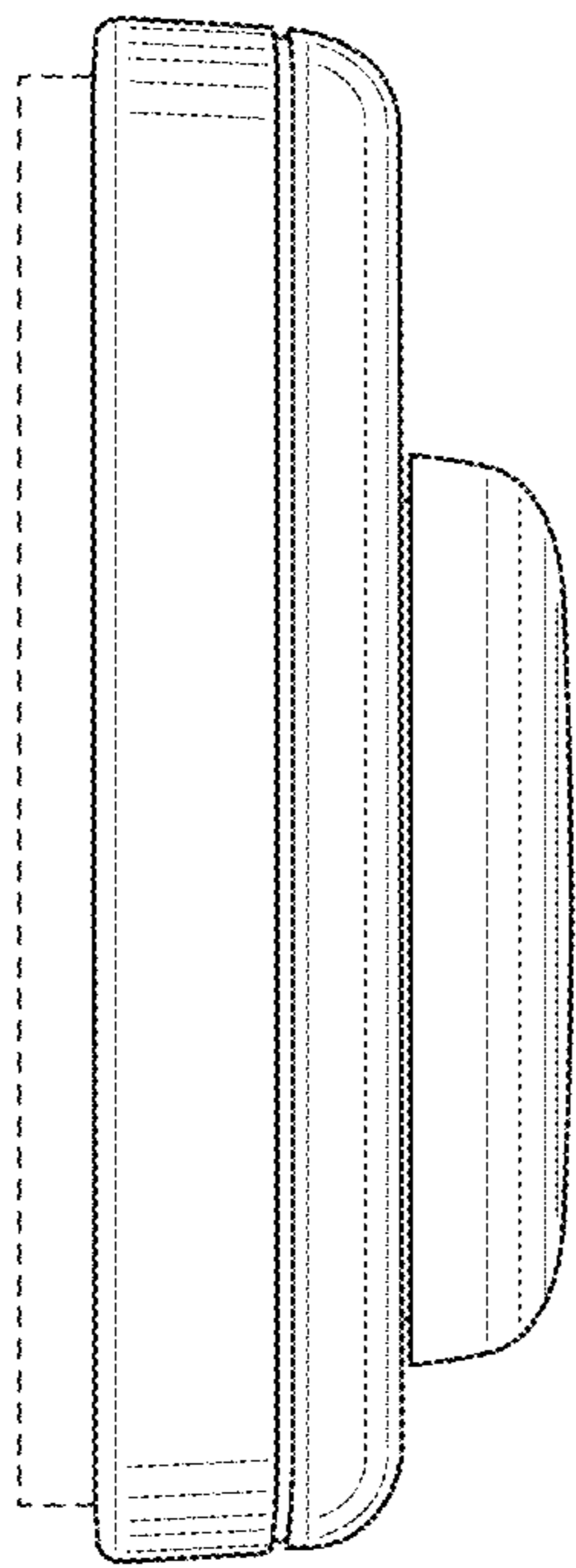


FIG. 6

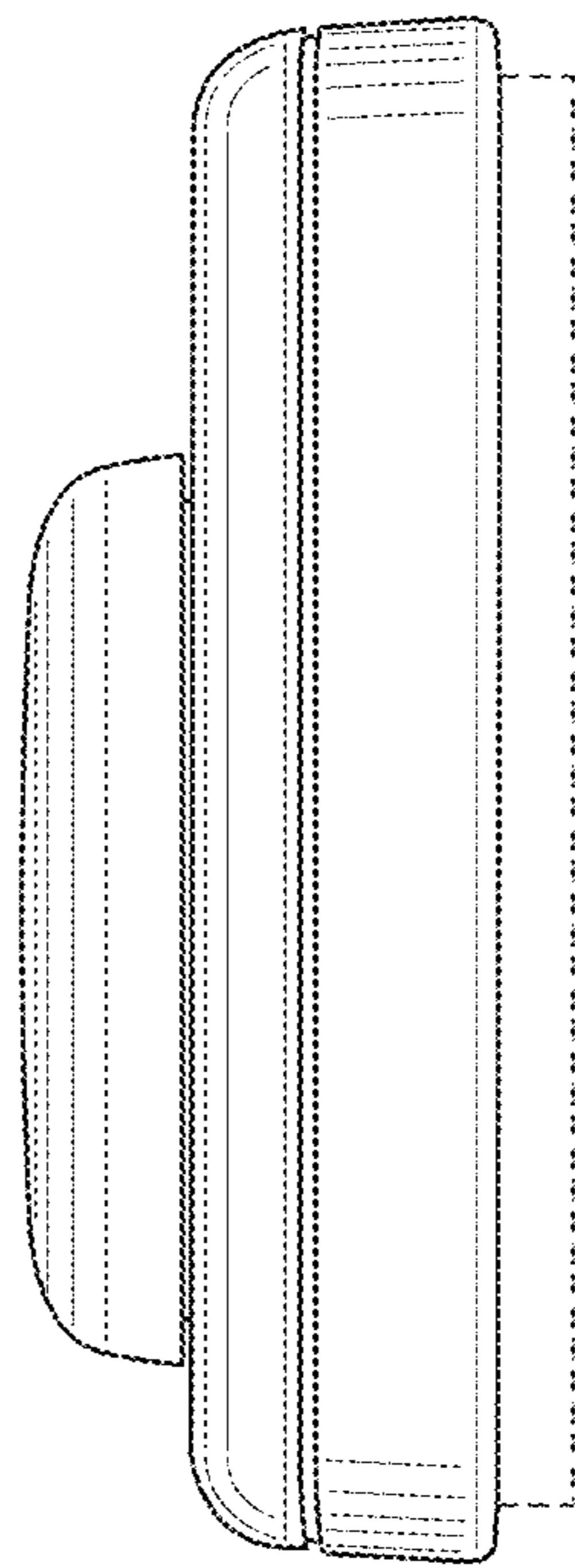


FIG. 7

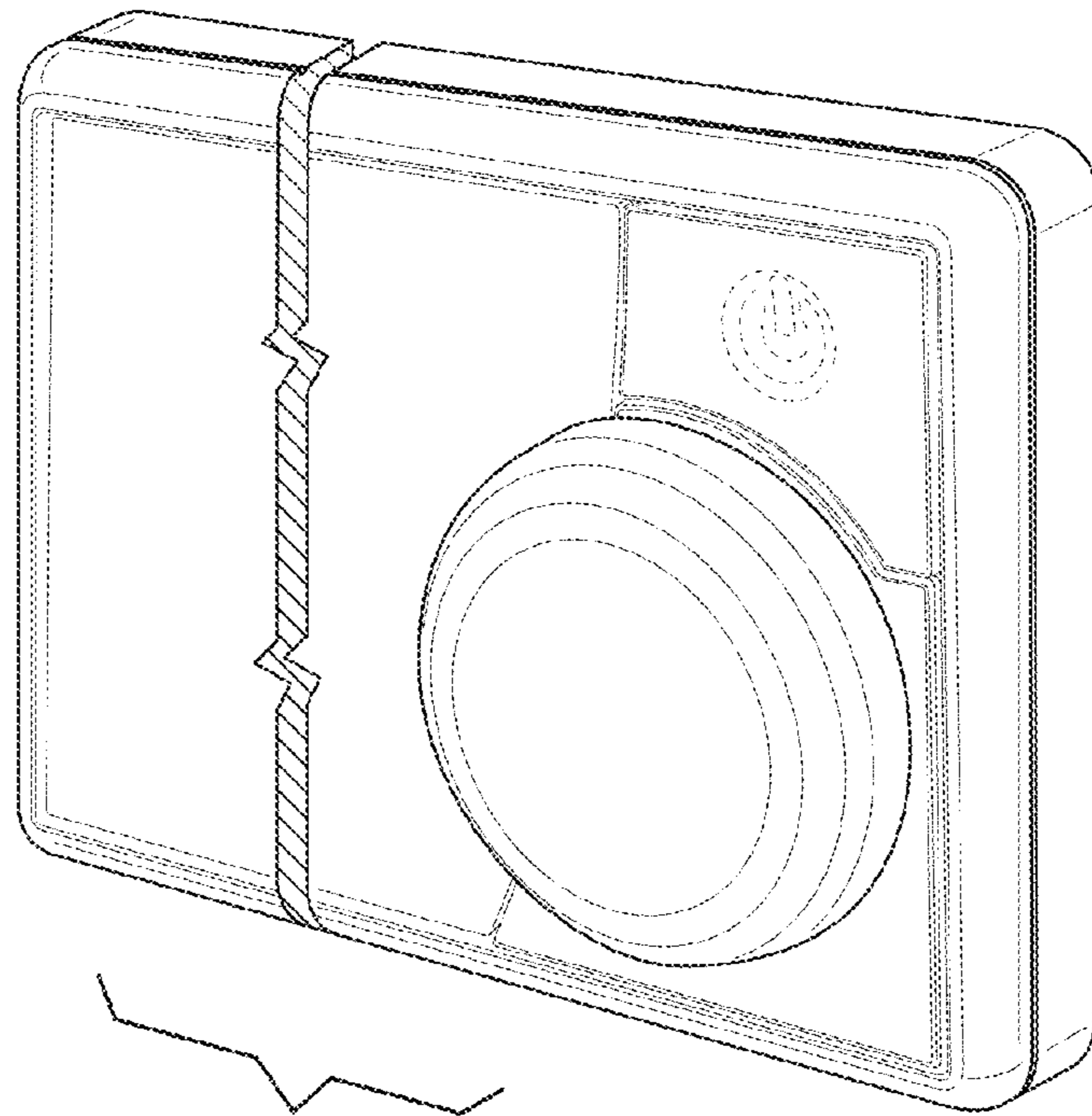


FIG. 8

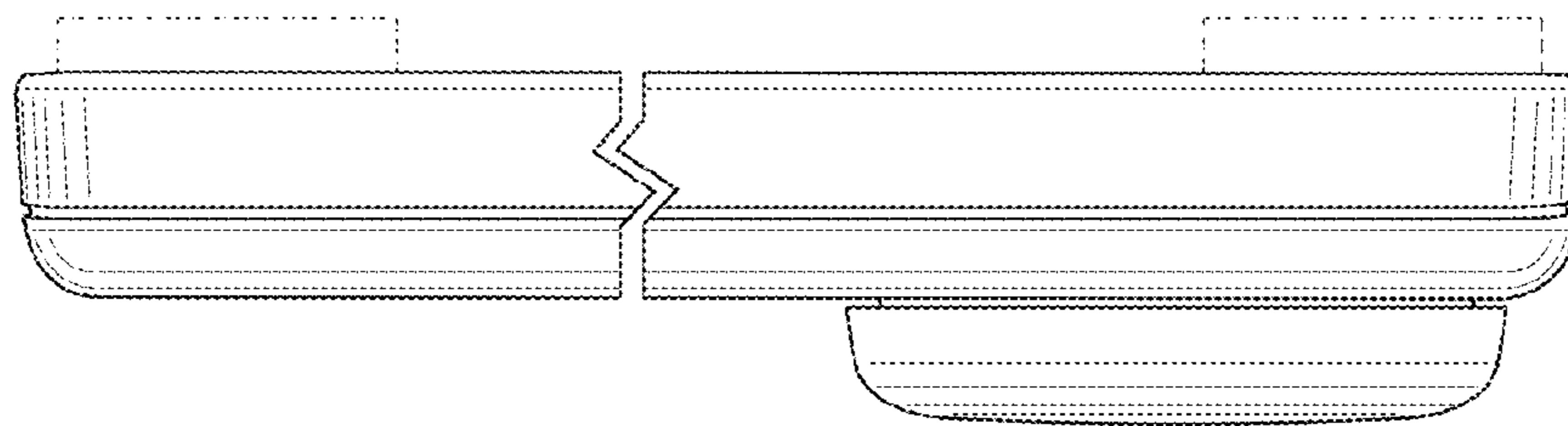


FIG. 9

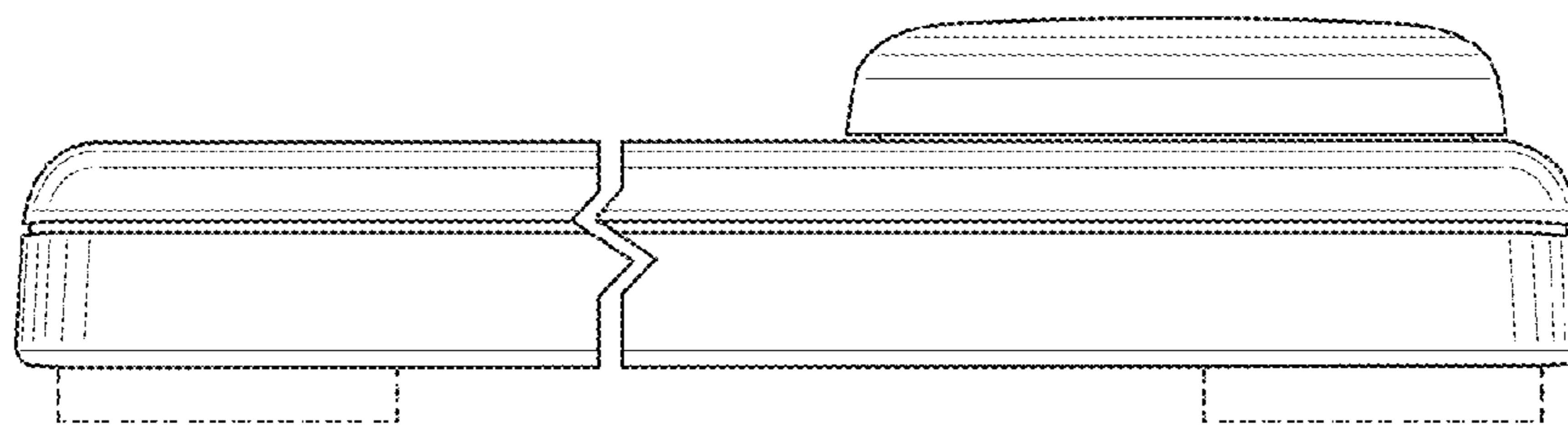


FIG. 10

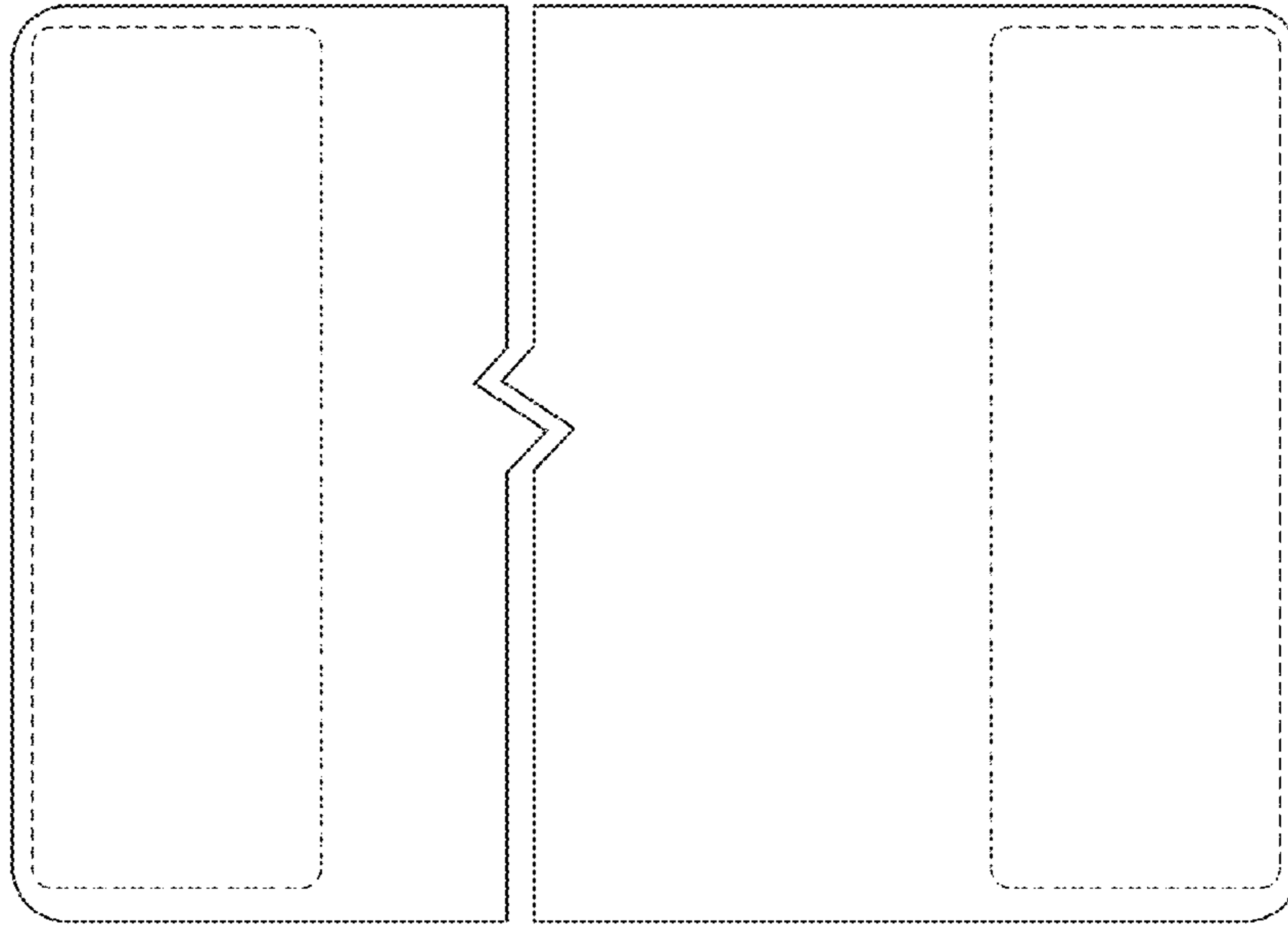


FIG. 11

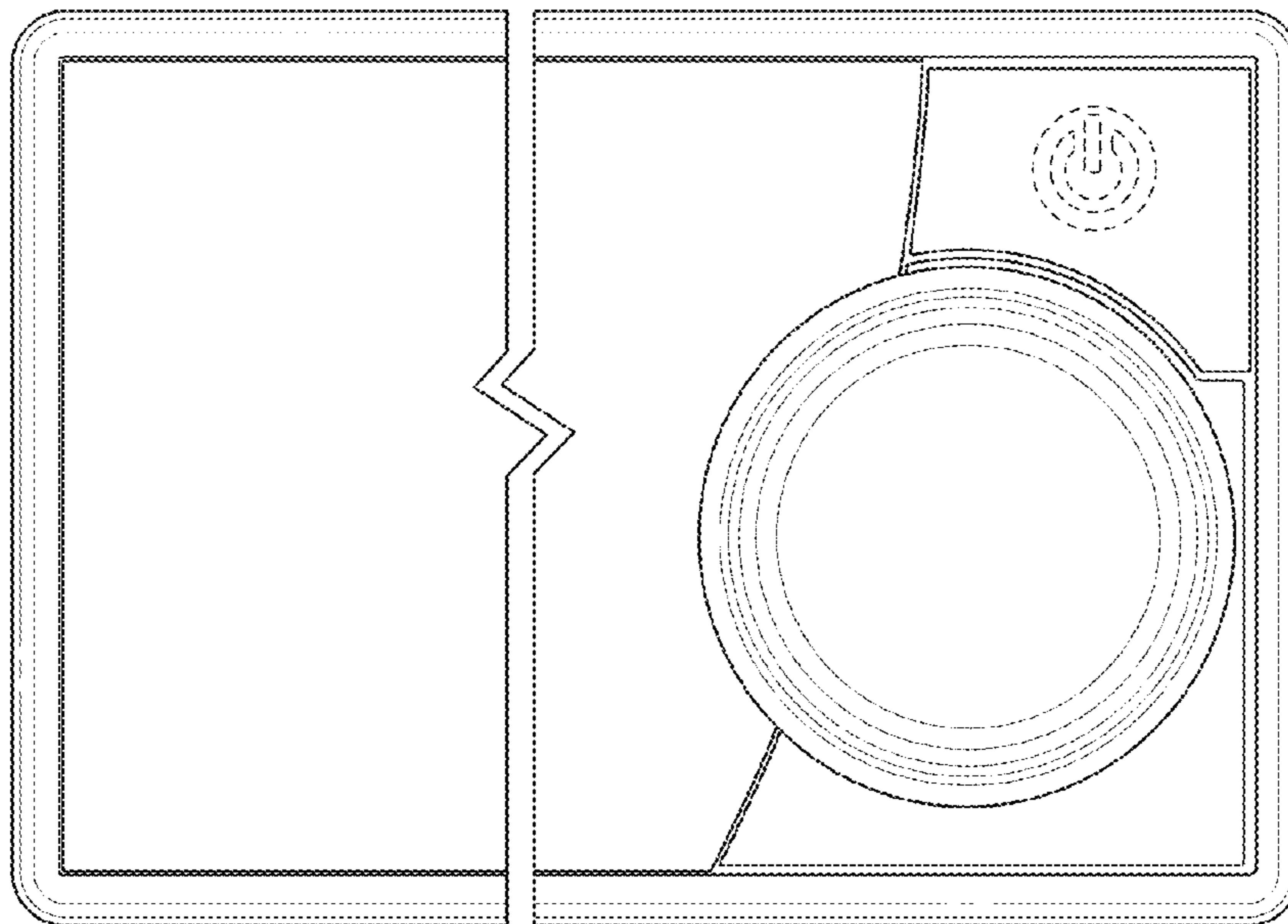


FIG. 12

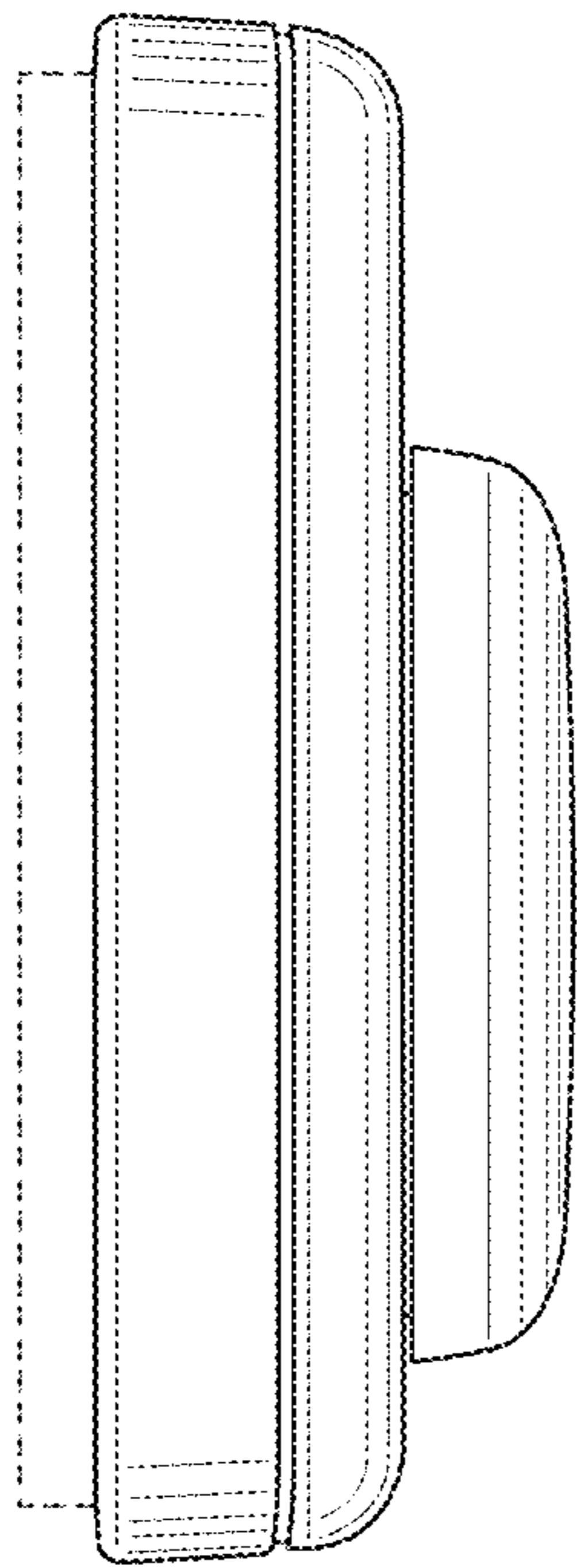


FIG. 13

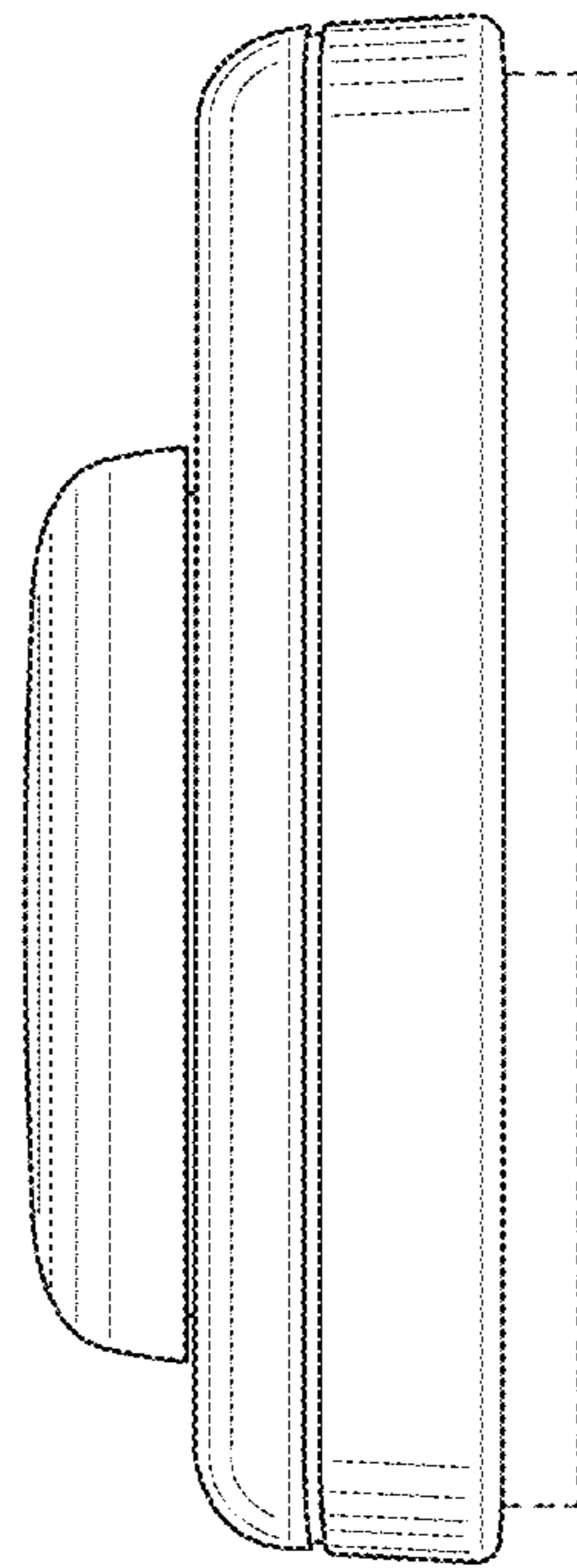


FIG. 14

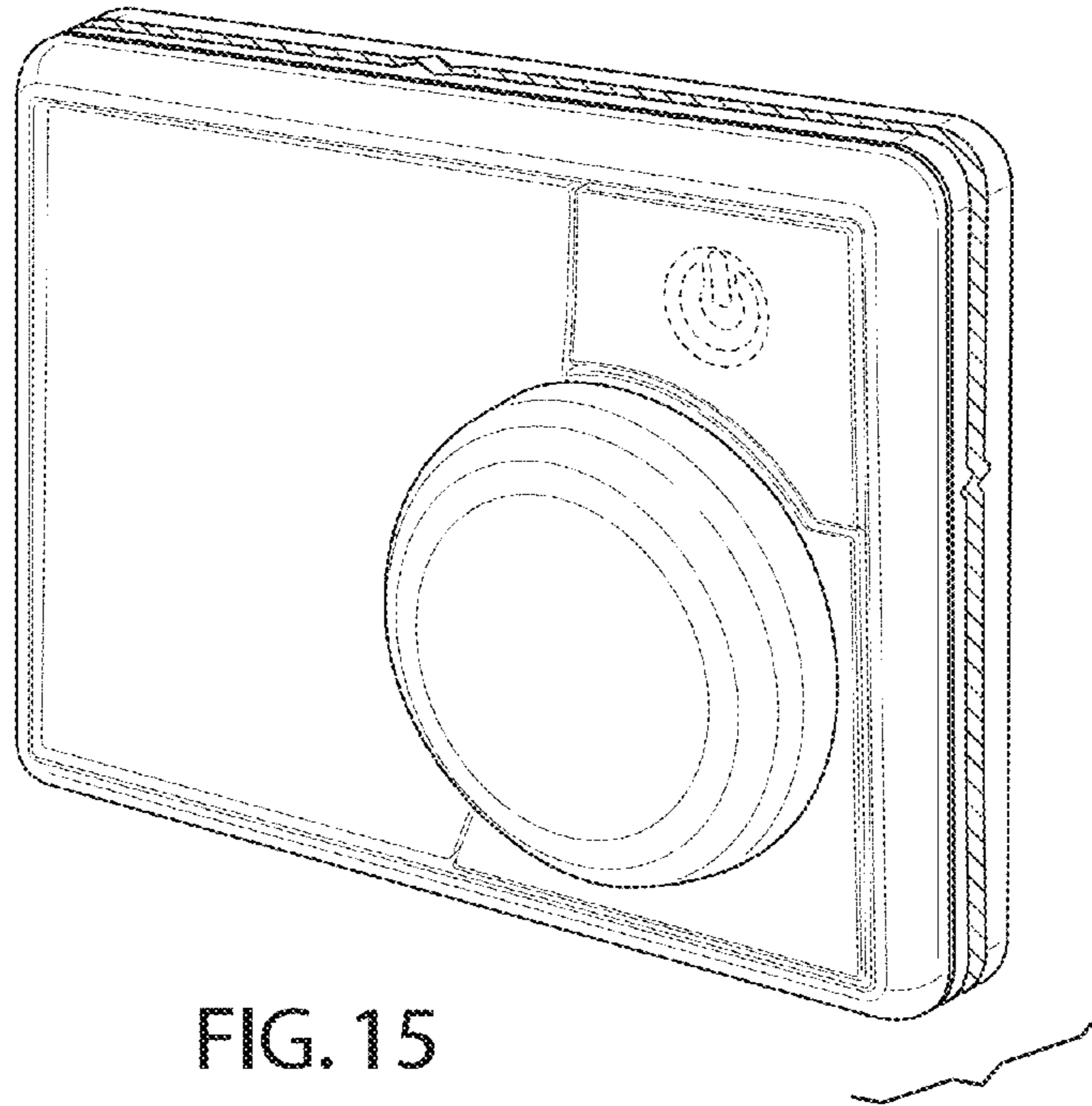


FIG. 15

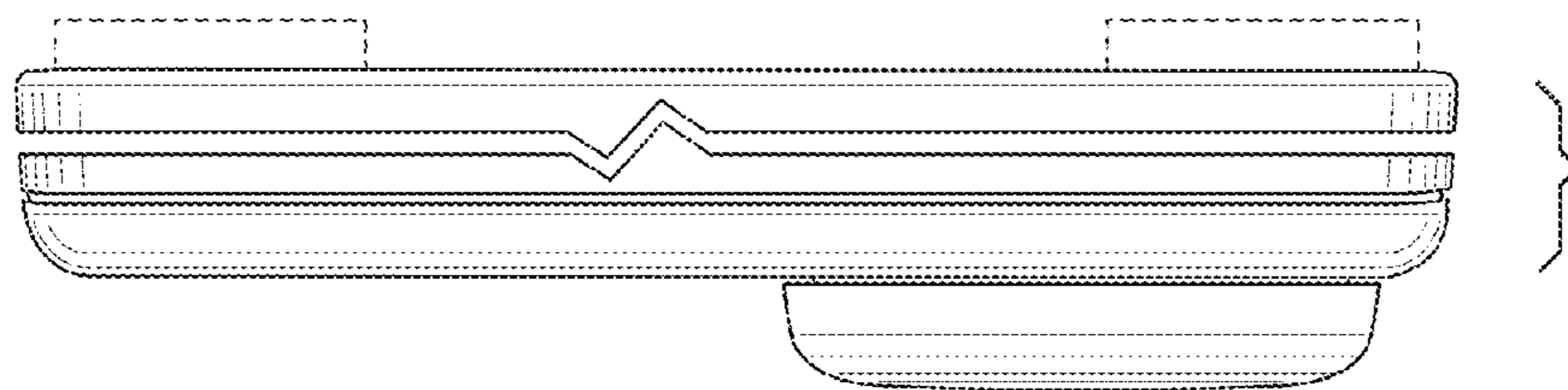


FIG. 16

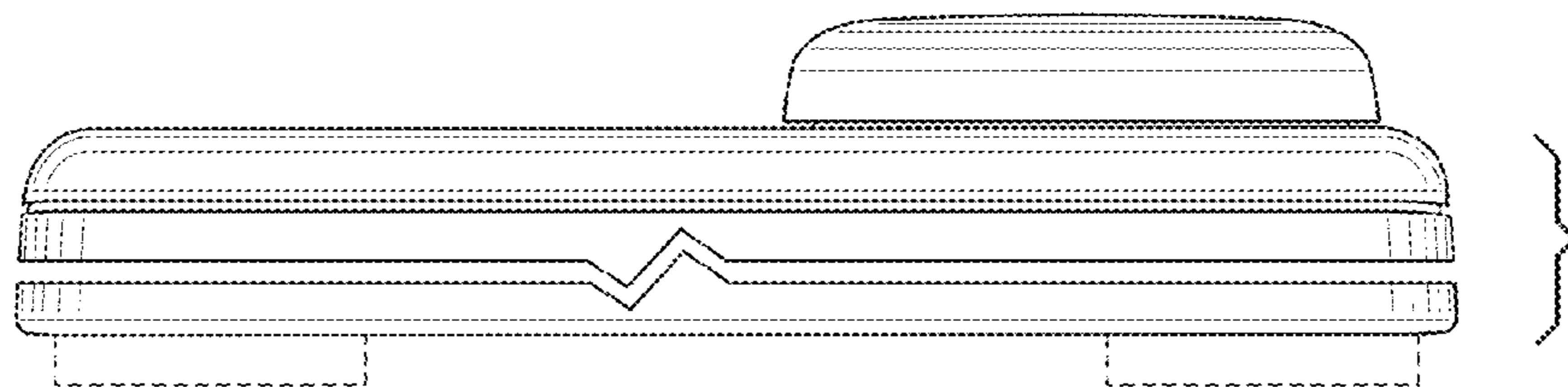


FIG. 17

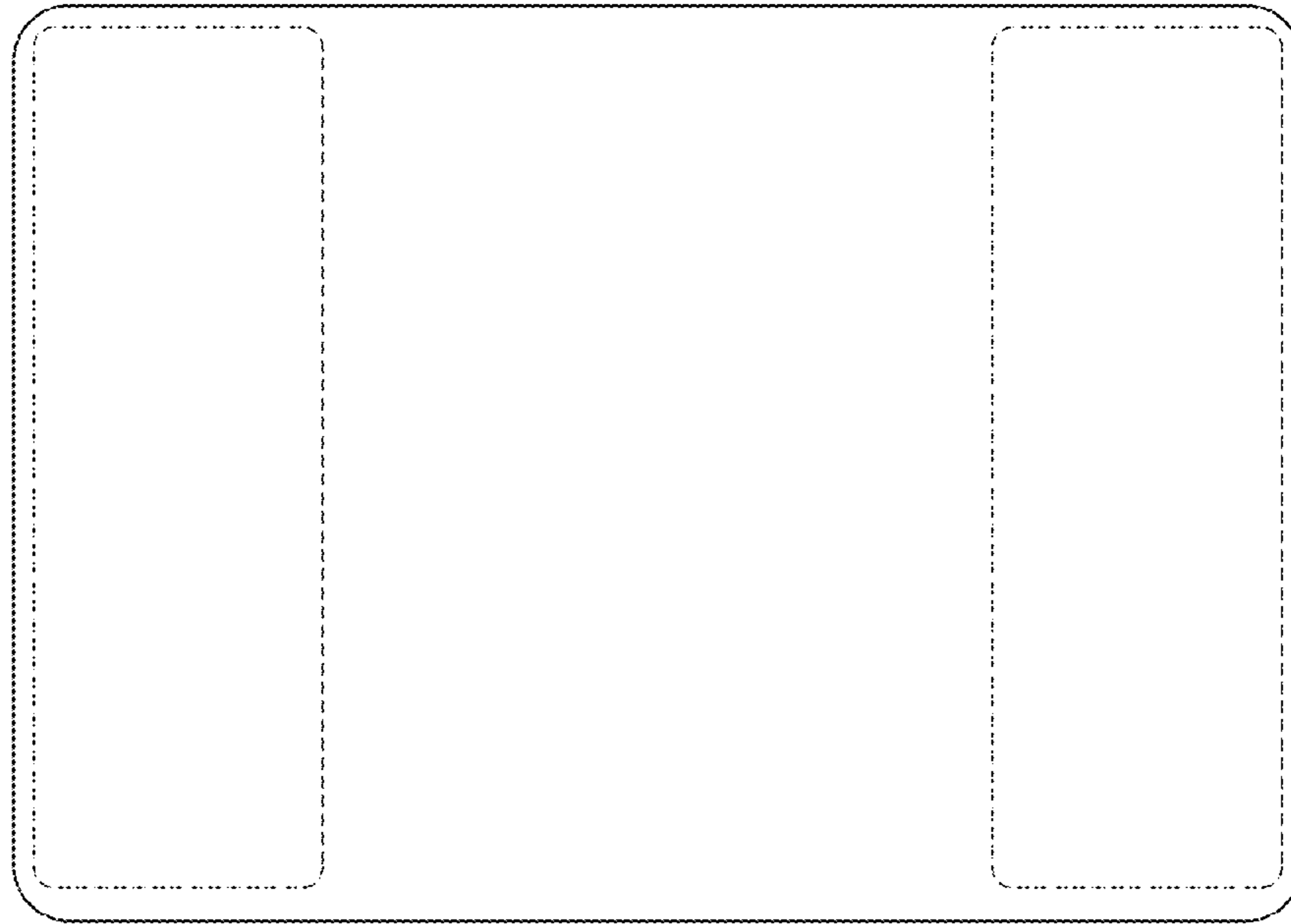


FIG. 18

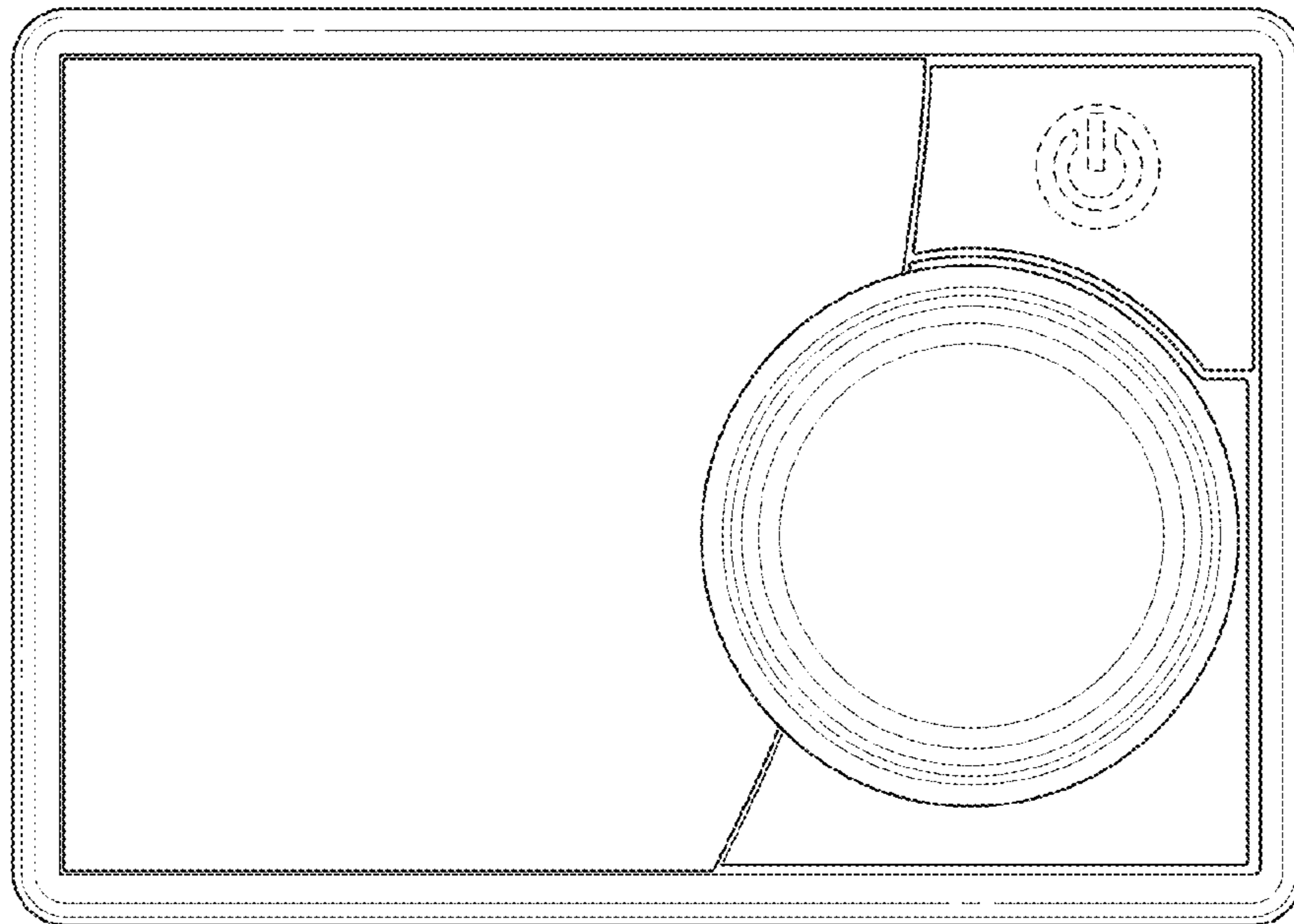


FIG. 19

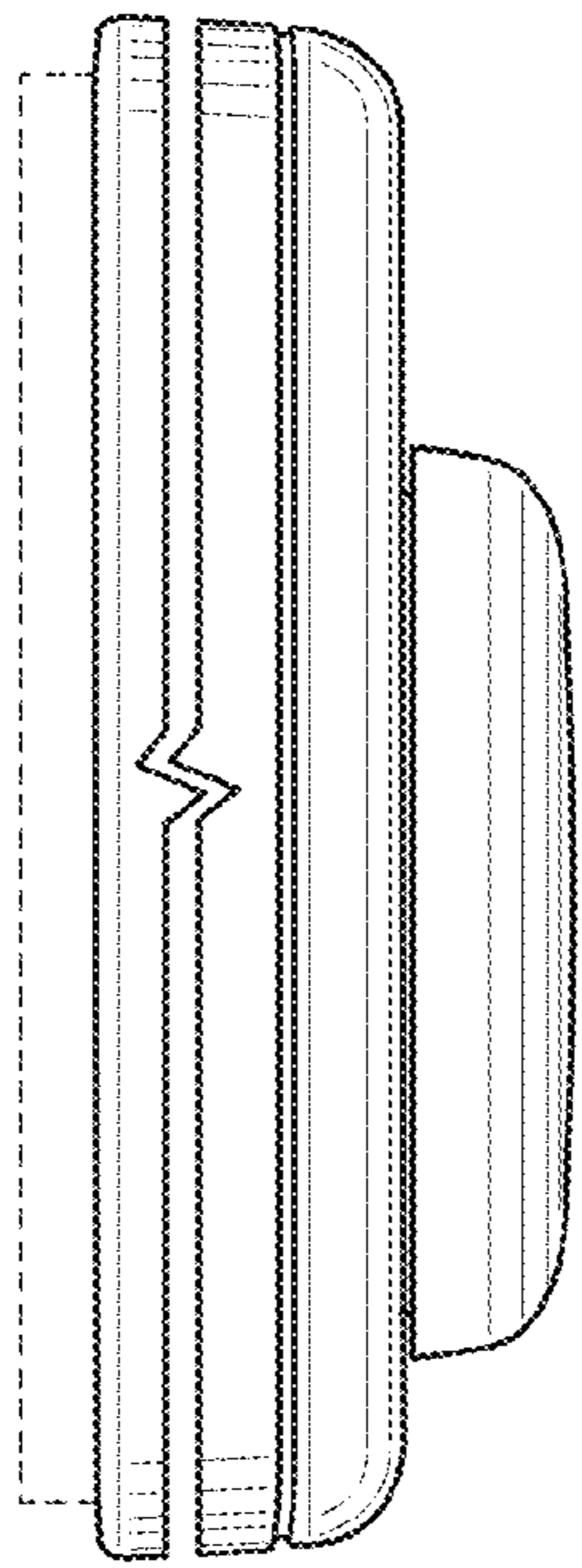


FIG. 20

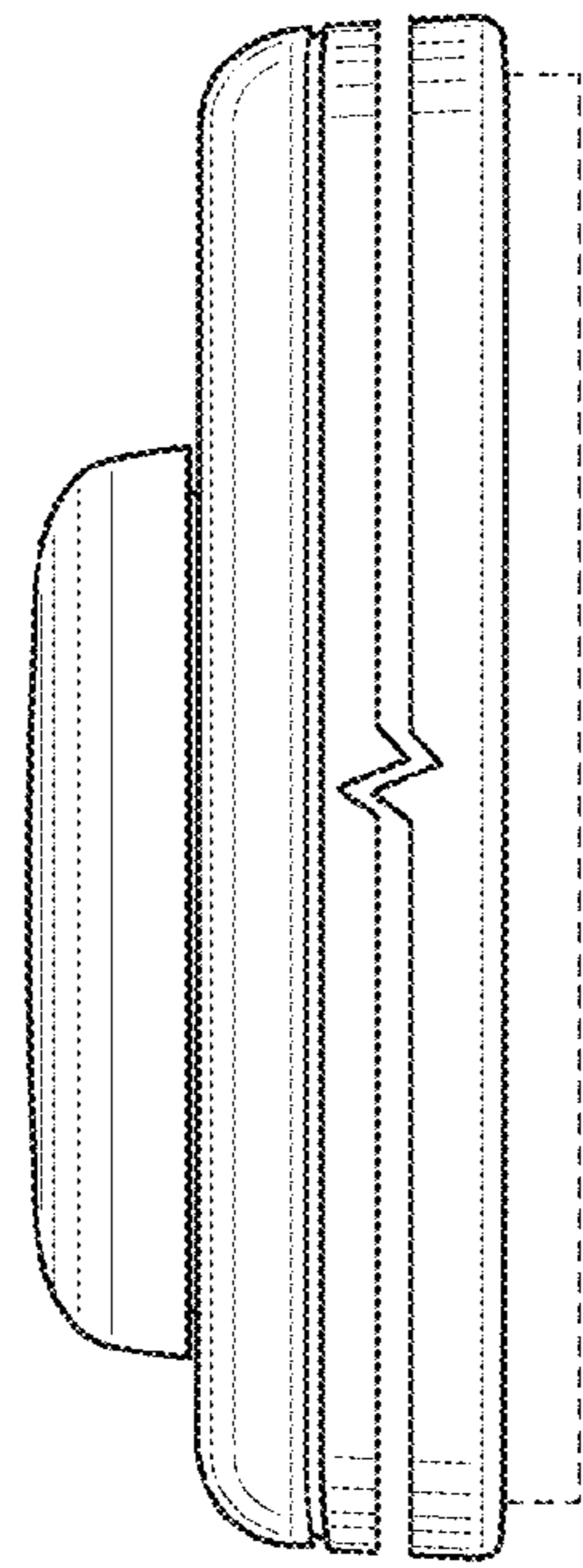


FIG. 21