



US00D720301S

(12) **United States Design Patent**  
**Schuckmann et al.**

(10) **Patent No.:** **US D720,301 S**

(45) **Date of Patent:** **\*\* Dec. 30, 2014**

(54) **HERMETIC TERMINAL**

(75) Inventors: **Scott Schuckmann**, Maineville, OH (US); **Prasad Khadkikar**, Shenzhen (CN)

(73) Assignee: **Emerson Electric Co.**, St. Louis, MO (US)

(\*\*) Term: **14 Years**

(21) Appl. No.: **29/429,570**

(22) Filed: **Aug. 14, 2012**

(51) **LOC (10) Cl.** ..... **13-03**

(52) **U.S. Cl.**  
USPC ..... **D13/154**

(58) **Field of Classification Search**  
CPC ..... H01R 13/40; H01B 17/26; H02G 3/18;  
H02G 3/22; H03H 7/01  
USPC ..... D13/146, 147, 154, 184, 199  
See application file for complete search history.

(56) **References Cited**

**U.S. PATENT DOCUMENTS**

3,566,341	A *	2/1971	Skony	439/685
5,035,653	A *	7/1991	Honkomp et al.	439/620.33
5,129,843	A *	7/1992	Bowsky et al.	439/685
5,131,858	A *	7/1992	Heimbrock	439/181
D340,911	S *	11/1993	Bowsky et al.	D13/146
5,580,282	A *	12/1996	Paterek	439/685
6,699,078	B2 *	3/2004	Quadir	439/693
7,025,614	B2 *	4/2006	Herrick et al.	439/276
8,794,999	B2 *	8/2014	Schuckmann et al.	439/587

**OTHER PUBLICATIONS**

“Glass-to-metal hermetic seals and power terminal feed-throughs”  
Fusite Tech-Data [Bulletin 962A], Fusite Division of Emerson Electric Co., © 1996 Fusite Division of Emerson Electric Co., p. 1-4.

“Glass-to-metal hermetic seals, connectors and related components”  
Fusite [Brochure], Fusite Division of Emerson Electric Co., © 1999  
Fusite Division of Emerson Electric Co., p. 1-8.

\* cited by examiner

*Primary Examiner* — Daniel Bui

(74) *Attorney, Agent, or Firm* — Harness, Dickey & Pierce, P.L.C.

(57) **CLAIM**

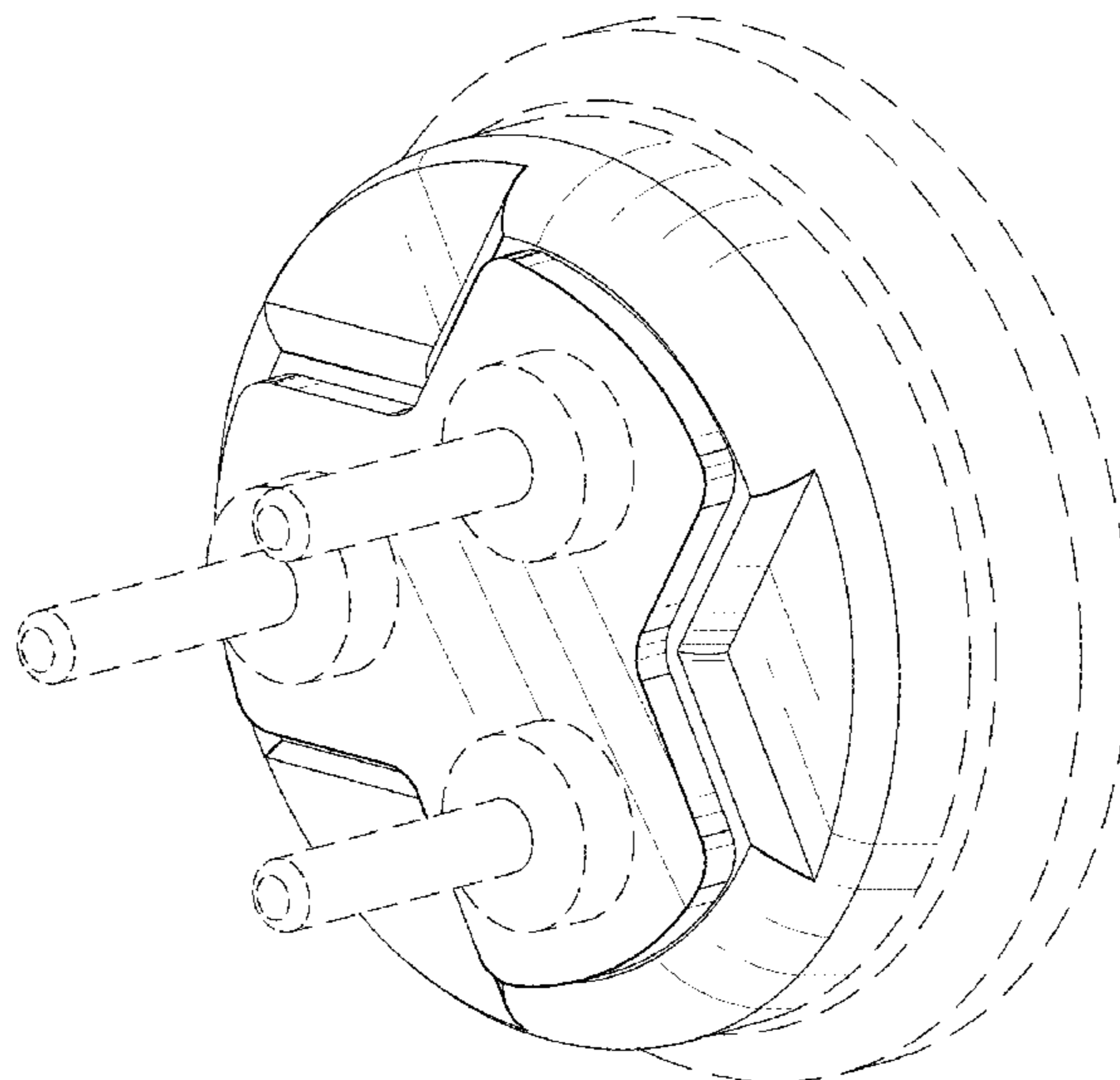
The ornamental design for a hermetic terminal, as shown and described.

**DESCRIPTION**

FIG. 1 is a front perspective view of a hermetic terminal showing our new design;  
FIG. 2 is a front view of the hermetic terminal of FIG. 1;  
FIG. 3 is a side view of the hermetic terminal of FIG. 1 from the direction of arrow A in FIG. 2;  
FIG. 4 is a side view of the hermetic terminal of FIG. 1 from the direction of arrow B in FIG. 2;  
FIG. 5 is a side view of the hermetic terminal of FIG. 1 from the direction of arrow C in FIG. 2;  
FIG. 6 is a front perspective view of an alternate embodiment of a hermetic terminal showing our new design;  
FIG. 7 is a front view of the hermetic terminal of FIG. 6;  
FIG. 8 is a side view of the hermetic terminal of FIG. 6 from the direction of arrow A in FIG. 7;  
FIG. 9 is a side view of the hermetic terminal of FIG. 6 from the direction of arrow B in FIG. 7; and,  
FIG. 10 is a side view of the hermetic terminal of FIG. 6 from the direction of arrow C in FIG. 7.

The broken line portion of the figure drawings is included for the purpose of illustrating environment and forms no part of the claimed design. It is to be understood that the bottom of hermetic terminal forms no part of the present design.

**1 Claim, 6 Drawing Sheets**



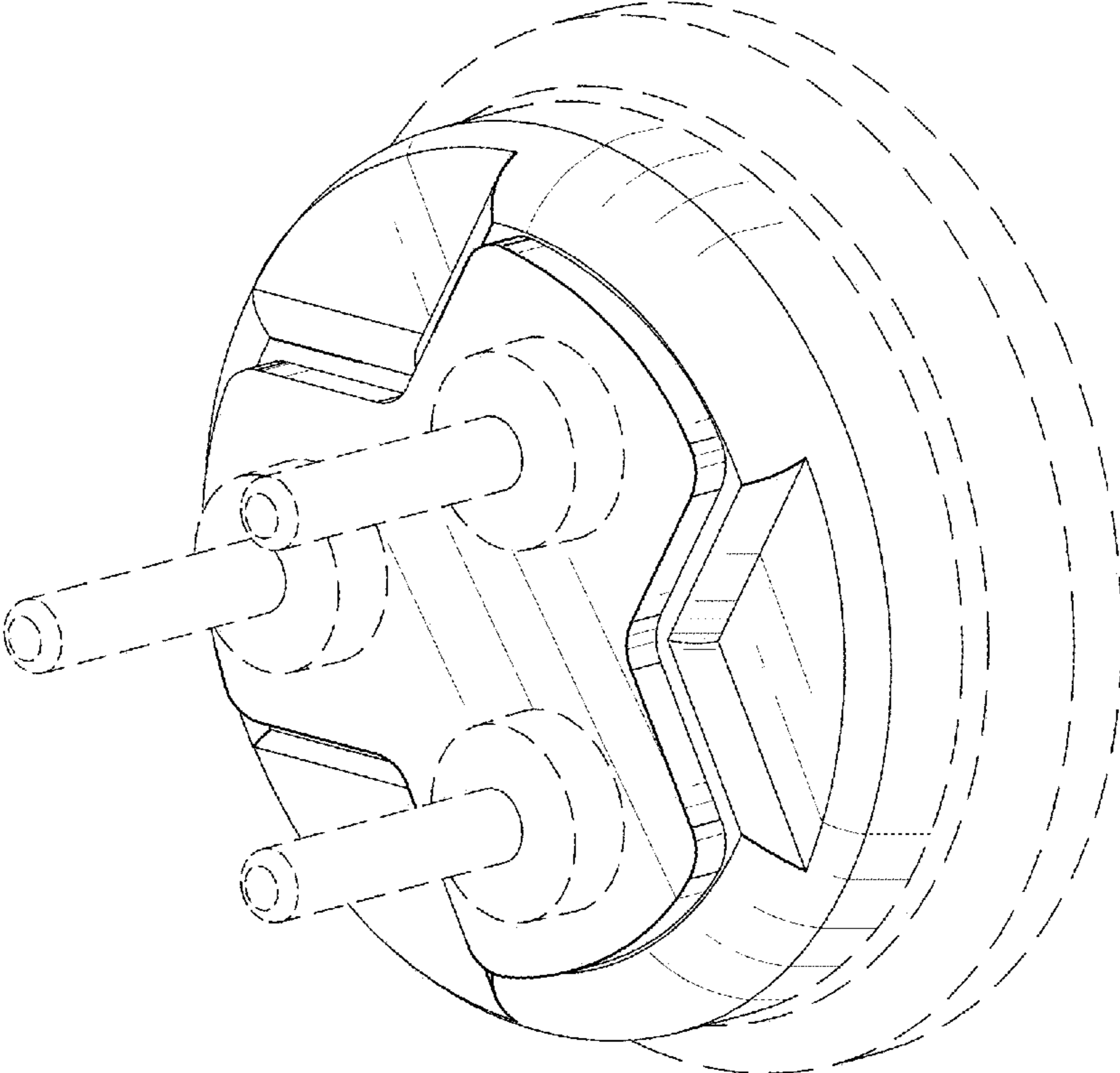


Fig-1

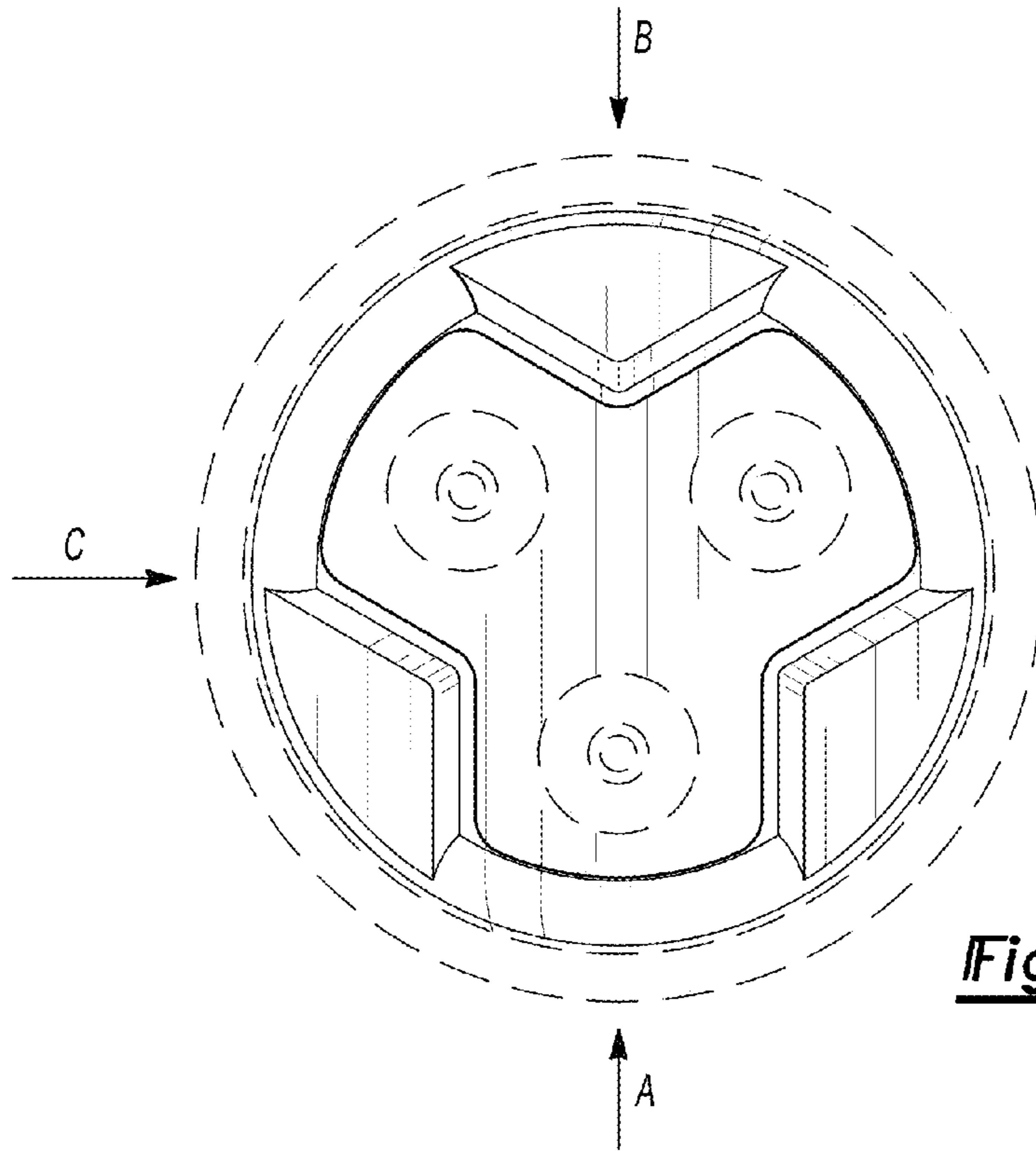


Fig-2

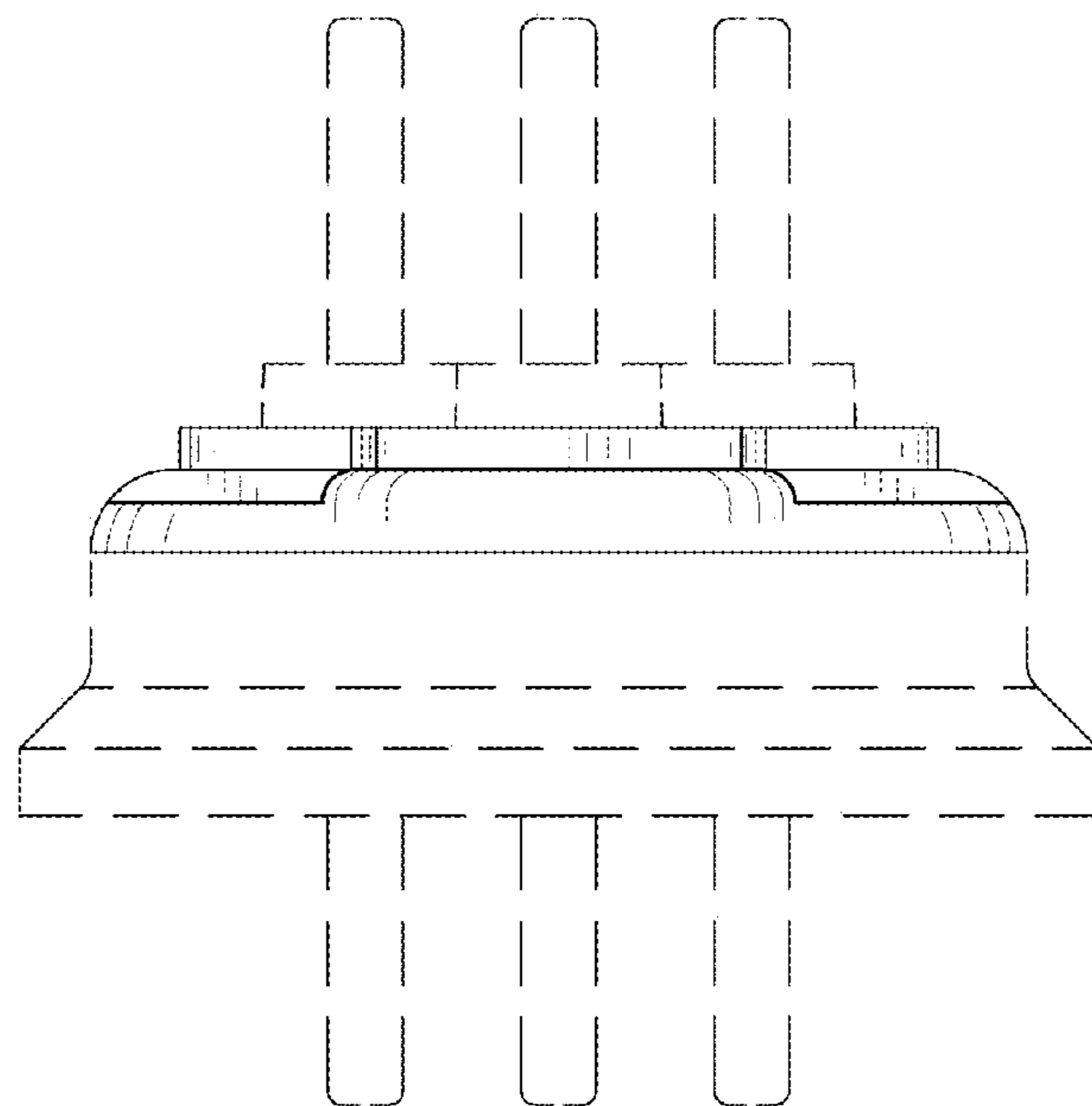


Fig-3

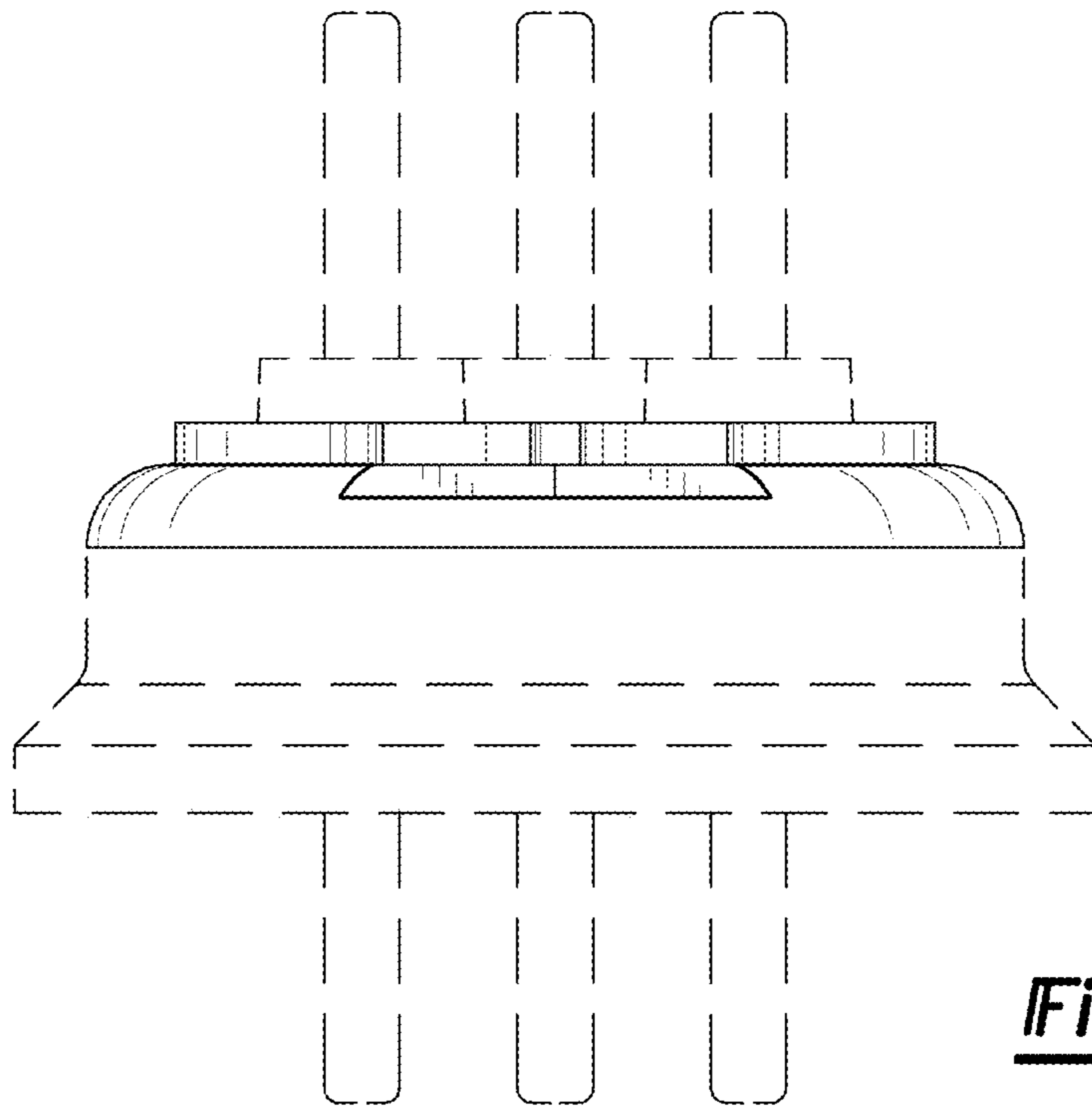


Fig-4

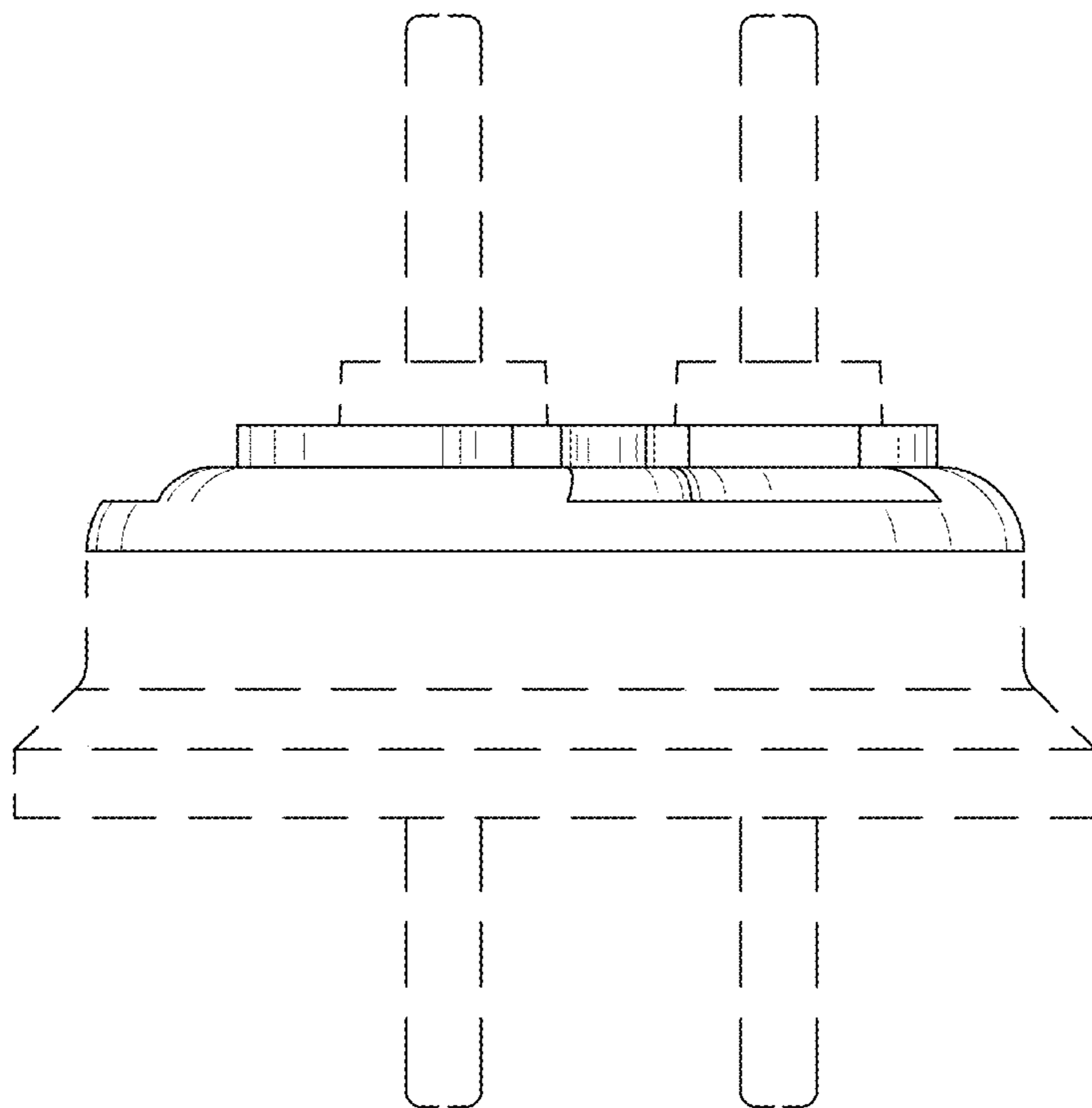


Fig-5

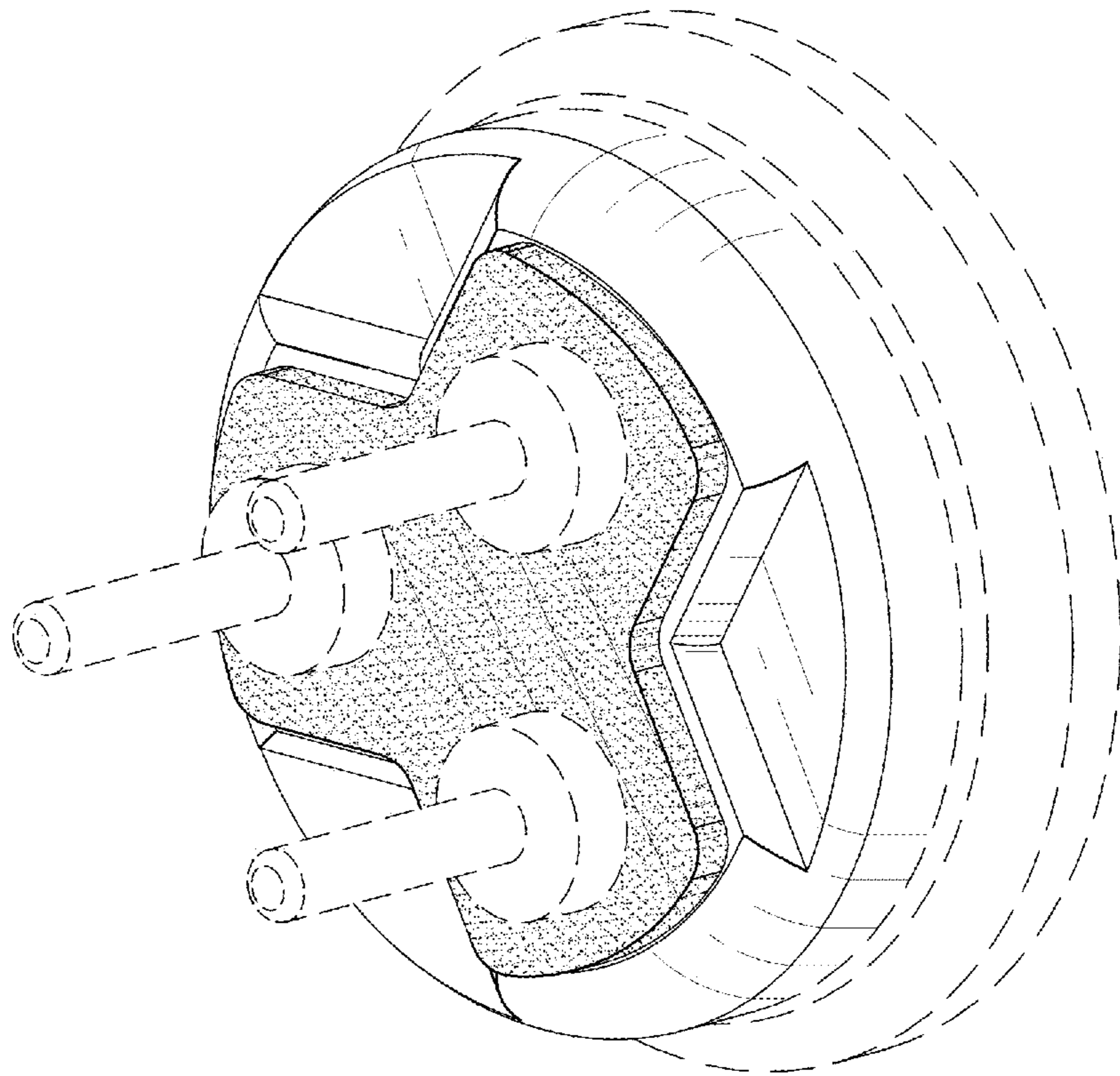


Fig-6

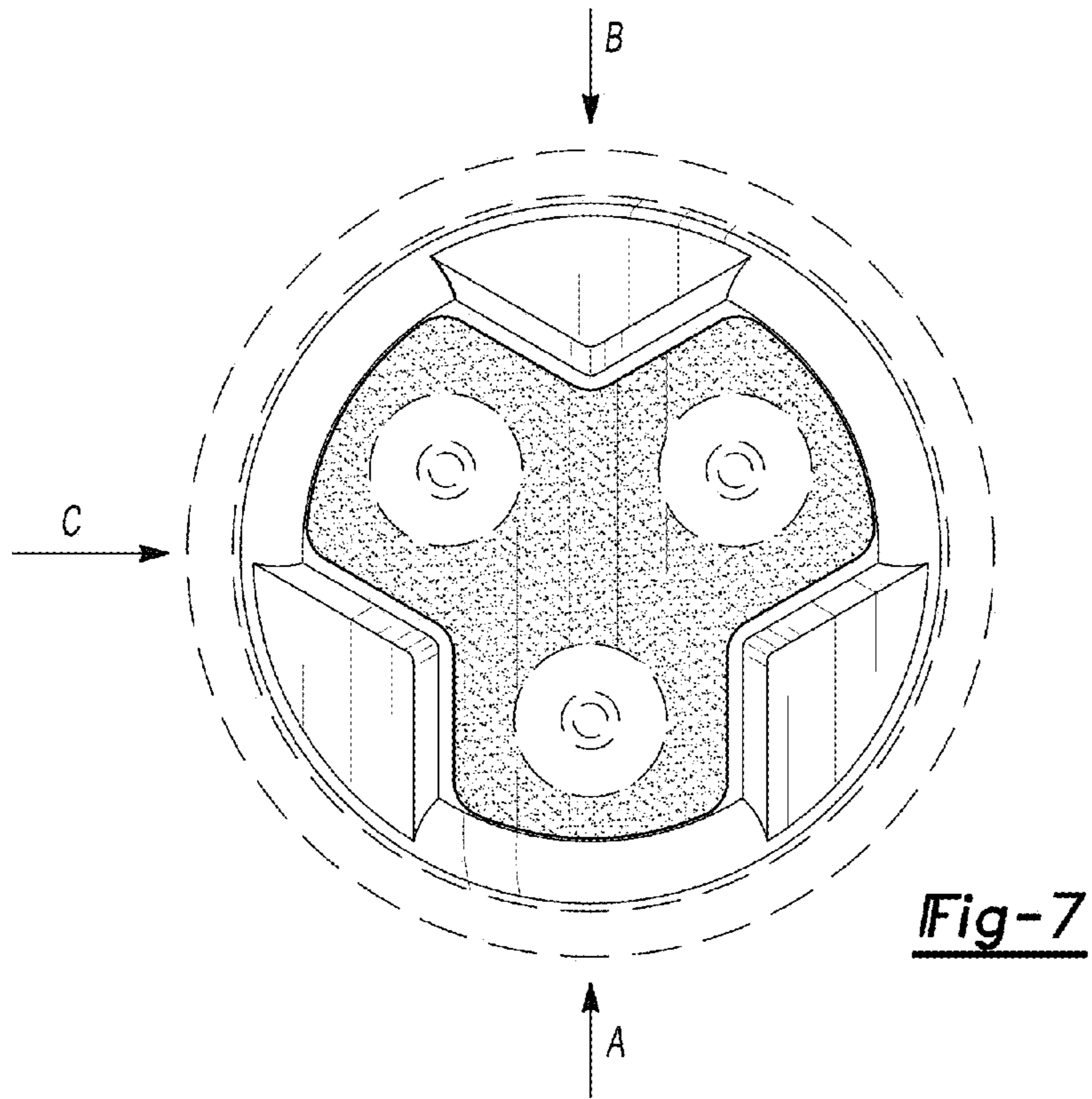


Fig-7

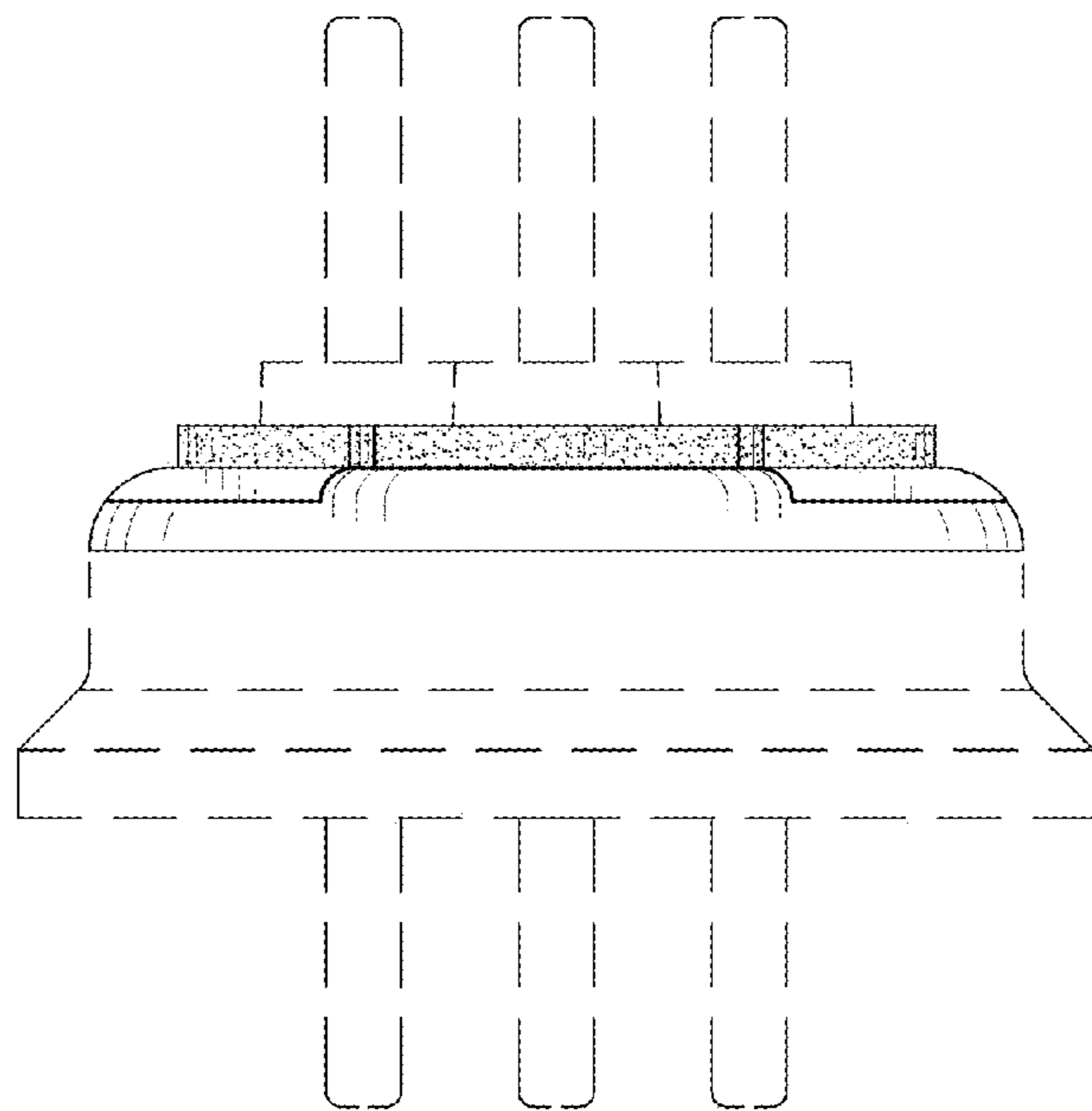


Fig-8

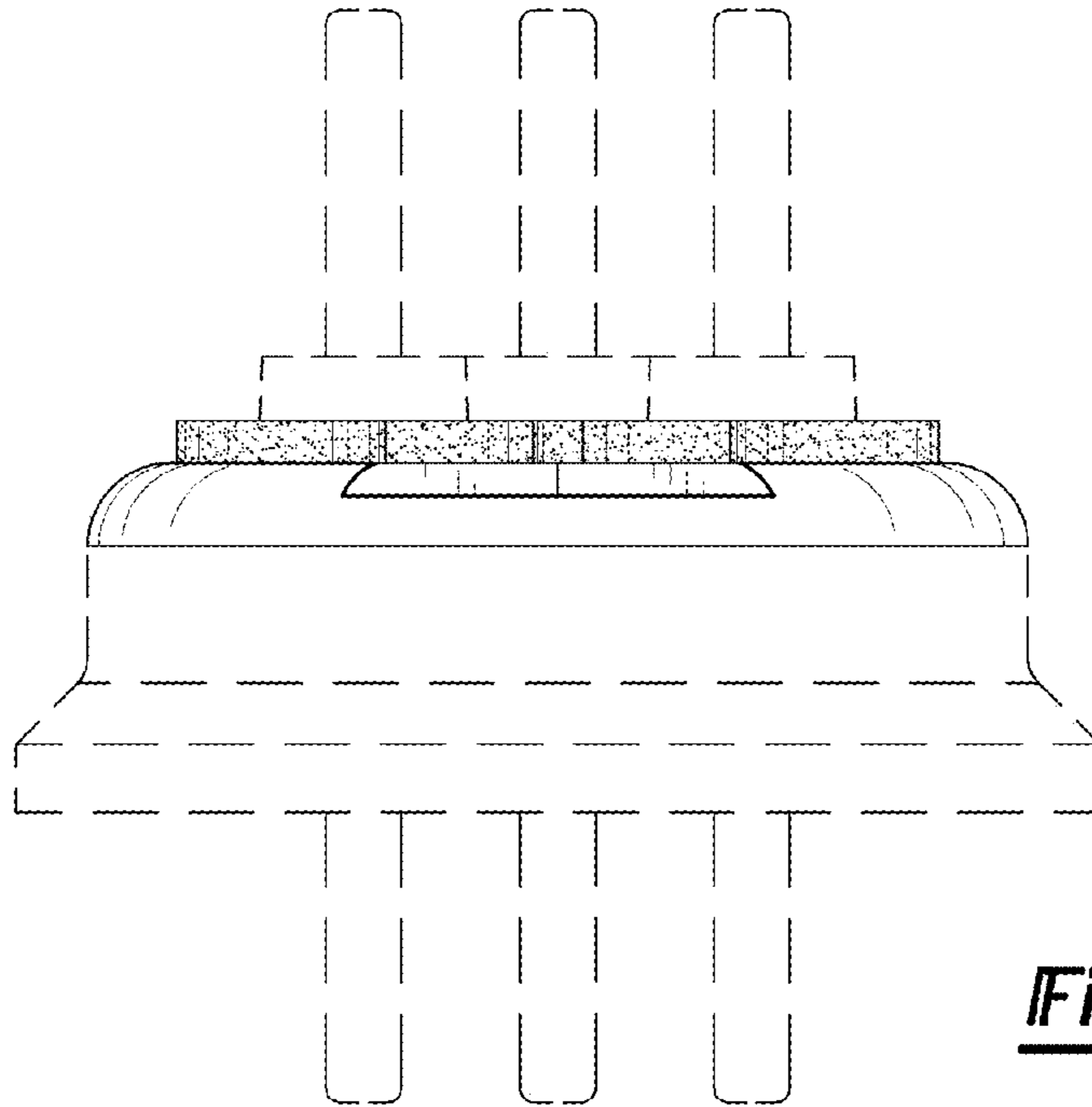


Fig-9

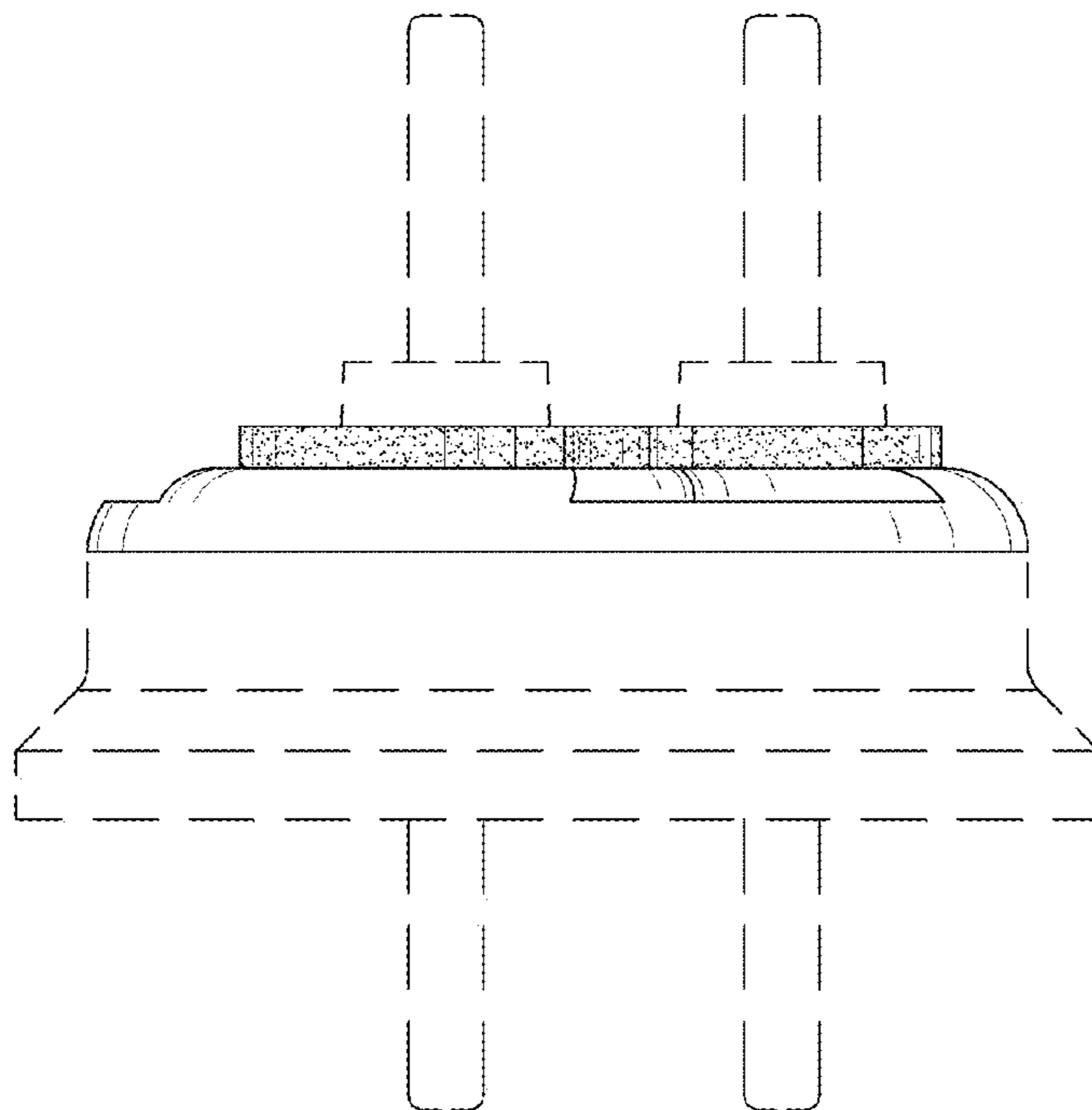


Fig-10