



US00D720299S

(12) **United States Design Patent**
Honda

(10) **Patent No.:** **US D720,299 S**

(45) **Date of Patent:** **** Dec. 30, 2014**

(54) **ELECTRICAL CONNECTOR**

D497,344 S * 10/2004 Huang D13/147
D600,209 S * 9/2009 Matoba D13/147
D600,647 S * 9/2009 Hemmi et al. D13/147

(71) Applicant: **Japan Aviation Electronics Industry, Limited**, Tokyo (JP)

FOREIGN PATENT DOCUMENTS

(72) Inventor: **Yosuke Honda**, Tokyo (JP)

JP D1406832 S 2/2011
JP D1418292 S 7/2011
JP D1436858 S 3/2012

(73) Assignee: **Japan Aviation Electronics Industry, Limited**, Tokyo (JP)

* cited by examiner

(**) Term: **14 Years**

Primary Examiner — Daniel Bui

(21) Appl. No.: **29/478,453**

(74) *Attorney, Agent, or Firm* — Cermak Nakajima & McGowan LLP; Tomoko Nakajima

(22) Filed: **Jan. 6, 2014**

(57) **CLAIM**

(30) **Foreign Application Priority Data**

The ornamental design for an electrical connector, as shown.

Jul. 17, 2013 (JP) 2013-016235

DESCRIPTION

(51) **LOC (10) Cl.** **13-03**

(52) **U.S. Cl.**
USPC **D13/147**

(58) **Field of Classification Search**
USPC D13/147, 154, 184, 199; 439/62, 260,
439/325, 329, 395, 422, 492-499
See application file for complete search history.

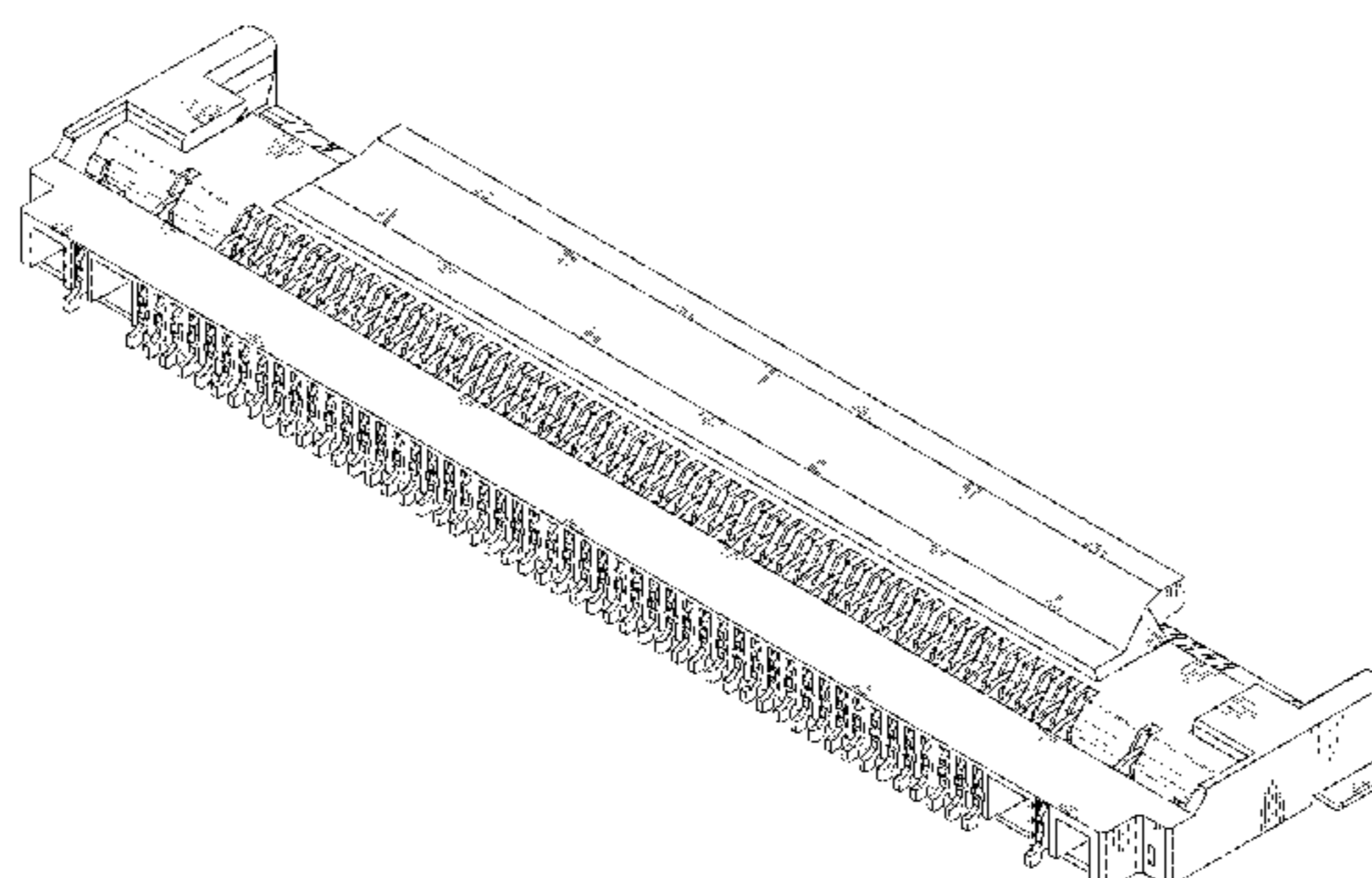
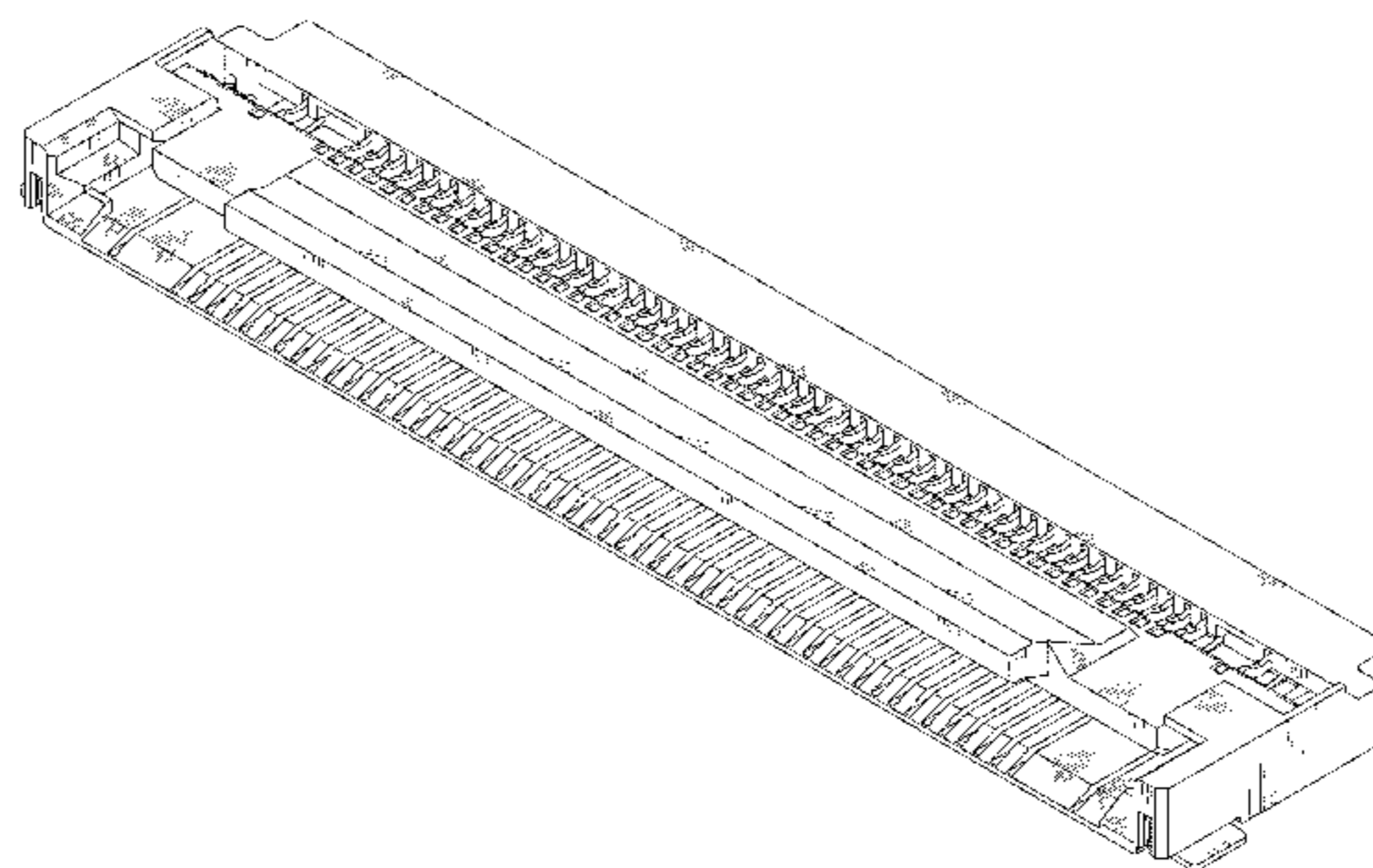
FIG. 1 is a front elevational view of an electrical connector showing my new design;
FIG. 2 is a top plan view thereof;
FIG. 3 is a right side elevational view thereof;
FIG. 4 is a left side elevational view thereof;
FIG. 5 is a rear elevational view thereof; and
FIG. 6 is a bottom plan view thereof.
FIG. 7 is a front and top perspective view thereof;
FIG. 8 is a front and bottom perspective view thereof;
FIG. 9 is a rear and top perspective view thereof; and,
FIG. 10 is a rear and bottom perspective view thereof.

(56) **References Cited**

U.S. PATENT DOCUMENTS

D481,998 S * 11/2003 Saito et al. D13/147
D481,999 S * 11/2003 Saito et al. D13/147

1 Claim, 10 Drawing Sheets



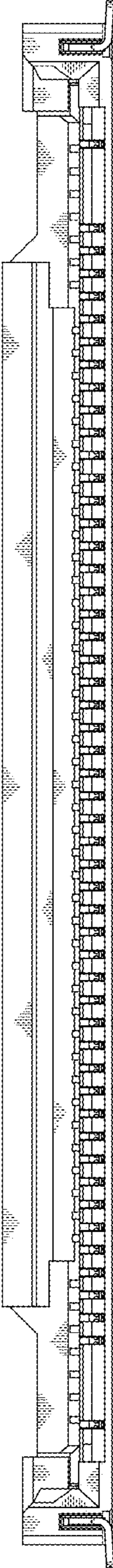


FIG.1

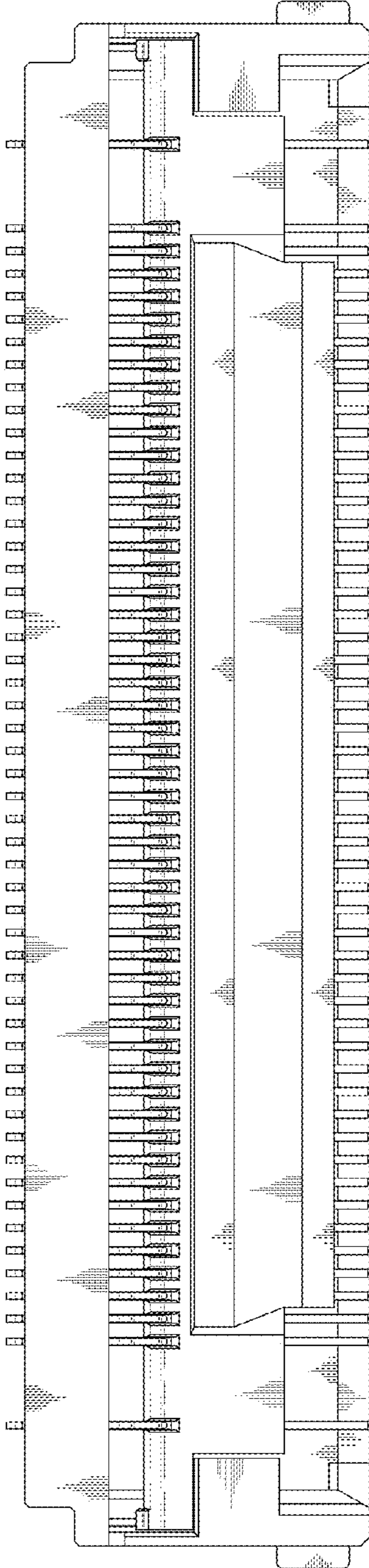


FIG.2

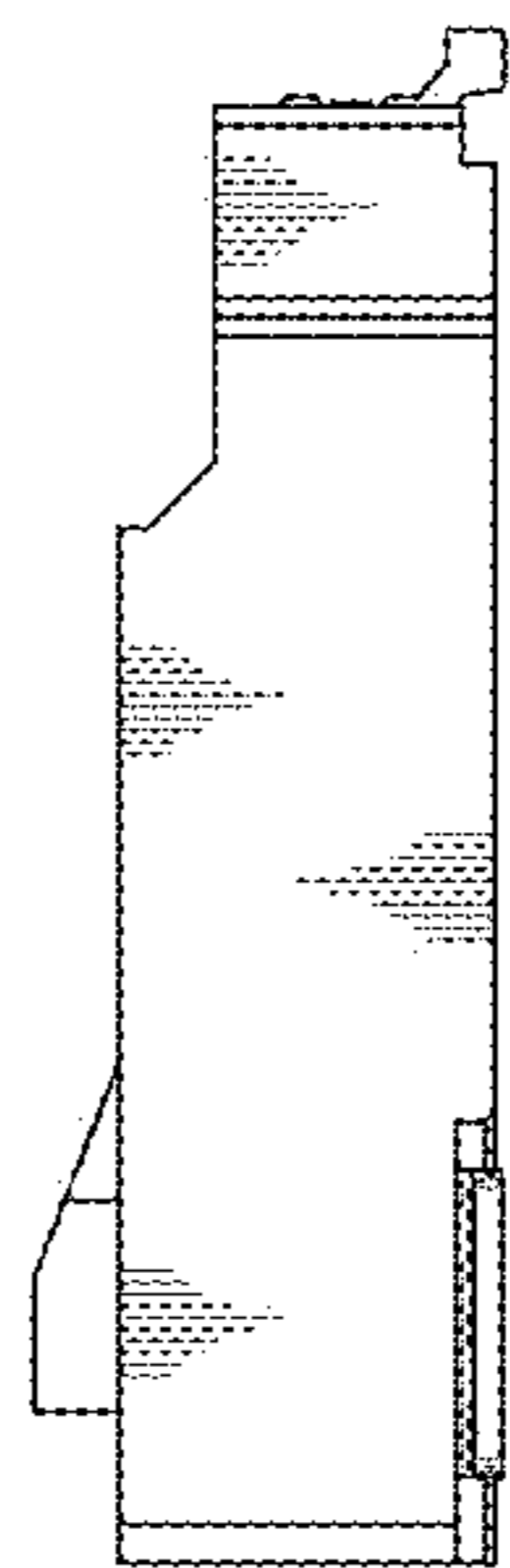


FIG.3

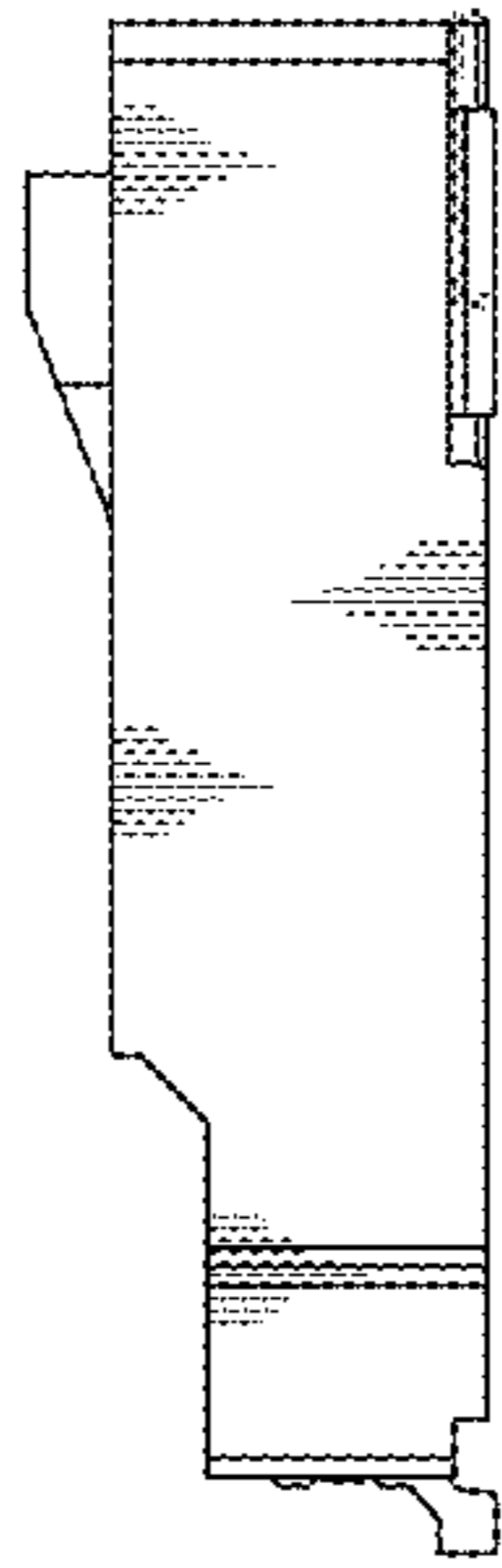


FIG.4

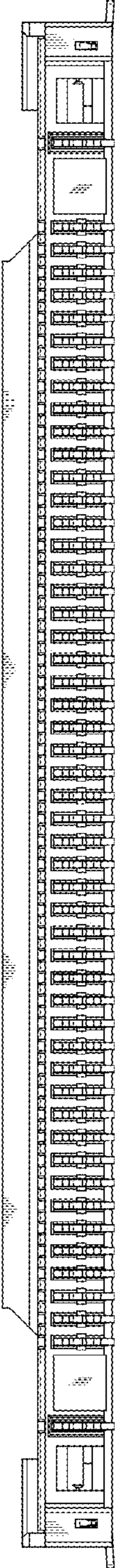


FIG.5

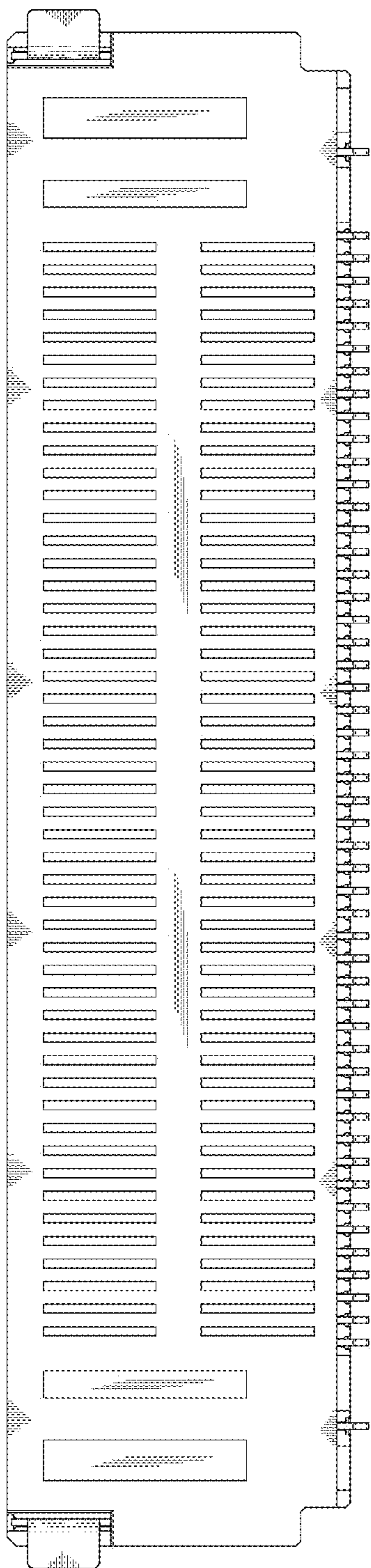


FIG.6

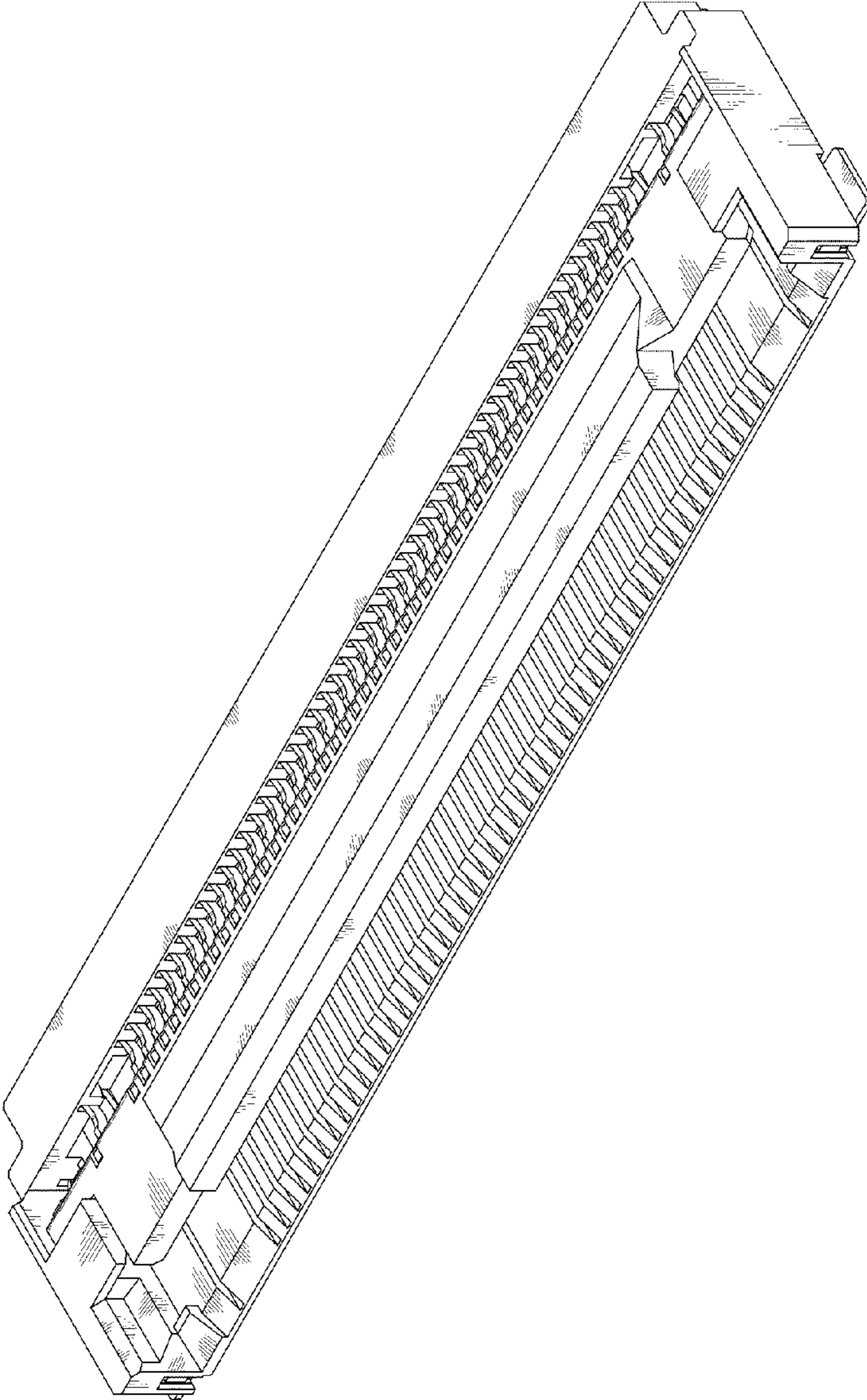


FIG.7

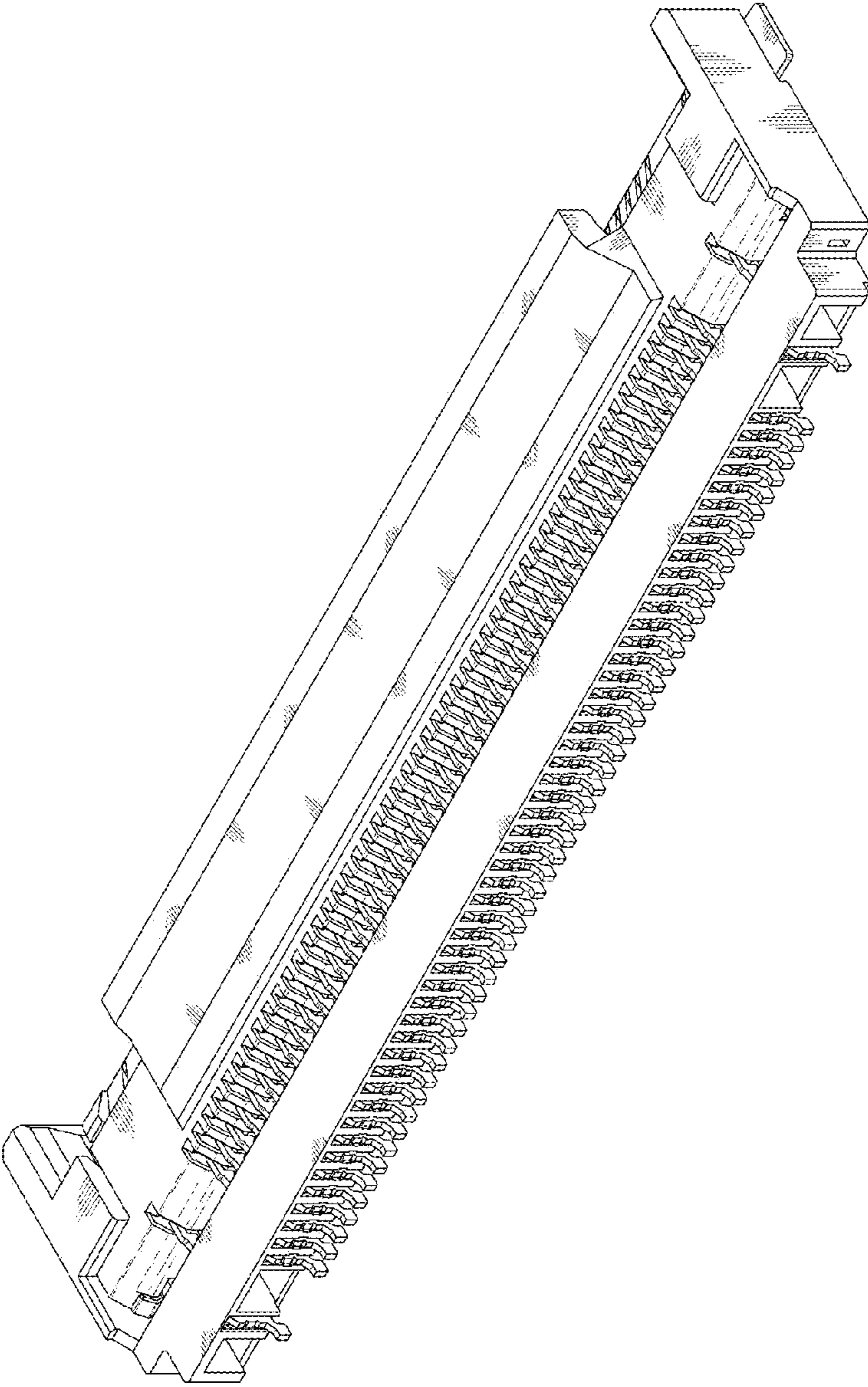


FIG.8

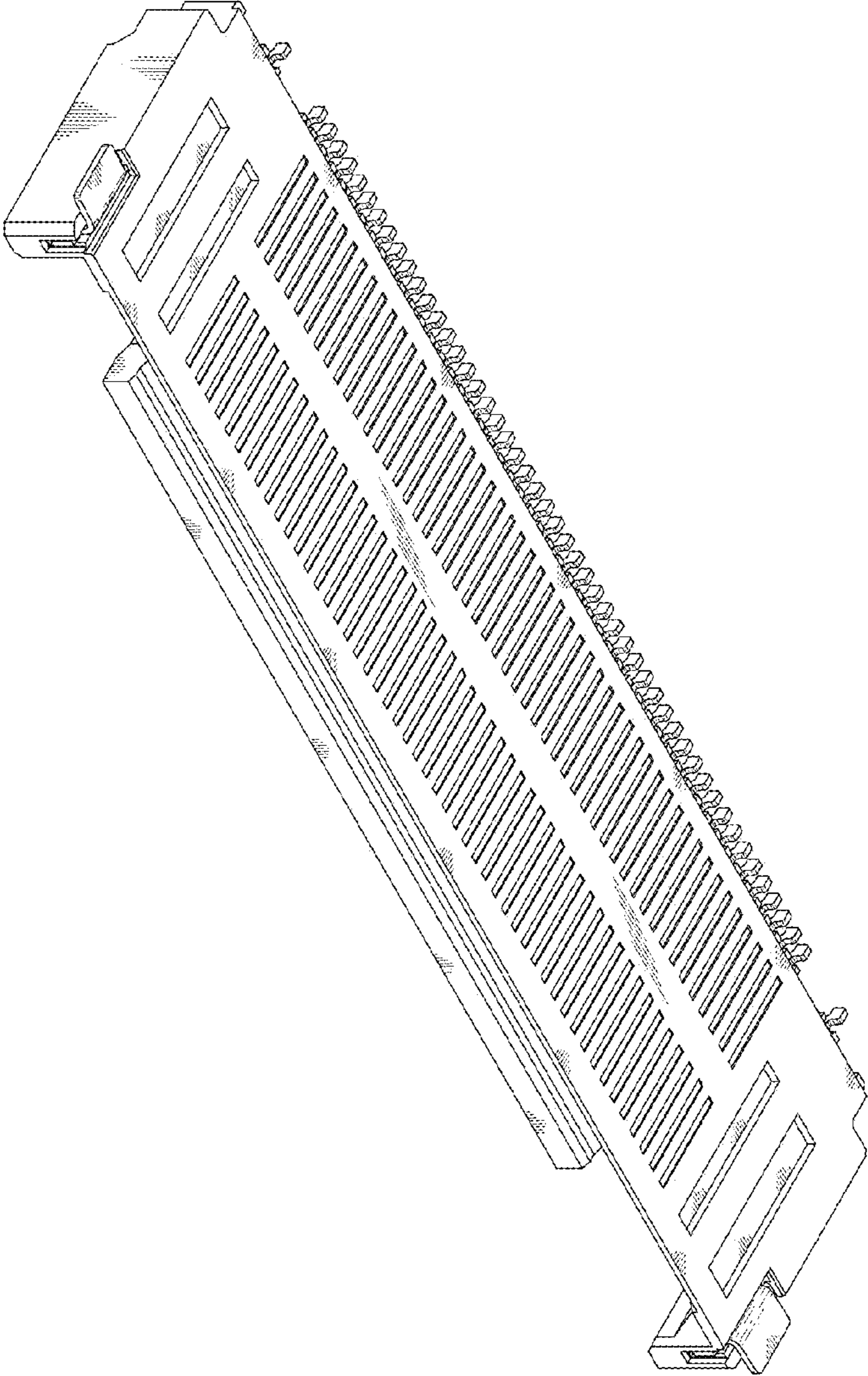


FIG.9

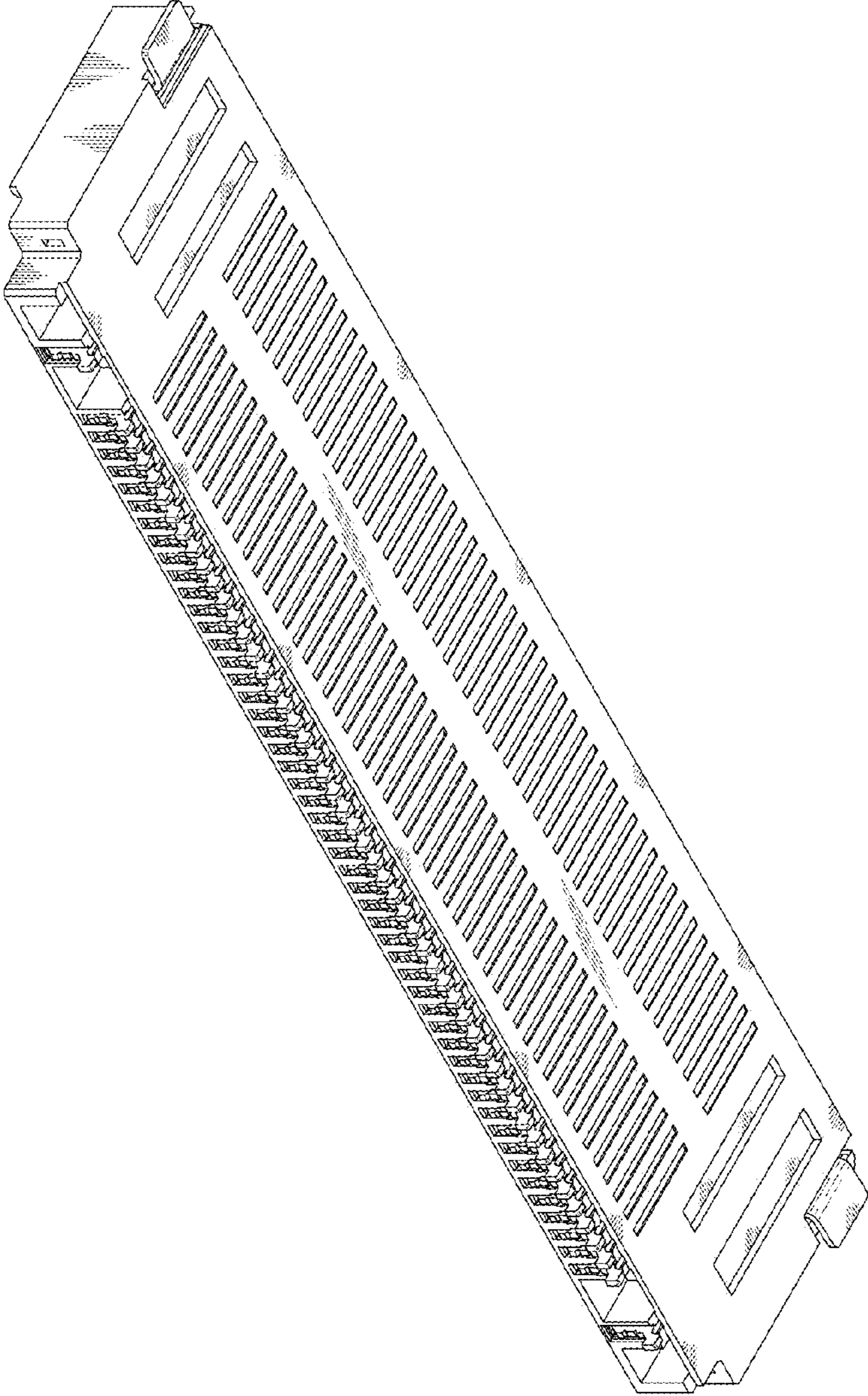


FIG.10