



US00D720297S

(12) **United States Design Patent**  
**Meis et al.**

(10) **Patent No.:** **US D720,297 S**

(45) **Date of Patent:** **\*\* Dec. 30, 2014**

(54) **ELECTRICAL CONNECTOR**

(56) **References Cited**

(71) Applicant: **Phoenix Contact GmbH & Co. KG**,  
Blomberg (DE)  
  
(72) Inventors: **Melanie Meis**, Paderborn (DE); **Ralf**  
**Bungenstock**, Blomberg (DE); **Frederik**  
**Effenberger**, Rheda-Wiedenbrueck  
(DE); **Carsten Garth**, Lemgo (DE);  
**Kirsten Zirkel**, Paderborn (DE); **Rik**  
**Stellbrink**, Bad Salzuflen (DE)  
  
(73) Assignee: **Phoenix Contact GmbH & Co. KG**,  
Blomberg (DE)

U.S. PATENT DOCUMENTS

D673,122 S \* 12/2012 Huss et al. .... D13/146  
D675,570 S \* 2/2013 Muller ..... D13/147  
D698,731 S \* 2/2014 Muller ..... D13/147  
D702,186 S \* 4/2014 Muller et al. .... D13/133  
D702,190 S \* 4/2014 Muller et al. .... D13/146

\* cited by examiner

*Primary Examiner* — Daniel Bui

(74) *Attorney, Agent, or Firm* — Leydig, Voit & Mayer, Ltd.

(\*\*) Term: **14 Years**

(57) **CLAIM**

The ornamental design for an electrical connector, as shown and described above.

(21) Appl. No.: **29/487,319**

**DESCRIPTION**

(22) Filed: **Apr. 8, 2014**

(30) **Foreign Application Priority Data**

Oct. 10, 2013 (EM) ..... 002324426-0001  
Oct. 10, 2013 (EM) ..... 002324426-0002

FIG. 1 is a top right front perspective view of a first embodiment of an electrical connector showing our new design;  
FIG. 2 is a left side elevational view thereof;  
FIG. 3 is a right side elevational view thereof;  
FIG. 4 is a front elevational view thereof;  
FIG. 5 is a rear elevational view thereof;  
FIG. 6 is a bottom plan view thereof;  
FIG. 7 is a top plan view thereof;  
FIG. 8 is a top right front perspective view of a second embodiment of an electrical connector showing our new design;  
FIG. 9 is a left side elevational view thereof;  
FIG. 10 is a right side elevational view thereof;  
FIG. 11 is a front elevational view thereof;  
FIG. 12 is a rear elevational view thereof;  
FIG. 13 is a bottom plan view thereof; and  
FIG. 14 is a top plan view thereof.

(51) **LOC (10) Cl.** ..... **13-03**

(52) **U.S. Cl.**  
USPC ..... **D13/146**

(58) **Field of Classification Search**  
USPC ..... D13/147, 154, 184, 199; 439/64, 79,  
439/159-160, 330, 331, 341, 342, 629, 630,  
439/636, 660, 607.01, 607.04, 607.05,  
439/607.17, 607.25, 607.34, 607.41,  
439/607.53, 862, 884, 946

See application file for complete search history.

**1 Claim, 14 Drawing Sheets**

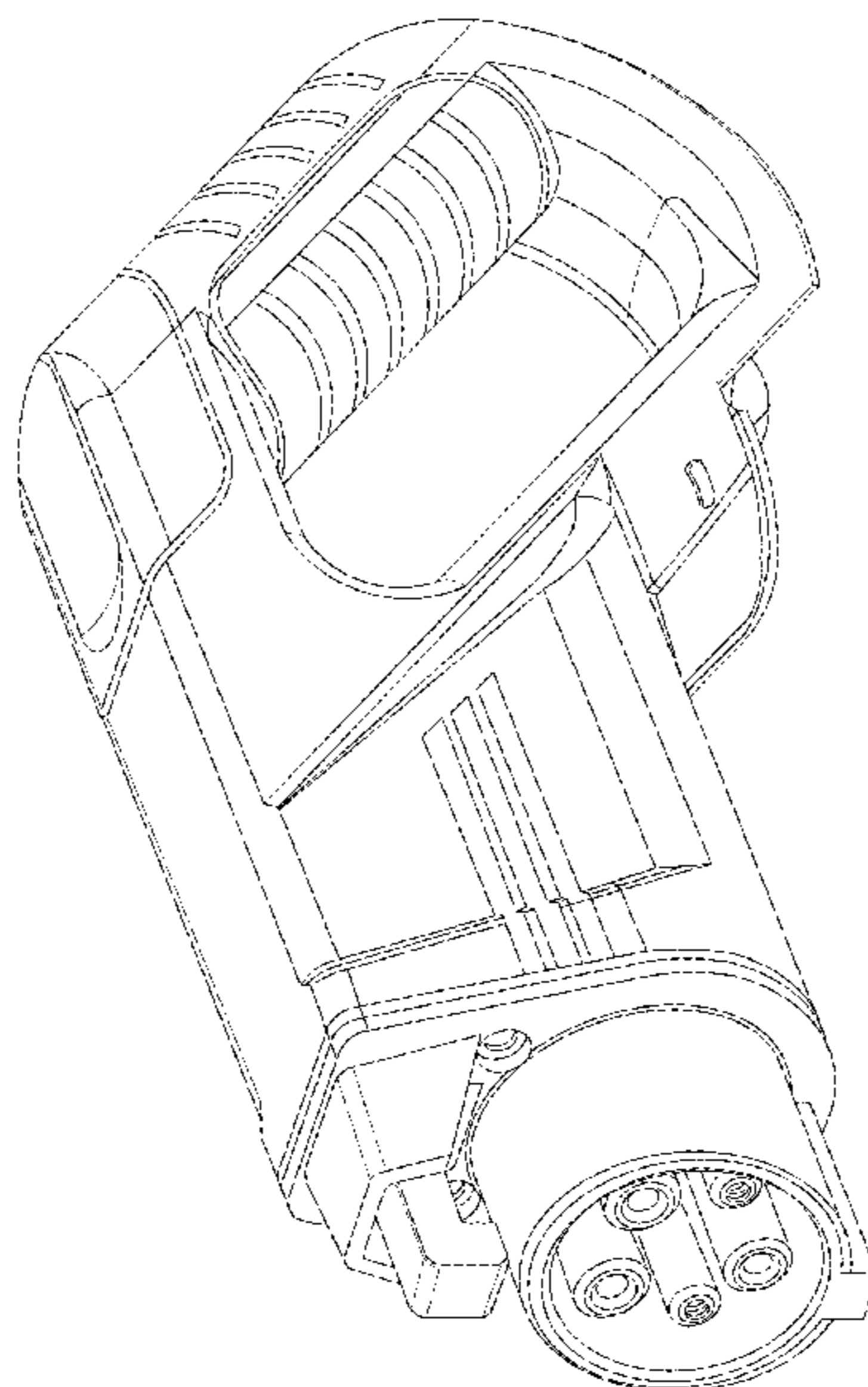


Fig. 1

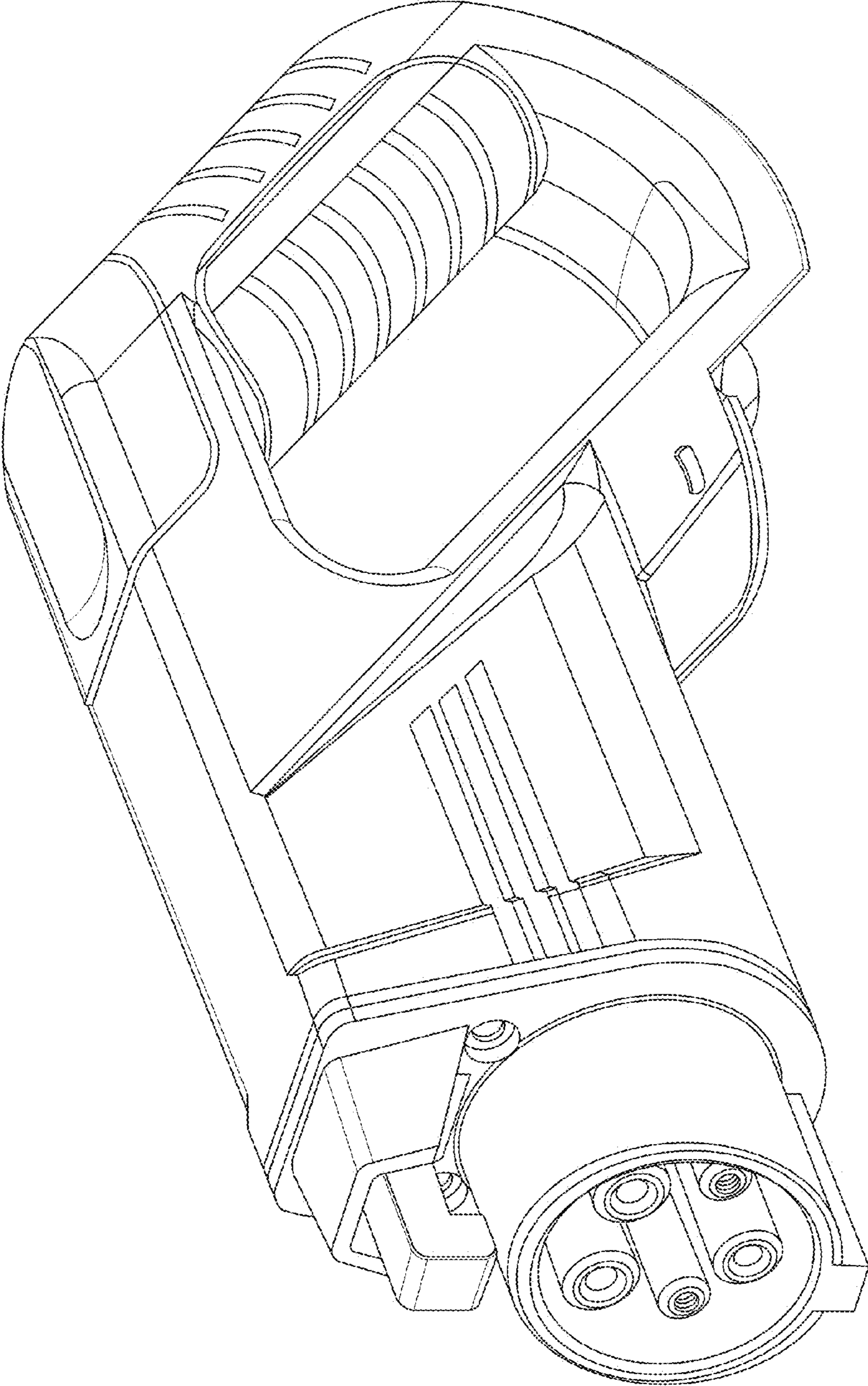


Fig. 2

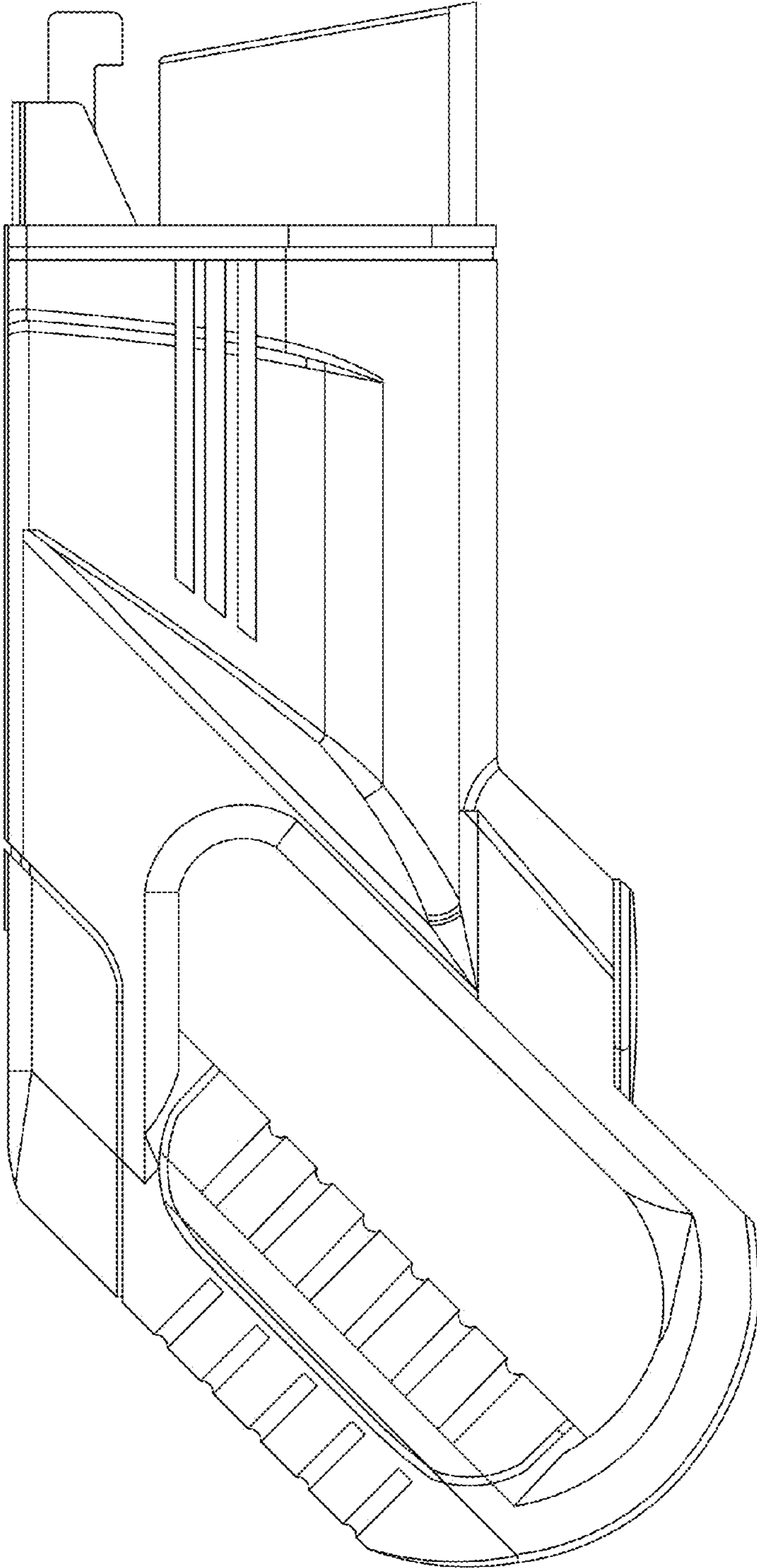




Fig. 3

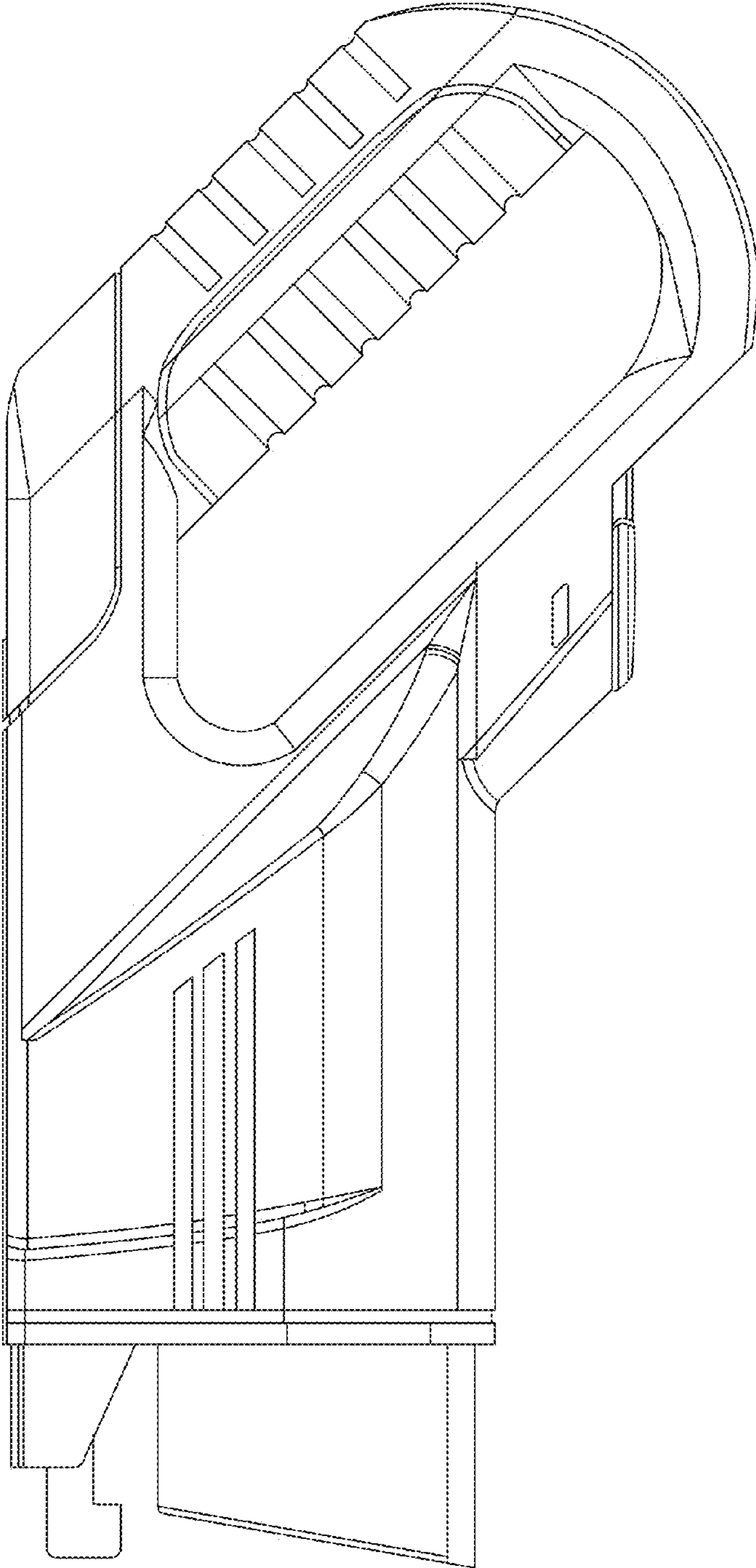


Fig. 4

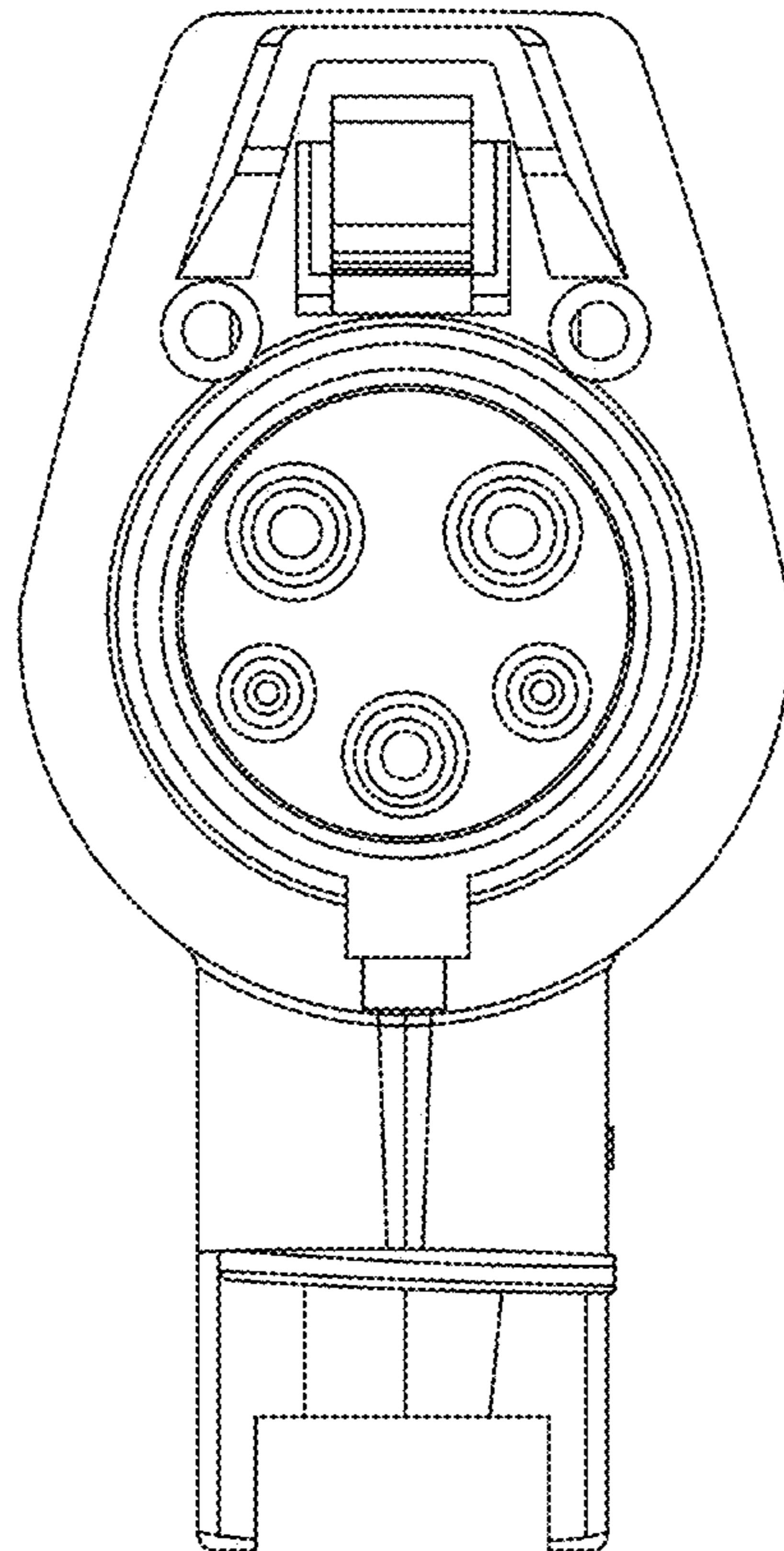


Fig. 5

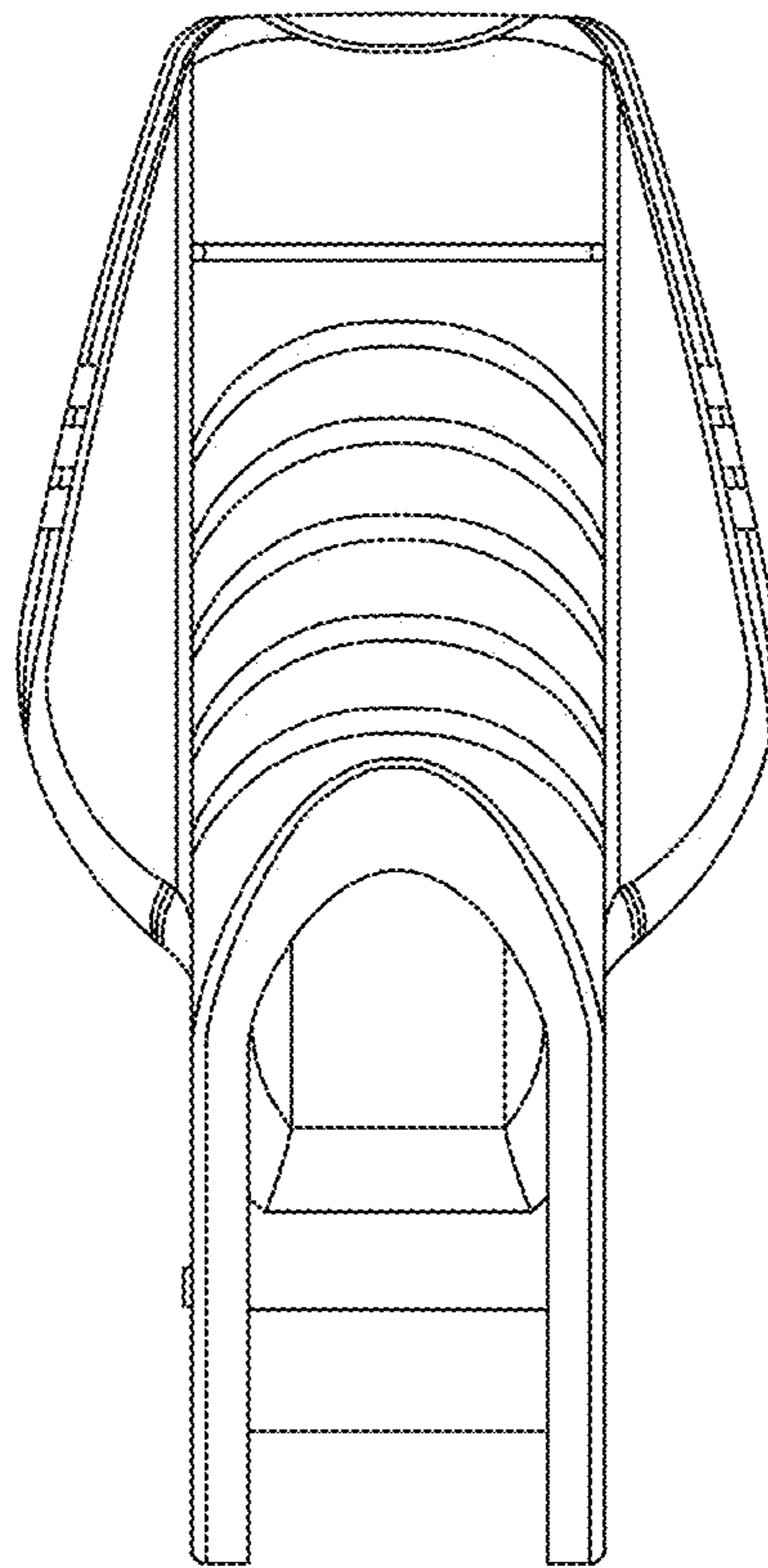


Fig. 6

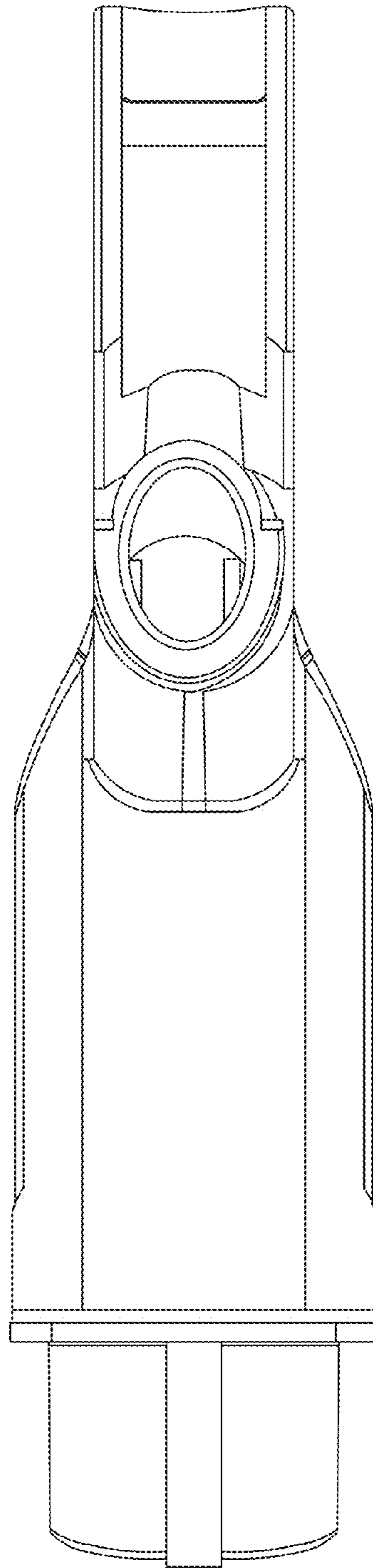


Fig. 7

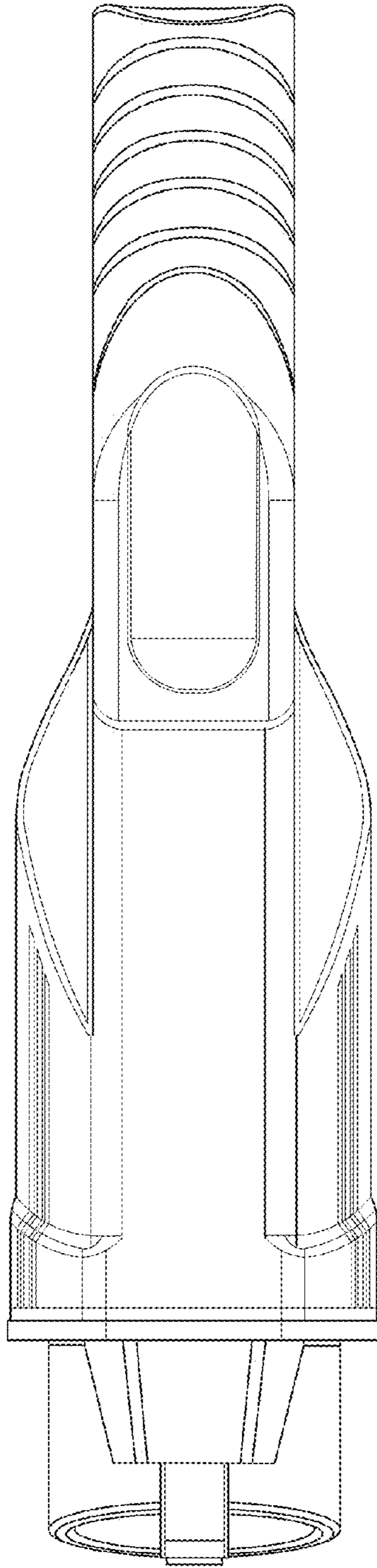




Fig. 8

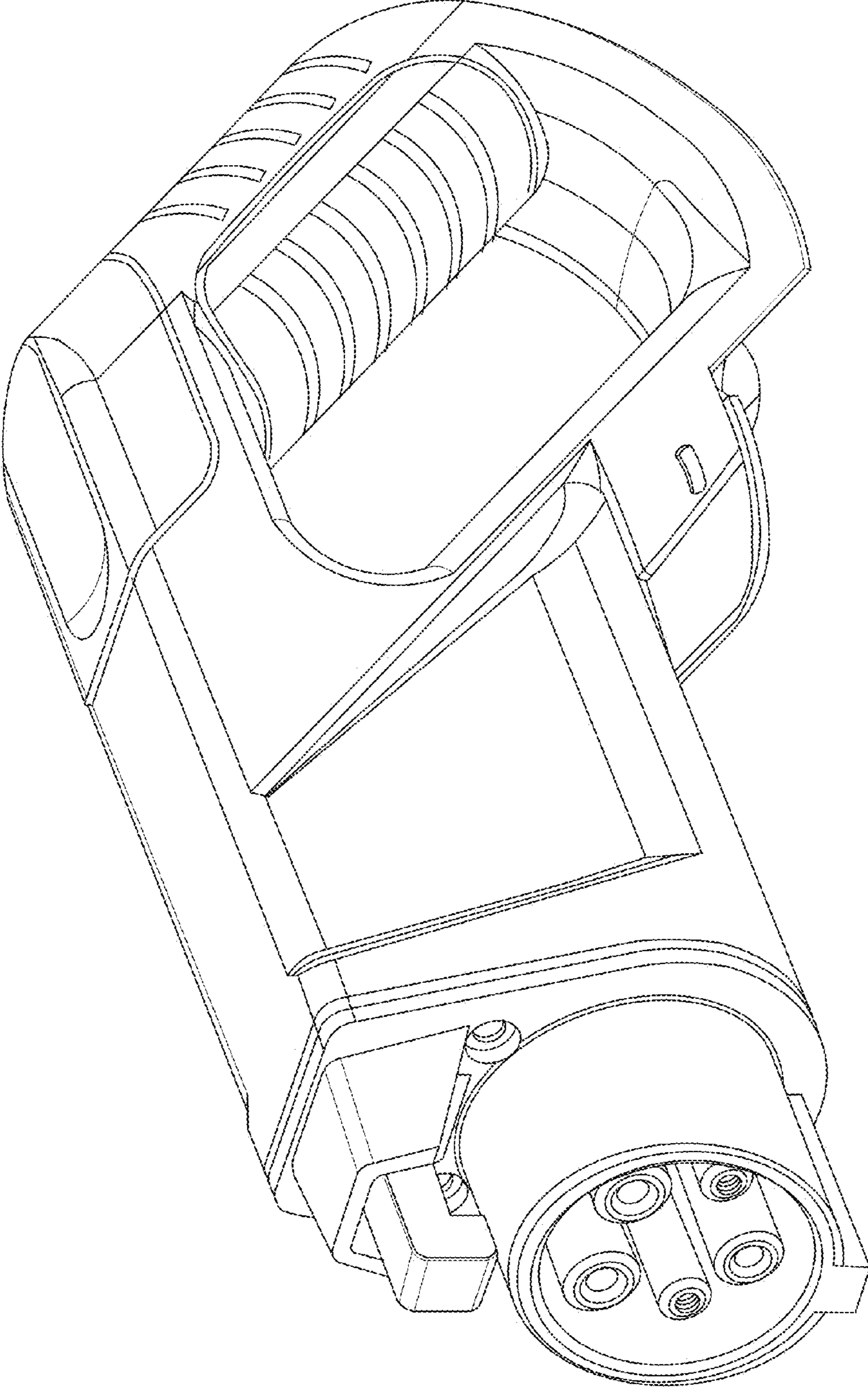


Fig. 9

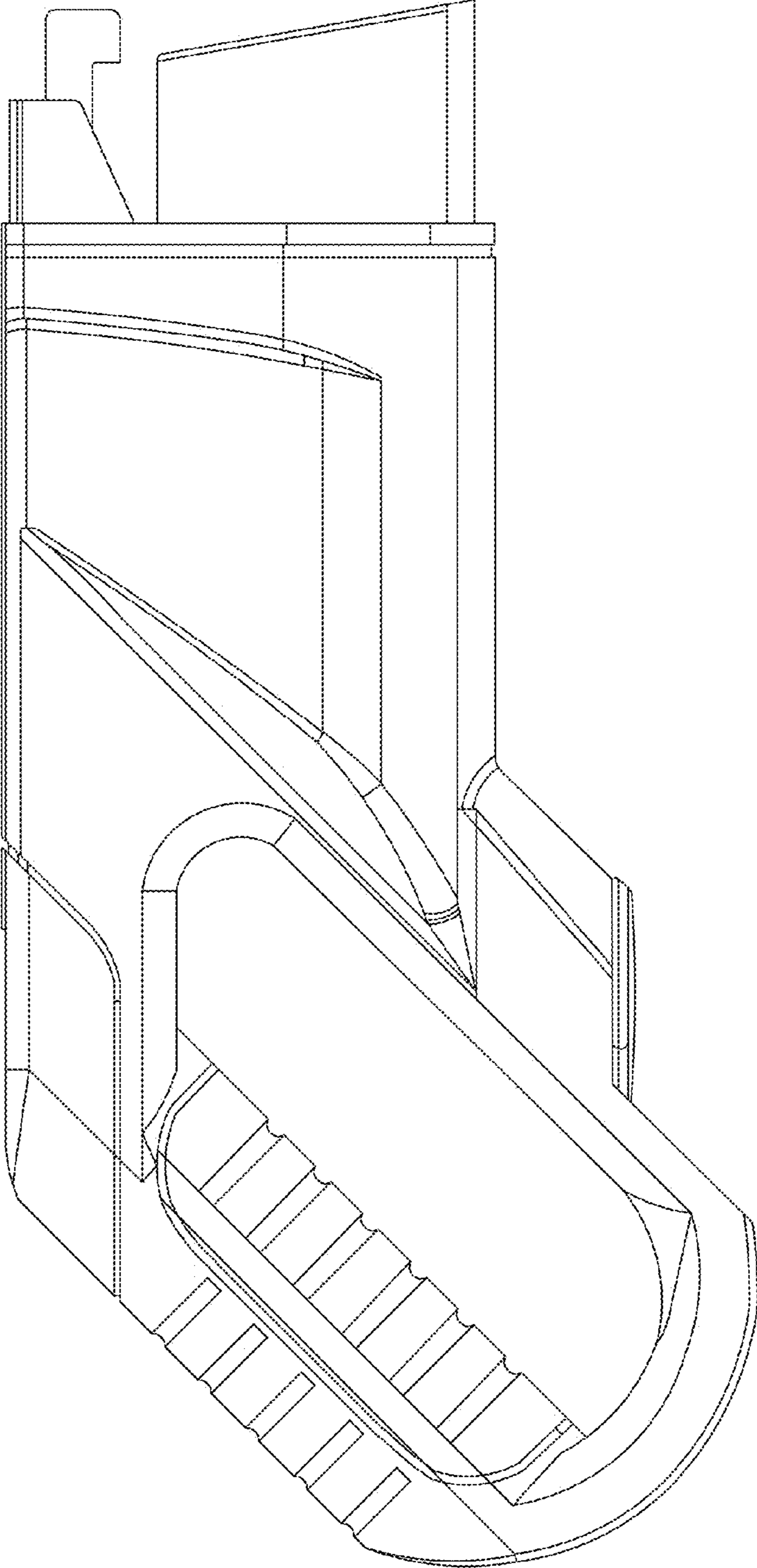


Fig. 10

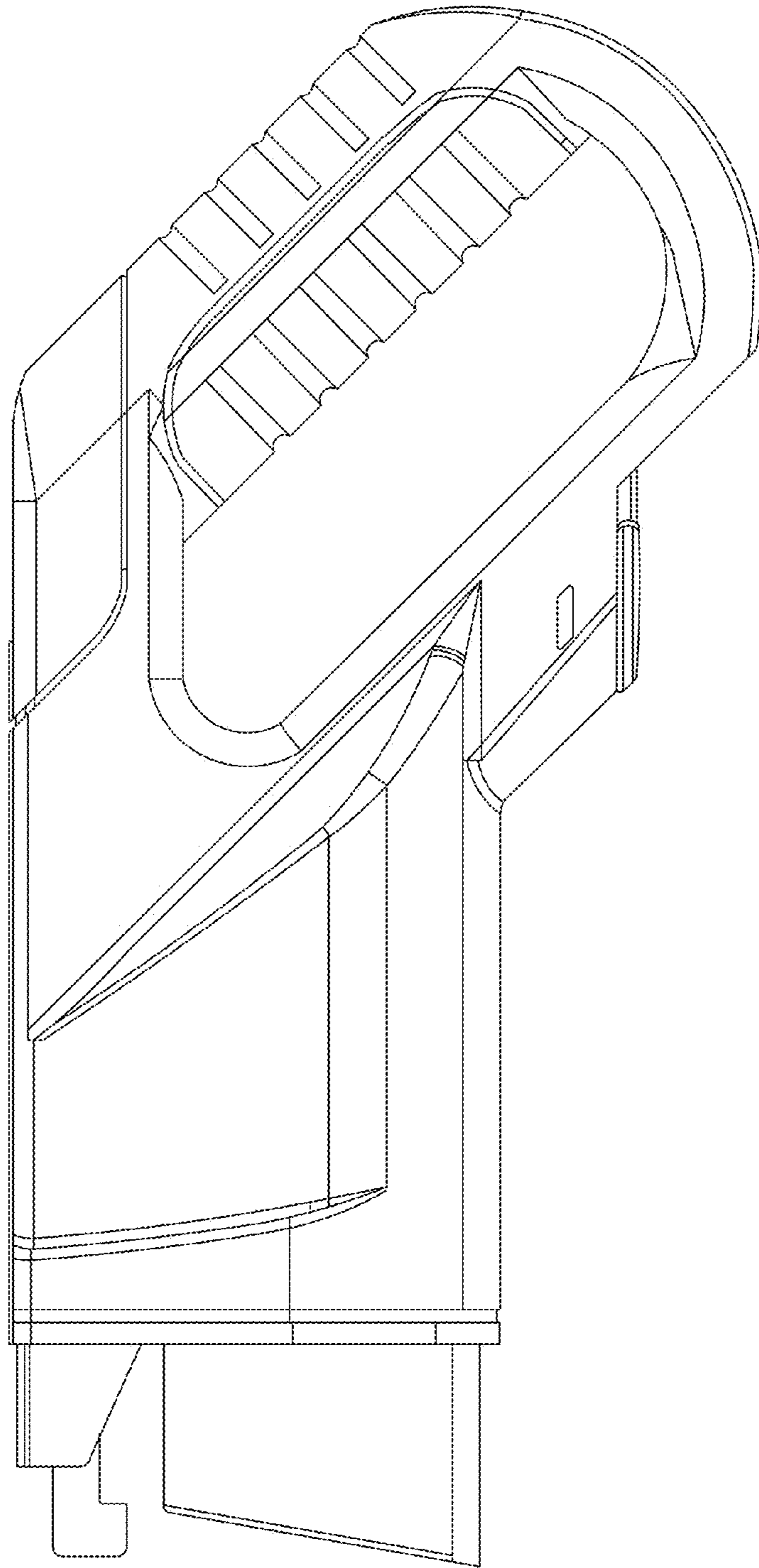


Fig. 11

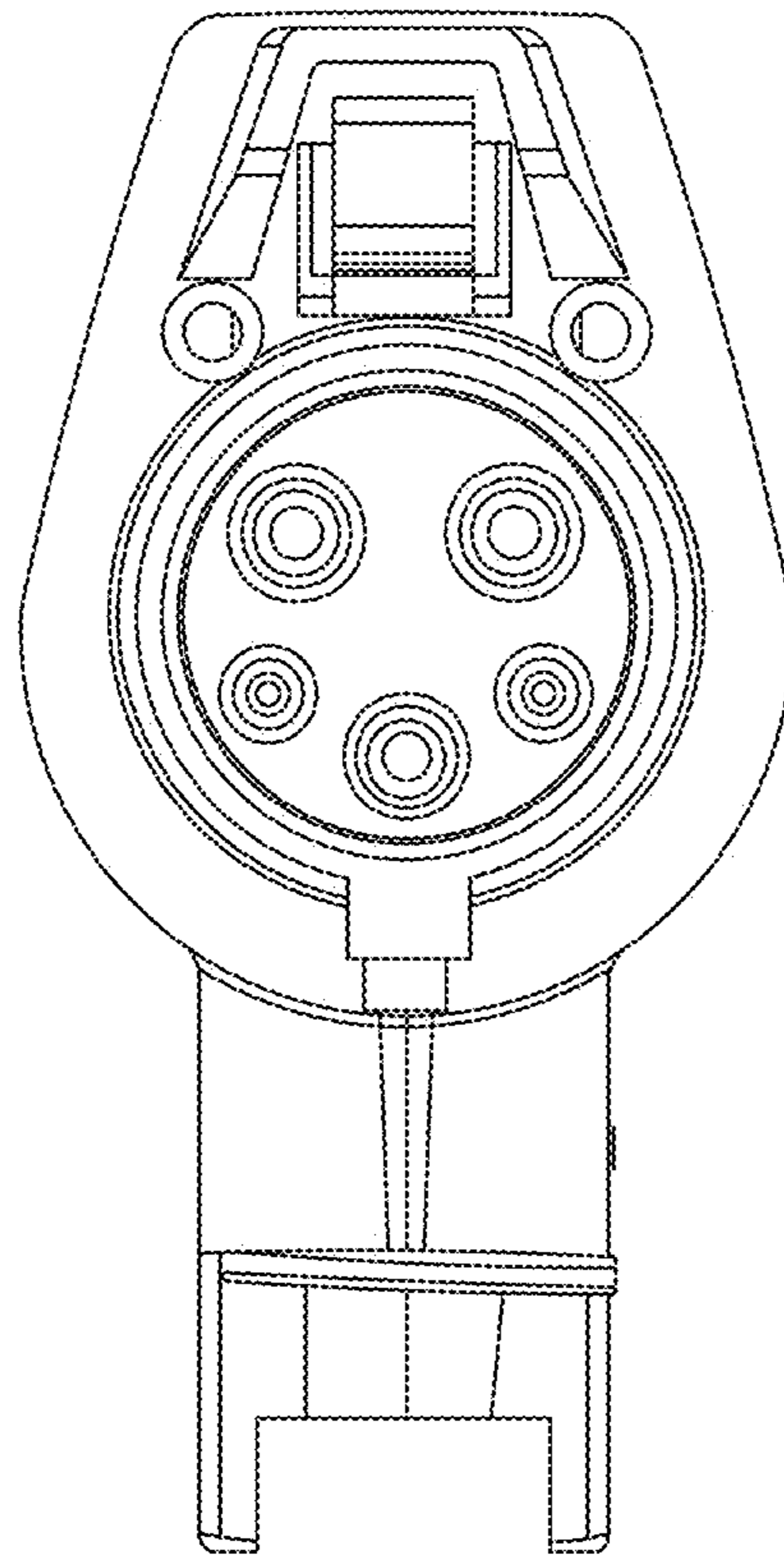


Fig. 12

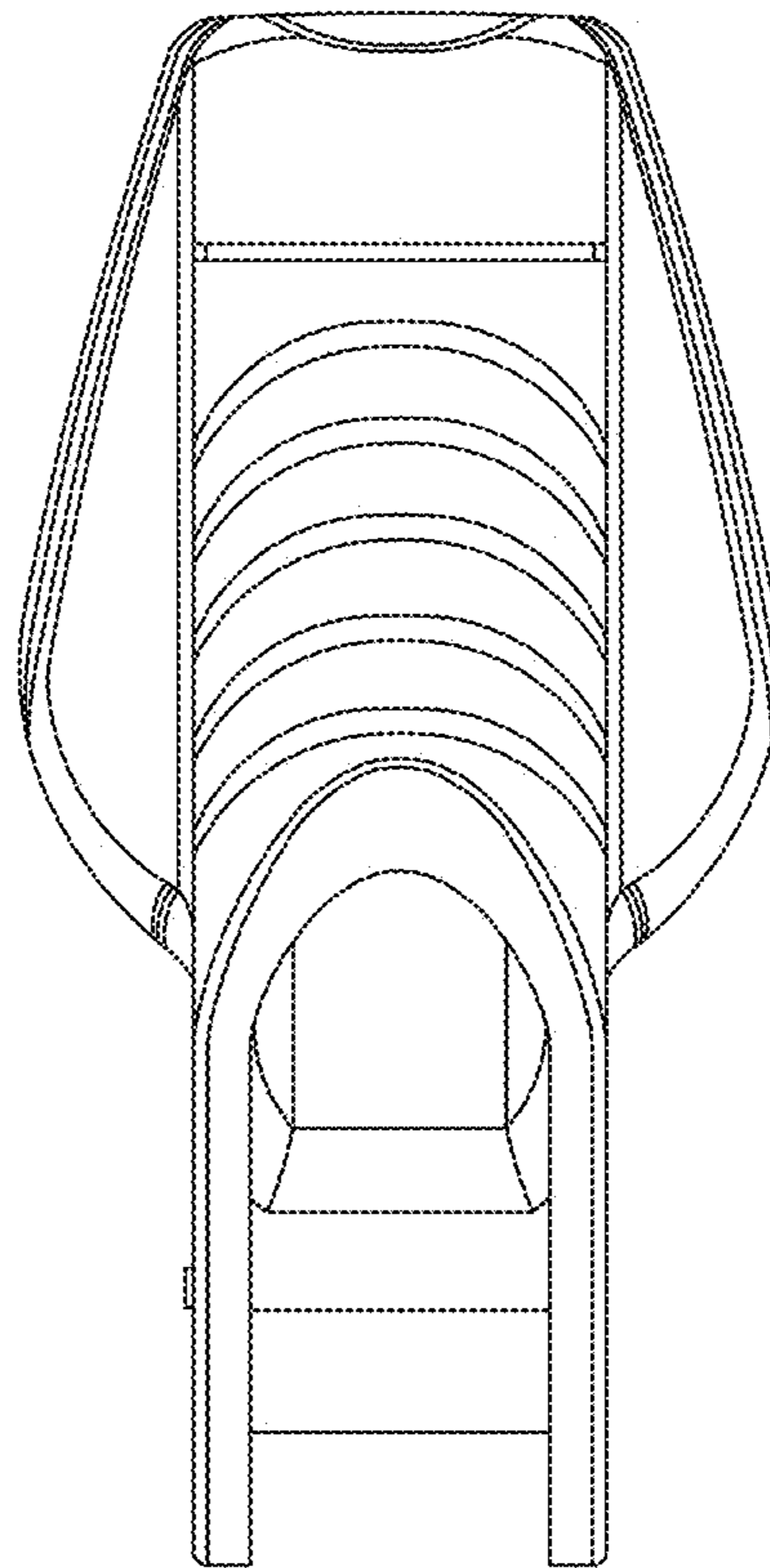




Fig. 13

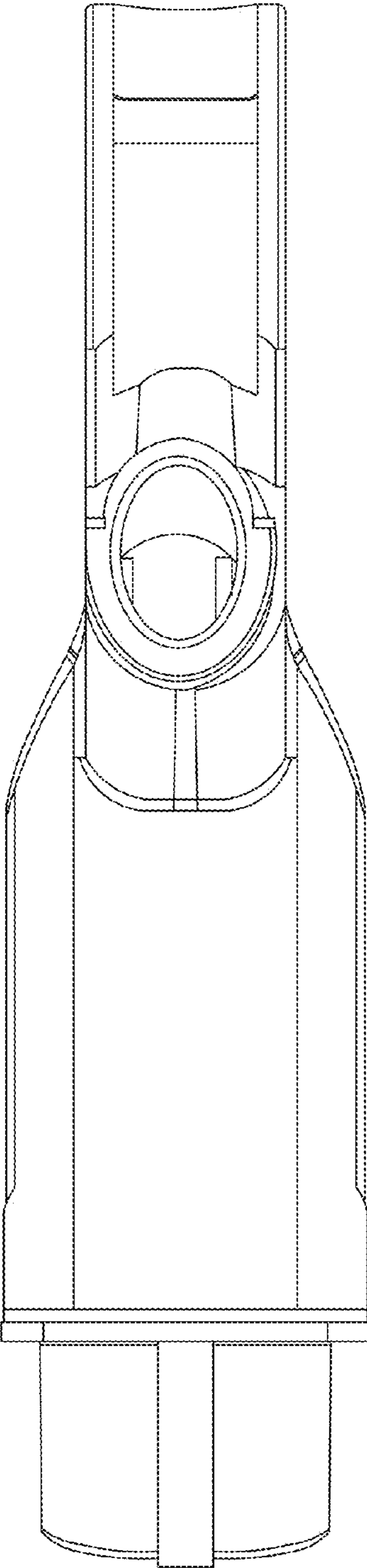


Fig. 14

