



US00D720294S

(12) **United States Design Patent**
Wu

(10) **Patent No.:** **US D720,294 S**

(45) **Date of Patent:** **** Dec. 30, 2014**

(54) **POWER SUPPLY SOCKET**

(71) Applicant: **Exito Electronics Co., Ltd.**, Gueishan
Hsiang, Taoyuan Hsien (TW)

(72) Inventor: **Meng-Hsiu Wu**, Taoyuan Hsien (TW)

(73) Assignee: **Exito Electronics Co., Ltd.**, Taoyuan
Hsien (TW)

(**) Term: **14 Years**

(21) Appl. No.: **29/450,348**

(22) Filed: **Mar. 17, 2013**

(51) **LOC (10) Cl.** **13-03**

(52) **U.S. Cl.**
USPC **D13/139.1**

(58) **Field of Classification Search**
USPC D13/139.1, 139.4, 139.7, 199,
D13/137.1-137.4, 153-155, 160, 184;
220/3.2, 3.3, 3.4-3.9; 174/50, 51;
439/502, 535, 536, 650-655, 675, 668,
439/623; D10/40, 56; D8/1; D30/154
See application file for complete search history.

(56) **References Cited**

U.S. PATENT DOCUMENTS

D355,890 S	*	2/1995	Lentz	D13/139.4
D412,694 S	*	8/1999	Kovacik et al.	D13/139.4
D431,477 S	*	10/2000	Stekelenburg	D10/40
D453,497 S	*	2/2002	Stekelenburg	D13/139.4
D453,732 S	*	2/2002	Stekelenburg	D13/139.4
D460,415 S	*	7/2002	Stekelenburg	D13/139.4

D483,723 S	*	12/2003	Adachi et al.	D13/139.7
D511,696 S	*	11/2005	Stekelenburg	D10/40
D515,503 S	*	2/2006	Lee	D13/139.4
D516,029 S	*	2/2006	Stekelenburg	D13/139.4
7,041,899 B2	*	5/2006	Stekelenburg	174/50
D553,919 S	*	10/2007	Gross et al.	D8/1
D638,360 S	*	5/2011	Kan	D13/139.4
D647,853 S	*	11/2011	Kan	D13/139.4
D679,457 S	*	4/2013	Chance et al.	D30/154
D692,325 S	*	10/2013	Meyer	D10/56

* cited by examiner

Primary Examiner — Ian Simmons

Assistant Examiner — Rhea Shields

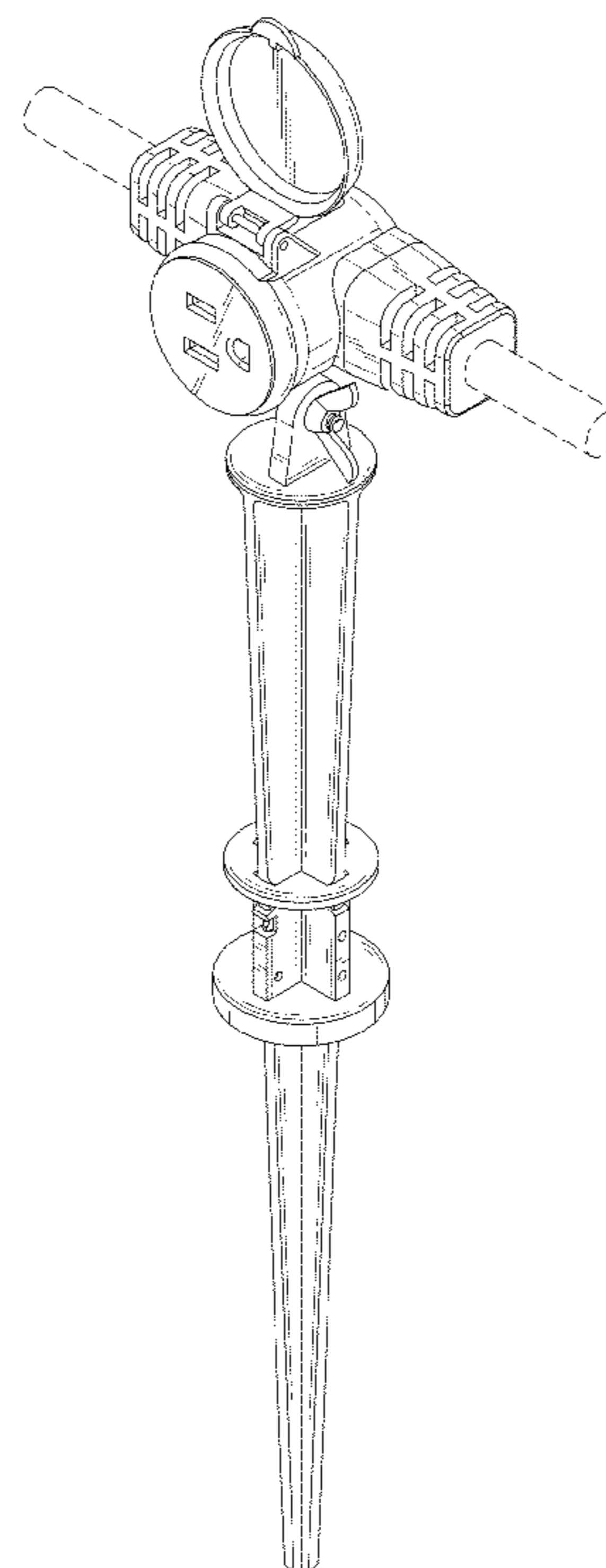
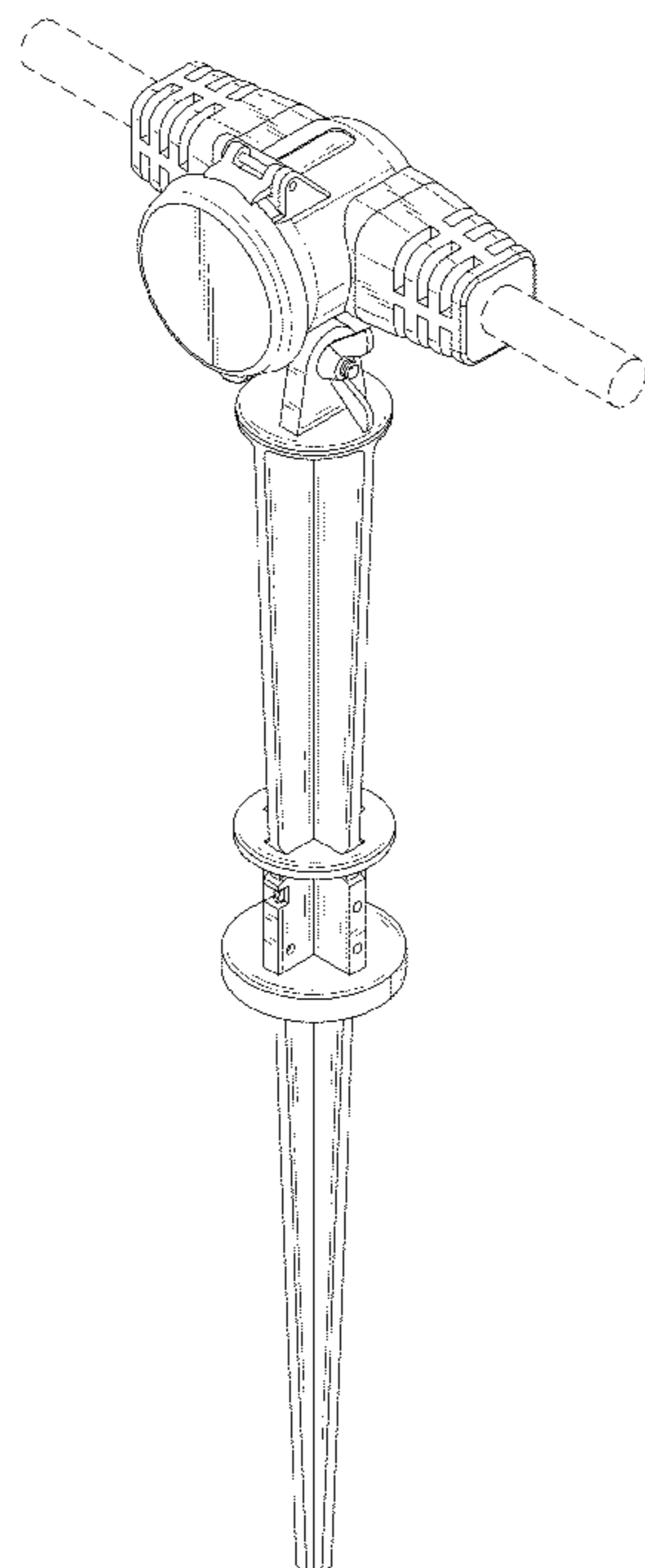
(57) **CLAIM**

The ornamental design for a power supply socket, as shown and described.

DESCRIPTION

FIG. 1 is a front perspective view of a power supply socket showing my new design;
FIG. 2 is a front elevational view thereof;
FIG. 3 is a rear elevational view thereof;
FIG. 4 is a left side elevational view thereof;
FIG. 5 is a right side elevational view thereof;
FIG. 6 is a top plan view thereof;
FIG. 7 is a bottom plan view thereof; and,
FIG. 8 is a front perspective view showing the cover of the power supply socket in an open state.
In the drawings, the broken lines depict unclaimed subject matter only and form no part of the claimed design.

1 Claim, 7 Drawing Sheets



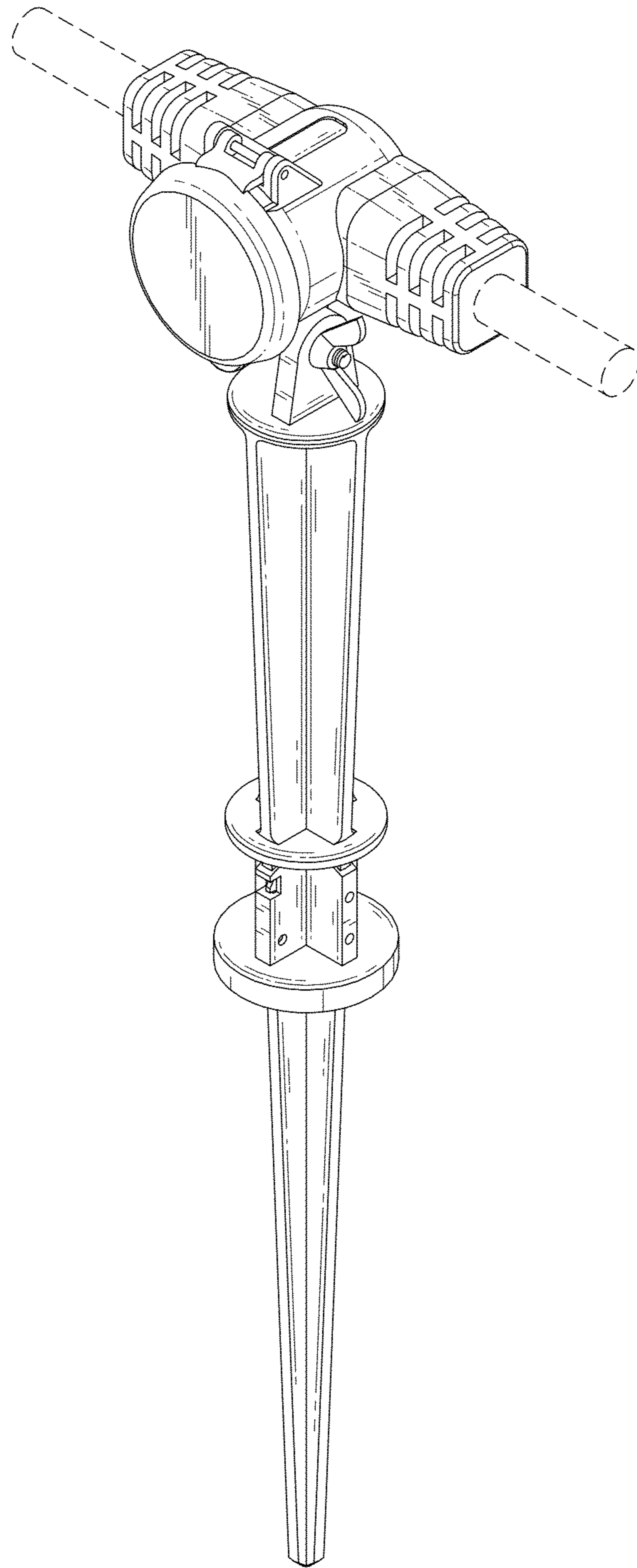


Fig.1

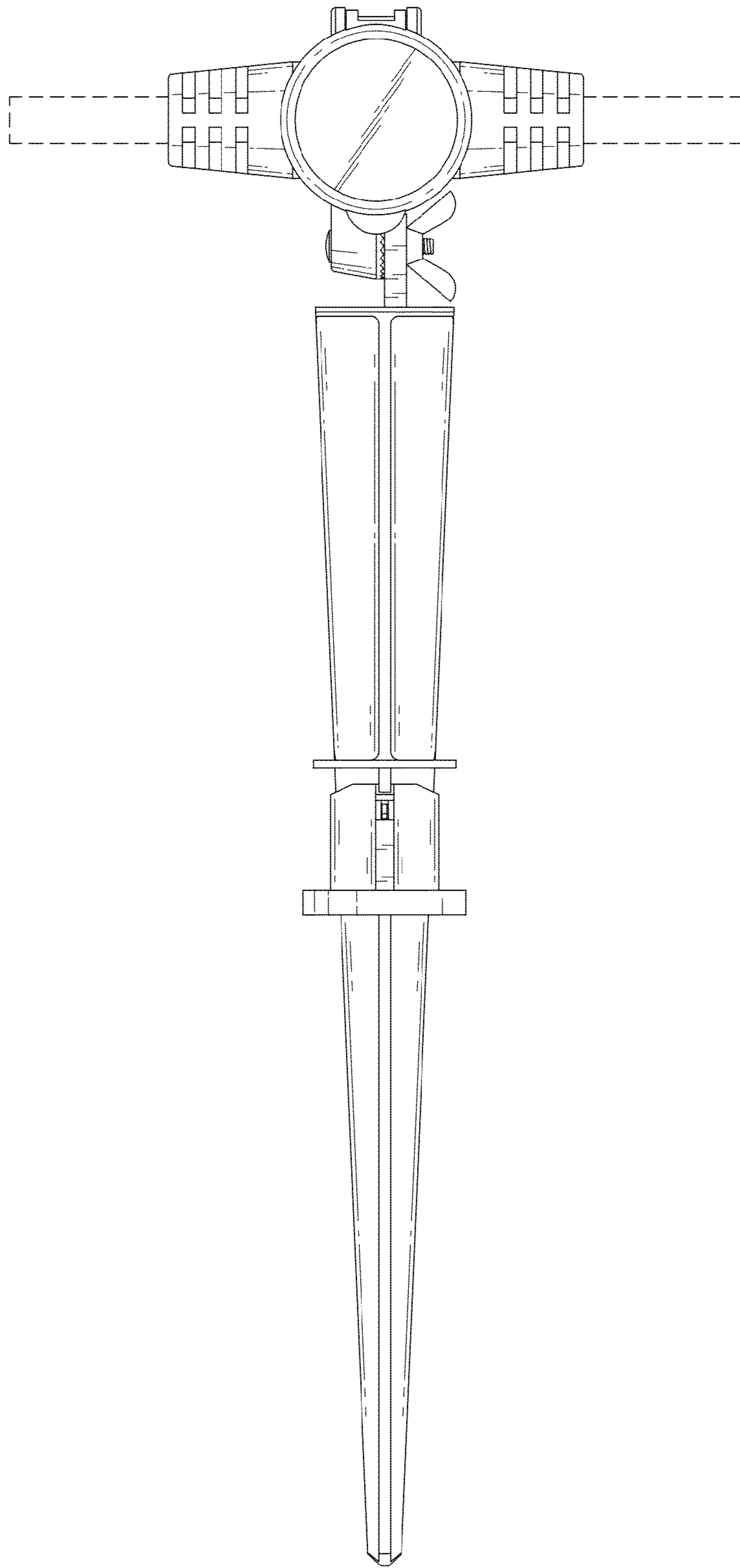


Fig.2

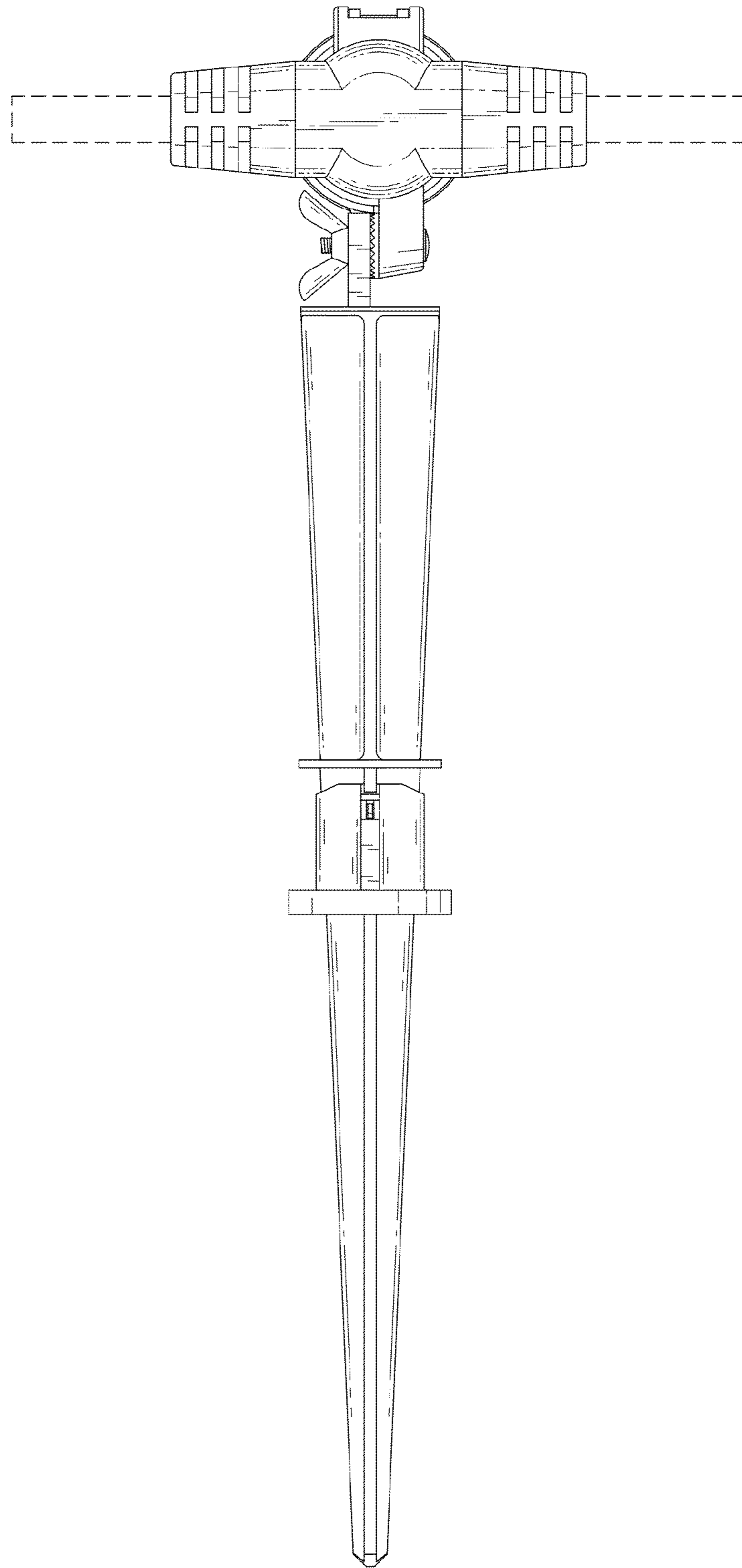


Fig.3

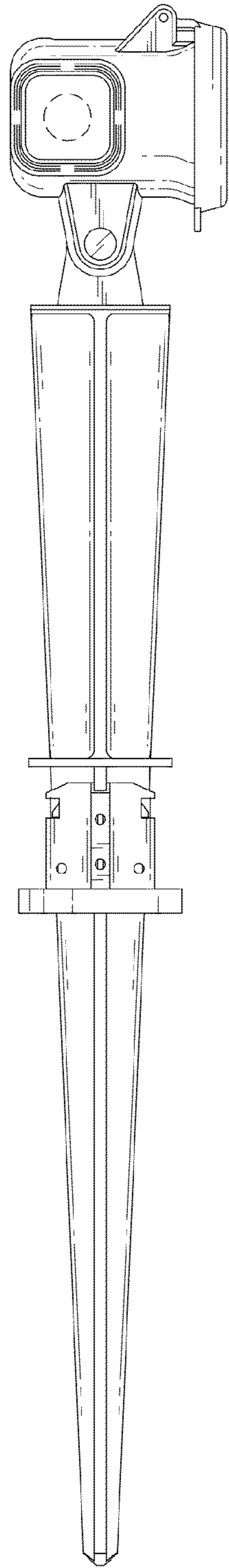


Fig.4

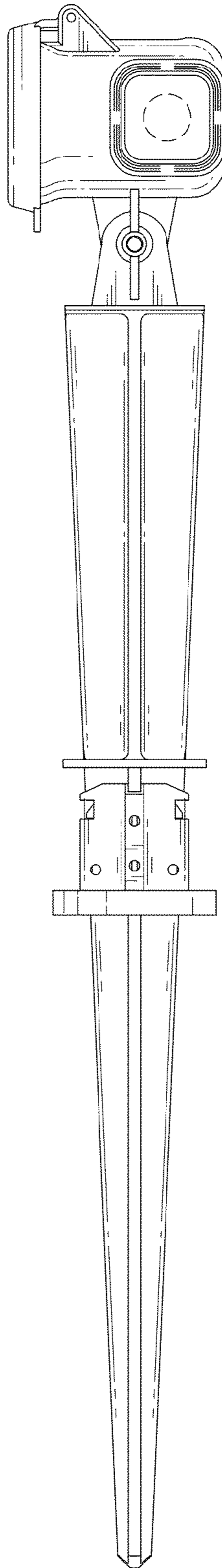


Fig.5

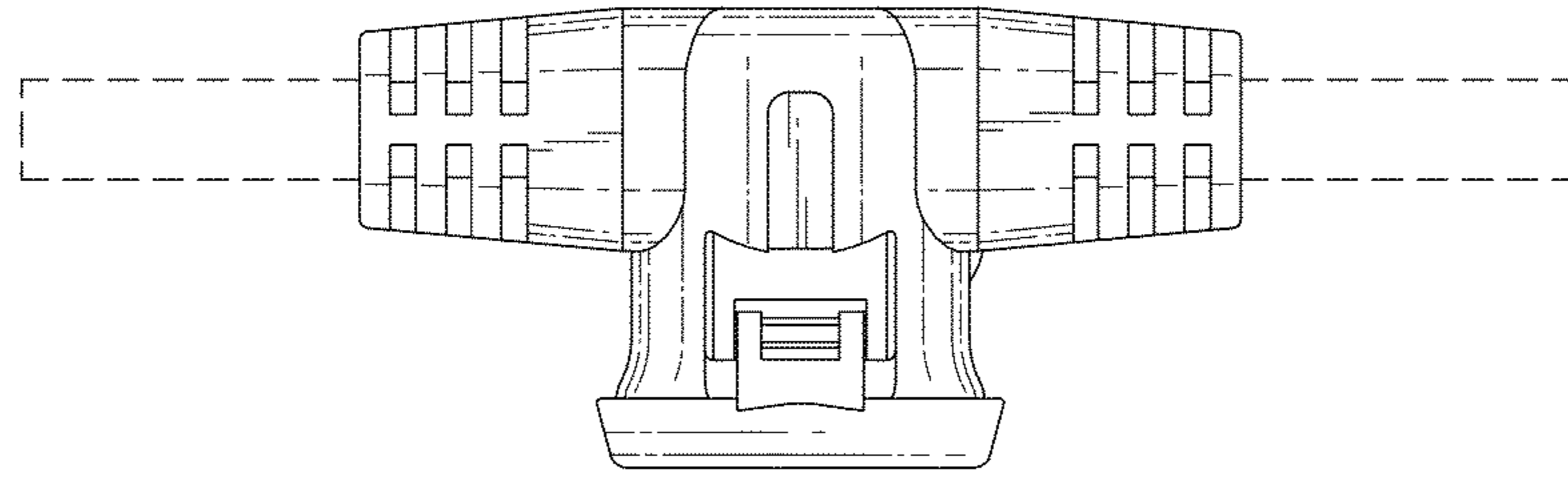


Fig. 6

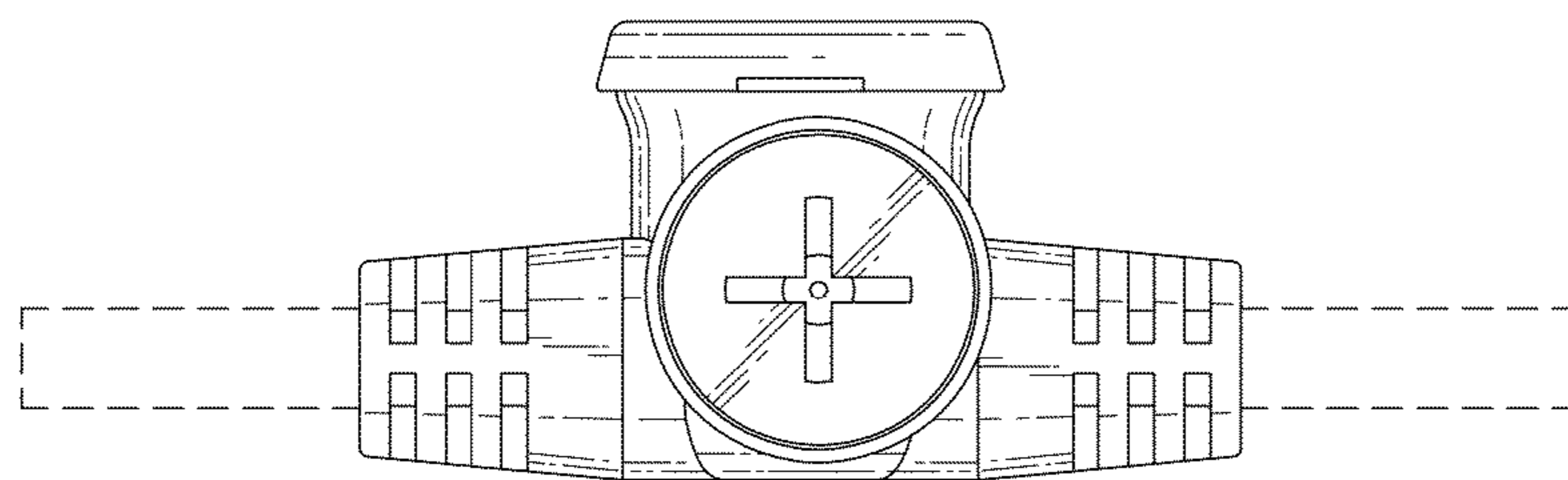


Fig. 7

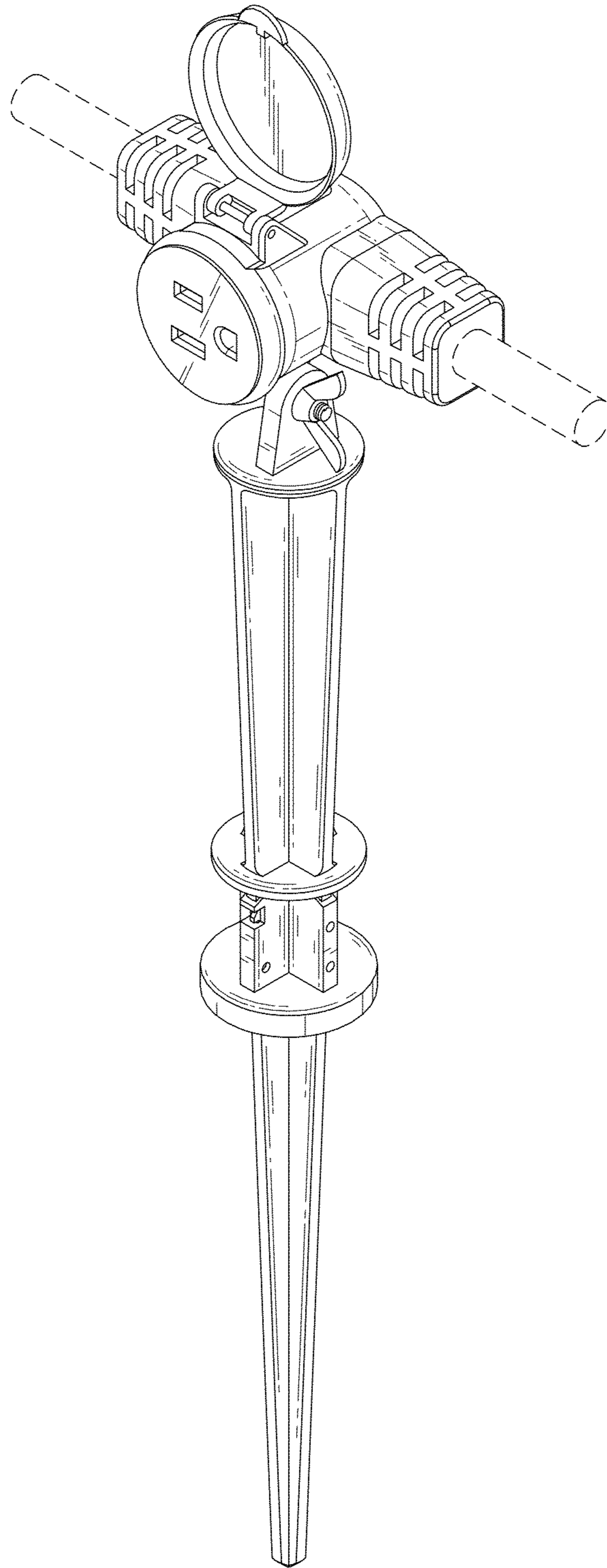


Fig.8