



US00D720293S

(12) **United States Design Patent**  
**Saunders**

(10) **Patent No.:** **US D720,293 S**

(45) **Date of Patent:** **\*\* Dec. 30, 2014**

(54) **BATTERY CONNECTION ADAPTER USED WITH A PORTABLE BATTERY**

(71) Applicant: **North America Rescue, LLC**, Greer, SC (US)

(72) Inventor: **Darrel Saunders**, Simpsonville, SC (US)

(73) Assignee: **North American Rescue, LLC**, Greer, SC (US)

(\*\*) Term: **14 Years**

(21) Appl. No.: **29/433,609**

(22) Filed: **Oct. 2, 2012**

(51) **LOC (10) Cl.** ..... **13-03**

(52) **U.S. Cl.**  
USPC ..... **D13/133**

(58) **Field of Classification Search**  
USPC ..... D13/103-122, 133, 149, 151, 153, 154,  
D13/156; 320/107-115; 439/199, 200, 202,  
439/388, 500, 504  
See application file for complete search history.

(56) **References Cited**

U.S. PATENT DOCUMENTS

|           |     |        |                |       |         |
|-----------|-----|--------|----------------|-------|---------|
| 4,213,079 | A * | 7/1980 | Mullersman     | ..... | 320/111 |
| D316,082  | S * | 4/1991 | Gartwhaite     | ..... | D13/151 |
| D410,895  | S * | 6/1999 | Bandura et al. | ..... | D13/147 |
| D537,783  | S * | 3/2007 | Hamada et al.  | ..... | D13/133 |
| D586,299  | S * | 2/2009 | Suzuki et al.  | ..... | D13/151 |

|              |      |         |                  |       |         |
|--------------|------|---------|------------------|-------|---------|
| D649,970     | S *  | 12/2011 | Lyford et al.    | ..... | D14/433 |
| D664,924     | S *  | 8/2012  | Zhang et al.     | ..... | D13/133 |
| 8,389,141    | B2 * | 3/2013  | Suzuki et al.    | ..... | 429/97  |
| D688,203     | S *  | 8/2013  | Shimizu          | ..... | D13/147 |
| D704,669     | S *  | 5/2014  | Casagrande       | ..... | D13/156 |
| 2004/0021442 | A1 * | 2/2004  | Higashino        | ..... | 320/112 |
| 2009/0066288 | A1 * | 3/2009  | Altekruse et al. | ..... | 320/107 |
| 2010/0105239 | A1 * | 4/2010  | Li et al.        | ..... | 439/366 |

\* cited by examiner

*Primary Examiner* — Susan Bennett Hattan

*Assistant Examiner* — Brett Miller

(74) *Attorney, Agent, or Firm* — McNair Law Firm, P.A.;  
Douglas W. Kim

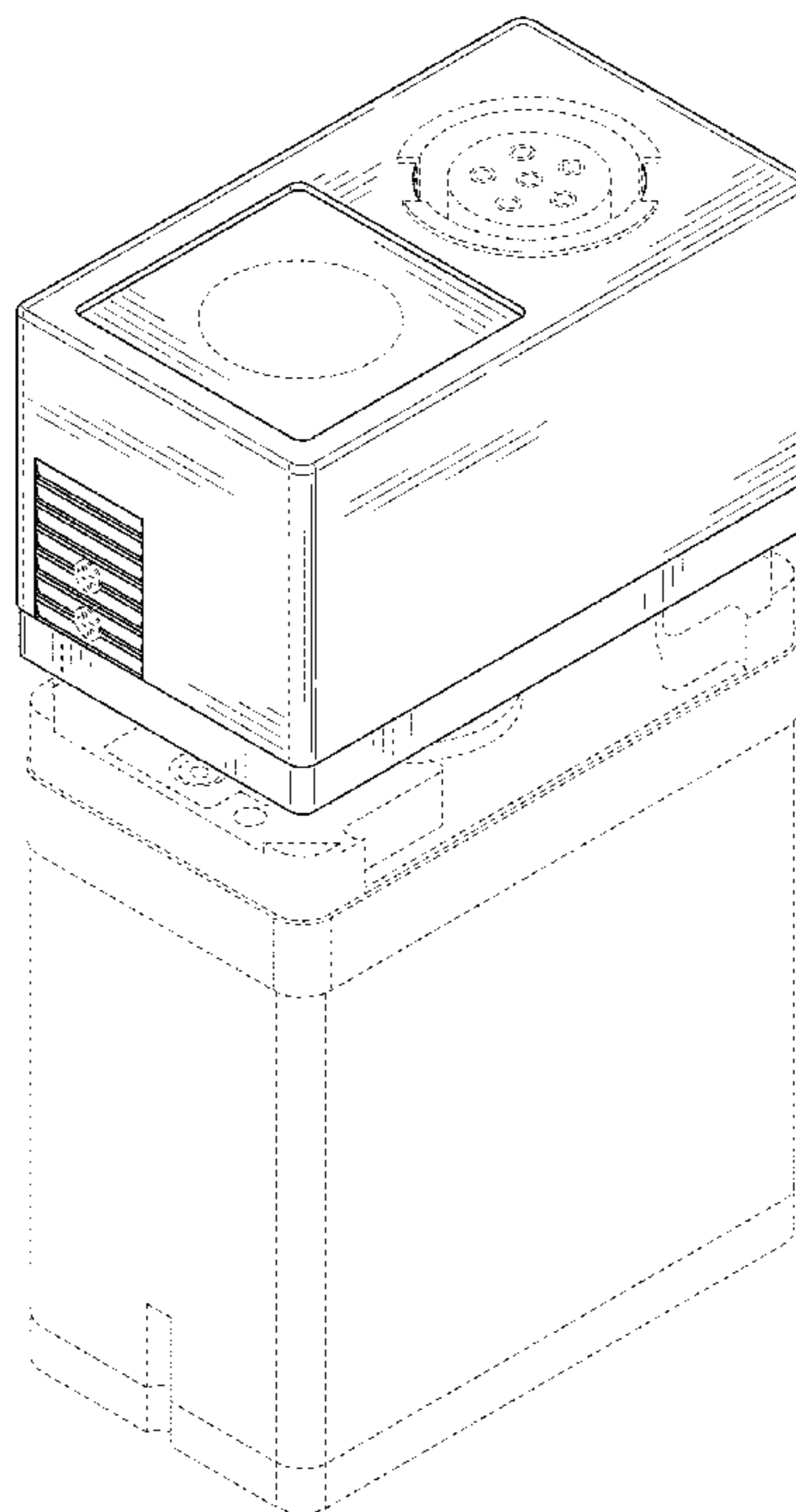
(57) **CLAIM**

The ornamental design for a battery connection adapter used with a portable battery, as shown and described.

**DESCRIPTION**

FIG. 1 is a top view of the battery connection adapter; FIG. 2 is a bottom view of the battery connection adapter; FIG. 3 is a front view of the battery connection adapter; FIG. 4 is a rear view of the battery connection adapter; FIG. 5 is a left side of the battery connection adapter; FIG. 6 is a right side of the battery connection adapter; FIG. 7 is a perspective view of the battery connection adapter; FIG. 8 is a perspective view of the battery connection adapter; and, FIG. 9 is a perspective view of the battery connection adapter. The broken lines in the drawings represent unclaimed environmental subject matter.

**1 Claim, 6 Drawing Sheets**



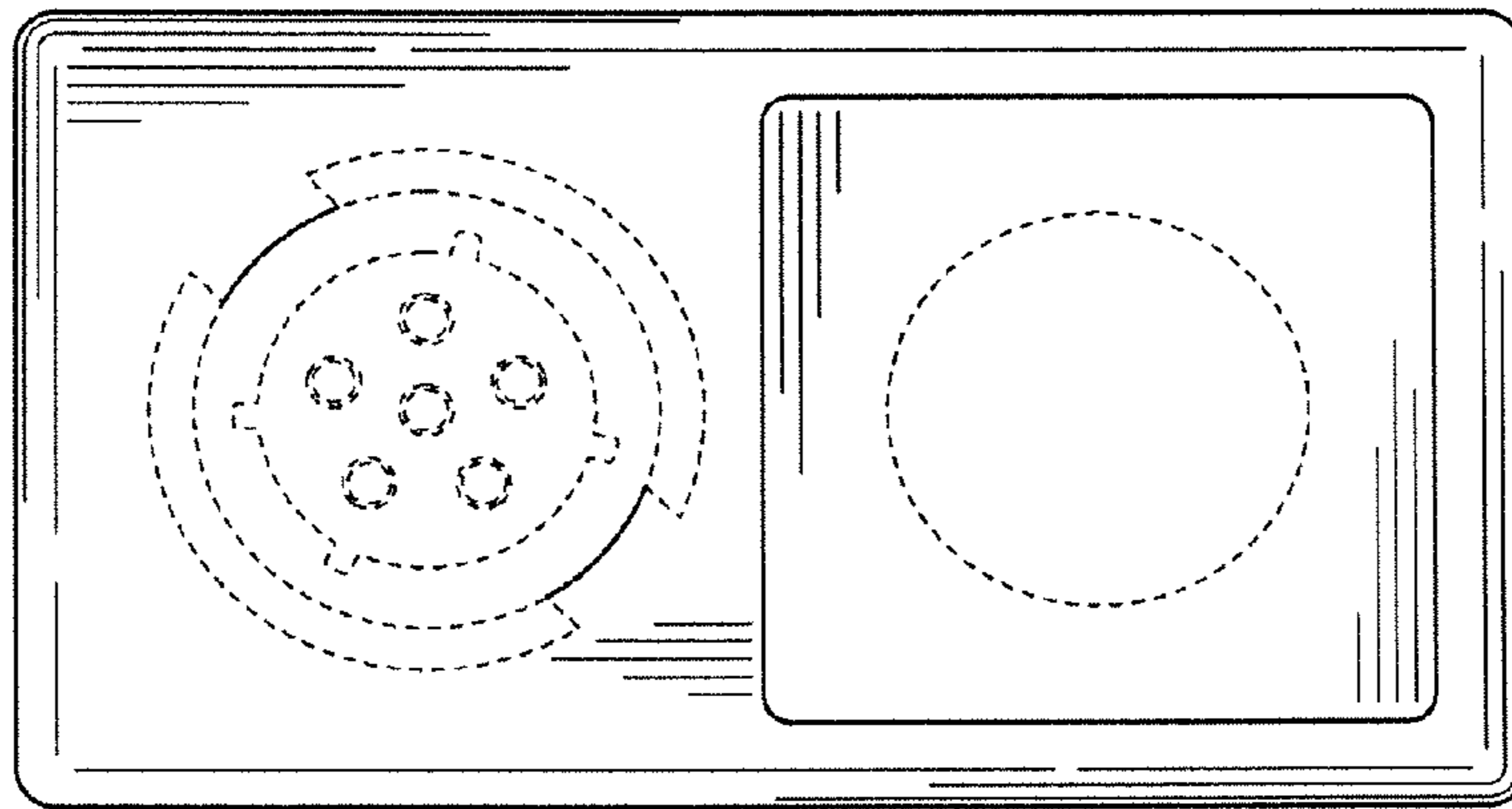


FIG. 1

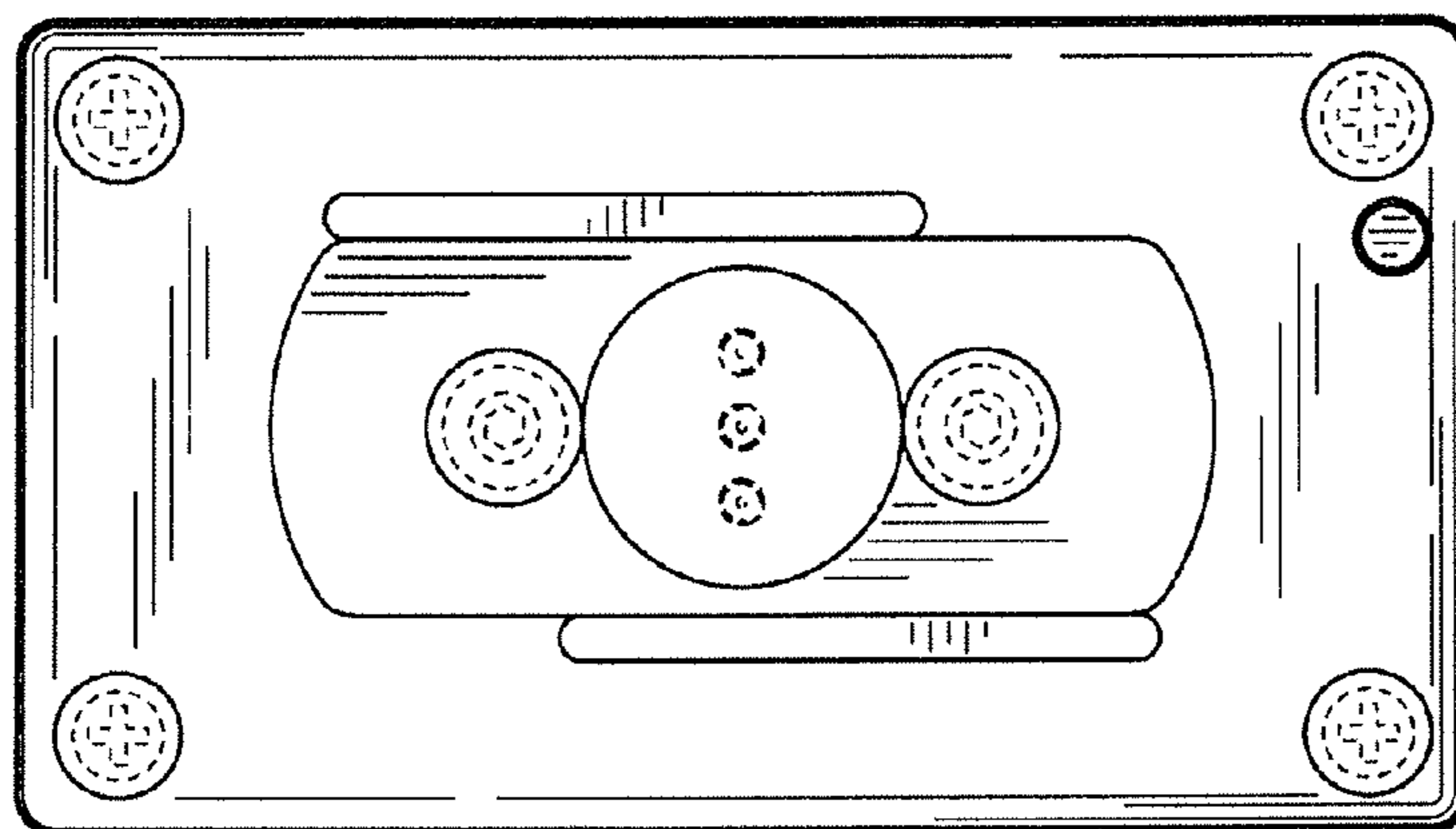


FIG. 2

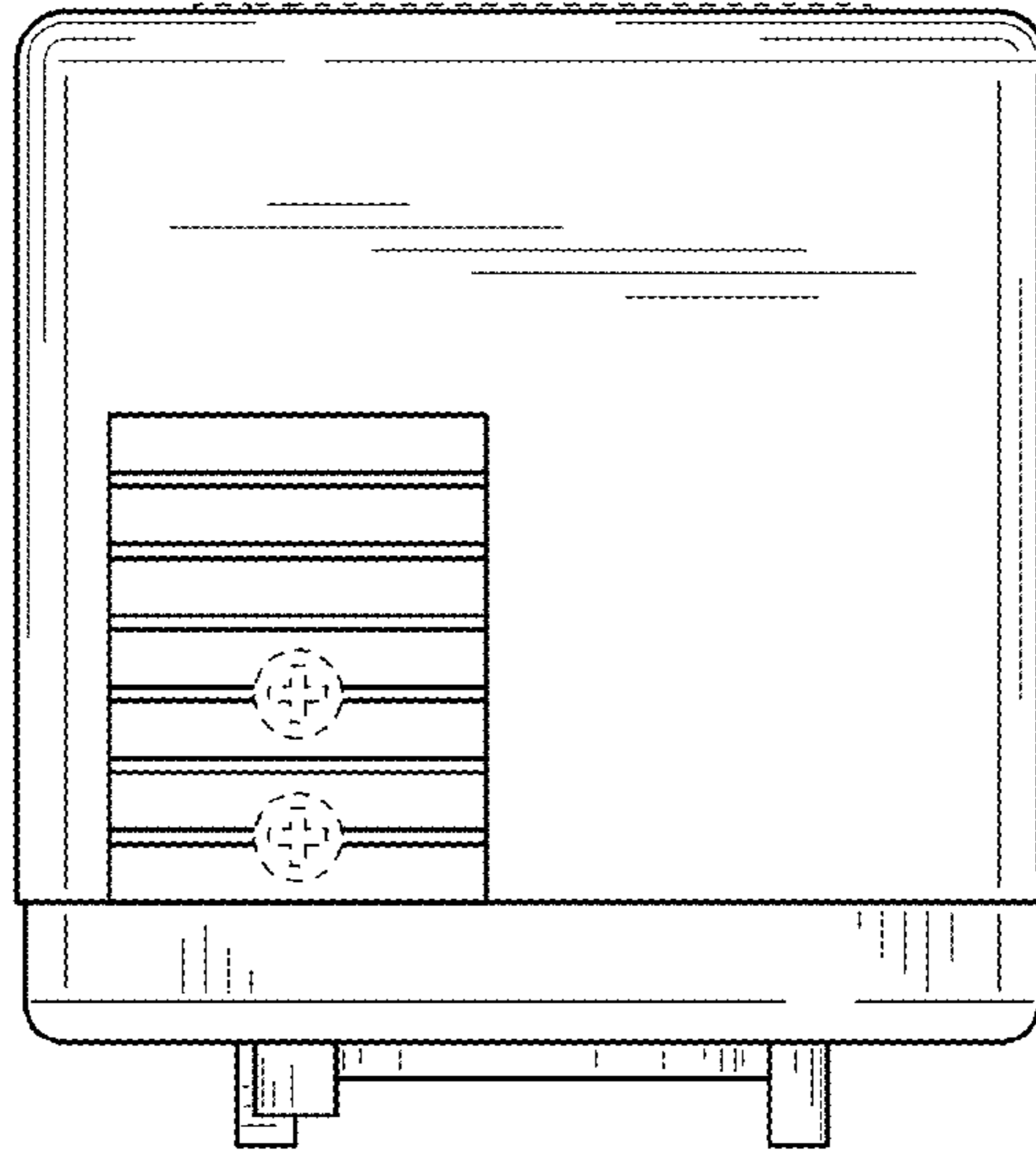


FIG. 3

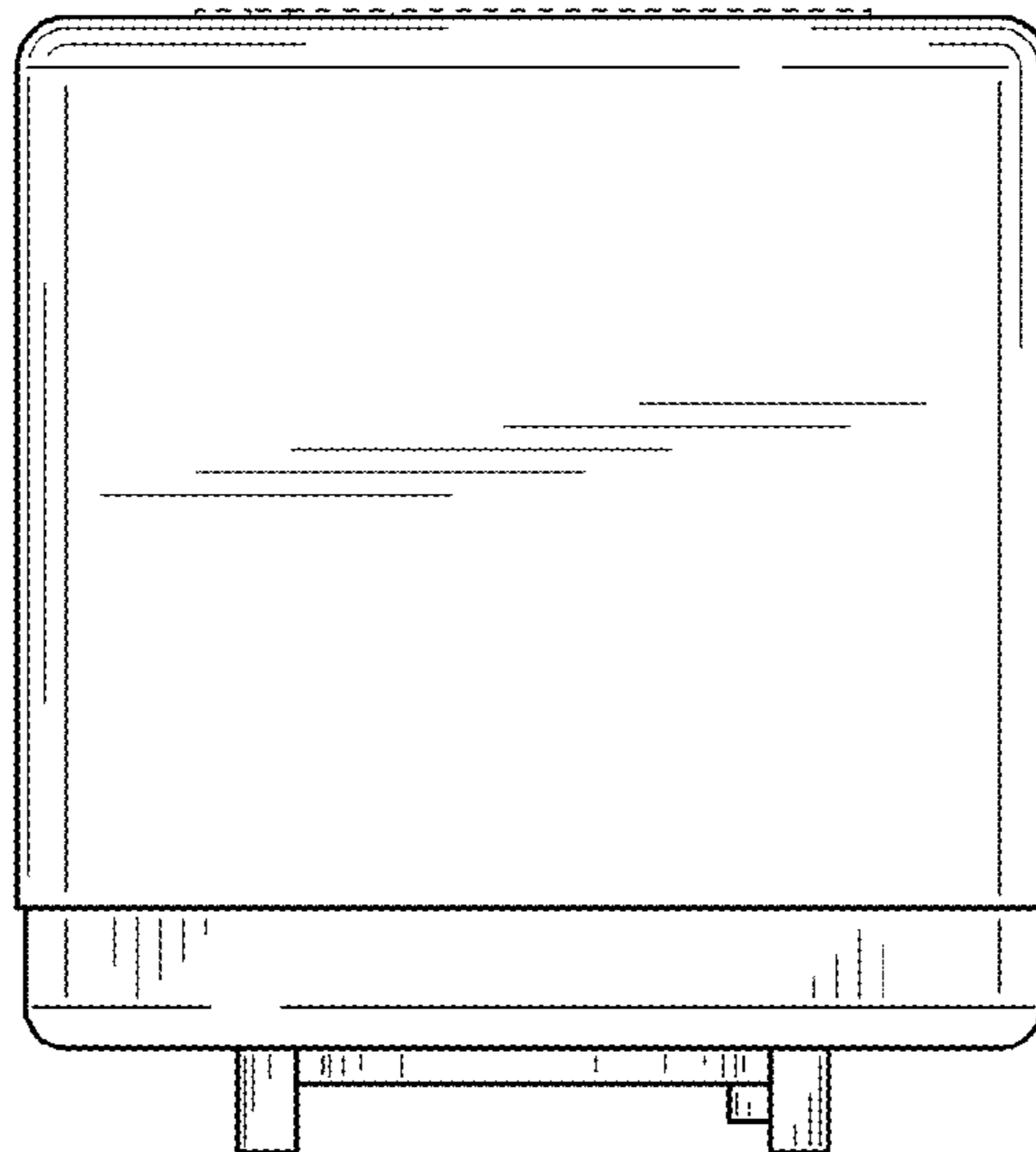


FIG. 4

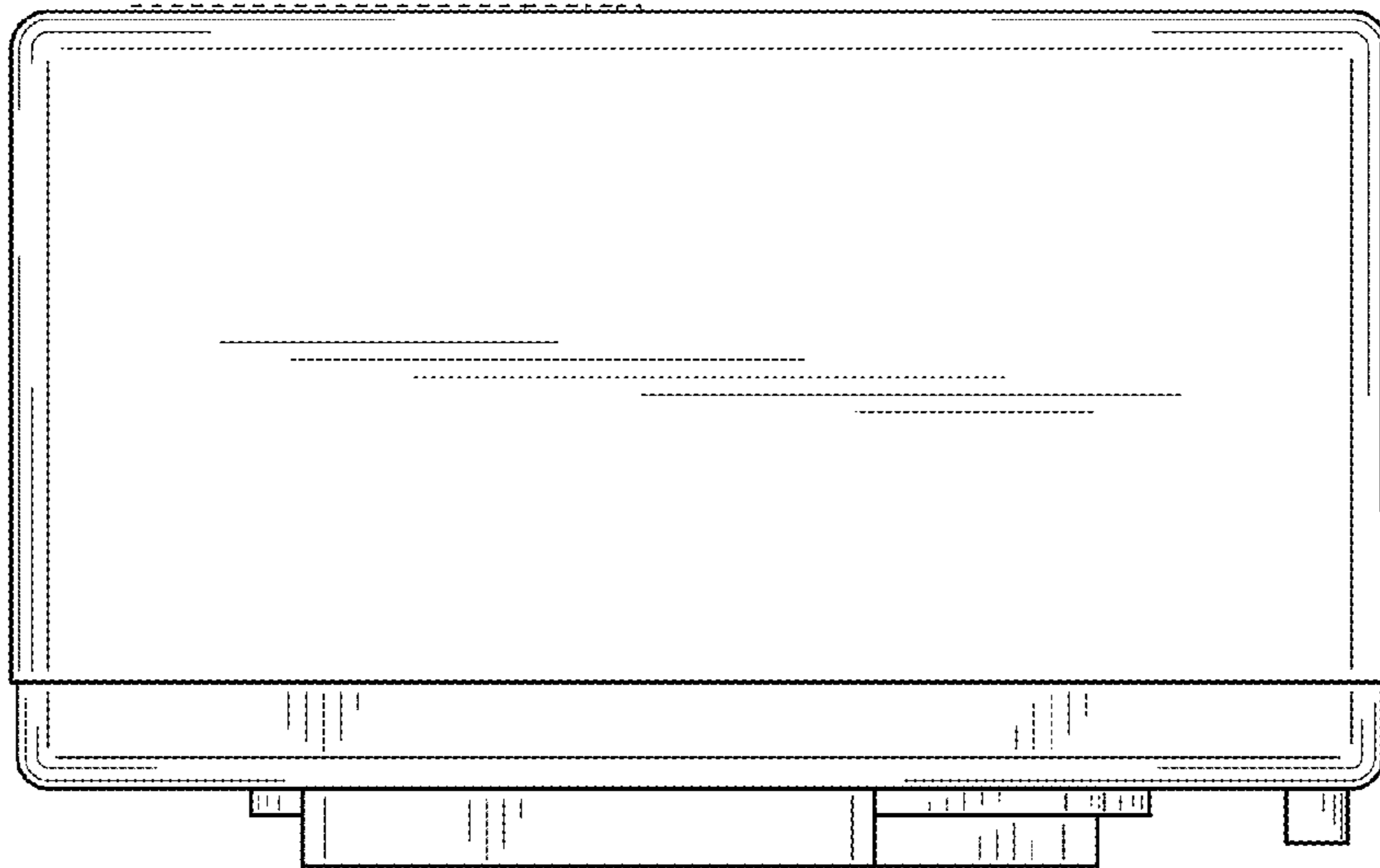


FIG. 5

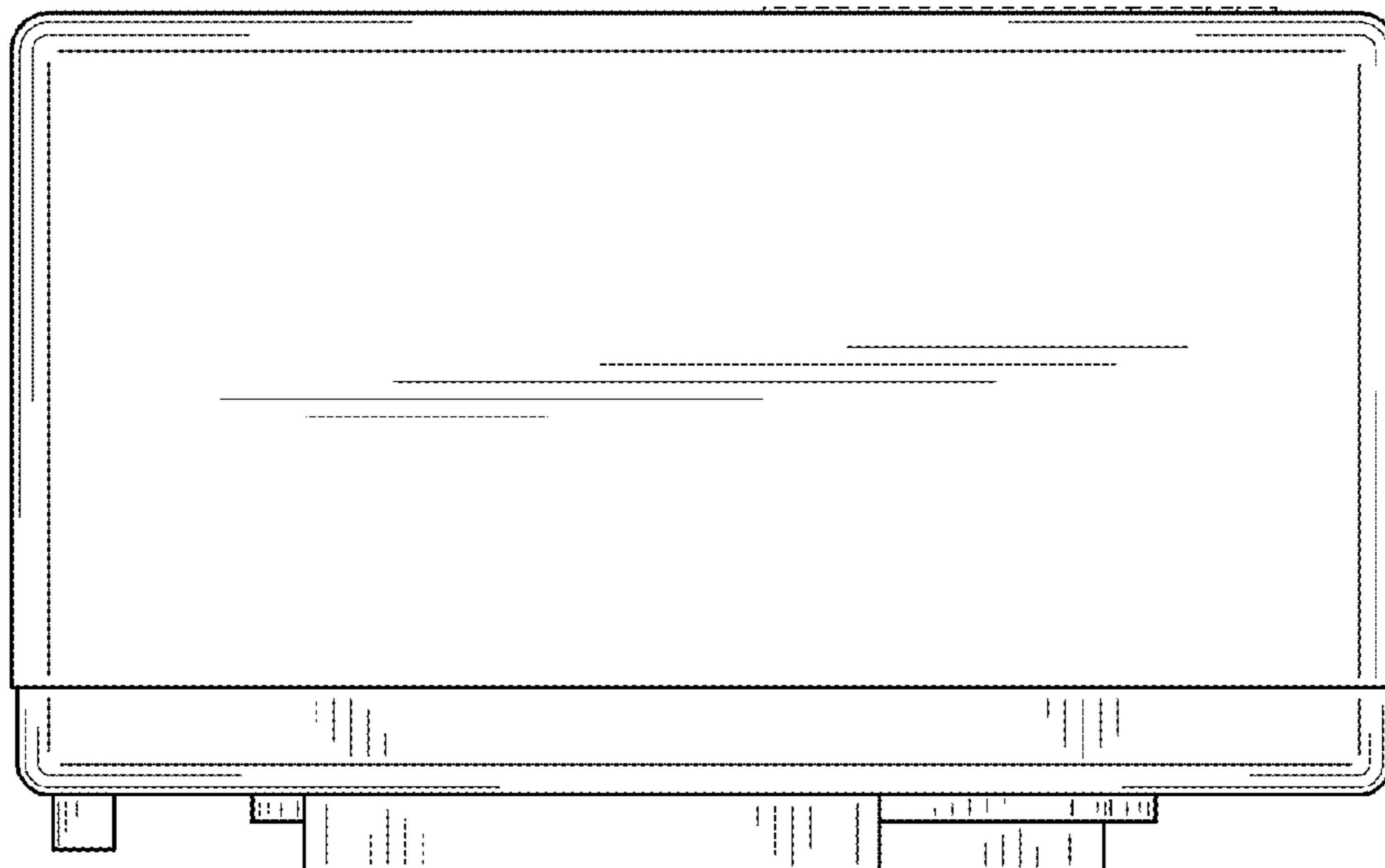


FIG. 6

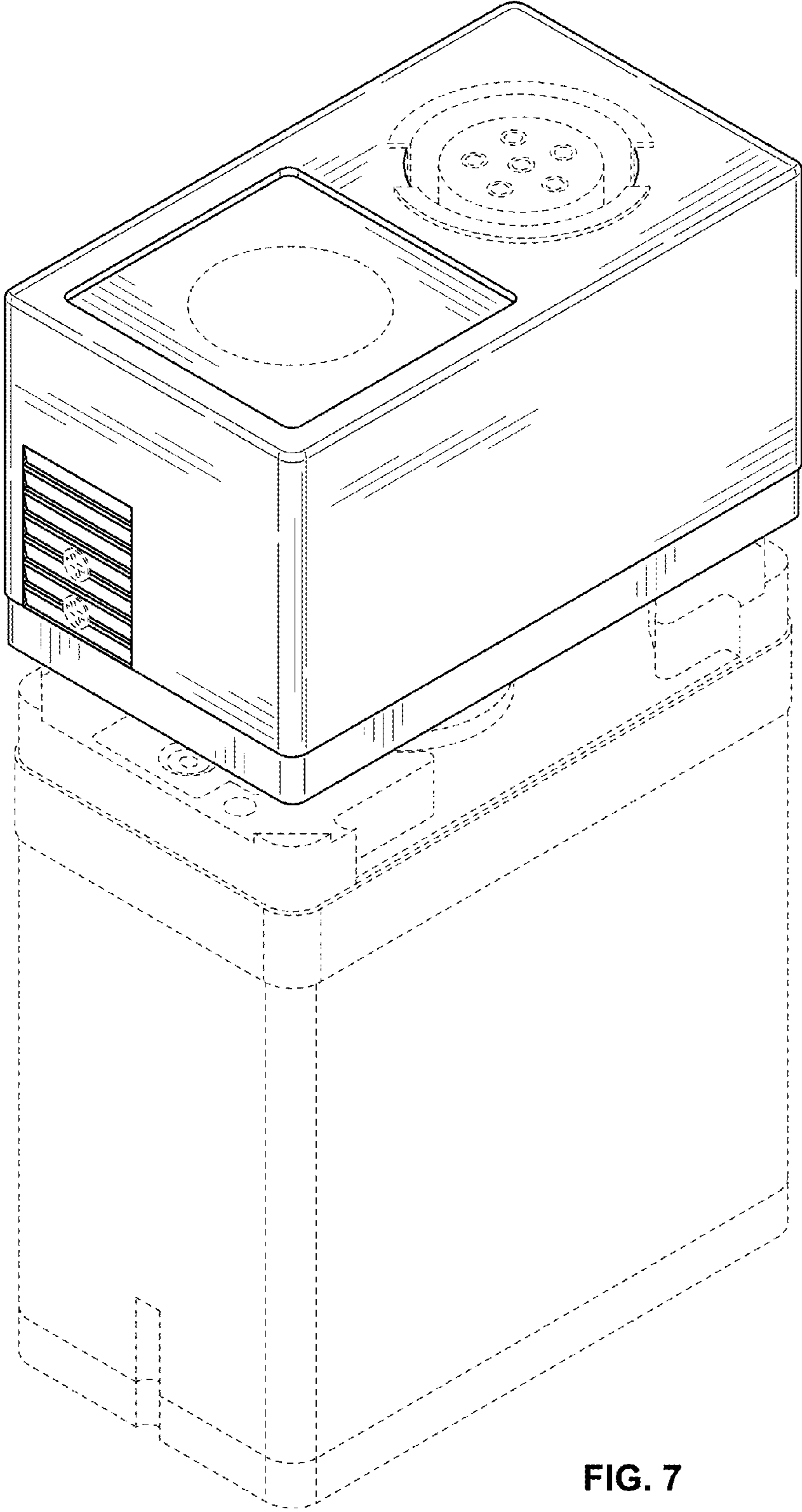


FIG. 7

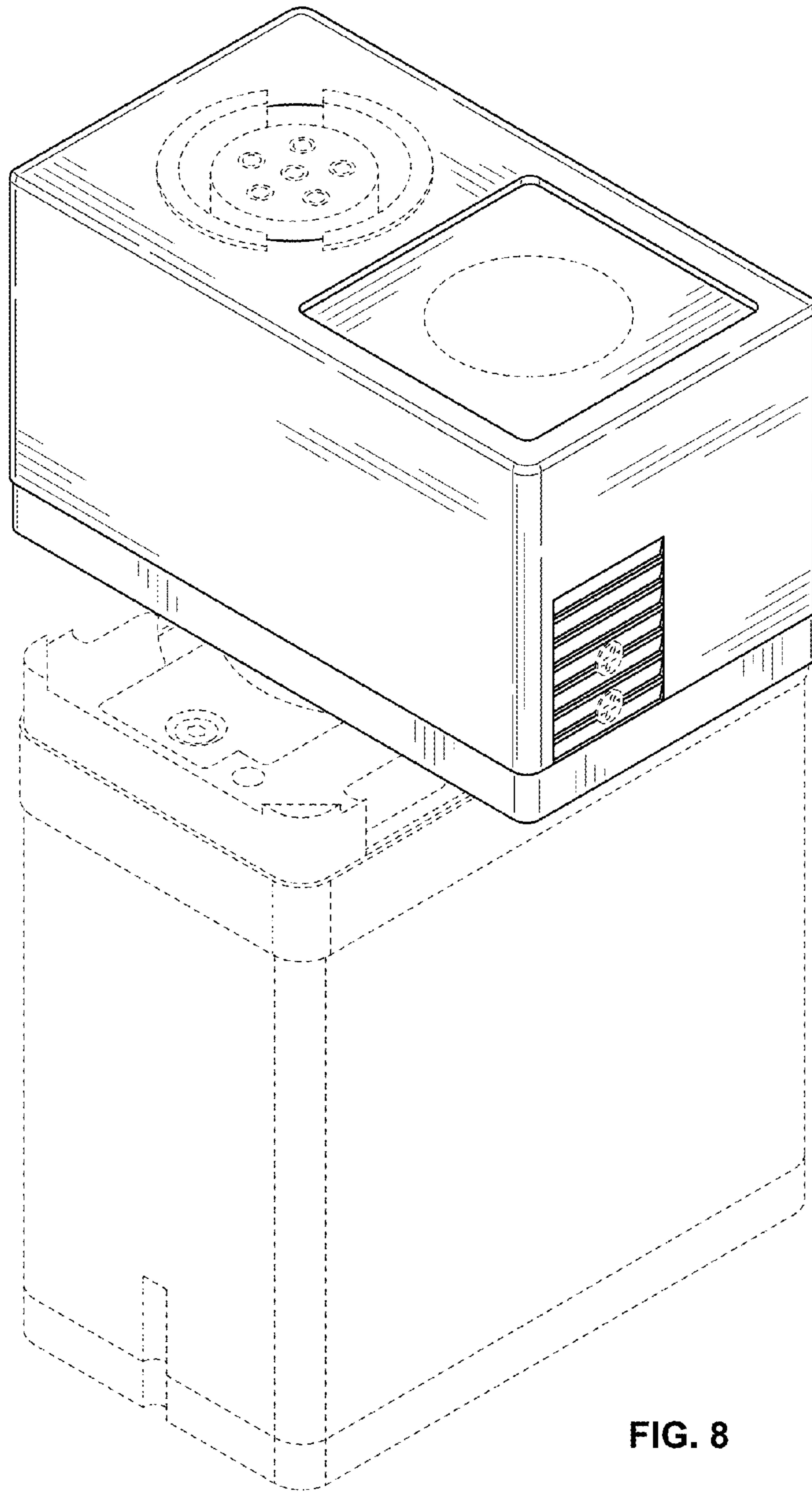


FIG. 8

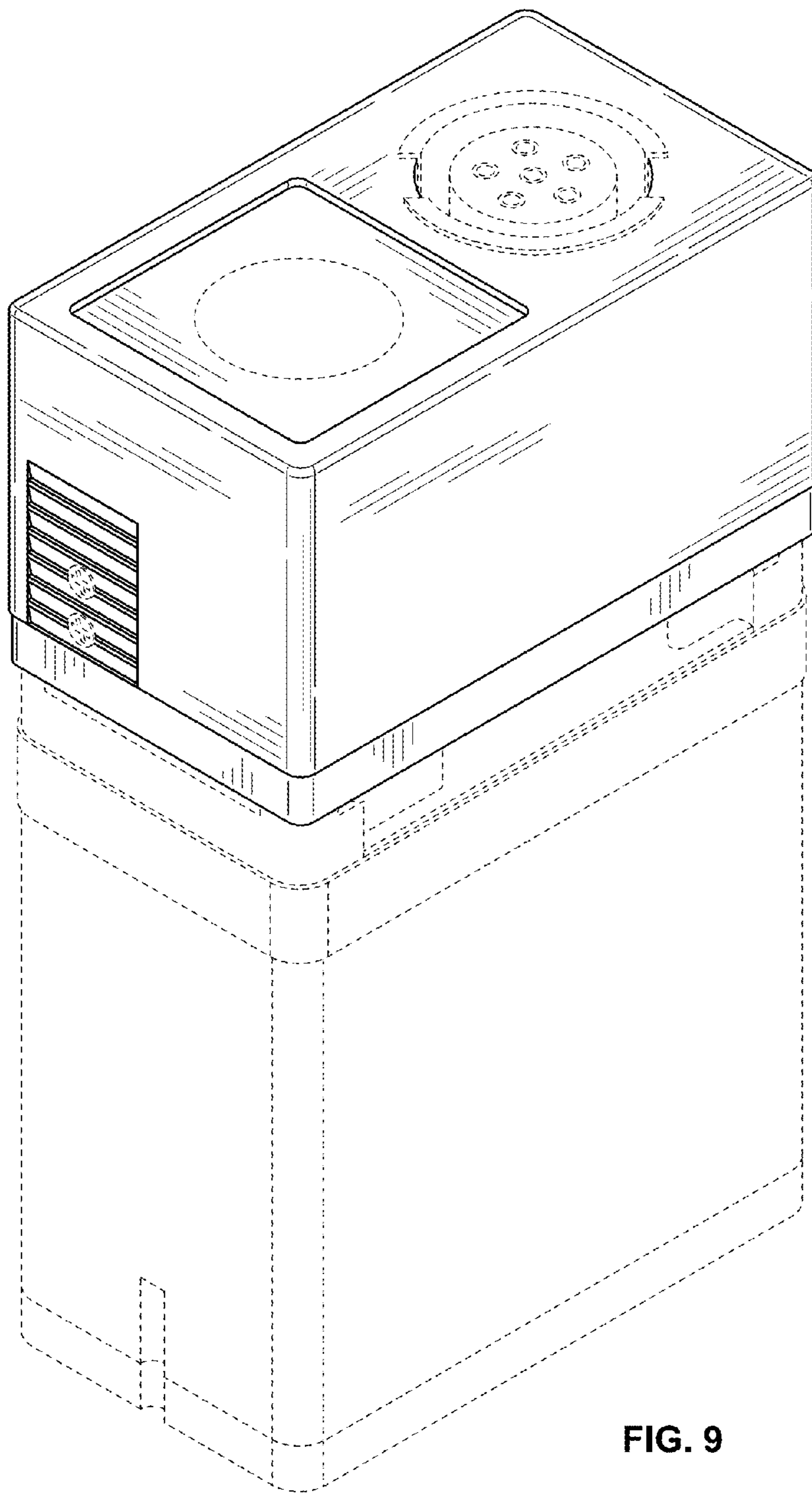


FIG. 9