



US00D720292S

(12) **United States Design Patent**  
**Buck**

(10) **Patent No.:** **US D720,292 S**

(45) **Date of Patent:** **\*\* Dec. 30, 2014**

(54) **BATTERY HOLDER**

(71) Applicant: **Donald G. Buck**, Lompoc, CA (US)

(72) Inventor: **Donald G. Buck**, Lompoc, CA (US)

(\*\*) Term: **14 Years**

(21) Appl. No.: **29/488,574**

(22) Filed: **Apr. 21, 2014**

(51) **LOC (10) Cl.** ..... **13-02**

(52) **U.S. Cl.**  
USPC ..... **D13/119**

(58) **Field of Classification Search**  
USPC ..... D13/102–104, 110, 118–121, 184, 199;  
429/96–100, 163, 176; 206/703–705,  
206/461–463, 471, 485, 485.1, 493;  
D3/304, 313, 315, 284  
See application file for complete search history.

(56) **References Cited**

**U.S. PATENT DOCUMENTS**

D380,611 S *	7/1997	Mancusi	.....	D3/284
D408,351 S *	4/1999	Shim	.....	D13/103
D409,559 S *	5/1999	Shim	.....	D13/103
D409,560 S *	5/1999	Shim	.....	D13/103
D489,684 S *	5/2004	Takeshima et al.	.....	D13/119
7,287,648 B2 *	10/2007	Foreman et al.	.....	206/703
D567,171 S *	4/2008	Yu et al.	.....	D13/110
D575,735 S *	8/2008	Foreman et al.	.....	D13/119
D575,736 S *	8/2008	Foreman et al.	.....	D13/119
D575,737 S *	8/2008	Foreman et al.	.....	D13/119
D578,962 S *	10/2008	Foreman et al.	.....	D13/119
D585,371 S *	1/2009	Foreman et al.	.....	D13/119
D585,372 S *	1/2009	Foreman et al.	.....	D13/119

7,571,813 B2 *	8/2009	Weisskopf	.....	206/755
D624,016 S *	9/2010	Seehoff et al.	.....	D13/119
D632,651 S *	2/2011	Foreman et al.	.....	D13/119
8,267,252 B2 *	9/2012	Foreman et al.	.....	206/703
2007/0051663 A1 *	3/2007	Foreman et al.	.....	206/703
2008/0099370 A1 *	5/2008	Foreman et al.	.....	206/703
2008/0314792 A1 *	12/2008	Daeschler et al.	.....	206/705
2013/0062247 A1 *	3/2013	Foreman et al.	.....	206/703

\* cited by examiner

*Primary Examiner* — Rosemary K Tarcza

(74) *Attorney, Agent, or Firm* — SoCal IP Law Group LLP;  
Guy Cumberbatch

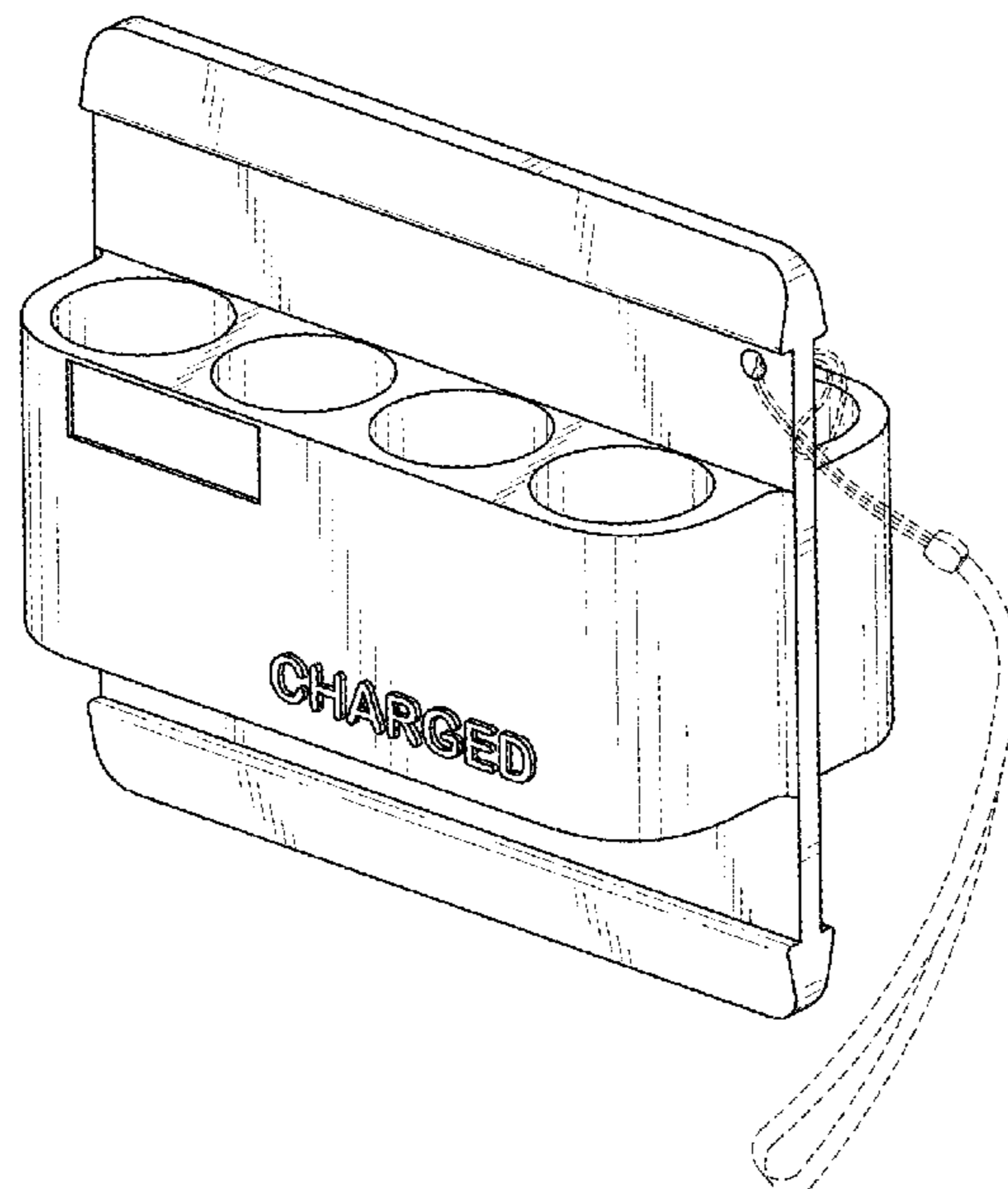
(57) **CLAIM**

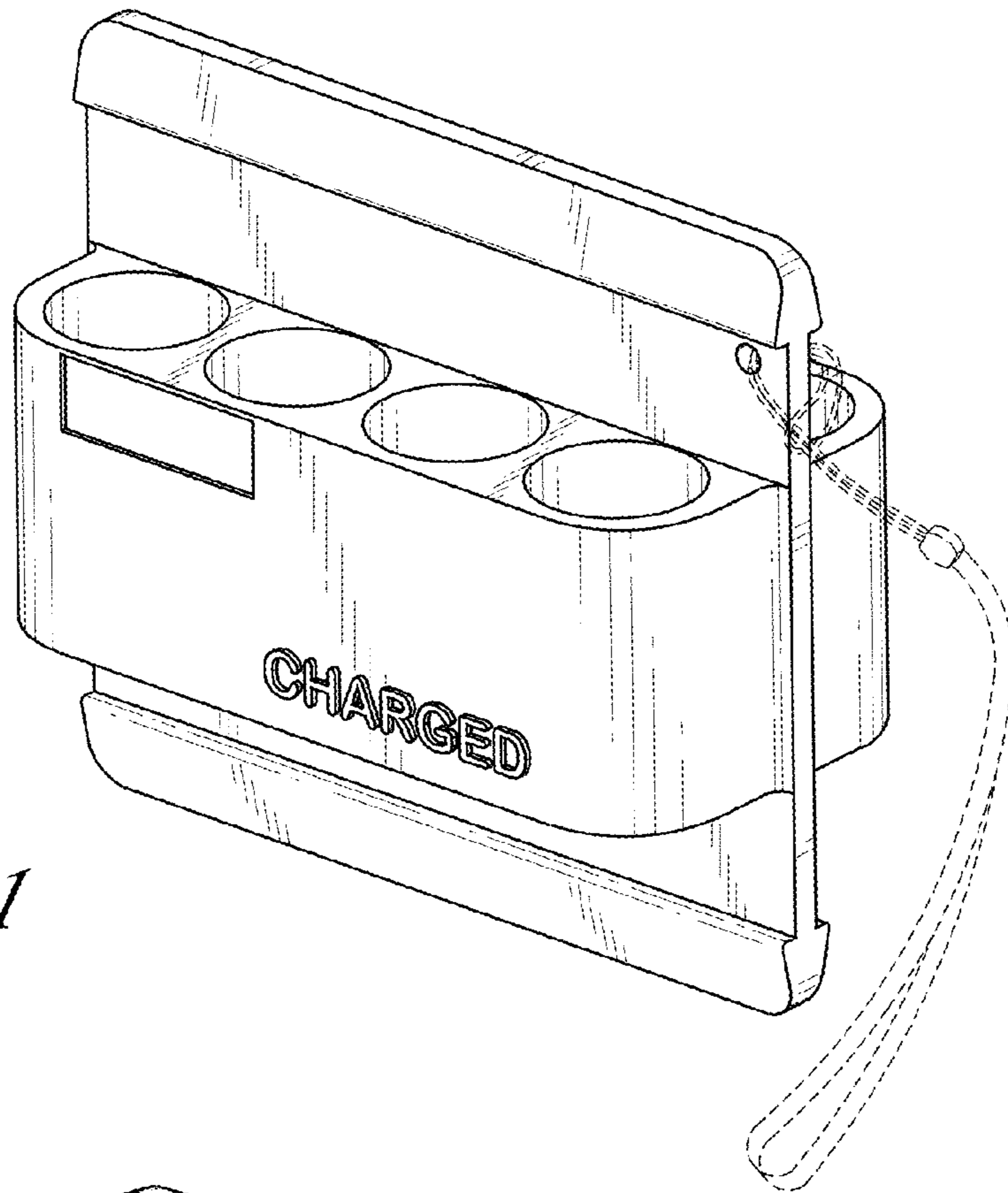
The ornamental design for a battery holder, as shown and described.

**DESCRIPTION**

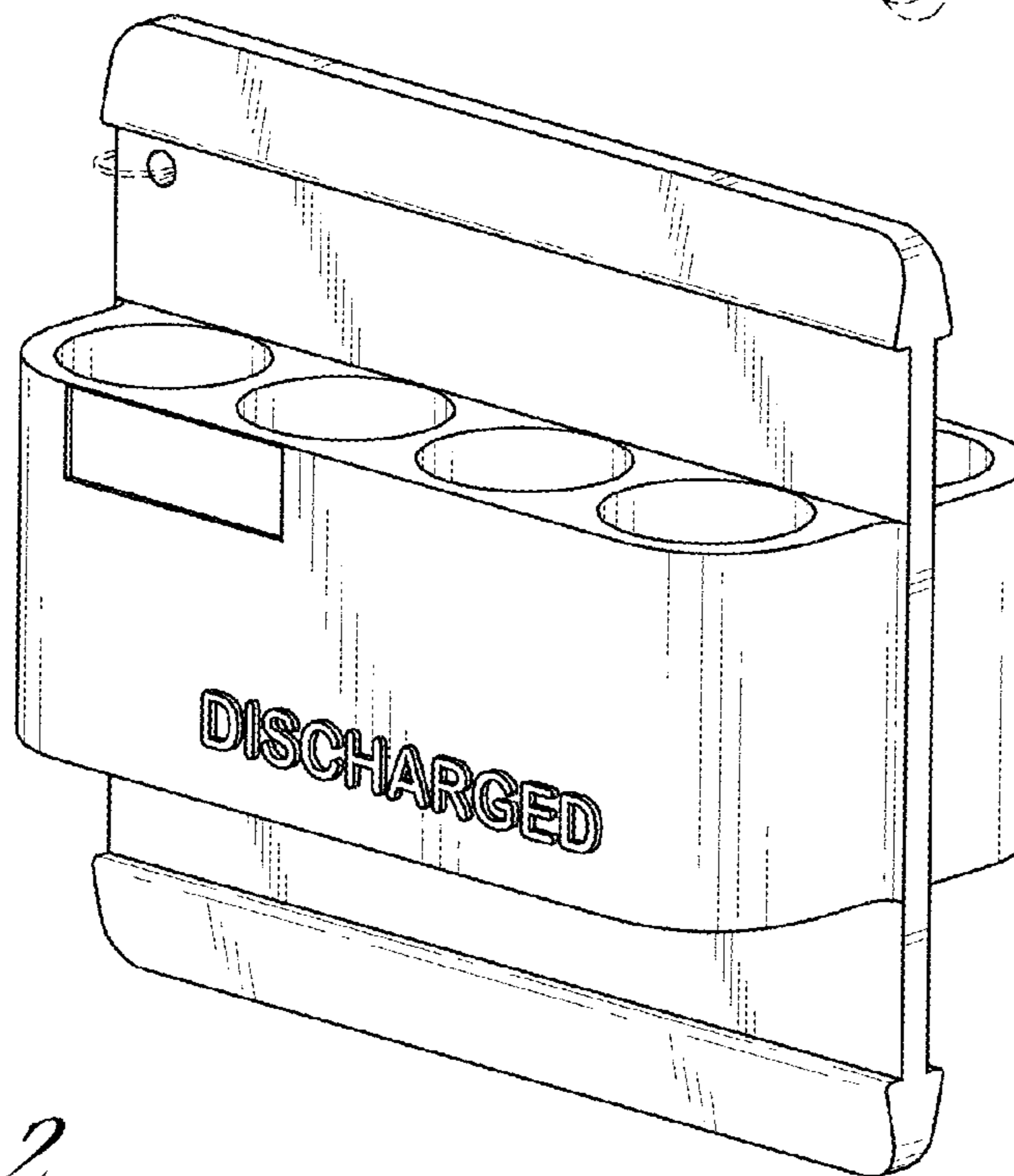
FIG. 1 is a front perspective view of a battery holder of the present application;  
 FIG. 2 is a rear perspective view of the battery holder;  
 FIG. 3 is a front view of the battery holder;  
 FIG. 4 is a rear view of the battery holder;  
 FIG. 5 is a top view of the battery holder;  
 FIG. 6 is a bottom view of the battery holder.  
 FIG. 7 is a left side view of the battery holder;  
 FIG. 8 is a right side view of the battery holder;  
 FIG. 9 is a front perspective view of the battery holder showing a battery placed therein in phantom; and,  
 FIG. 10 is a rear perspective view of the battery holder showing a battery placed therein in phantom.  
 The broken lines shown in the drawings are included for the purpose of illustrating environmental structure and form no part of the claimed design.

**1 Claim, 5 Drawing Sheets**

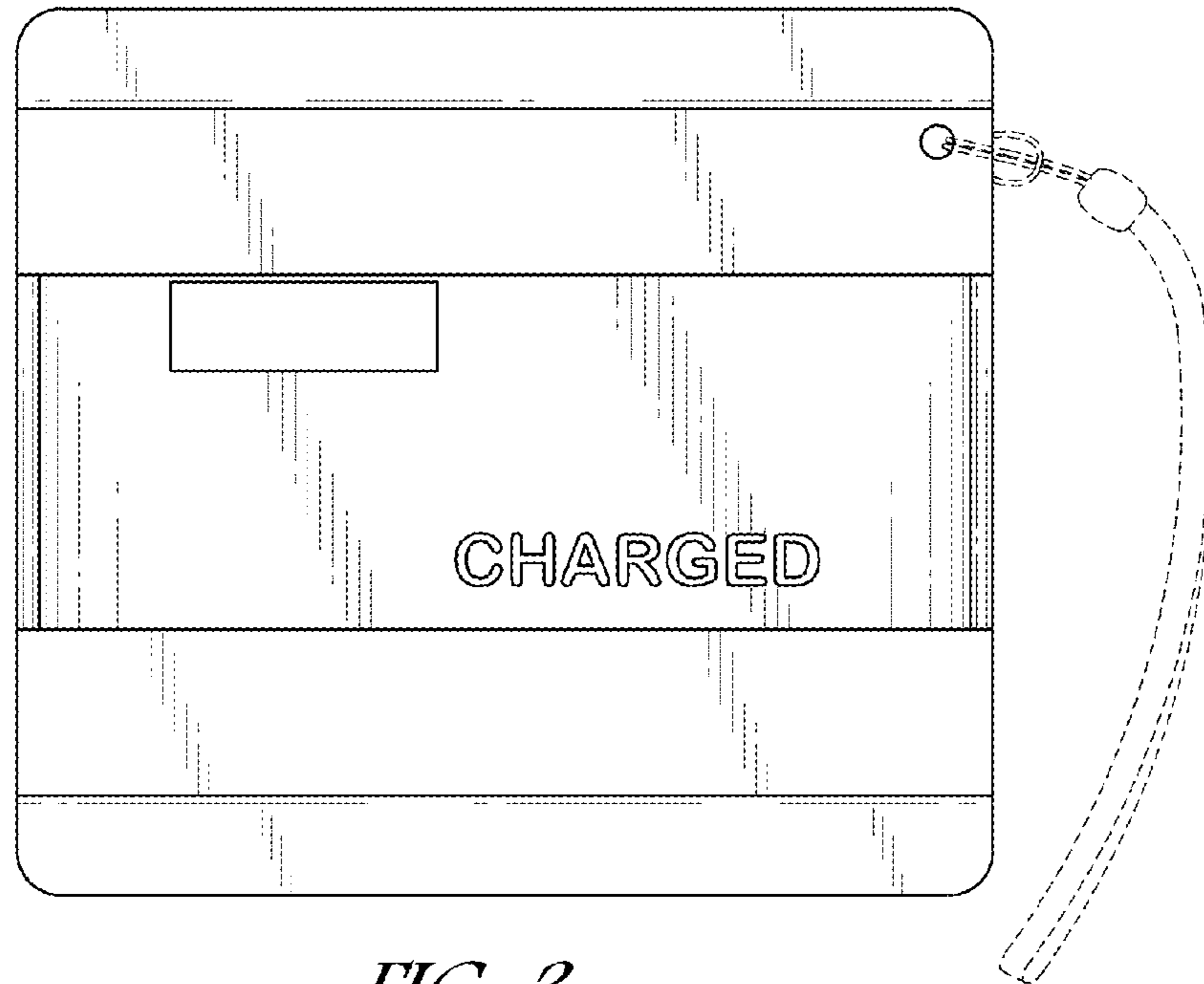




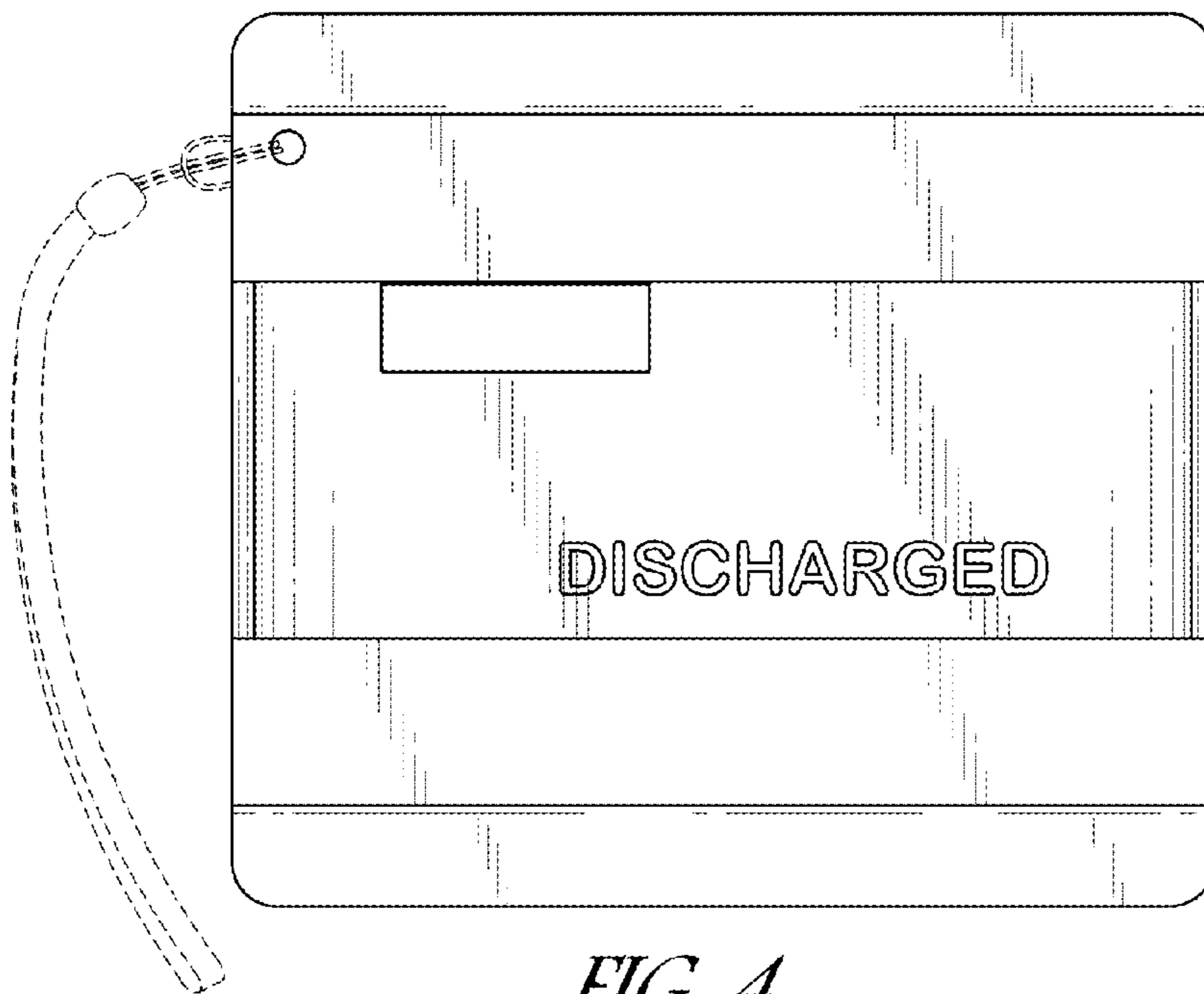
*FIG. 1*



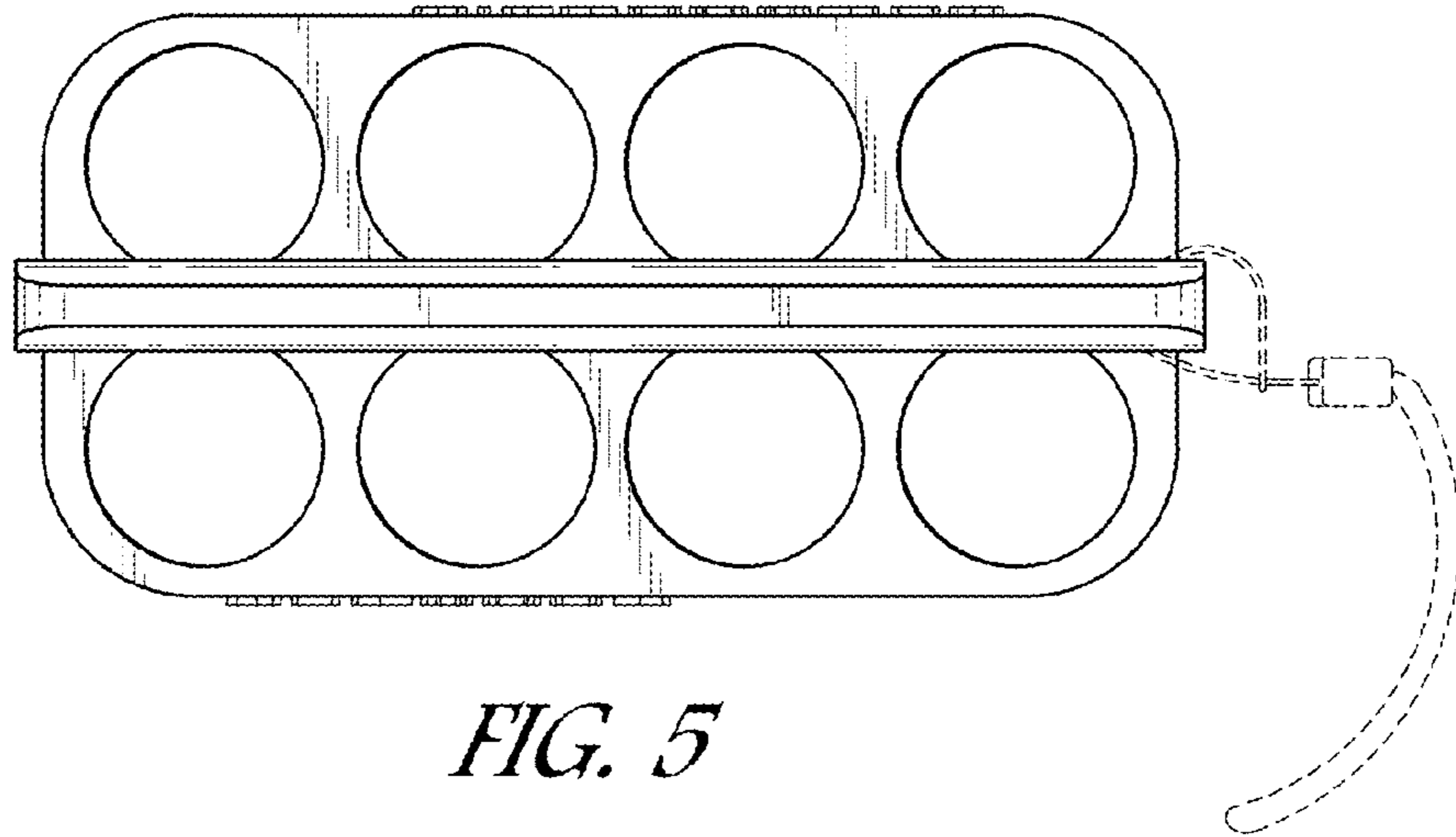
*FIG. 2*



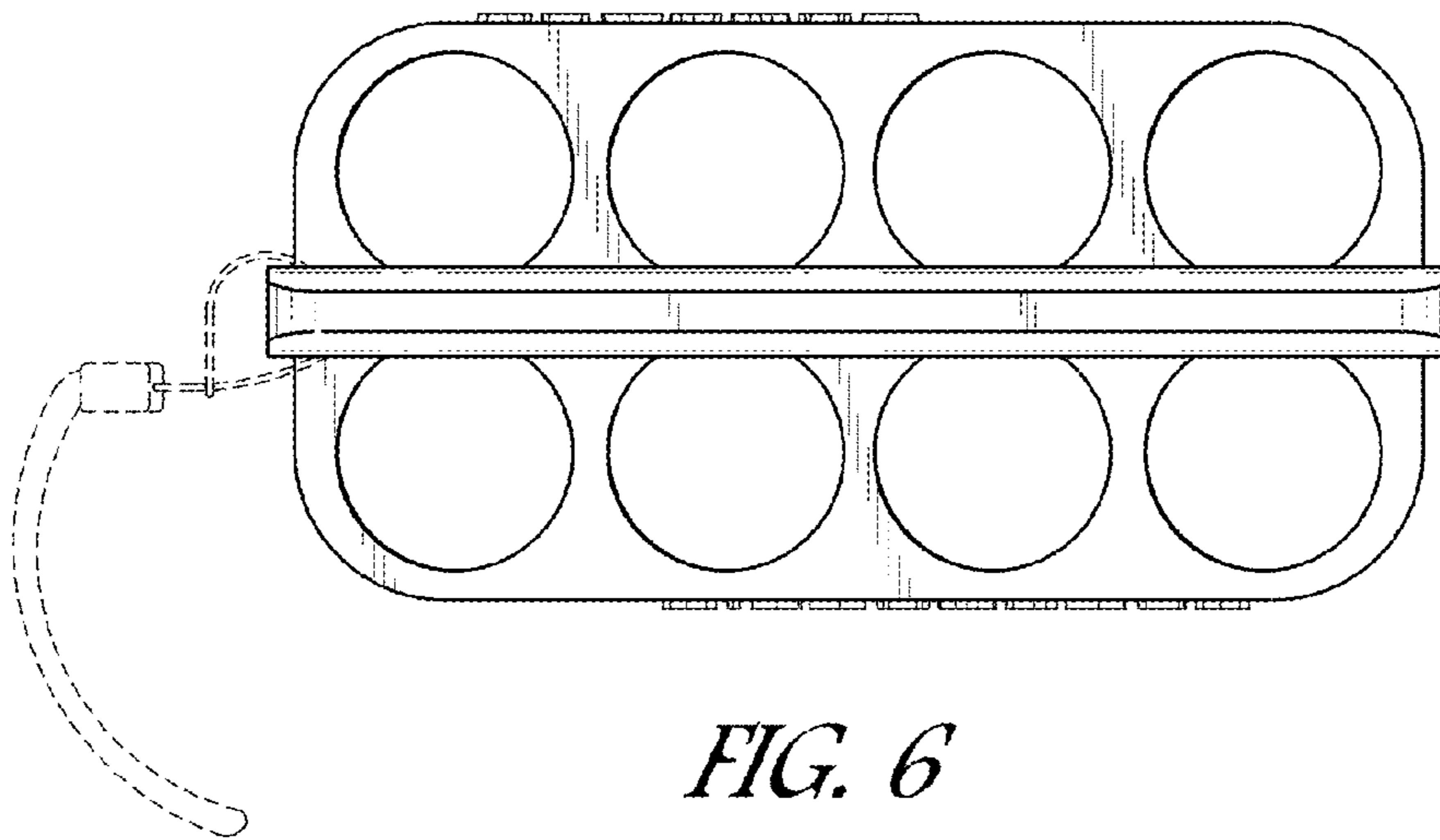
*FIG. 3*



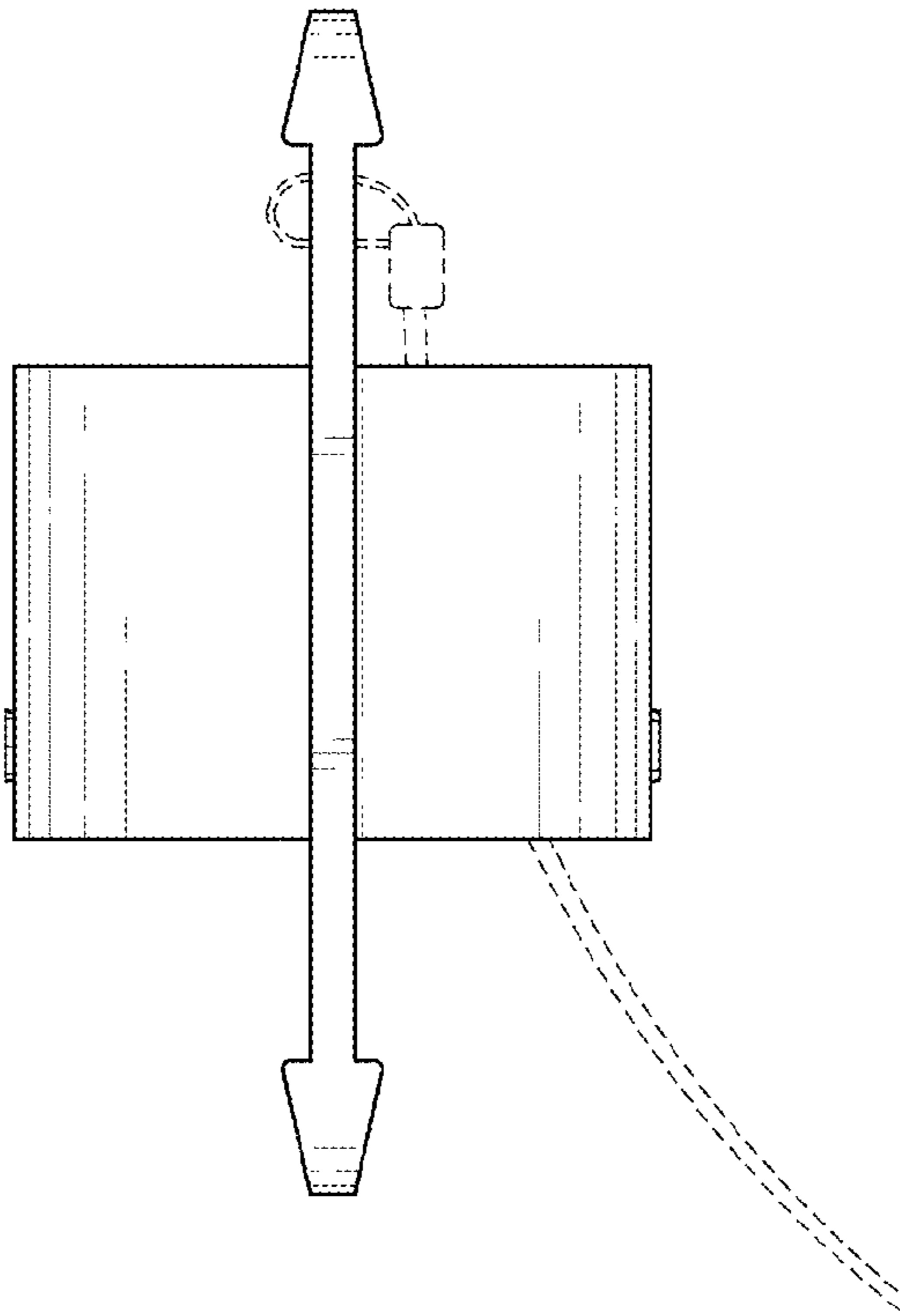
*FIG. 4*



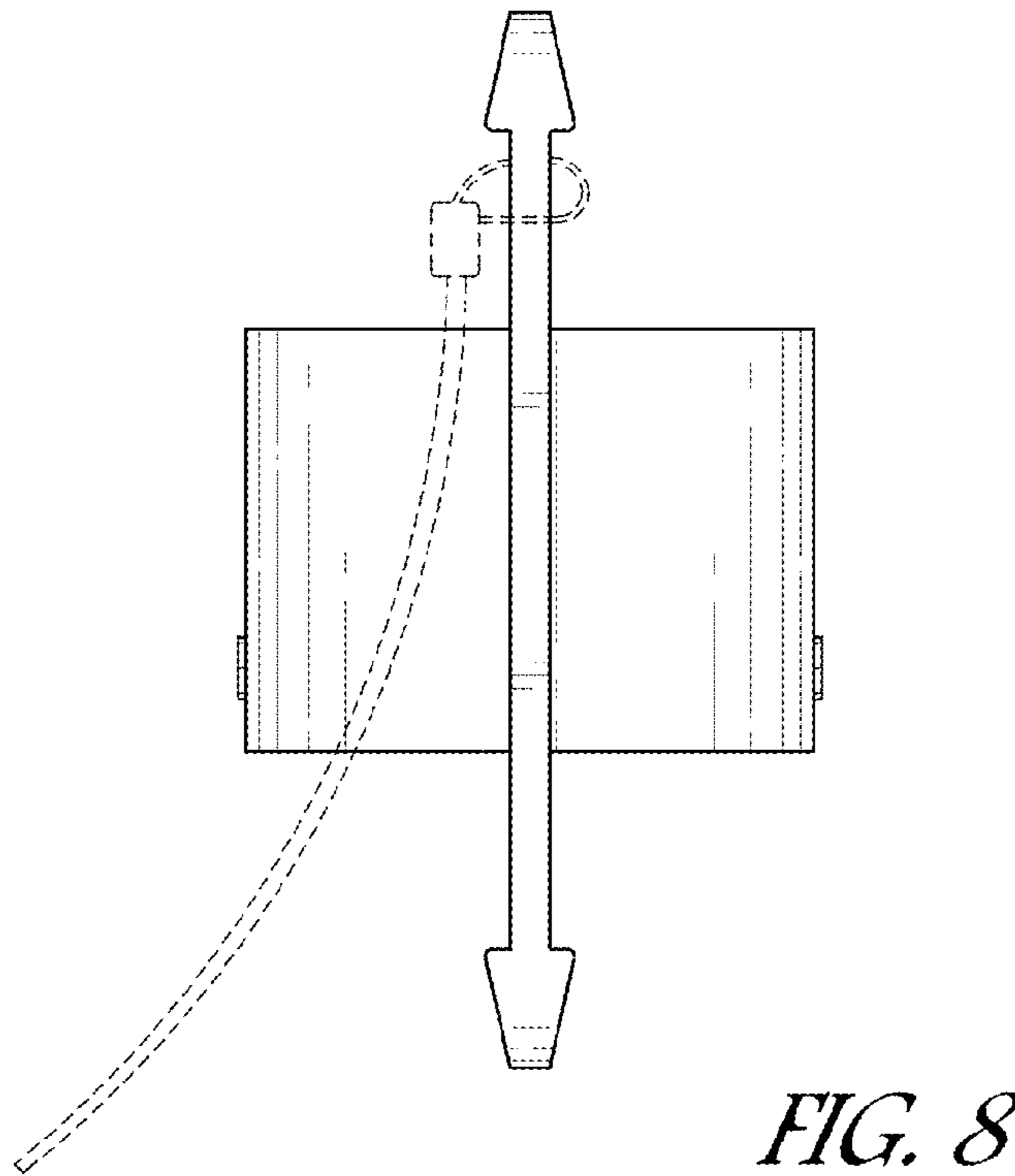
*FIG. 5*



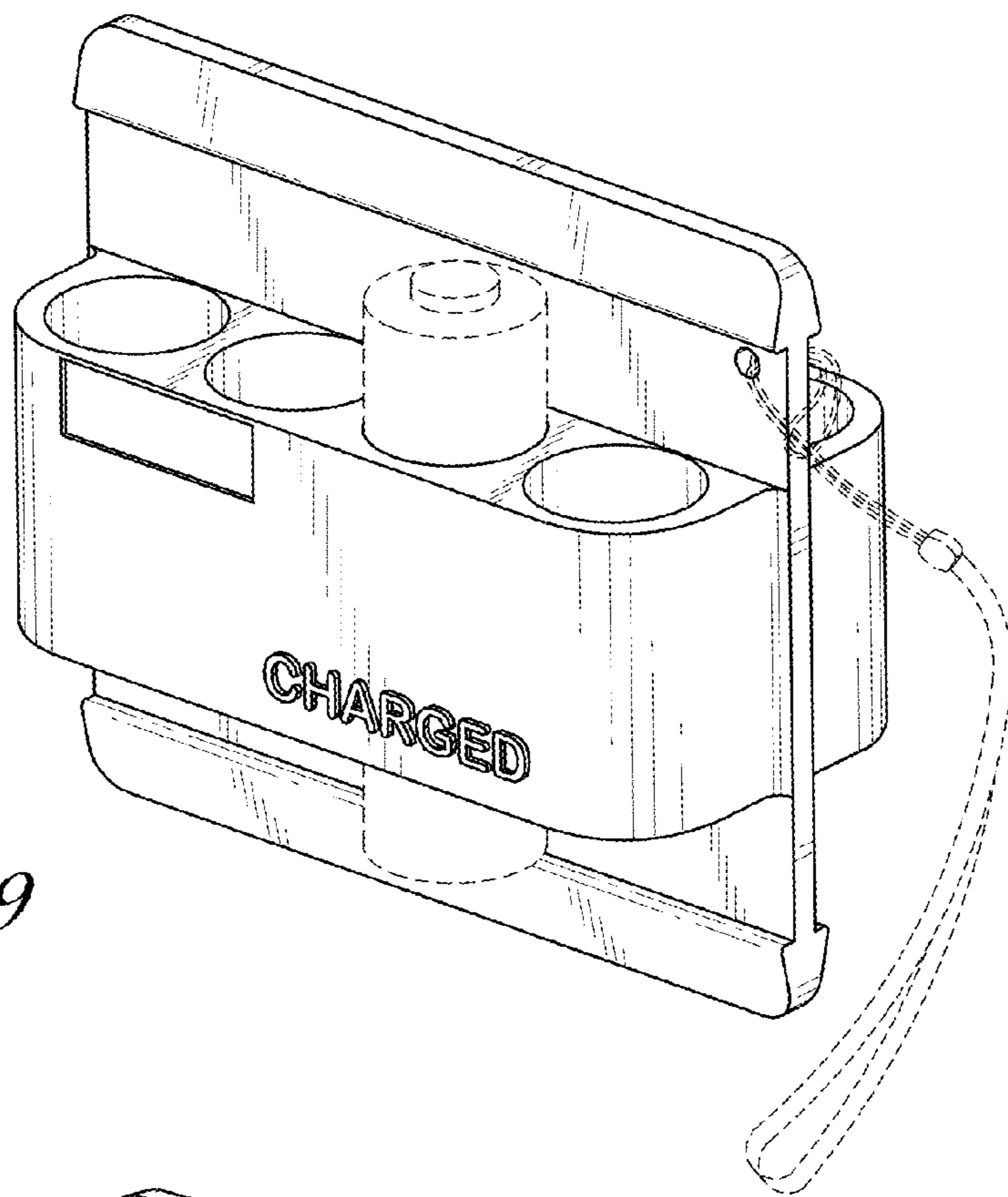
*FIG. 6*



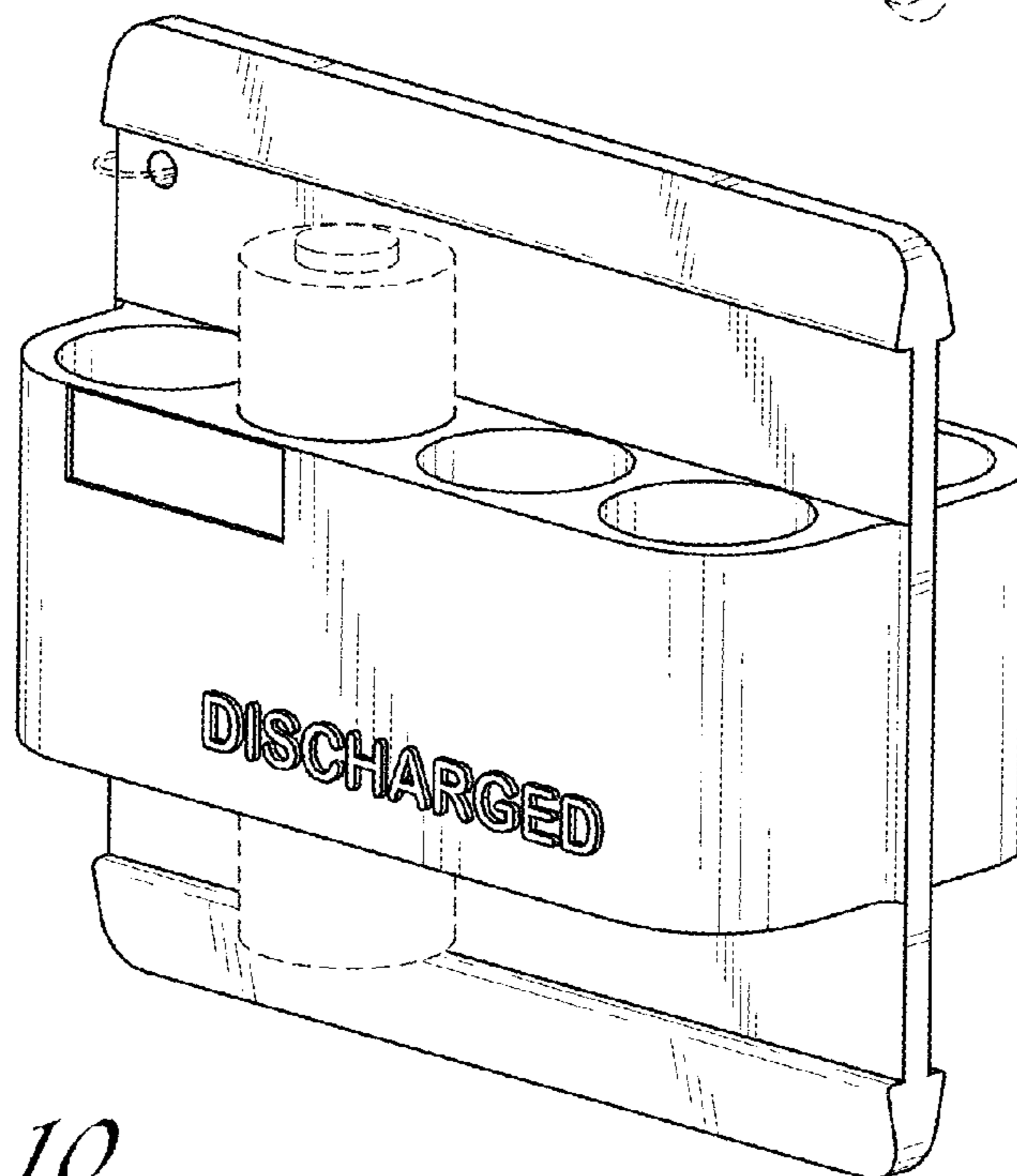
*FIG. 7*



*FIG. 8*



*FIG. 9*



*FIG. 10*