

US00D720291S

(12) **United States Design Patent**
Liu

(10) **Patent No.:** **US D720,291 S**

(45) **Date of Patent:** **** Dec. 30, 2014**

(54) **HOLDER FOR BATTERY WITH FIVE ELECTRODES**

(71) Applicant: **Guangdong Jetfast Portable Lighting Co., Ltd.**, Guangdong (CN)

(72) Inventor: **Yun-Zhao Liu**, Guangdong Province (CN)

(73) Assignee: **Guangdong Jetfast Portable Lighting Co. Ltd.**, Guangdong (CN)

(**) Term: **14 Years**

(21) Appl. No.: **29/487,738**

(22) Filed: **Apr. 11, 2014**

(30) **Foreign Application Priority Data**

Dec. 11, 2013 (CN) 2013 3 0615496

(51) **LOC (10) Cl.** **13-02**

(52) **U.S. Cl.**
USPC **D13/119**

(58) **Field of Classification Search**
USPC D13/102-104, 110, 118-121, 184, 199;
429/96-100, 163, 176; 206/703-705,
206/461-463, 471, 485, 485.1, 493
See application file for complete search history.

(56) **References Cited**

U.S. PATENT DOCUMENTS

4,020,245 A * 4/1977 Mabuchi et al. 429/100
D361,980 S * 9/1995 Chen D13/119

D376,579 S * 12/1996 Bunyea et al. D13/103
6,531,244 B1 * 3/2003 Ryan et al. 429/100
D508,237 S * 8/2005 Shing D13/184
D528,070 S * 9/2006 Tang D13/103
D528,503 S * 9/2006 Tang D13/103
D528,974 S * 9/2006 Tang D13/103
D535,945 S * 1/2007 Towler D13/119
D539,217 S * 3/2007 Hamaguchi D13/103
D541,213 S * 4/2007 Tang D13/103
D577,333 S * 9/2008 Daniel et al. D13/103
D637,156 S * 5/2011 Yoon D13/119
D664,092 S * 7/2012 Gea Suarez D13/119
D664,498 S * 7/2012 Liu D13/103
D710,305 S * 8/2014 Windom D13/119

* cited by examiner

Primary Examiner — Rosemary K Tarcza

(74) *Attorney, Agent, or Firm* — Rosenberg, Klein & Lee

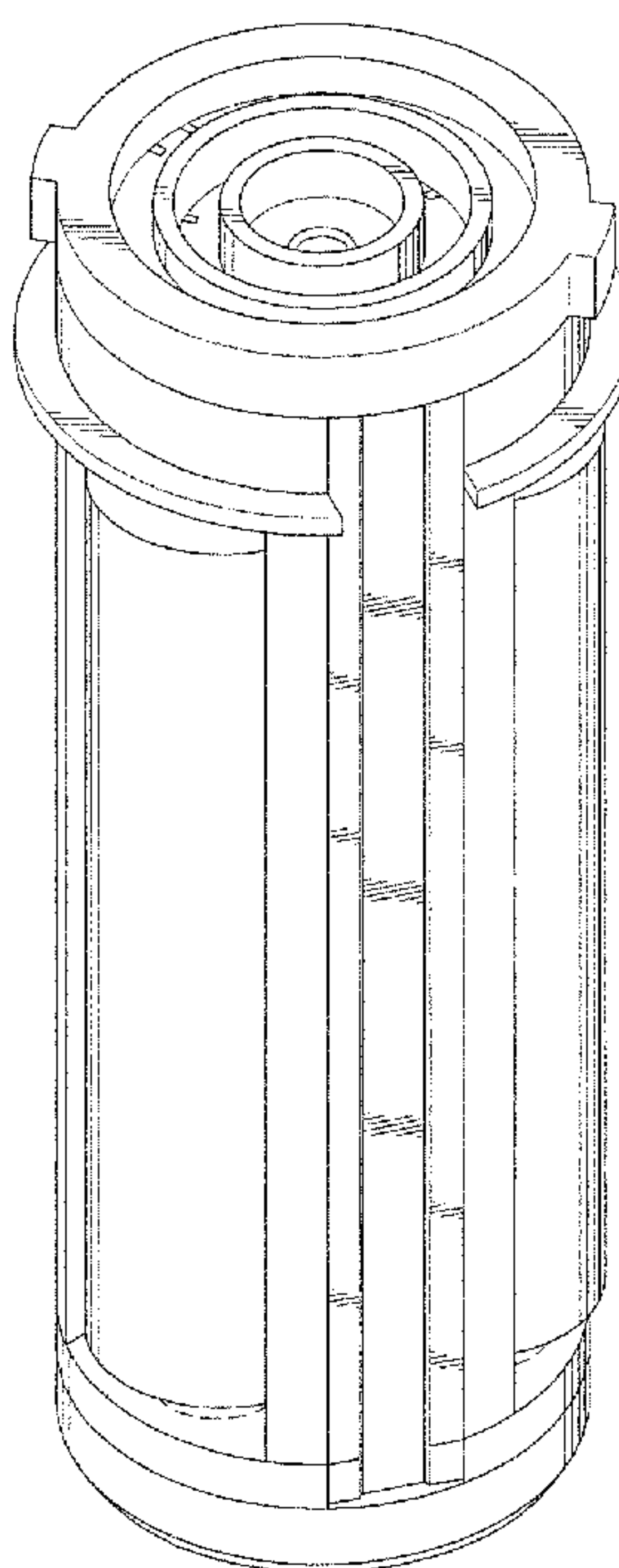
(57) **CLAIM**

The ornamental design for a holder for battery with five electrodes, as shown and described.

DESCRIPTION

FIG. 1 is a perspective view of a holder for battery with five electrodes showing my new design;
FIG. 2 is a front elevational view thereof;
FIG. 3 is a rear elevational view thereof;
FIG. 4 is a left side elevational view thereof;
FIG. 5 is a right side elevational view thereof;
FIG. 6 is a top plan view thereof; and,
FIG. 7 is a bottom plan view thereof.

1 Claim, 7 Drawing Sheets



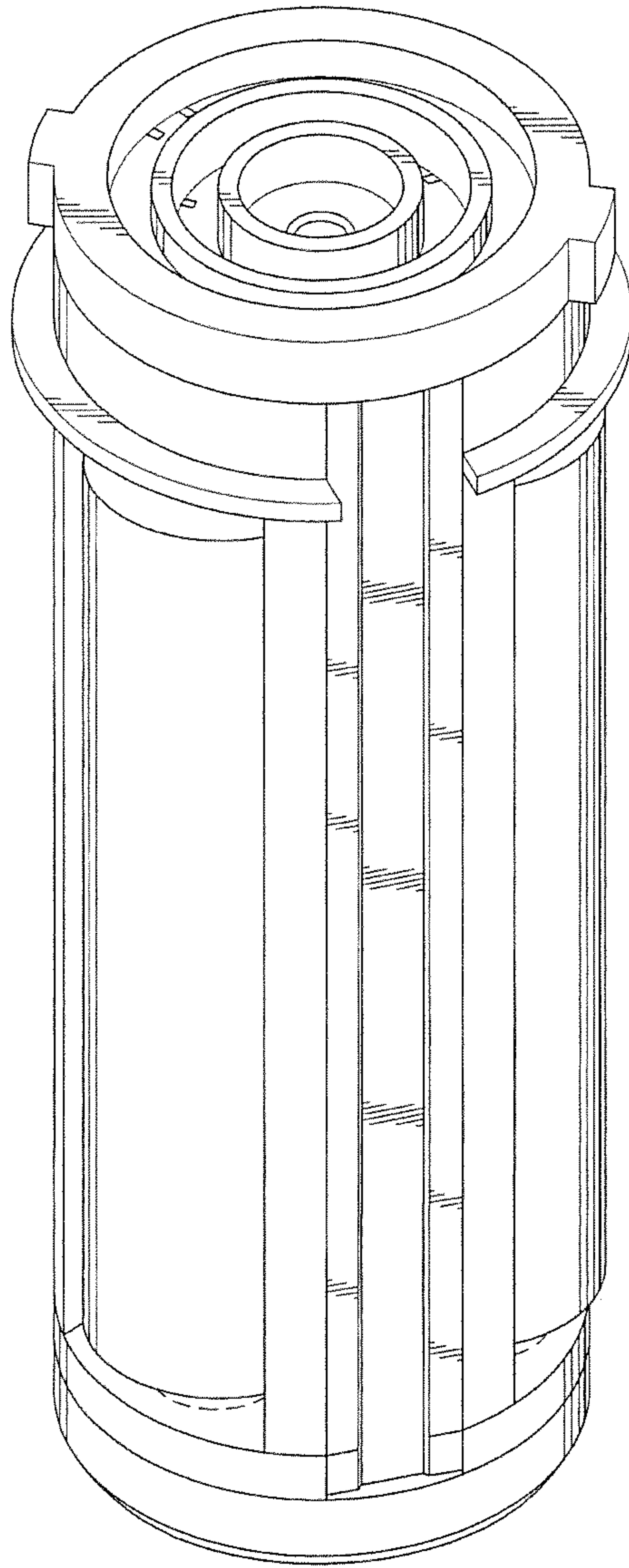


FIG. 1

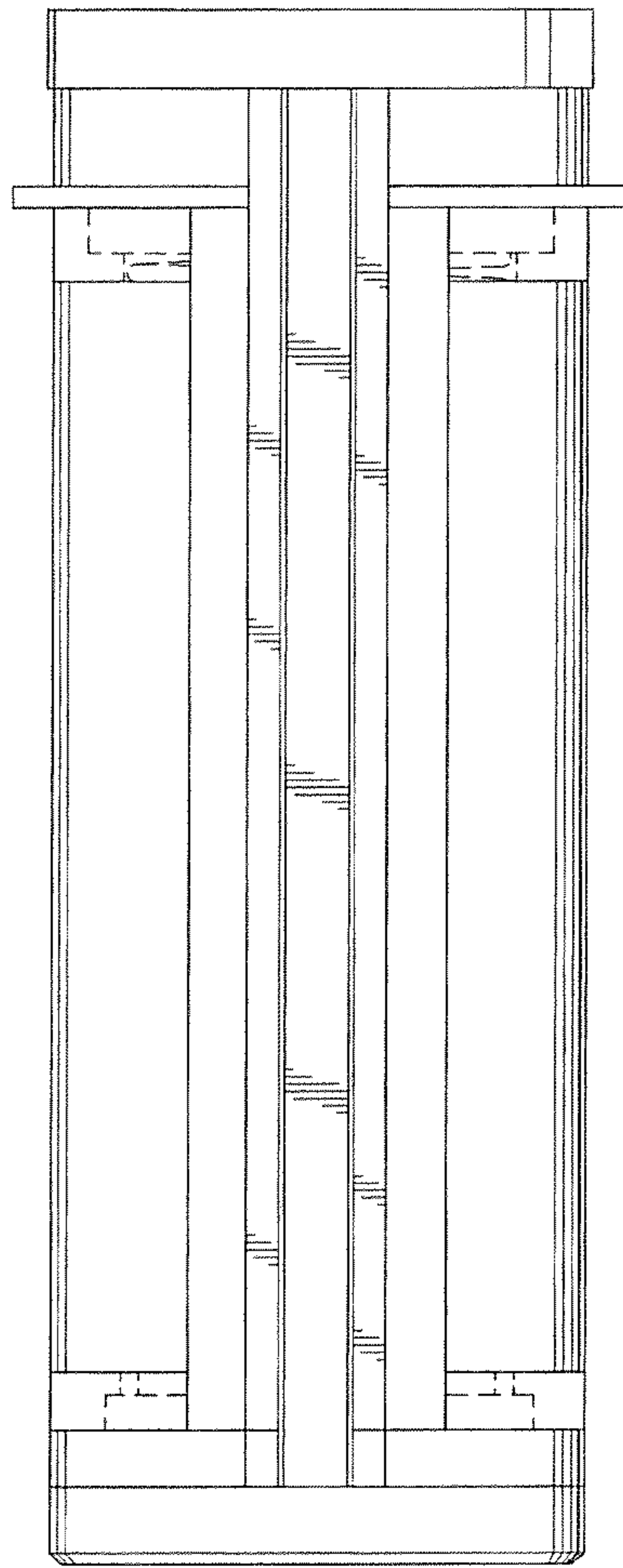


FIG. 2

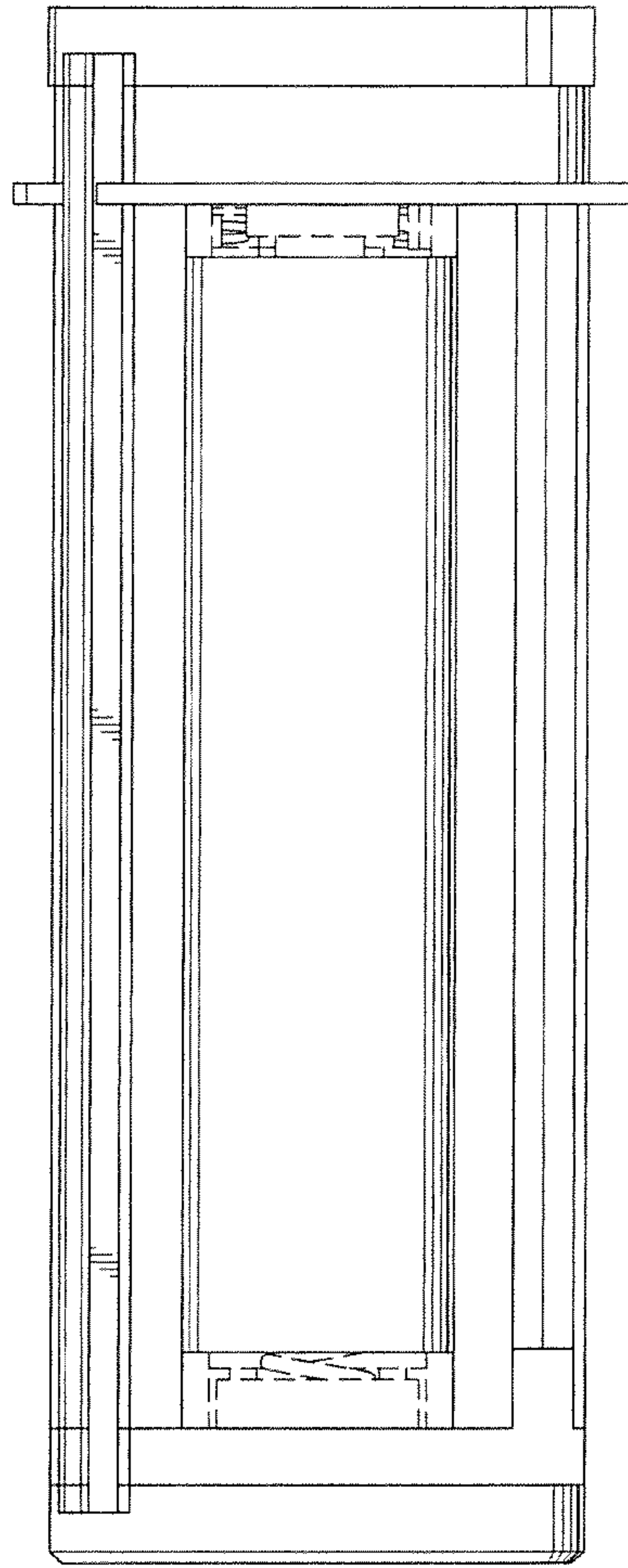


FIG. 3

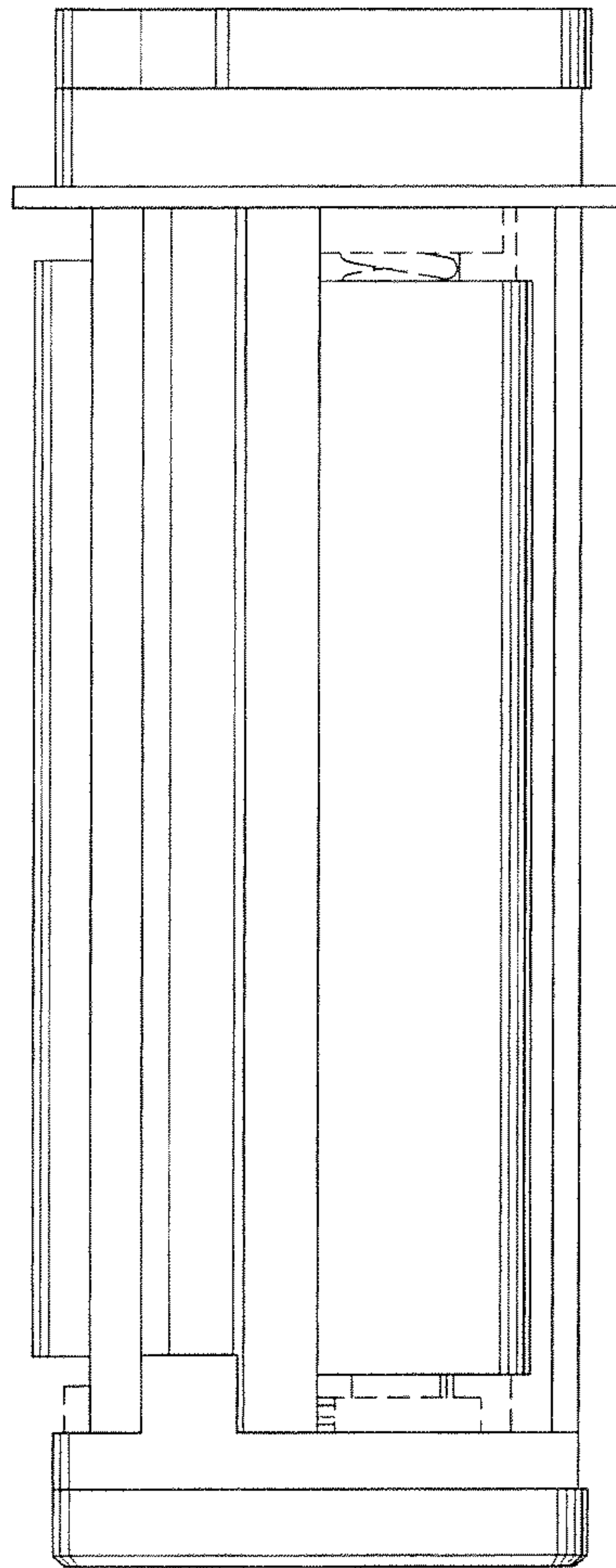


FIG. 4

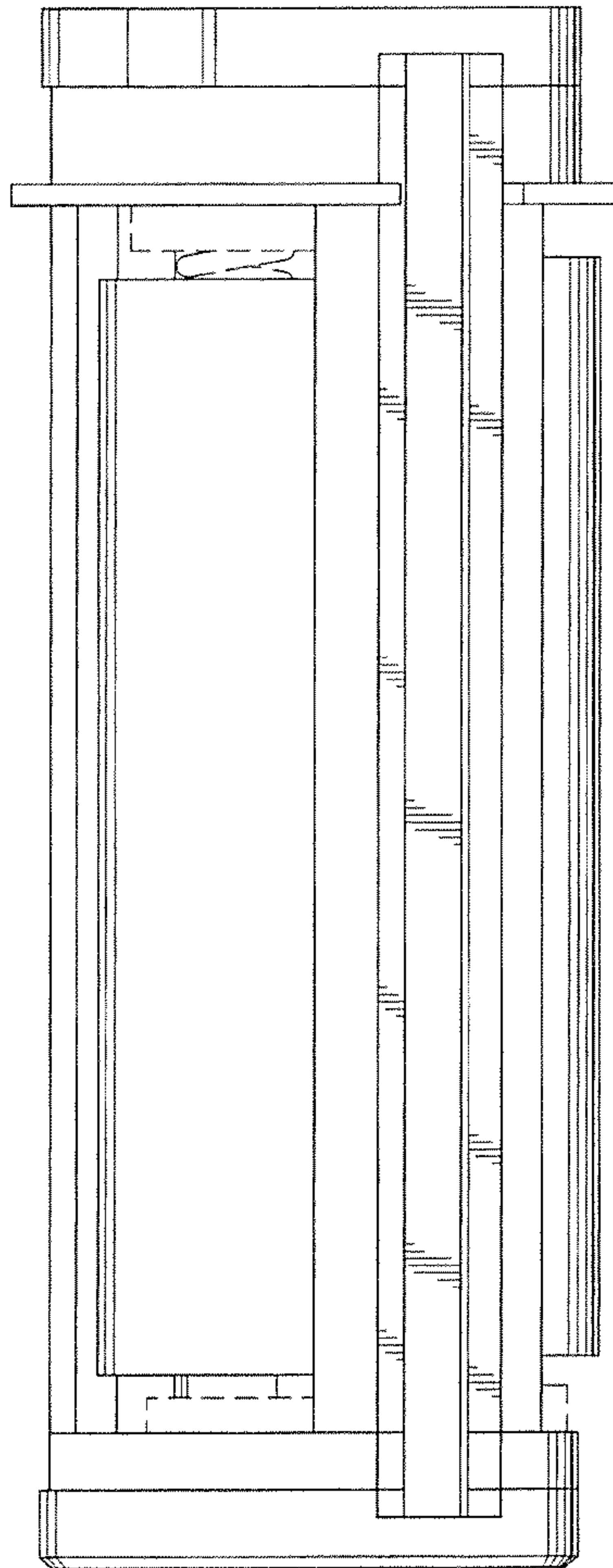


FIG. 5

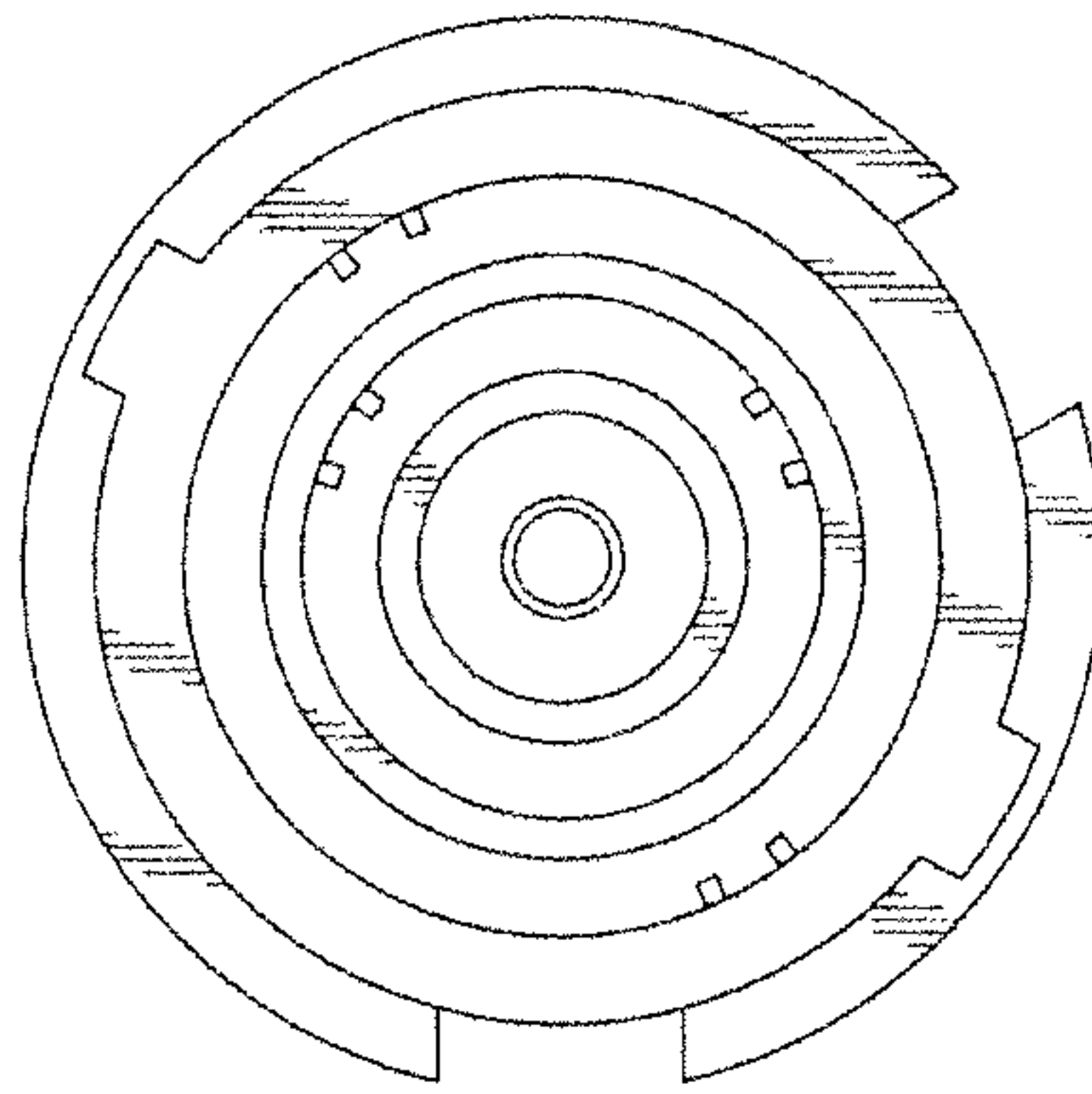


FIG. 6

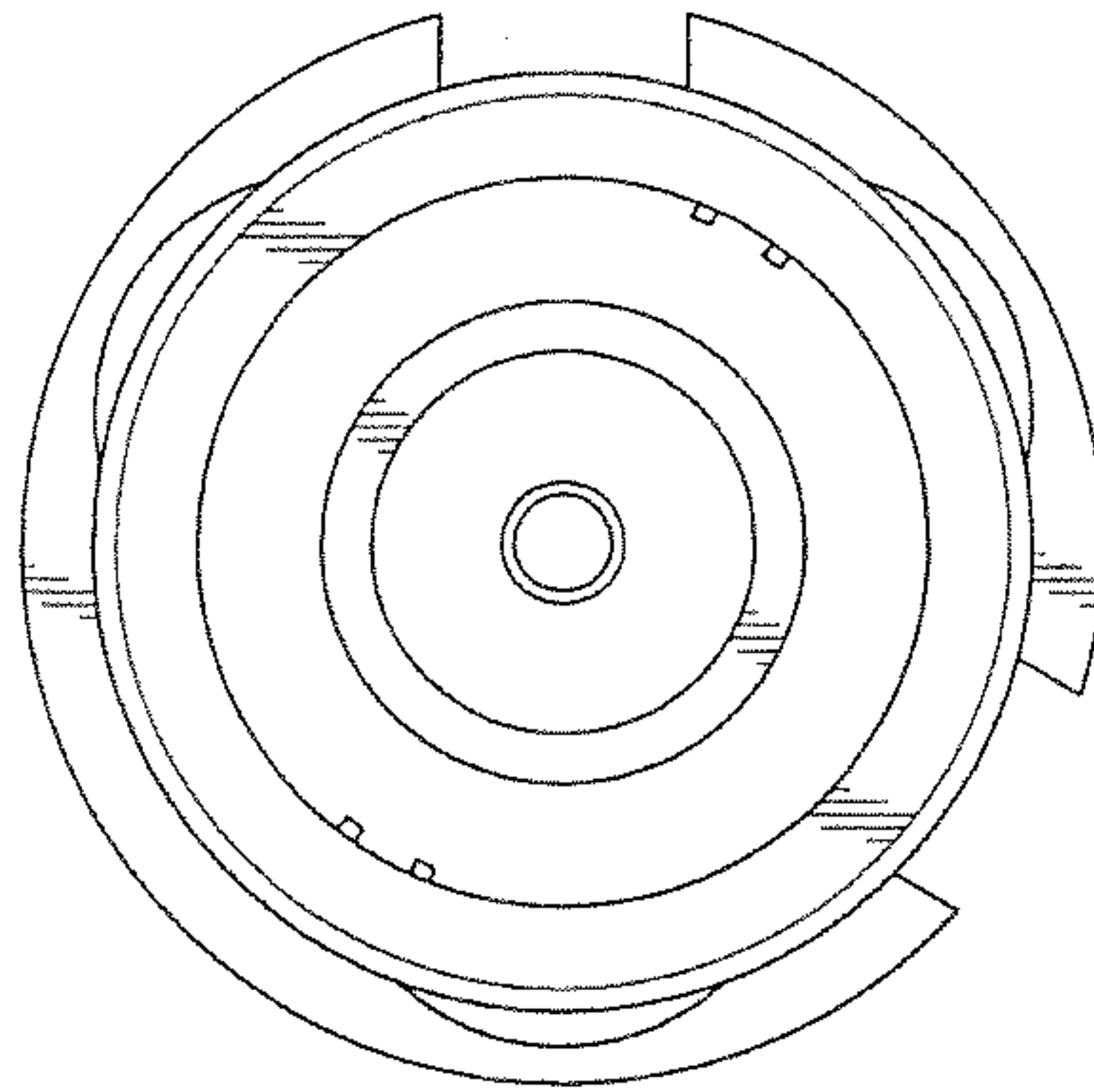


FIG. 7