



US00D720290S

(12) **United States Design Patent**
Wu

(10) **Patent No.:** **US D720,290 S**
(45) **Date of Patent:** **** Dec. 30, 2014**

(54) **POWER ADAPTER**
(71) Applicant: **Well Shin Technology Co., Ltd.**, Taipei (TW)
(72) Inventor: **Jui-Hsiung Wu**, Taipei (TW)
(73) Assignee: **Well Shin Technology Co., Ltd.**, Taipei (TW)

(**) Term: **14 Years**
(21) Appl. No.: **29/446,168**
(22) Filed: **Feb. 21, 2013**

(51) **LOC (10) Cl.** **13-02**
(52) **U.S. Cl.**
USPC **D13/110**

(58) **Field of Classification Search**
CPC H01R 13/00; H01R 13/44; H01R 25/00;
H01R 27/00; H01R 27/02; H01R 31/06;
H01R 31/065; H02J 1/00; H02J 7/00; H02J
7/0044
USPC D13/110, 107, 108, 123, 133, 137.1,
D13/138.1, 139.1, 144, 199; 174/53, 54, 59,
174/61; 307/150, 151; 320/111, 114;
363/132, 140, 142, 143, 146; 439/105,
439/131, 166, 171-173, 218, 222, 345, 518,
439/692, 956; D14/240, 251, 253, 432,
D14/433, 434

See application file for complete search history.

(56) **References Cited**
U.S. PATENT DOCUMENTS

5,613,863 A * 3/1997 Klaus et al. 439/131

5,684,689 A * 11/1997 Hahn 363/146
6,042,400 A * 3/2000 Queffelec et al. 439/131
D568,814 S * 5/2008 Hung D13/123
D592,141 S * 5/2009 Mancari et al. D13/139.1
D593,031 S * 5/2009 Miyatake et al. D13/110
D618,618 S * 6/2010 Lee et al. D13/144
D660,797 S * 5/2012 Wu D13/110
2007/0161278 A1 * 7/2007 Yen et al. 439/222

* cited by examiner

Primary Examiner — Derrick Holland
(74) *Attorney, Agent, or Firm* — Lin & Associates IP, Inc

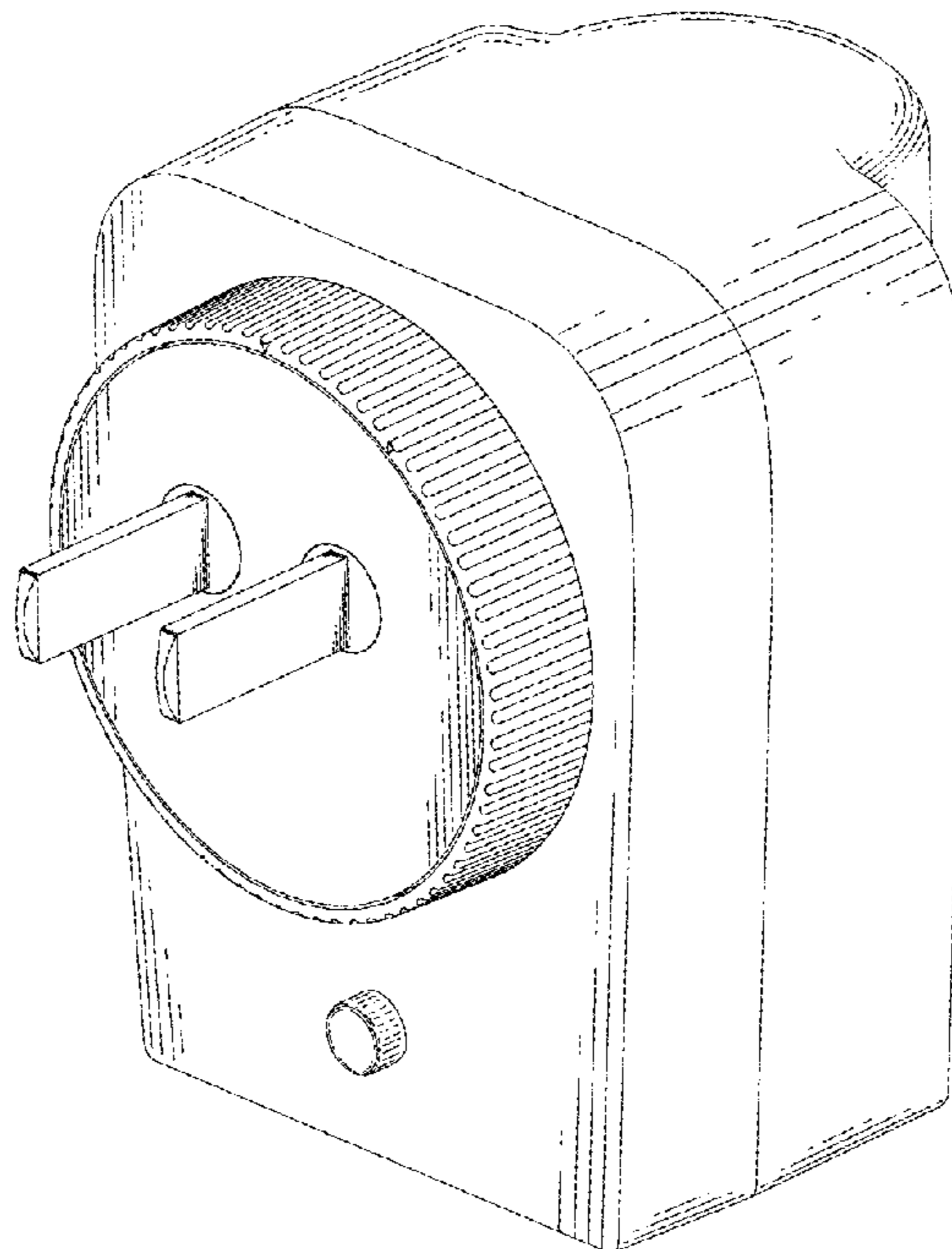
(57) **CLAIM**

The ornamental design for a power adapter, as shown and described.

DESCRIPTION

FIG. 1 is a perspective view of a power adapter showing my new design;
FIG. 2 is a front elevational view thereof;
FIG. 3 is a rear elevational view thereof;
FIG. 4 is a left side elevational view thereof;
FIG. 5 is a right side elevational view thereof;
FIG. 6 is a top plan view thereof;
FIG. 7 is a bottom plan view thereof; and,
FIG. 8 is a perspective view thereof, with the prong elements in alternate position.
The broken lines shown represent unclaimed subject matter and form no part of the claimed design.

1 Claim, 8 Drawing Sheets



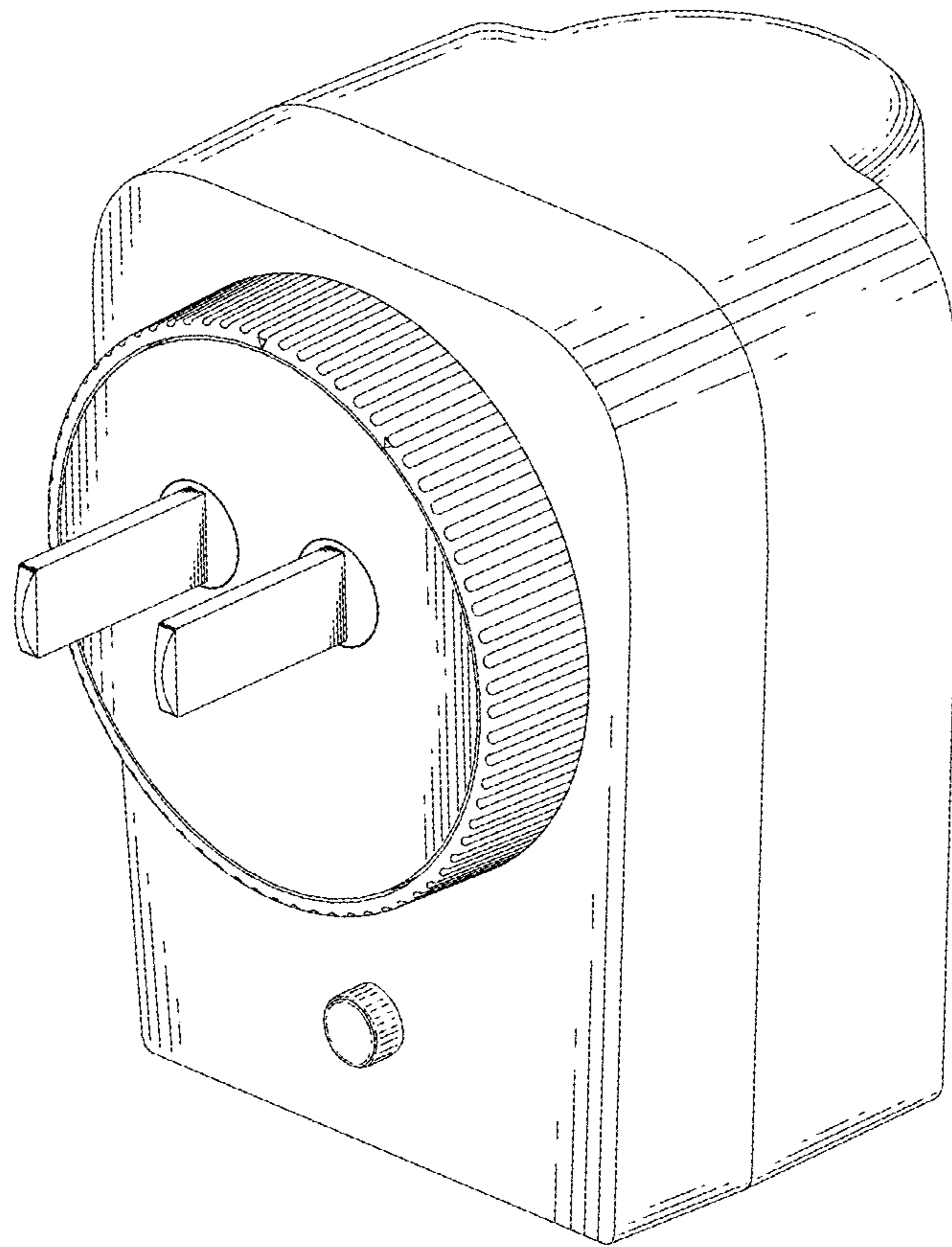


FIG. 1

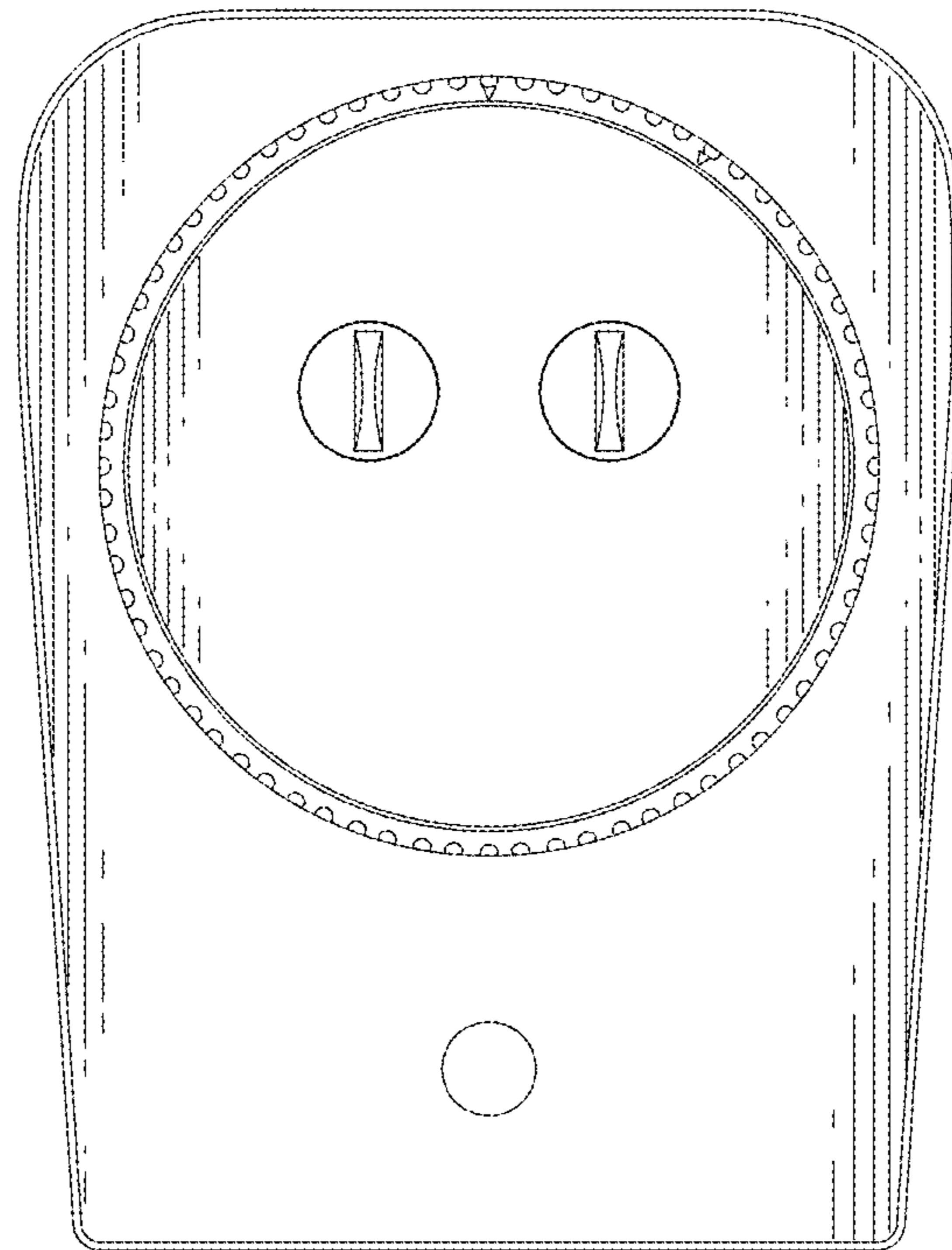


FIG. 2

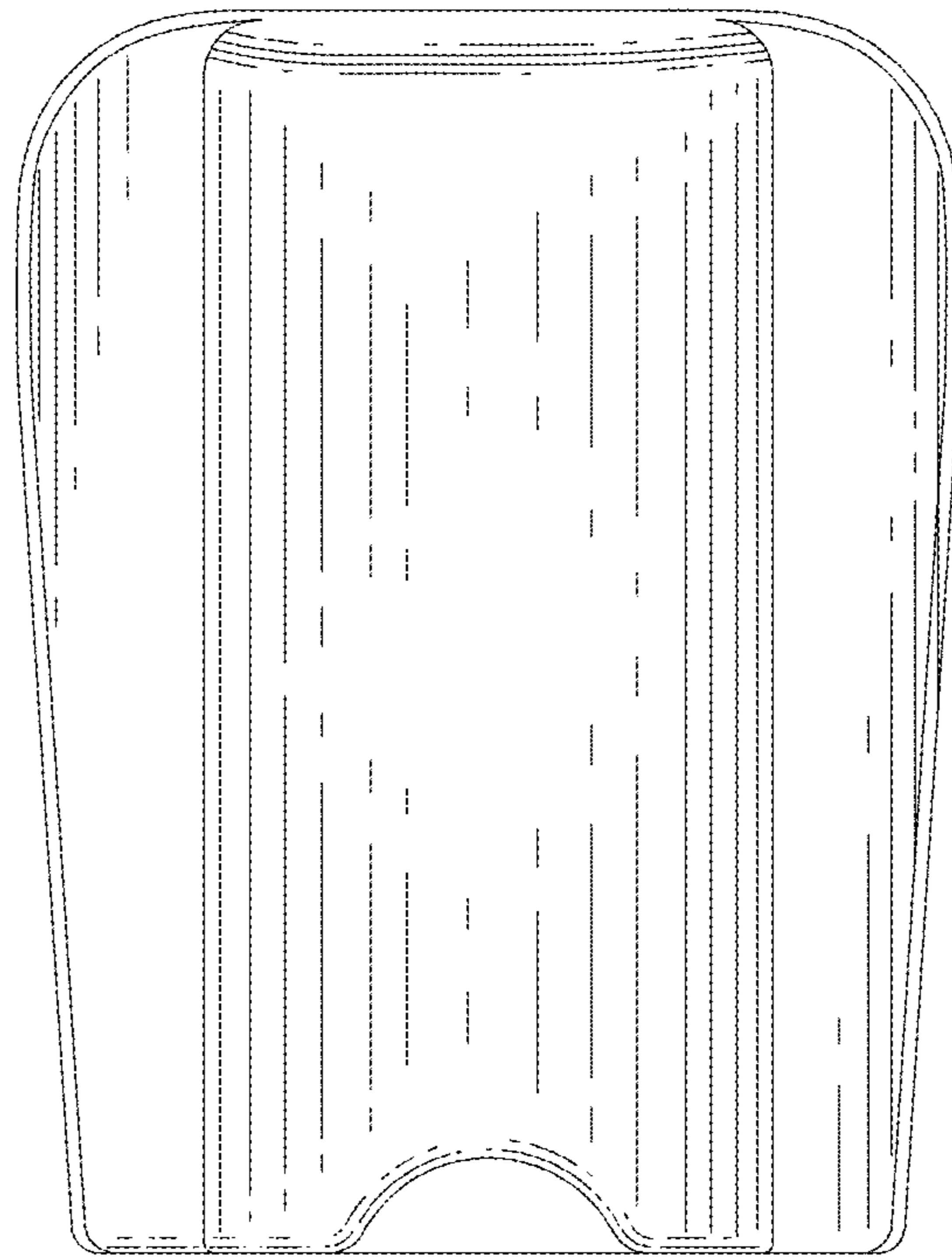


FIG. 3

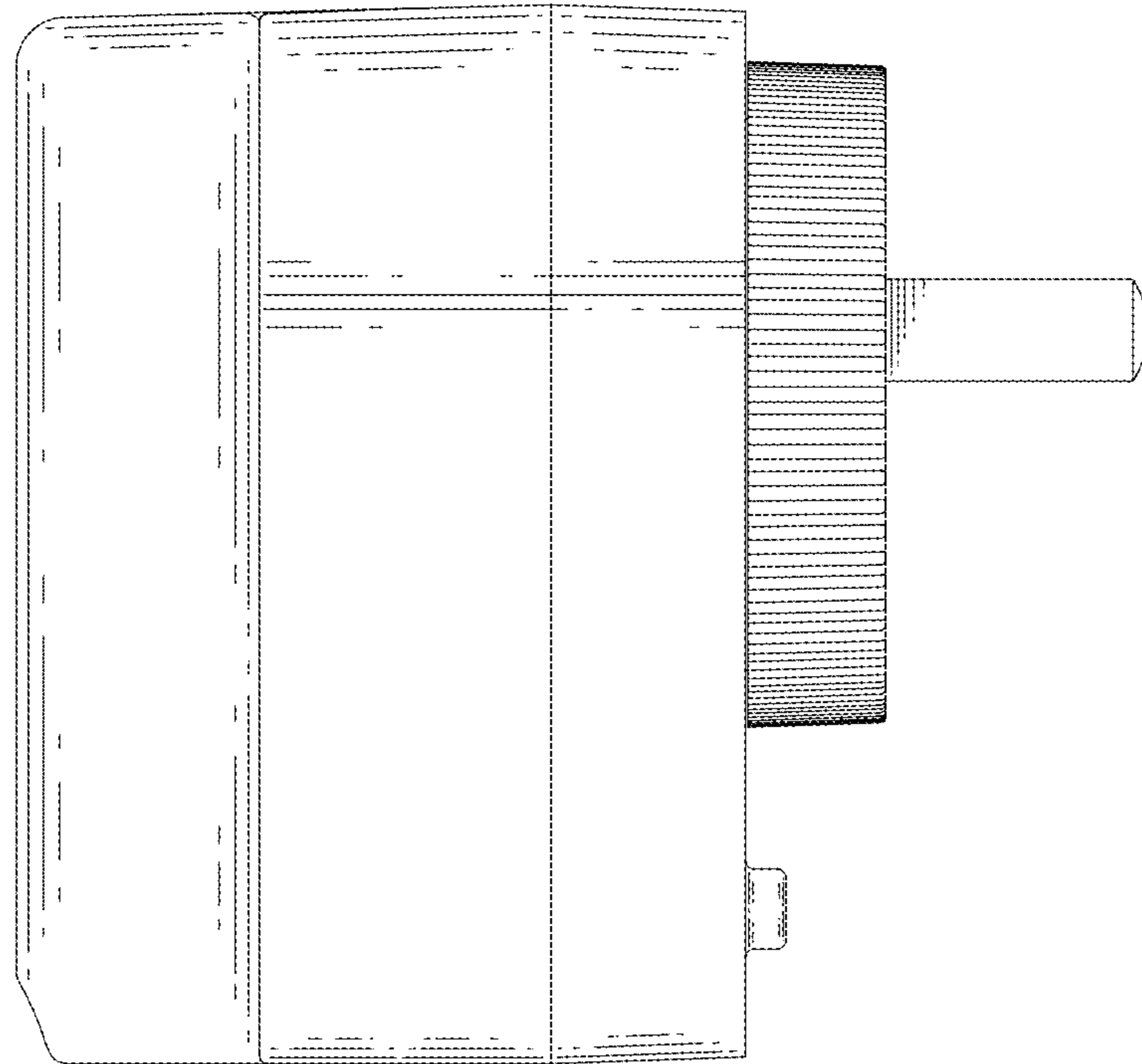


FIG. 4

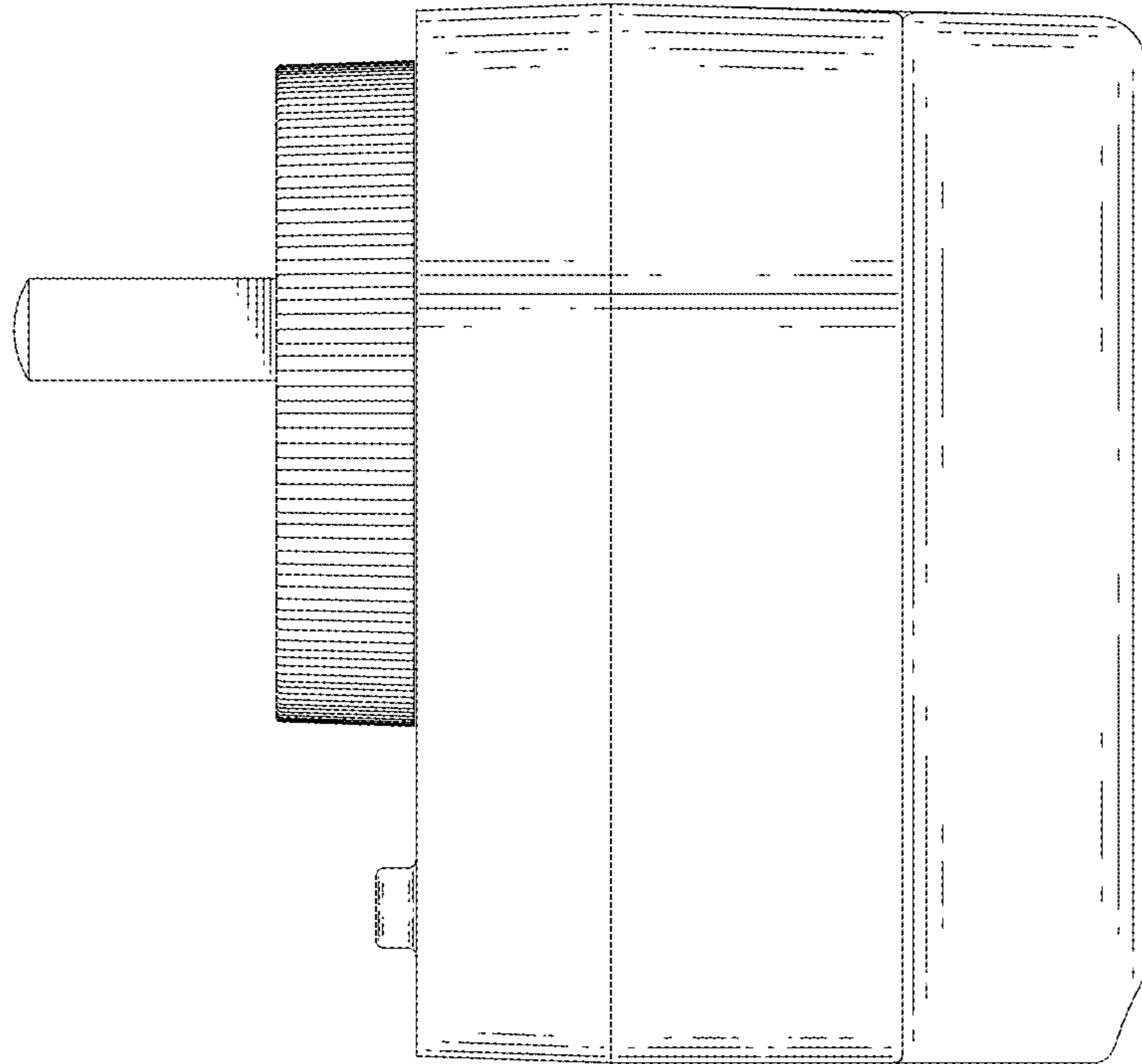


FIG. 5

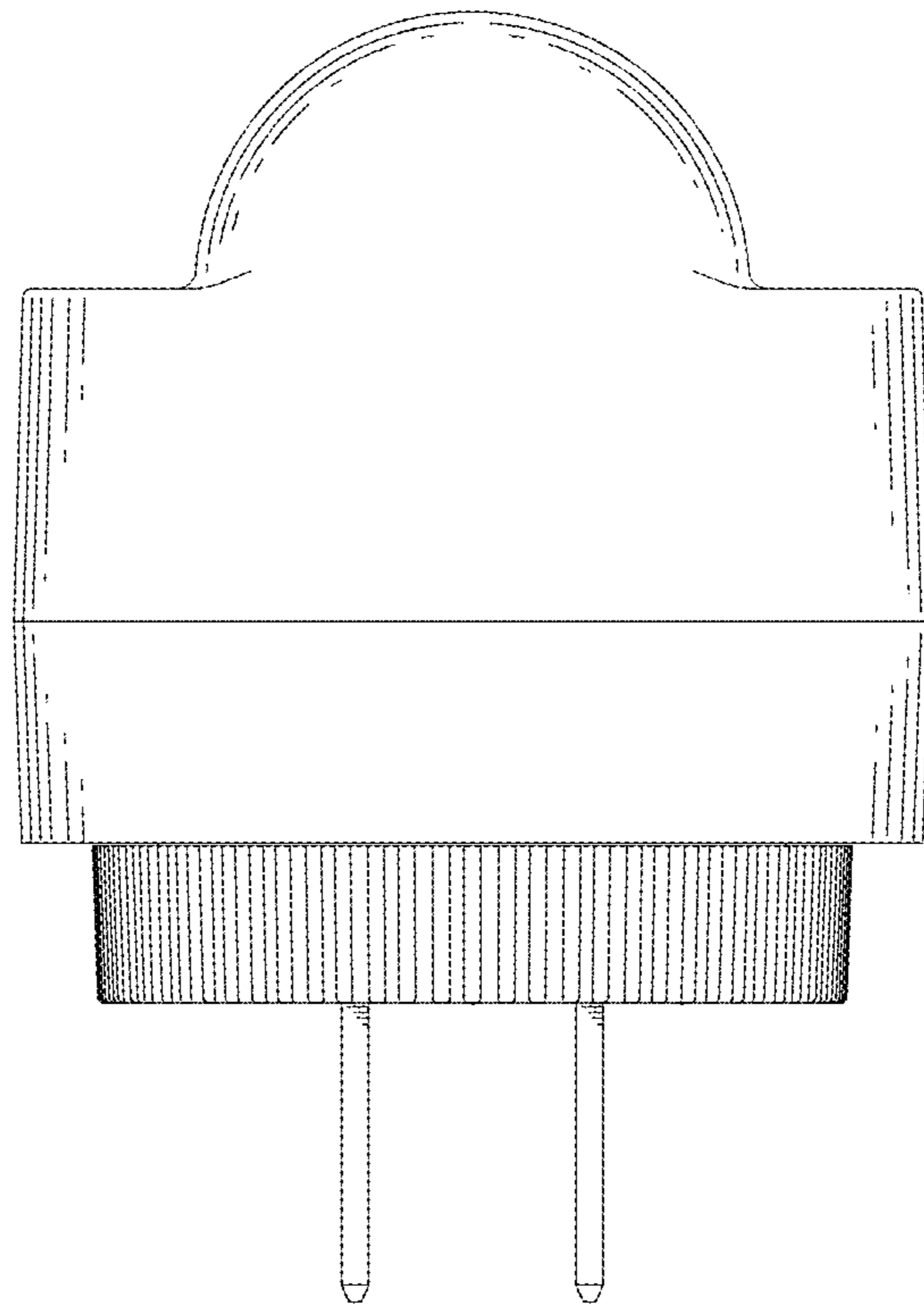


FIG. 6

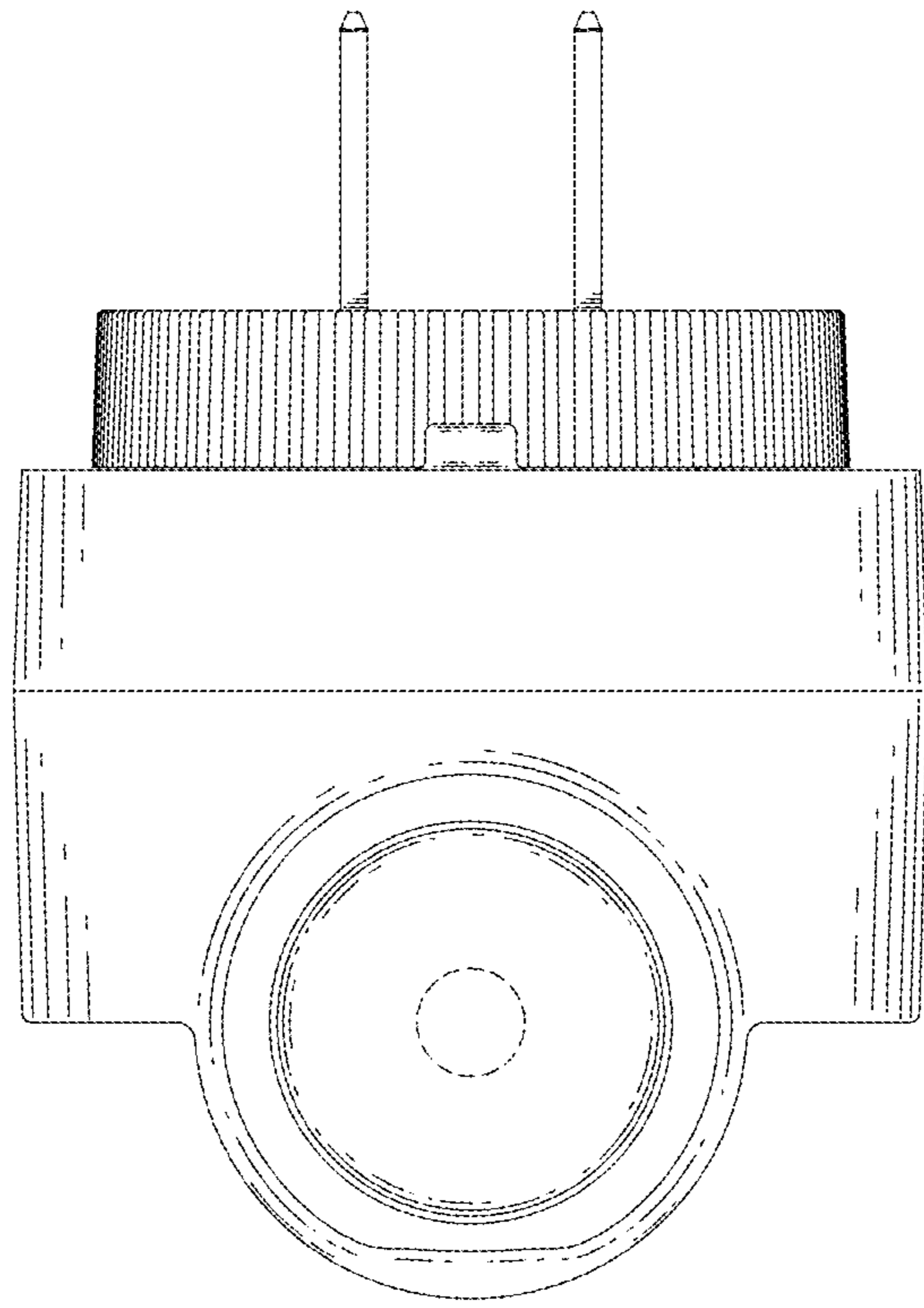


FIG. 7

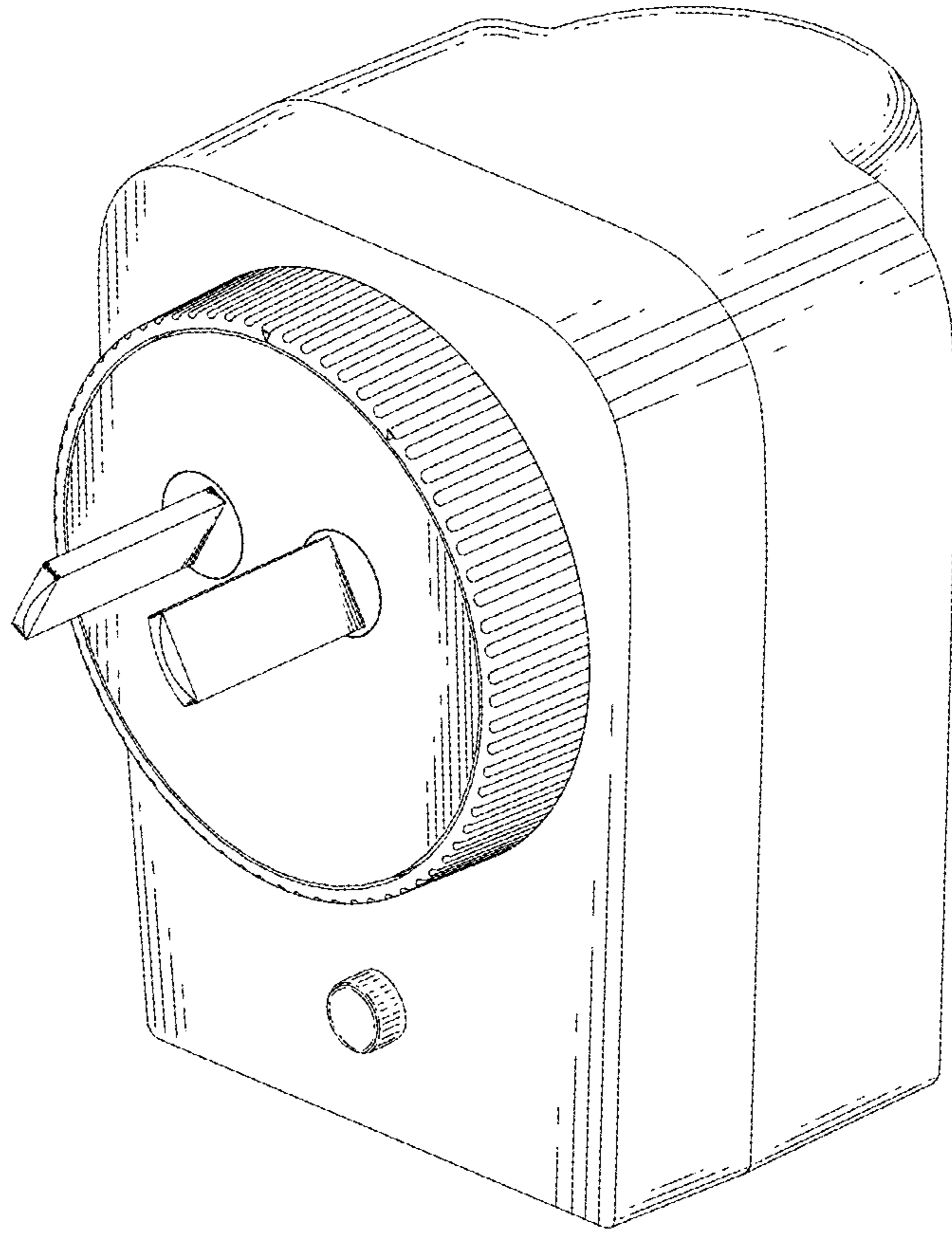


FIG. 8