



US00D720285S

(12) **United States Design Patent**
Gilomen

(10) **Patent No.:** **US D720,285 S**

(45) **Date of Patent:** **** *Dec. 30, 2014**

(54) **CHARGING STATION**

(75) Inventor: **Micha Gilomen**, Zurich (CH)

(73) Assignee: **ABB Technology AG**, Zurich (CH)

(*) Notice: This patent is subject to a terminal disclaimer.

(**) Term: **14 Years**

(21) Appl. No.: **29/412,512**

(22) Filed: **Feb. 3, 2012**

(30) **Foreign Application Priority Data**

Aug. 3, 2011 (WO) DM/076 543

(51) **LOC (10) Cl.** **13-02**

(52) **U.S. Cl.**
USPC **D13/107**

(58) **Field of Classification Search**
USPC D13/106–110, 118–119, 184, 199;
D15/9; 320/103–105, 107–115
See application file for complete search history.

(56) **References Cited**

U.S. PATENT DOCUMENTS

D608,731 S *	1/2010	Amit	D13/107
D647,053 S *	10/2011	Gotou et al.	D13/107
D654,430 S *	2/2012	Demers et al.	D13/107
D654,860 S *	2/2012	Holthusen	D13/107
D654,861 S *	2/2012	Holthusen	D13/107
D659,635 S *	5/2012	Hou et al.	D13/107
D664,089 S *	7/2012	Chin-Ho Kim et al.	D13/107
D669,026 S *	10/2012	Oda et al.	D13/107
D674,335 S *	1/2013	Yamashita et al.	D13/107
D676,376 S *	2/2013	Yamada et al.	D13/107
D683,307 S *	5/2013	Lecoanet et al.	D13/107
D688,199 S *	8/2013	Behar et al.	D13/107
D698,309 S *	1/2014	Moribe et al.	D13/107

2011/0145141 A1 *	6/2011	Blain	705/39
2012/0181977 A1 *	7/2012	Okabayashi et al.	320/107
2013/0187599 A1 *	7/2013	Ranga et al.	320/109
2013/0207606 A1 *	8/2013	Ranga et al.	320/109
2013/0335021 A1 *	12/2013	Meier	320/109
2014/0055083 A1 *	2/2014	Moribe et al.	320/107

* cited by examiner

Primary Examiner — Rosemary K Tarcza

(74) *Attorney, Agent, or Firm* — McCracken & Frank LLC

(57) **CLAIM**

The ornamental design for a charging station, as shown and described.

DESCRIPTION

FIG. 1 is a perspective view of a front, left side, and top of an ornamental design for a charging station;

FIG. 2 is a front elevational view of the charging station of FIG. 1;

FIG. 3 is a rear elevational view of the charging station of FIG. 1;

FIG. 4 is a left side elevational view of the charging station of FIG. 1;

FIG. 5 is a right side elevational view of the charging station of FIG. 1;

FIG. 6 is a top plan view of the charging station of FIG. 1;

FIG. 7 is a perspective view of a front, left side, and top of a further embodiment of the charging station of FIG. 1;

FIG. 8 is a front elevational view of the charging station of FIG. 7;

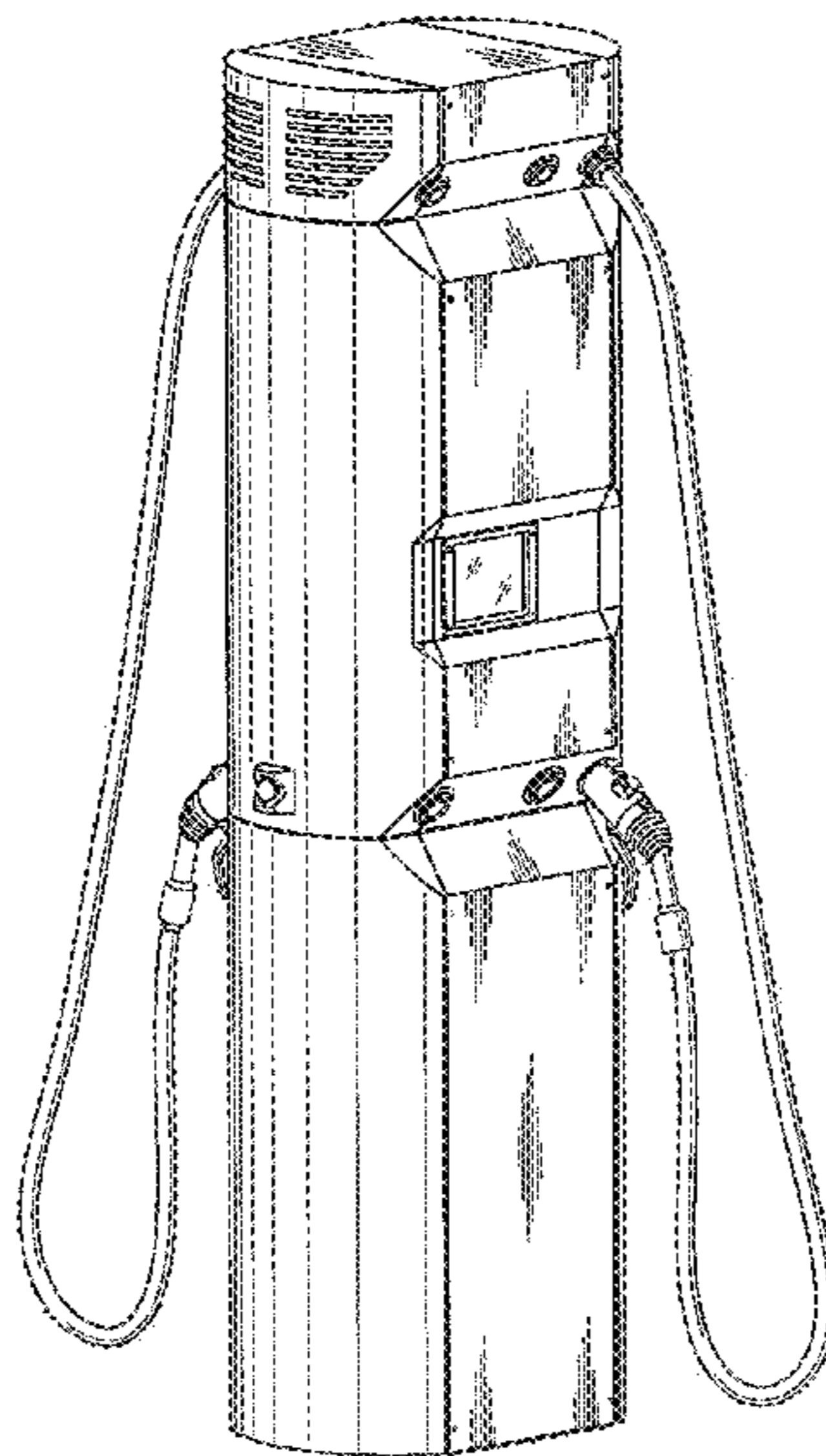
FIG. 9 is a rear elevational view of the charging station of FIG. 7;

FIG. 10 is a left side elevational view of the charging station of FIG. 7;

FIG. 11 is a right side elevational view of the charging station of FIG. 7; and,

FIG. 12 is a top plan view of the charging station of FIG. 7.

1 Claim, 12 Drawing Sheets



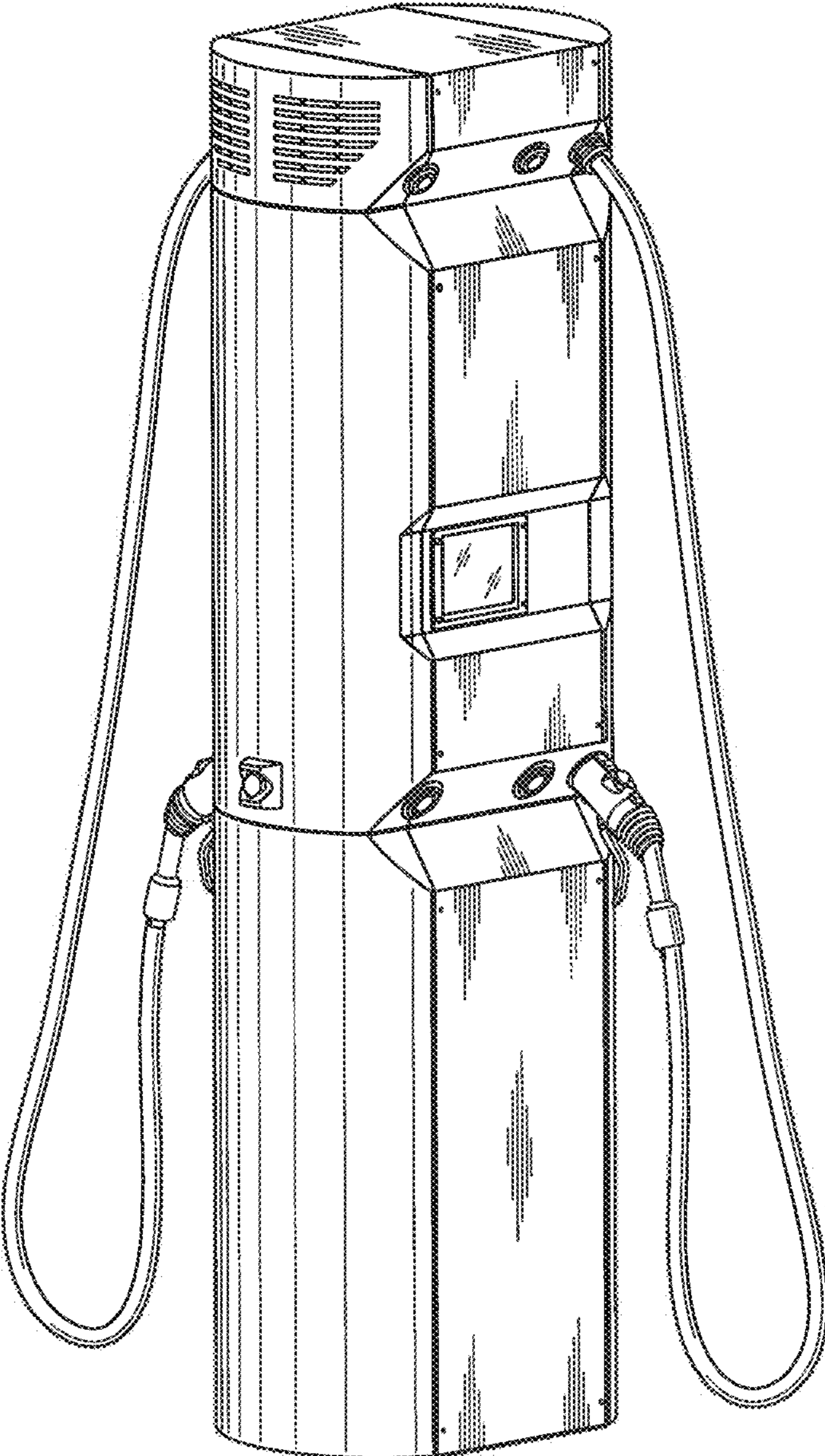


FIG. 1

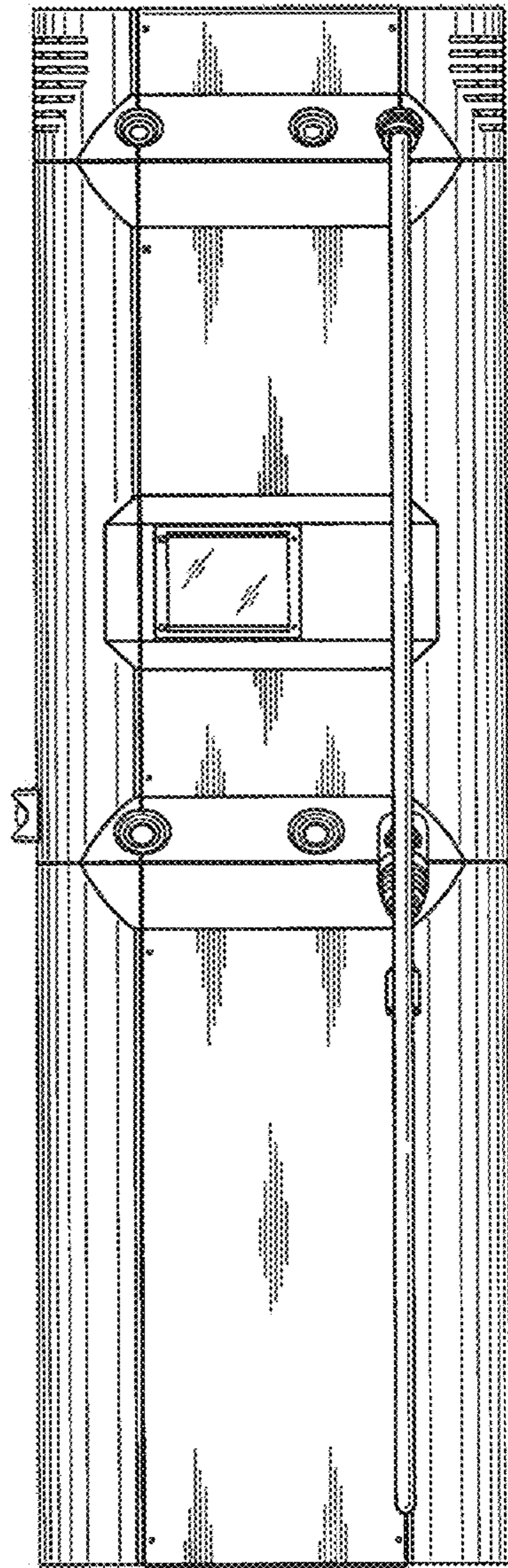


FIG. 2

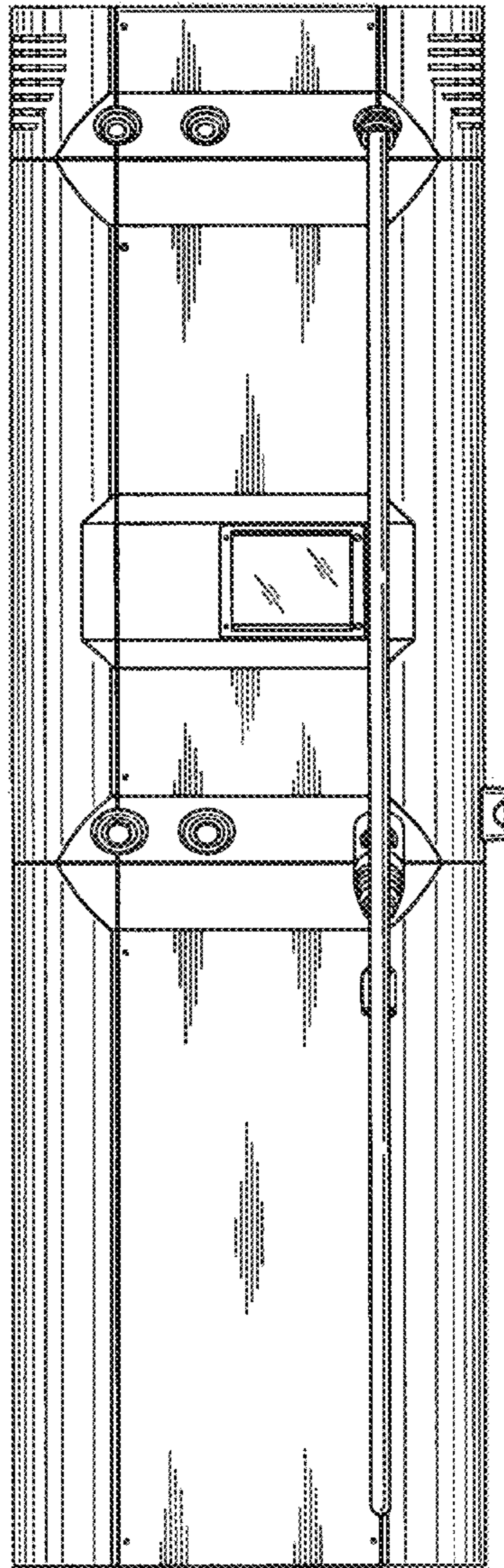


FIG. 3

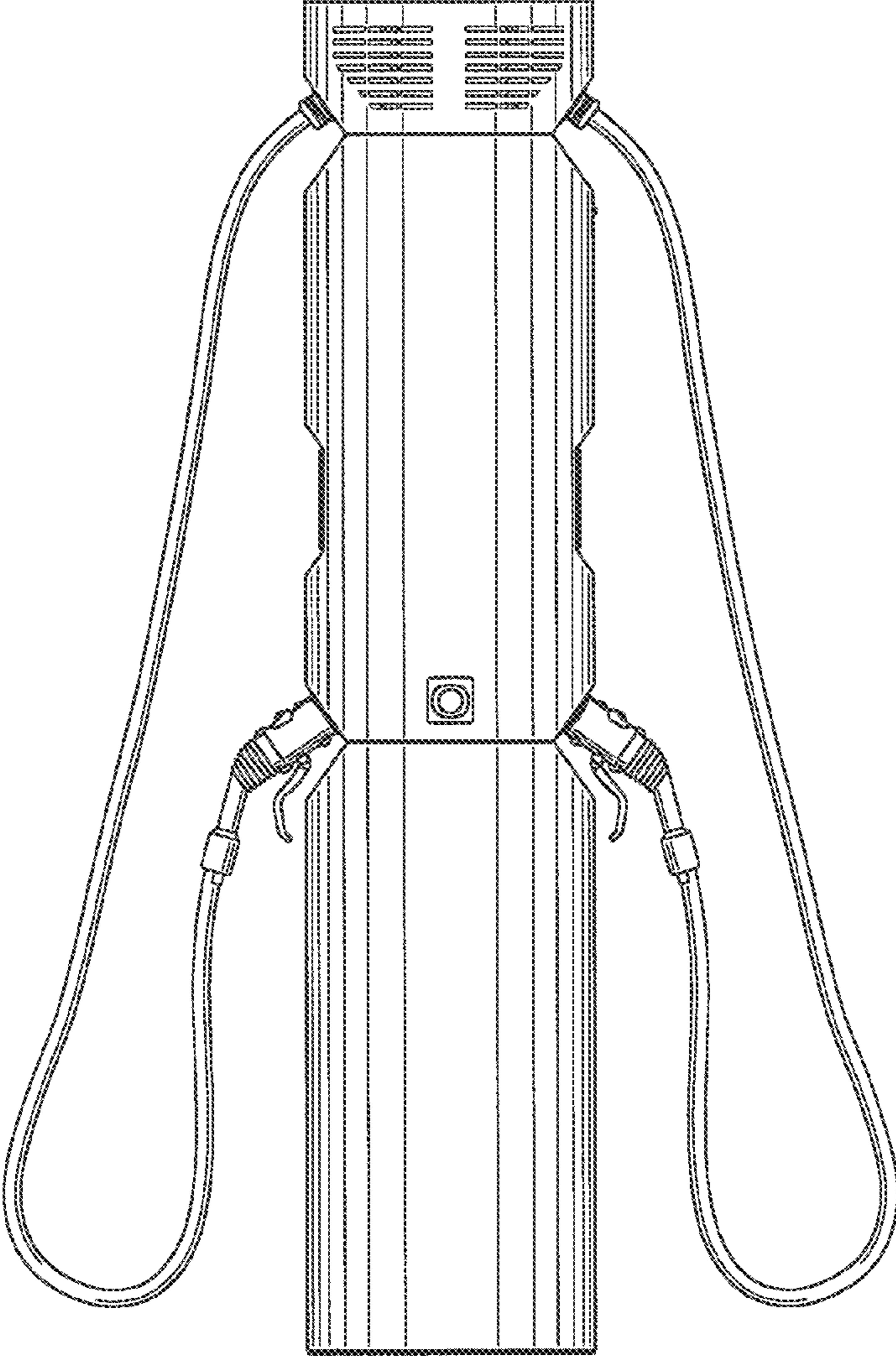


FIG. 4

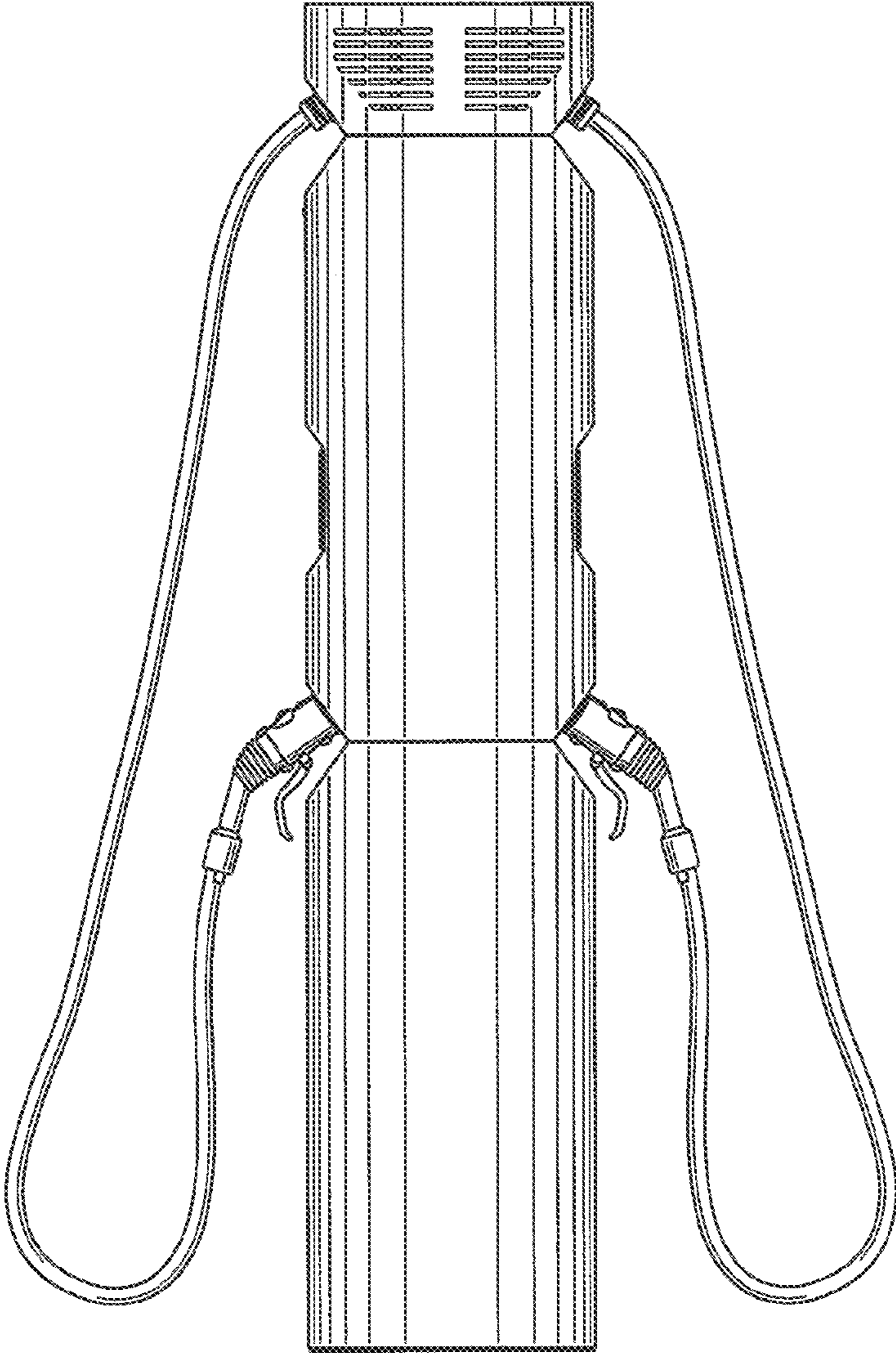


FIG. 5

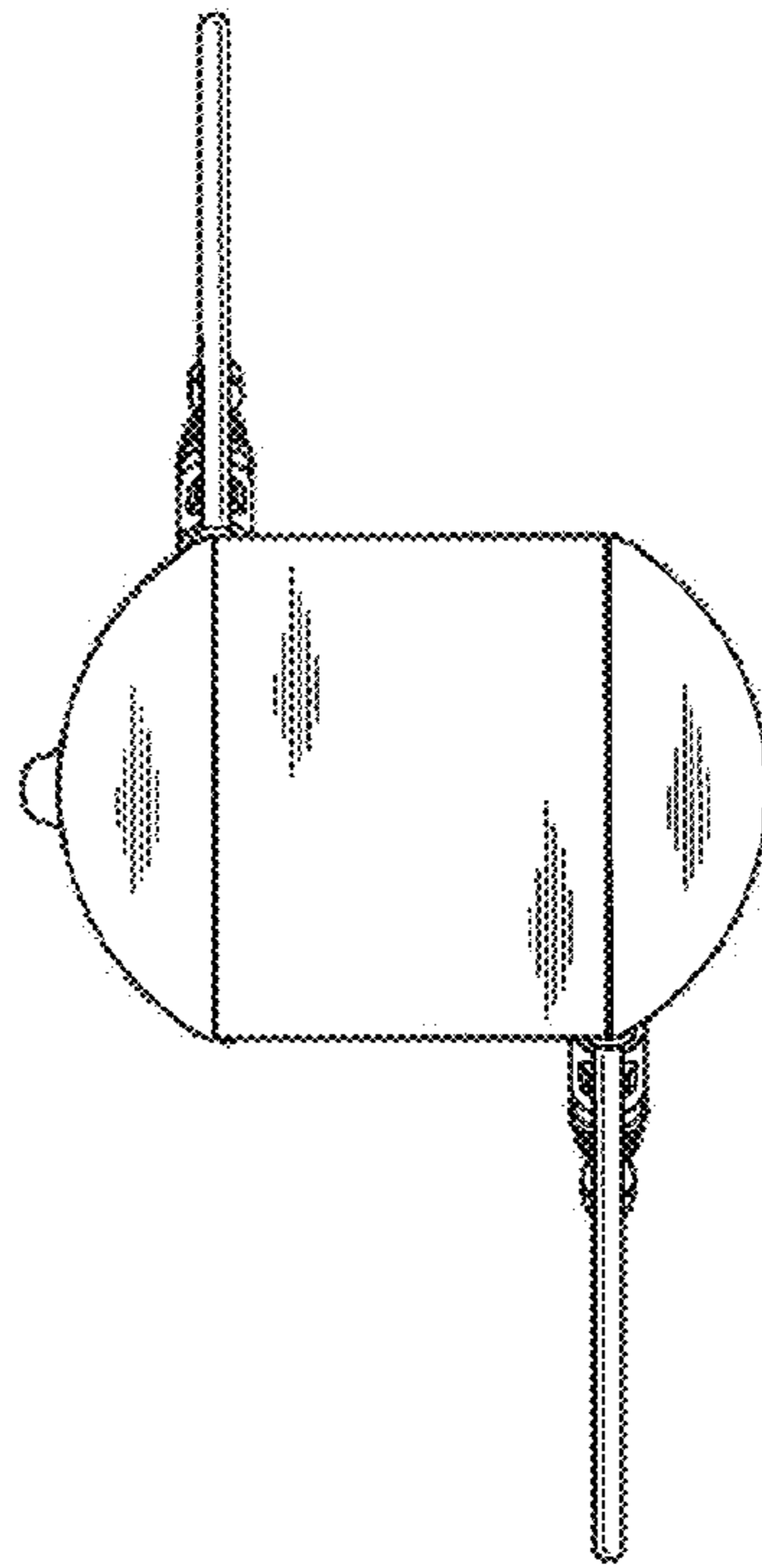


FIG. 6

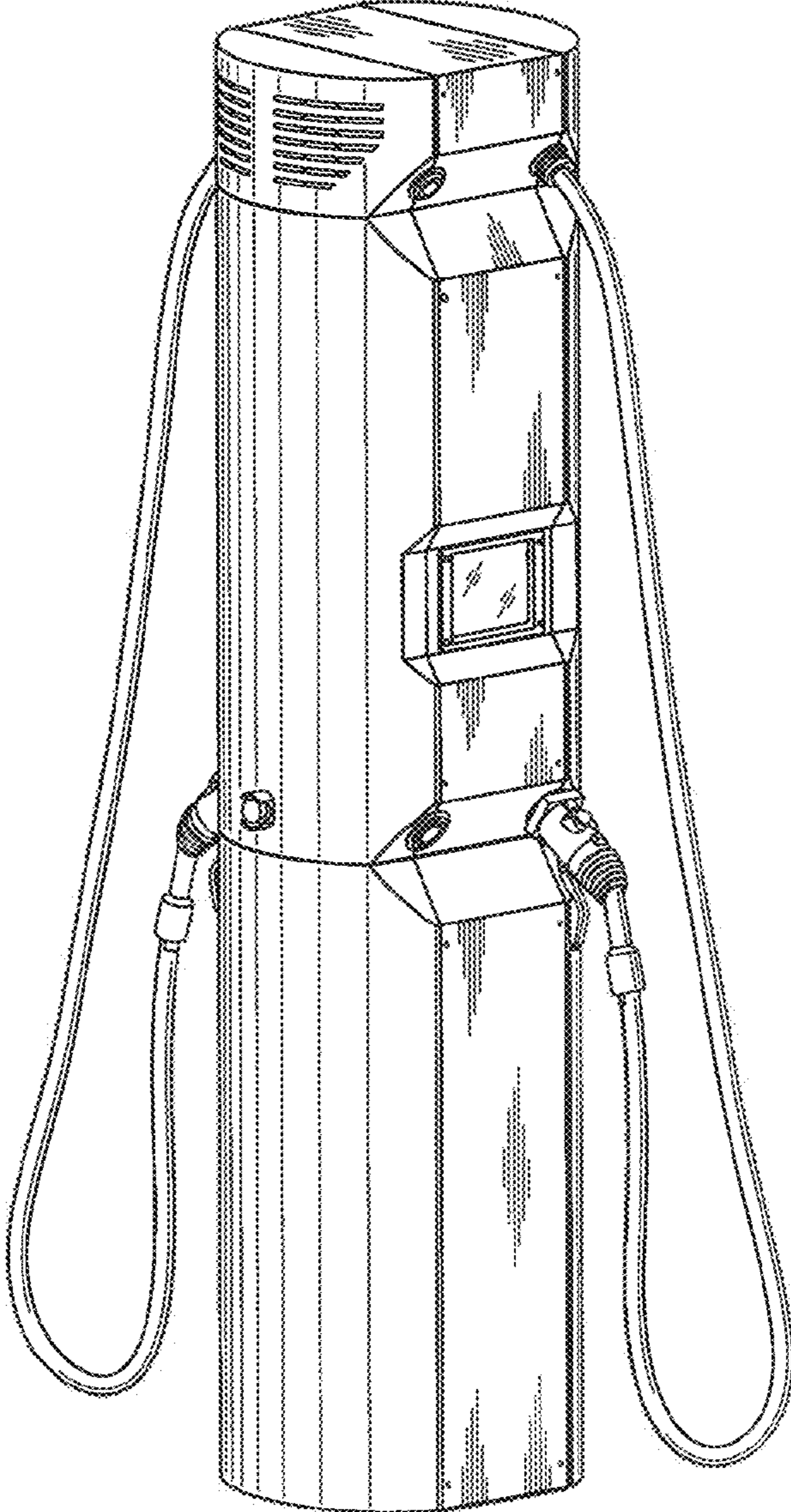


FIG. 7

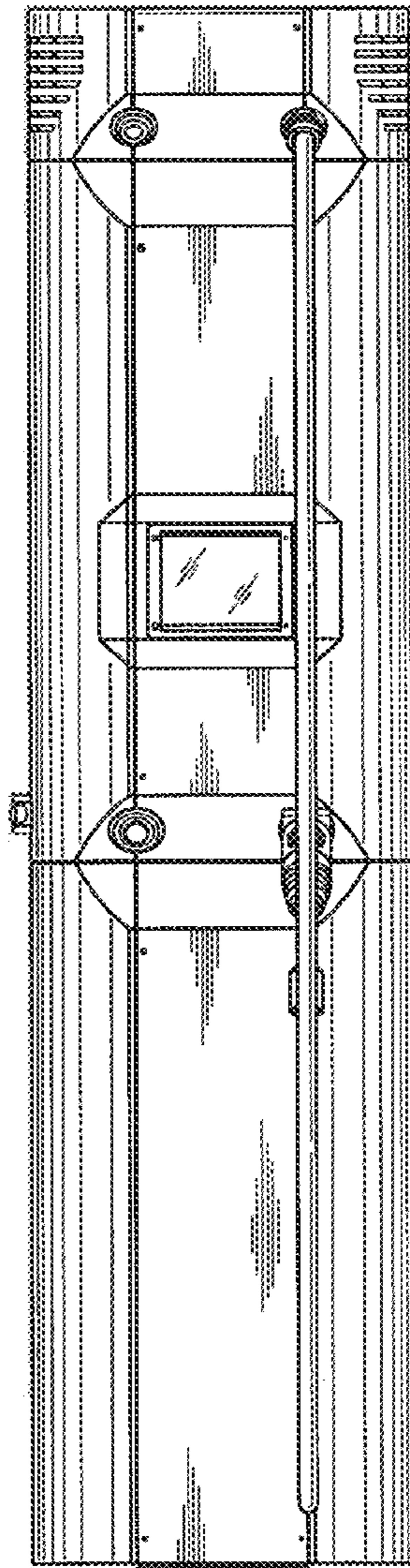


FIG. 8

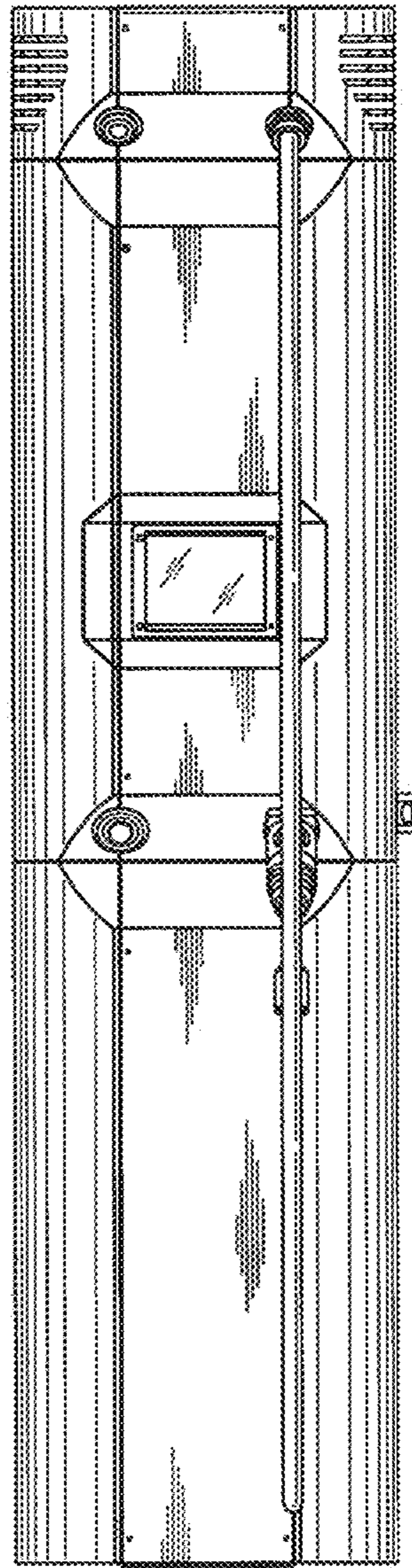


FIG. 9

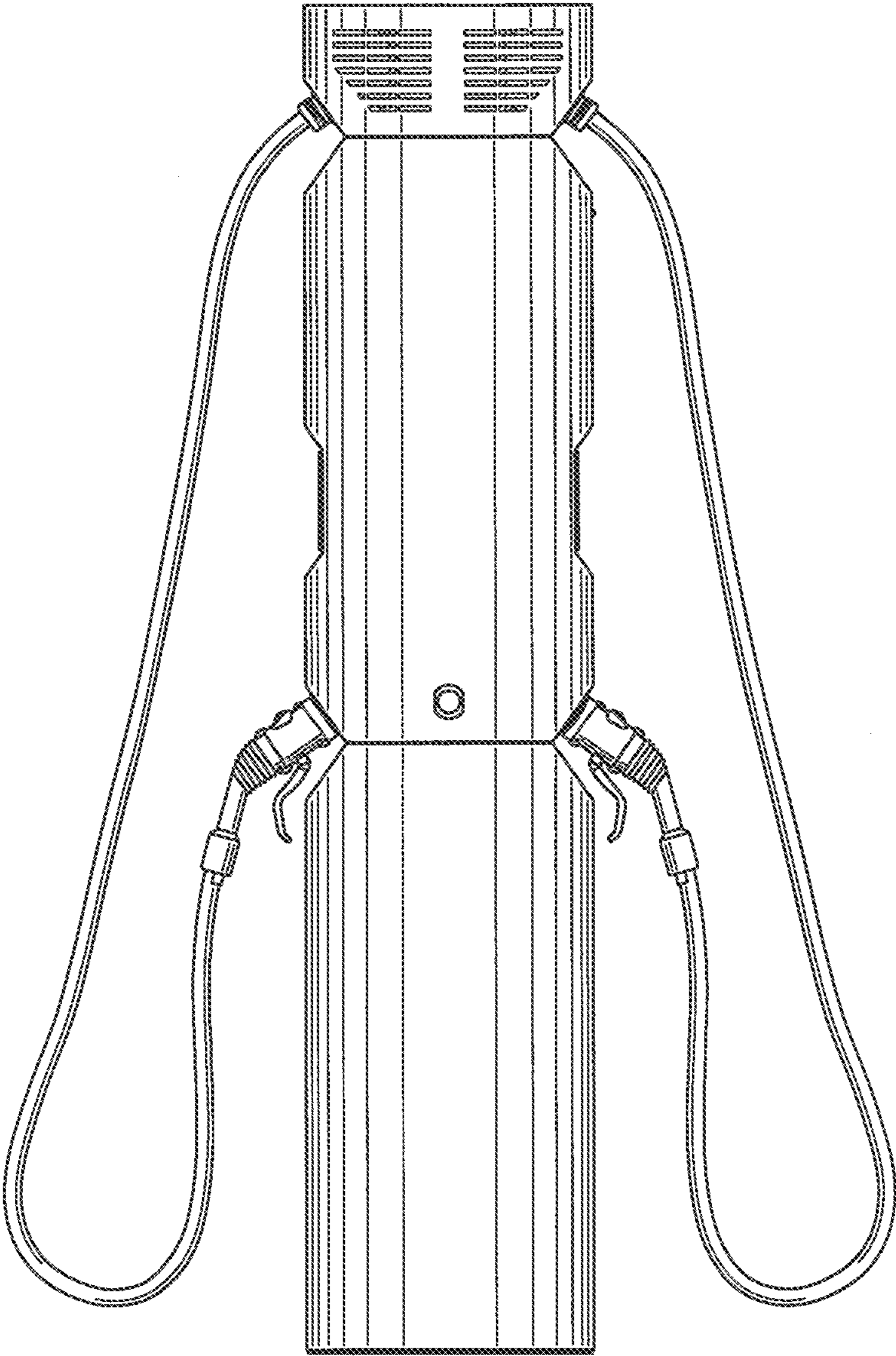


FIG. 10

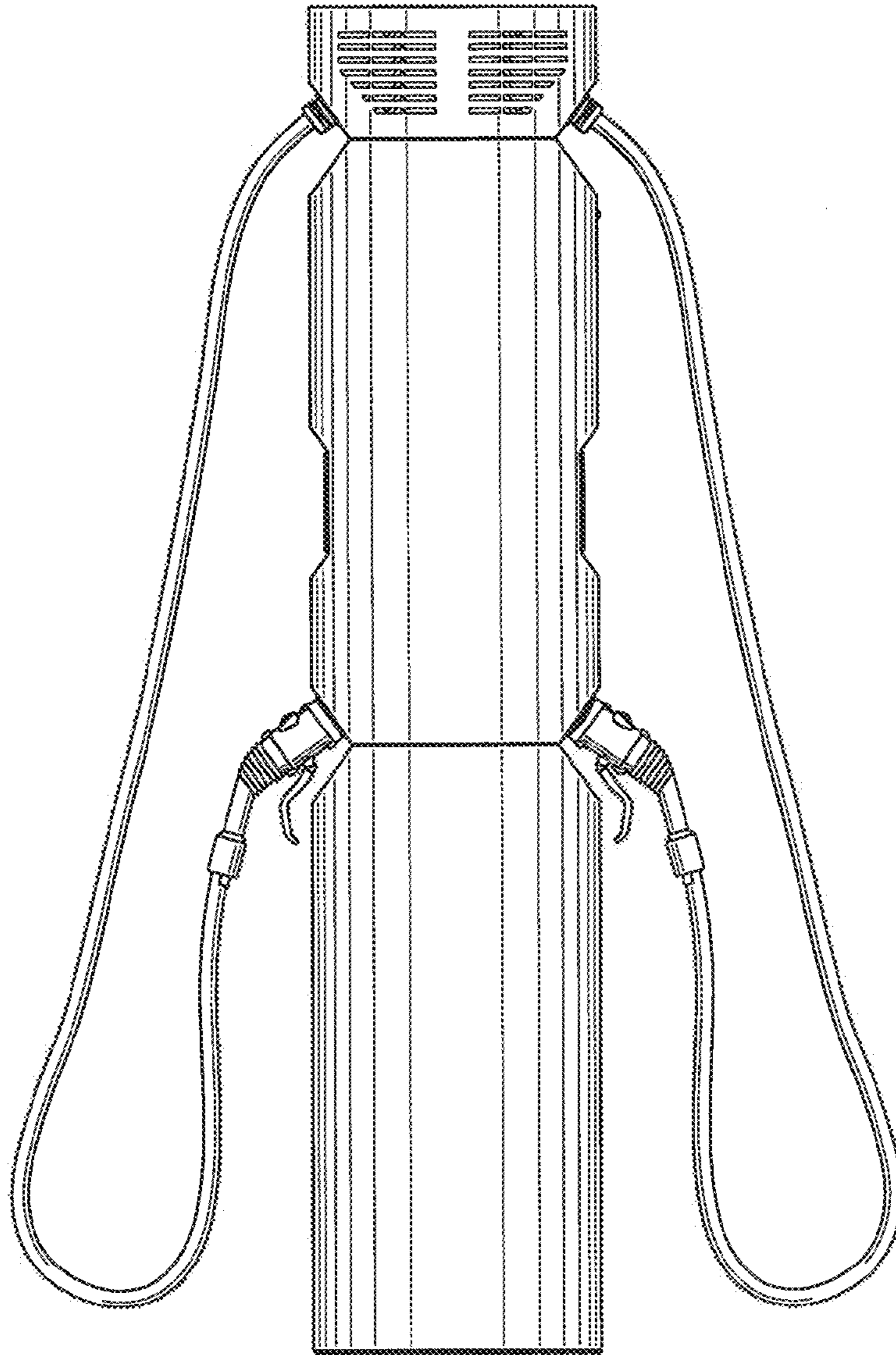


FIG. 11

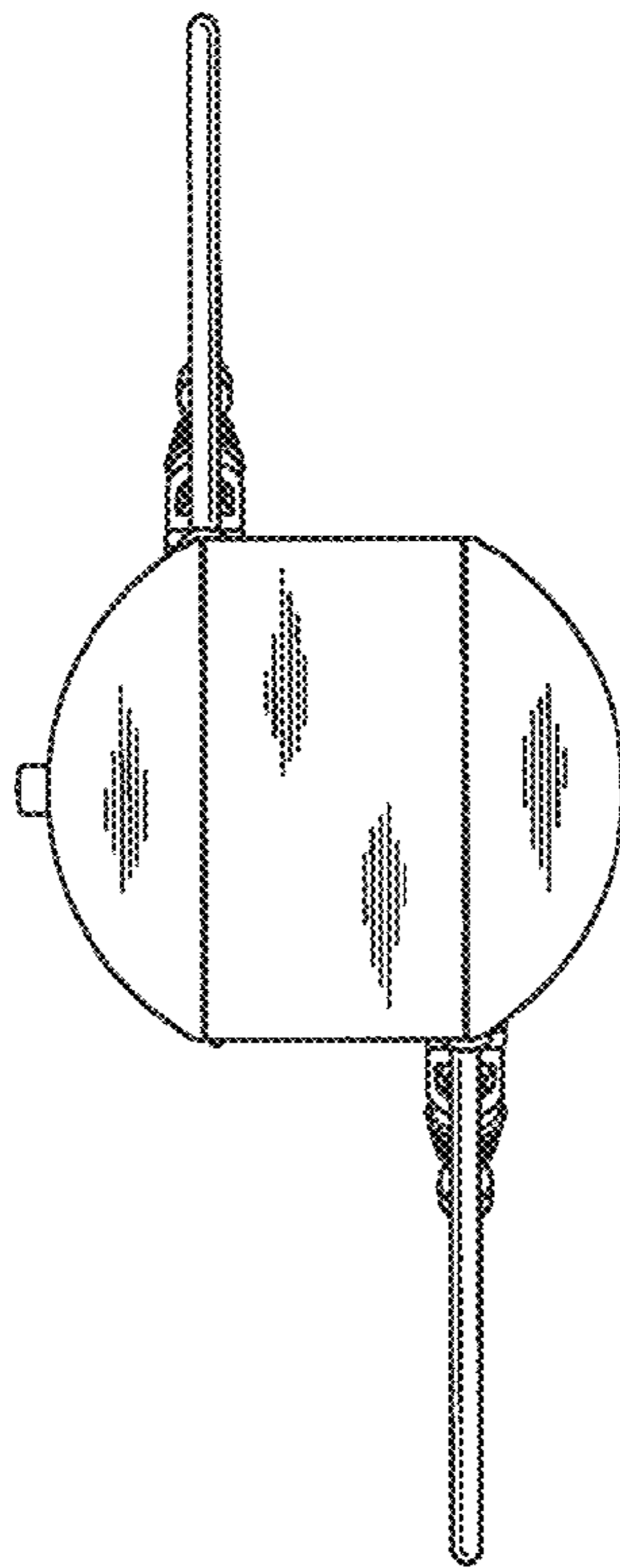


FIG. 12