



US00D720278S

(12) **United States Design Patent**  
**Pinkall**

(10) **Patent No.:** **US D720,278 S**

(45) **Date of Patent:** **\*\* Dec. 30, 2014**

(54) **WHEEL CHOCK**

(71) Applicant: **Shawn Pinkall**, Omro, WI (US)

(72) Inventor: **Shawn Pinkall**, Omro, WI (US)

(\*\*) Term: **14 Years**

(21) Appl. No.: **29/498,842**

(22) Filed: **Aug. 8, 2014**

(51) **LOC (10) Cl.** ..... **12-06**

(52) **U.S. Cl.**  
USPC ..... **D12/217**

(58) **Field of Classification Search**  
USPC ..... D12/217, 203, 400; 188/4 R, 5, 32, 35,  
188/36; D34/32  
See application file for complete search history.

(56) **References Cited**

**U.S. PATENT DOCUMENTS**

D191,276 S *	9/1961	Jicha et al.	.....	D12/217
D298,823 S *	12/1988	Zutler	.....	D12/217
D307,575 S *	5/1990	Gano	.....	D12/217
D365,078 S *	12/1995	Ziaylek	.....	D12/217

D502,138 S *	2/2005	Bateman	.....	D12/217
7,040,461 B2 *	5/2006	Chrisco et al.	.....	188/32
D546,749 S *	7/2007	Bateman	.....	D12/217
D601,479 S *	10/2009	Shaw	.....	D12/217
D646,614 S *	10/2011	Brockington et al.	.....	D12/217
D662,026 S *	6/2012	Beranek et al.	.....	D12/217
D683,924 S *	6/2013	Wolfenbarger et al.	.....	D12/217

\* cited by examiner

*Primary Examiner* — Stacia Cadmus

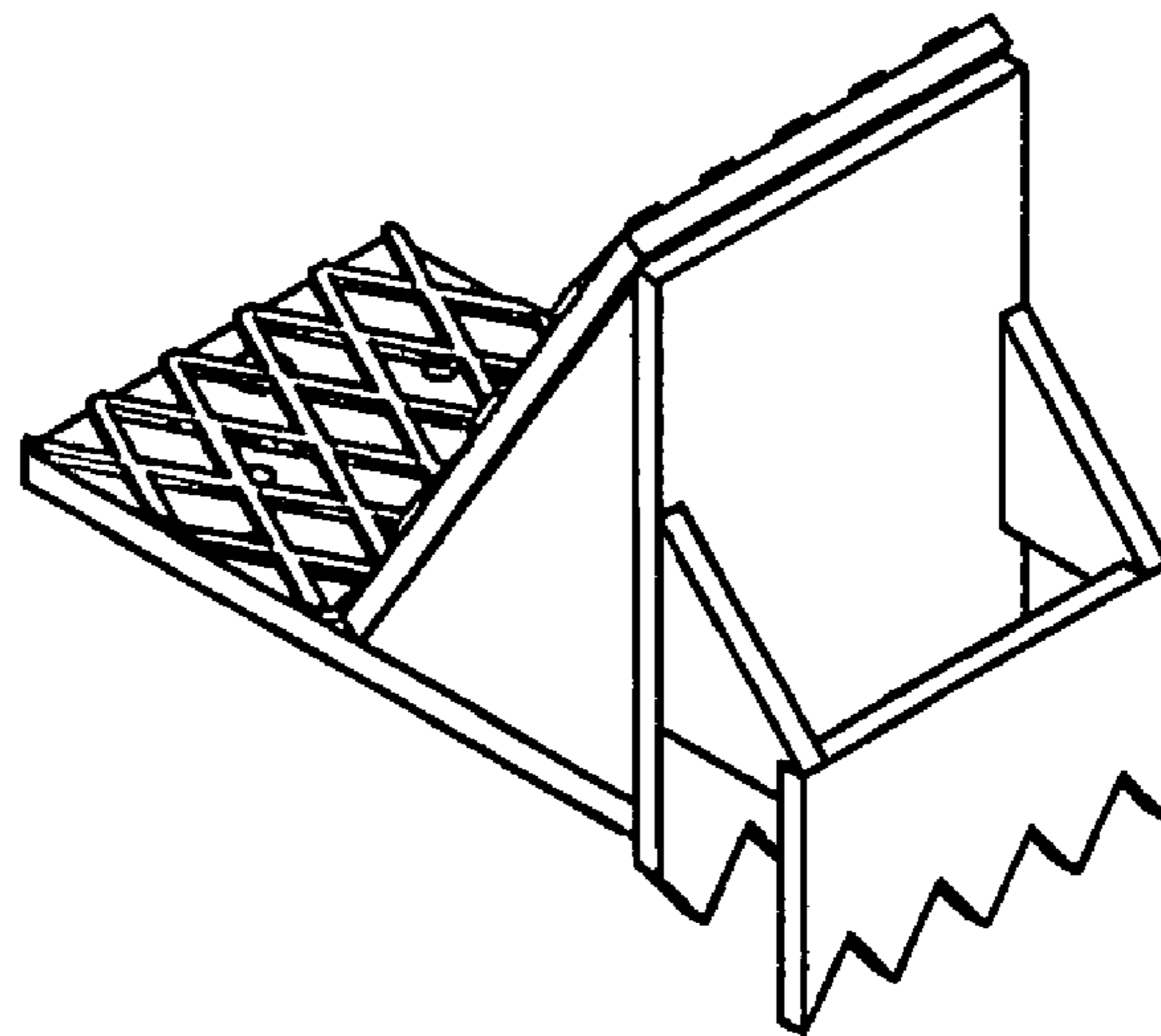
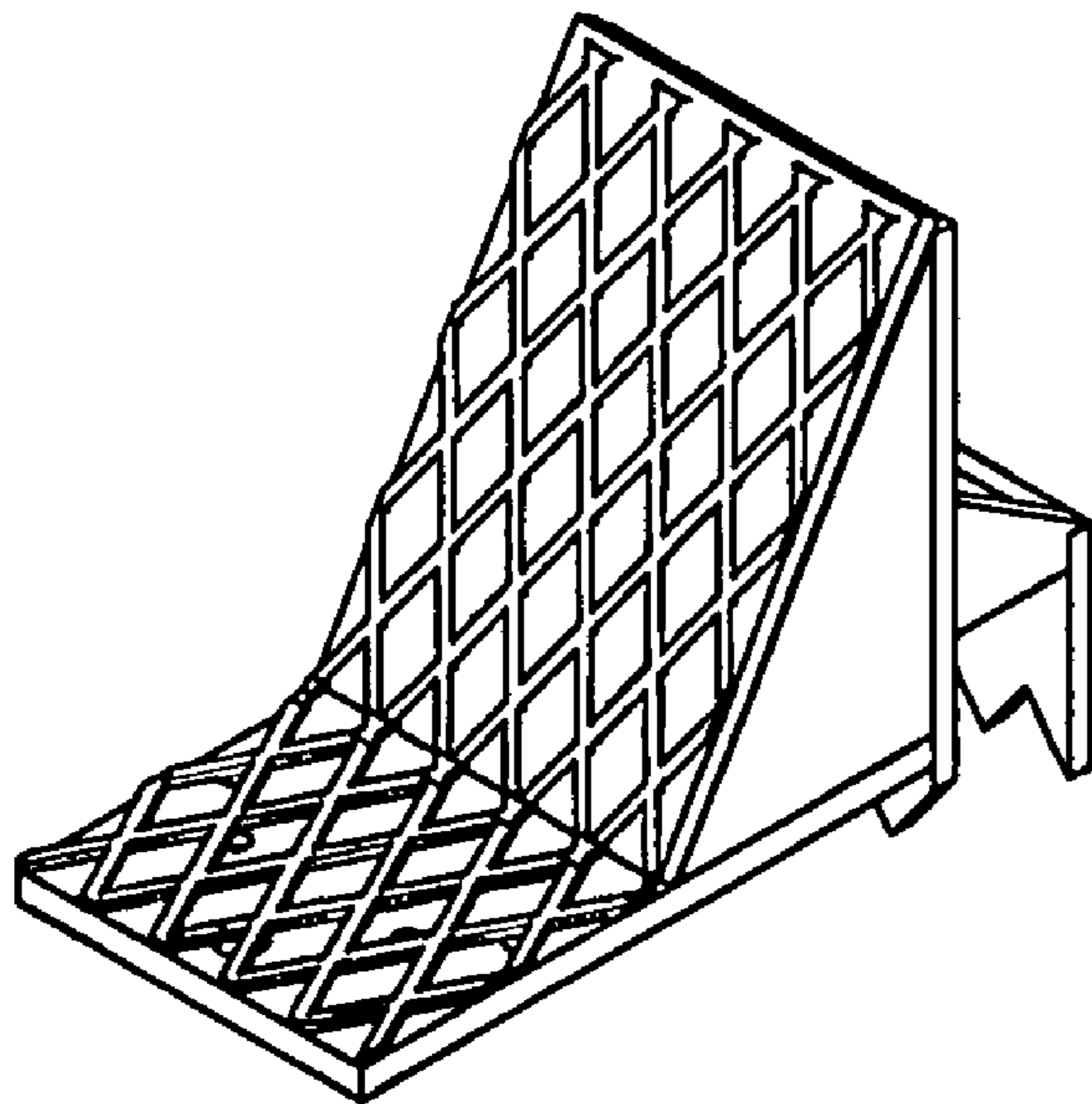
(57) **CLAIM**

The ornamental design for a wheel chock, as shown and described.

**DESCRIPTION**

FIG. 1 is a side view of a wheel chock, showing my new design, it being understood that the opposite side is a mirror image thereof;  
FIG. 2 is a top plan view thereof;  
FIG. 3 is a bottom plan view thereof;  
FIG. 4 is a front view thereof;  
FIG. 5 is a rear view thereof;  
FIG. 6 is a front perspective view thereof; and,  
FIG. 7 is a rear perspective view thereof.

**1 Claim, 1 Drawing Sheet**



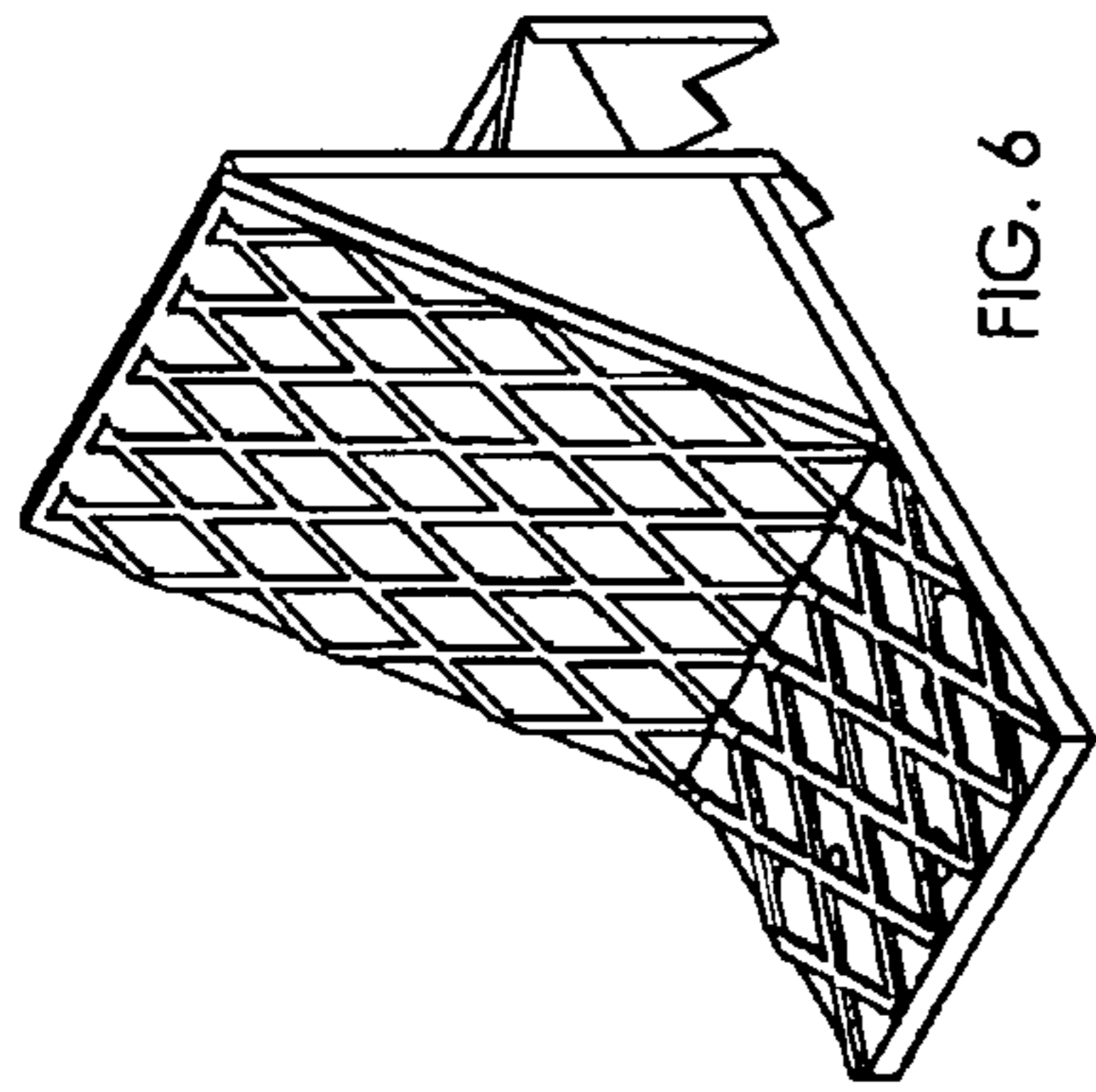


FIG. 6

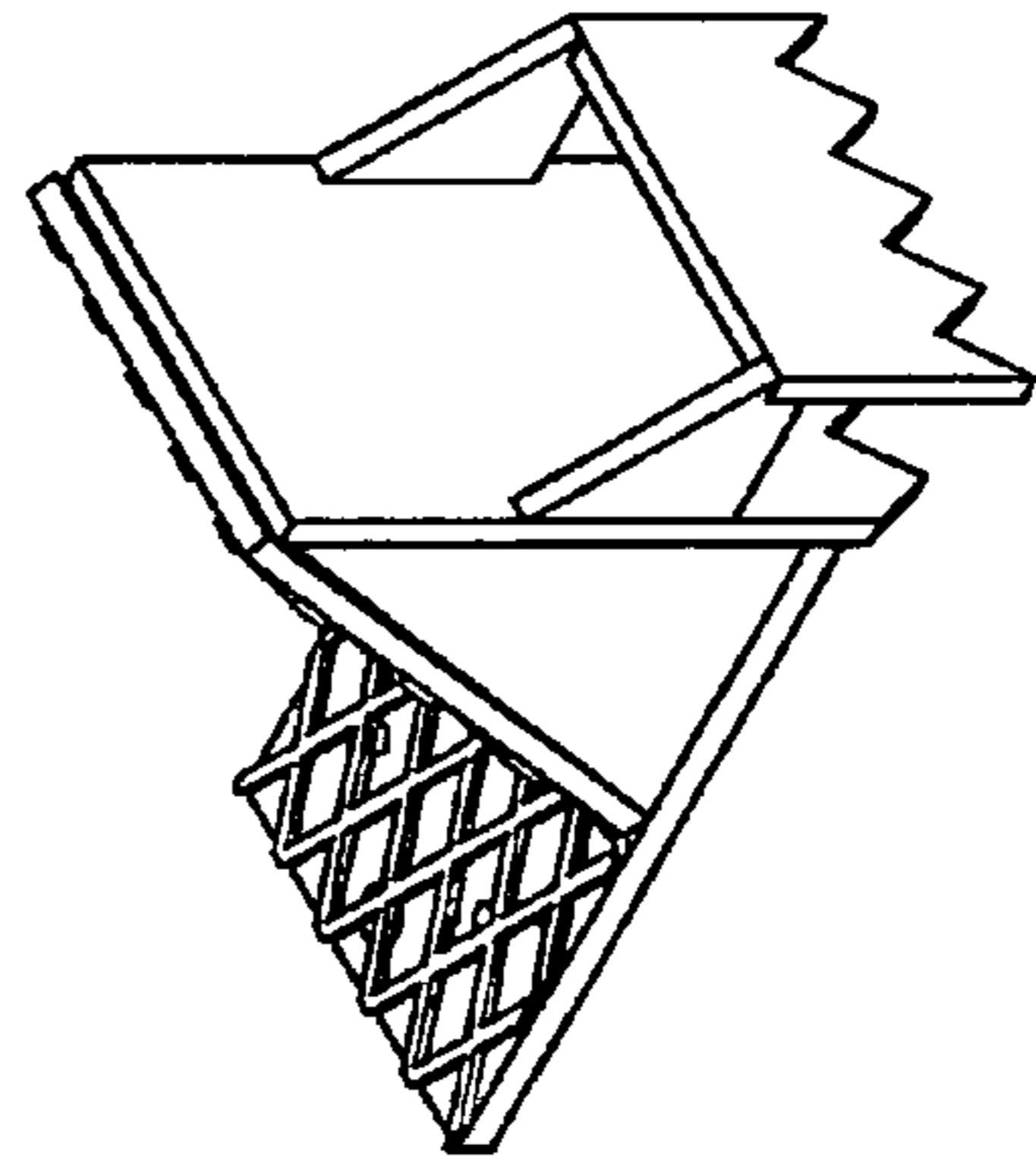


FIG. 7

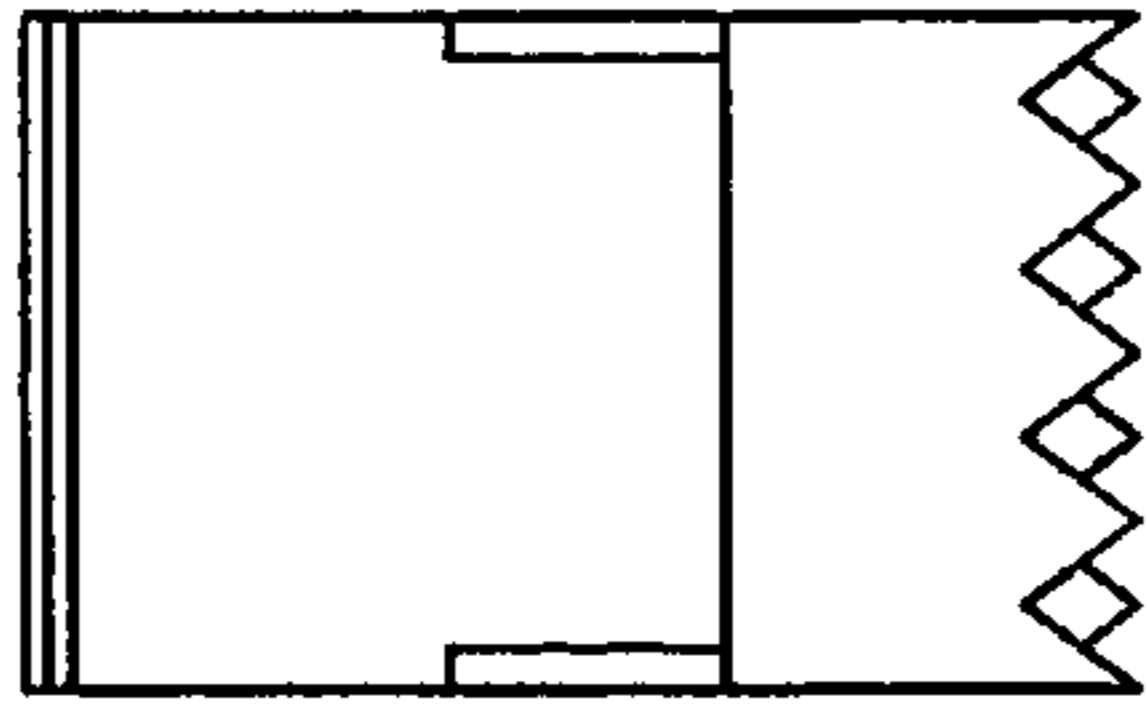


FIG. 5

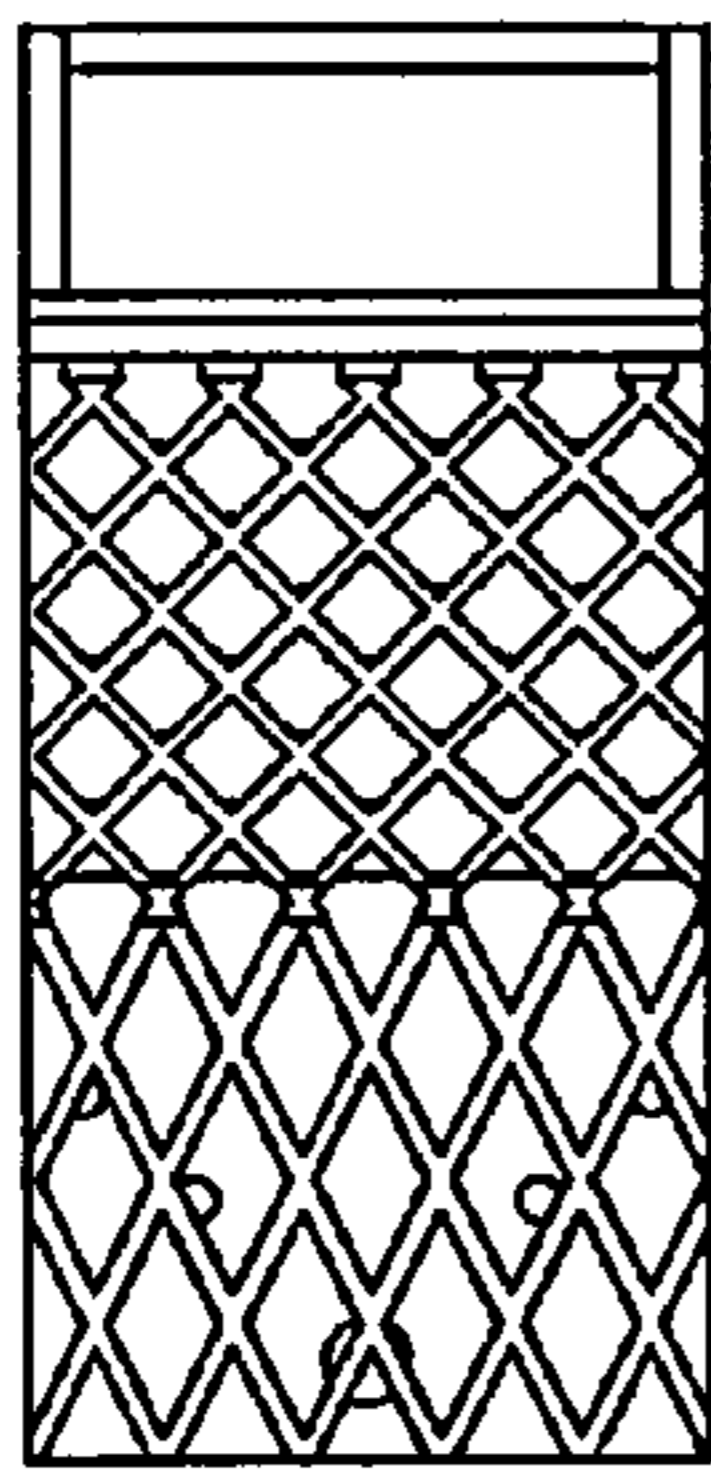


FIG. 2

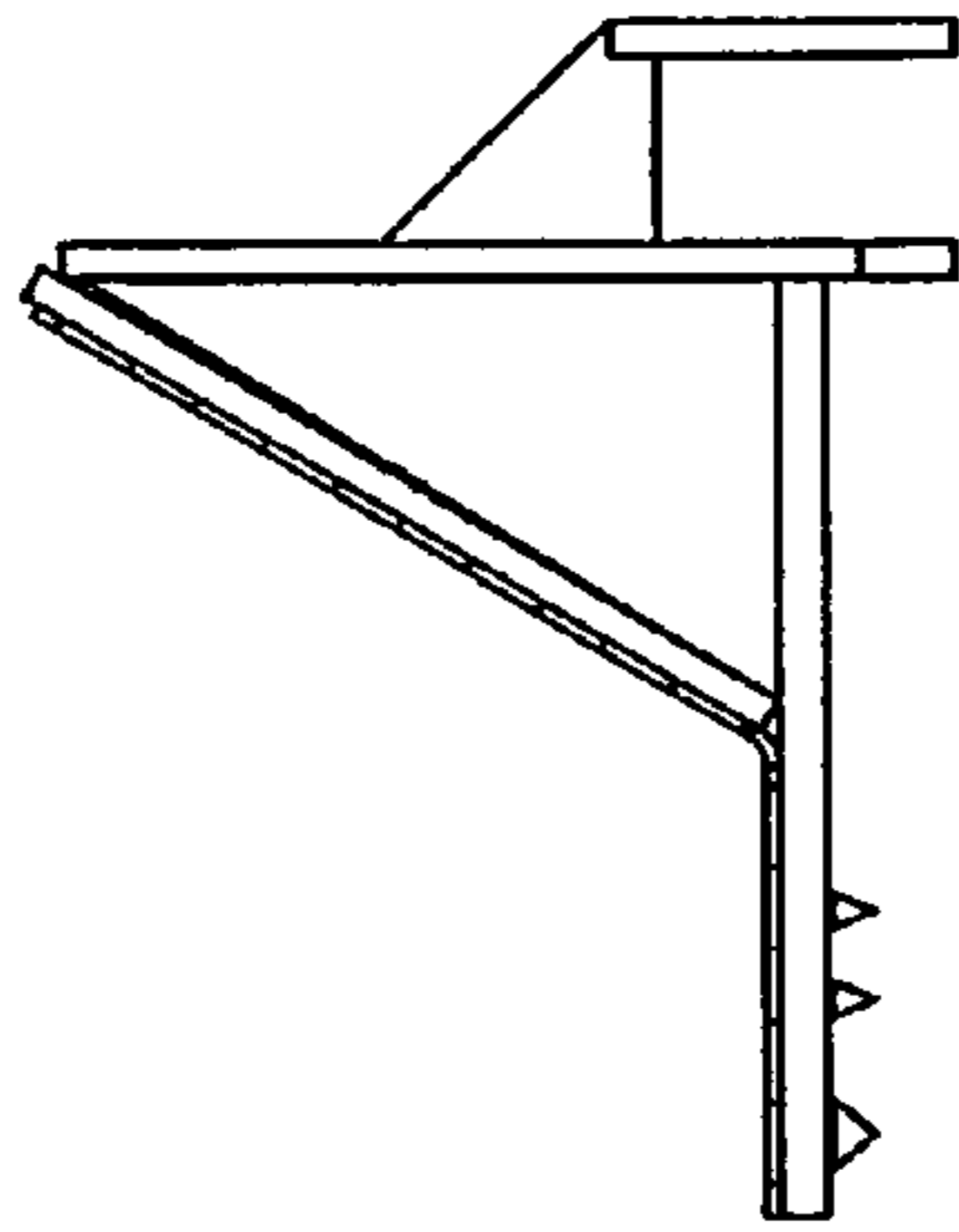


FIG. 1



FIG. 3

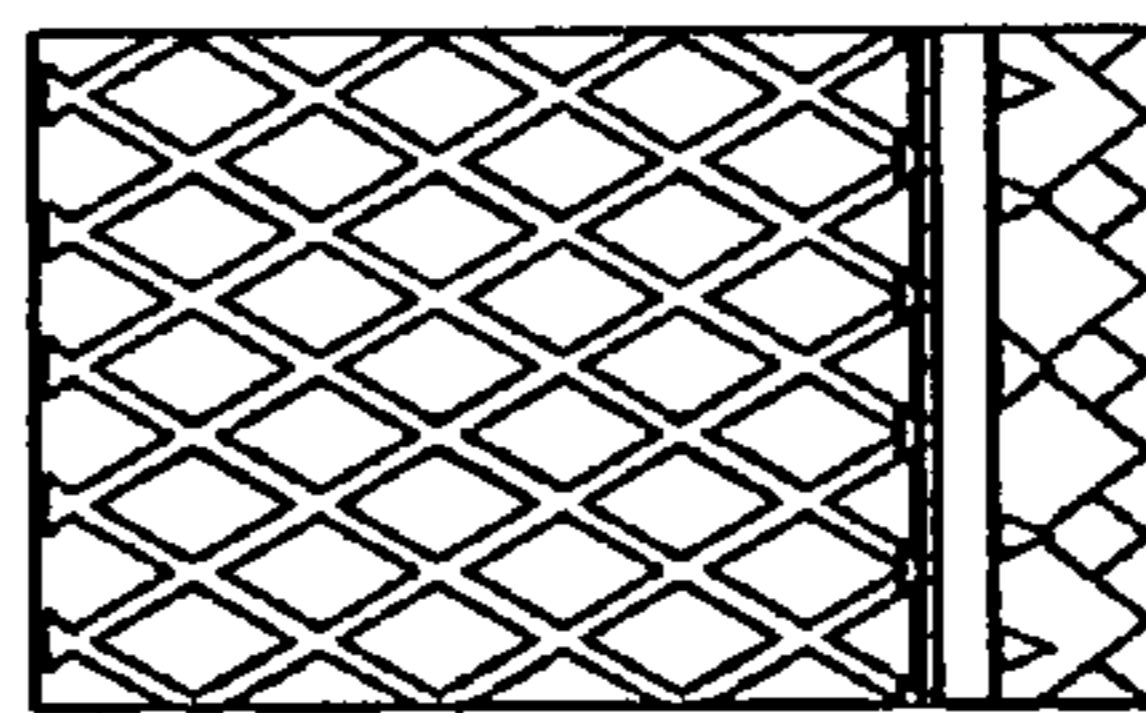


FIG. 4