



US00D720277S

(12) **United States Design Patent**
Dakin

(10) **Patent No.:** **US D720,277 S**

(45) **Date of Patent:** **** Dec. 30, 2014**

(54) **TIRE DETAILING WHEEL COVER**

(71) Applicant: **Thomas A. Dakin**, New Lenox, IL (US)

(72) Inventor: **Thomas A. Dakin**, New Lenox, IL (US)

(**) Term: **14 Years**

(21) Appl. No.: **29/501,478**

(22) Filed: **Sep. 4, 2014**

(51) **LOC (10) Cl.** **12-16**

(52) **U.S. Cl.**
USPC **D12/213**

(58) **Field of Classification Search**
CPC B60B 7/00; B60B 7/02; B60B 7/06;
B05B 15/0487
USPC D12/204, 213, 400; D7/391, 394;
118/504-505; 301/37.103, 37.104
See application file for complete search history.

(56) **References Cited**

U.S. PATENT DOCUMENTS

2,580,543	A	1/1952	Henderson	
2,627,839	A	2/1953	Hudgins et al.	
3,854,448	A	12/1974	Kromanaker	
4,811,991	A	3/1989	Moreno et al.	
4,874,206	A	10/1989	Sampson	
D305,635	S	1/1990	Pope	
4,955,670	A *	9/1990	Koller	301/37.103
D336,460	S	6/1993	Marquez	
D337,090	S	7/1993	Wilfong, III	
D340,220	S	10/1993	Rocamora et al.	
D340,439	S *	10/1993	Carbone	D12/213
5,524,972	A	6/1996	Cailor et al.	
D377,162	S	1/1997	Maynard	
D377,332	S *	1/1997	Cruz, III	D12/213
D379,171	S *	5/1997	Hope et al.	D12/213
D379,172	S *	5/1997	Hale	D12/213
D390,181	S	2/1998	Morrison	
D402,614	S *	12/1998	Martinez	D12/213

D434,714	S *	12/2000	White	D12/213
D446,763	S *	8/2001	Denison et al.	D12/213
6,585,329	B2	7/2003	Crump	
D491,874	S *	6/2004	Cook	D12/213
6,863,353	B1 *	3/2005	Buckner	301/37.103
6,871,914	B2 *	3/2005	Stewart, Jr.	301/37.104
D504,652	S *	5/2005	Woodberry	D12/213
D515,005	S *	2/2006	Oatis	D12/213
D528,963	S *	9/2006	Horn	D12/213
D537,401	S *	2/2007	Jones	D12/213
D540,242	S *	4/2007	Holguin	D12/213
D565,491	S *	4/2008	Scott	D12/213
D569,324	S *	5/2008	Gosnell et al.	D12/213
D596,554	S *	7/2009	Thompson	D12/213
7,597,403	B1 *	10/2009	Henry	301/37.103
7,997,662	B1 *	8/2011	Babineaux, Sr.	301/37.103
D659,629	S *	5/2012	Williams et al.	D12/213
D668,201	S *	10/2012	Zumhof	D12/213
D683,690	S *	6/2013	Zumhof	D12/213

* cited by examiner

Primary Examiner — Stacia Cadmus

(74) *Attorney, Agent, or Firm* — Robert C. Montgomery;
Montgomery Patent & Design

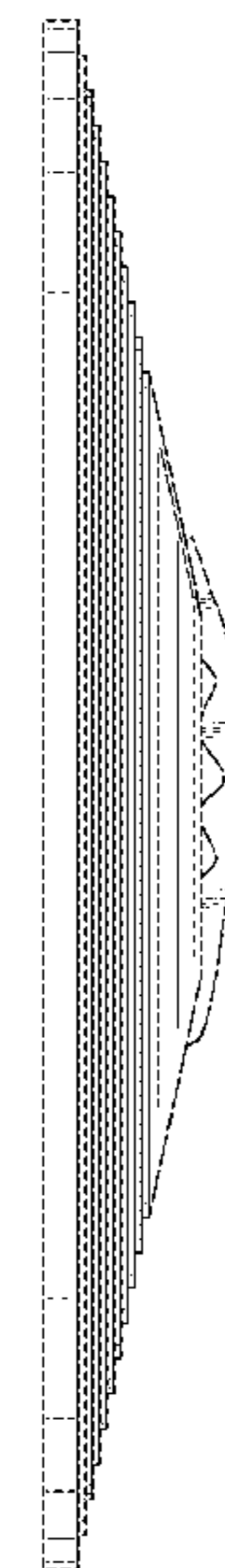
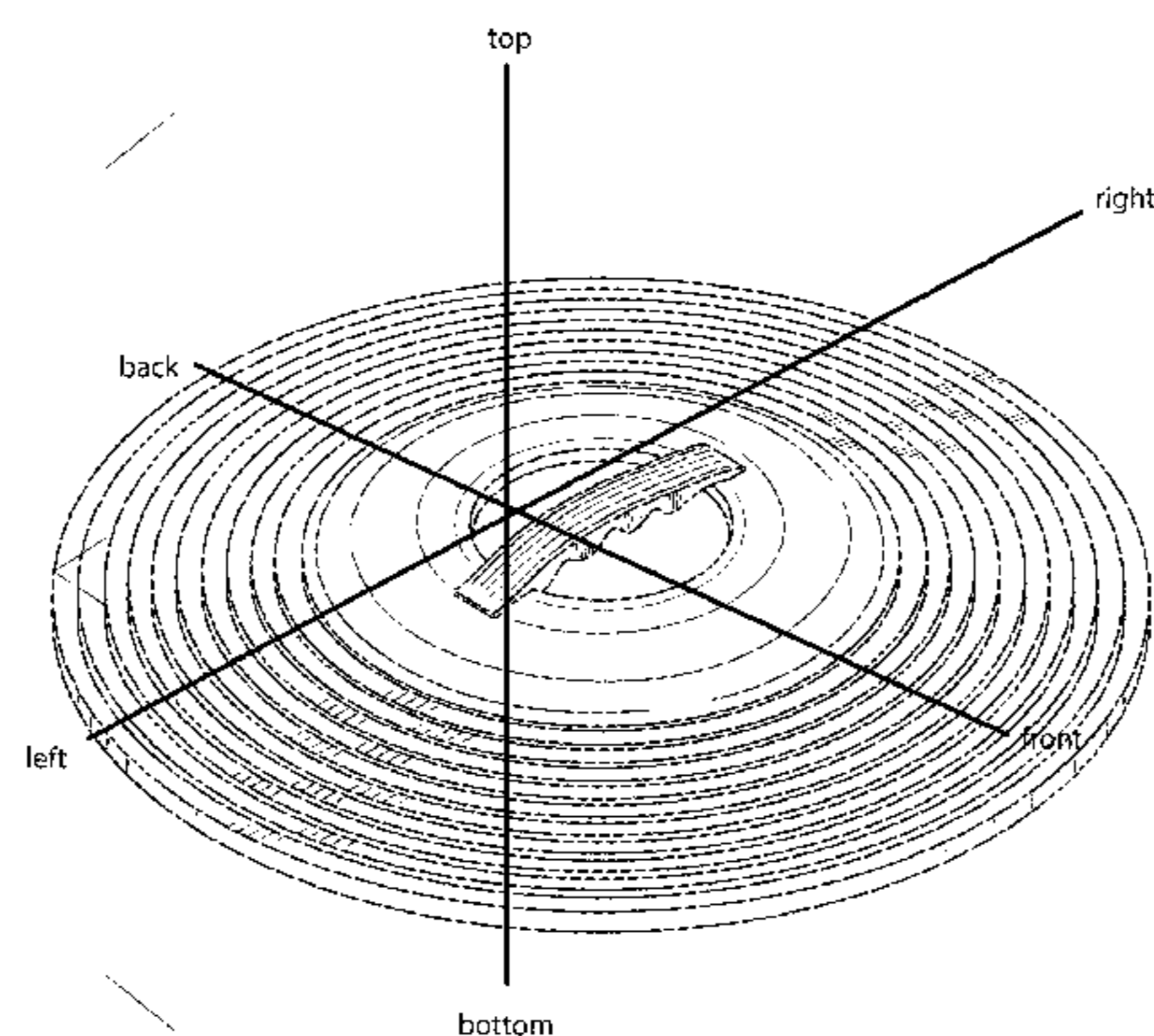
(57) **CLAIM**

The ornamental design for tire detailing wheel cover, as shown and described.

DESCRIPTION

FIG. 1 is a perspective top view of the tire detailing wheel cover, showing my new design;
FIG. 2 is a top view thereof;
FIG. 3 is a bottom view thereof;
FIG. 4 is side view, the opposing side view is a mirror image thereof; and,
FIG. 5 is a front view the opposing side view is a mirror image thereof.
The surface shading of the tire detailing wheel cover shown in FIGS. 1 through 5 illustrates a smooth surface texture.

1 Claim, 5 Drawing Sheets



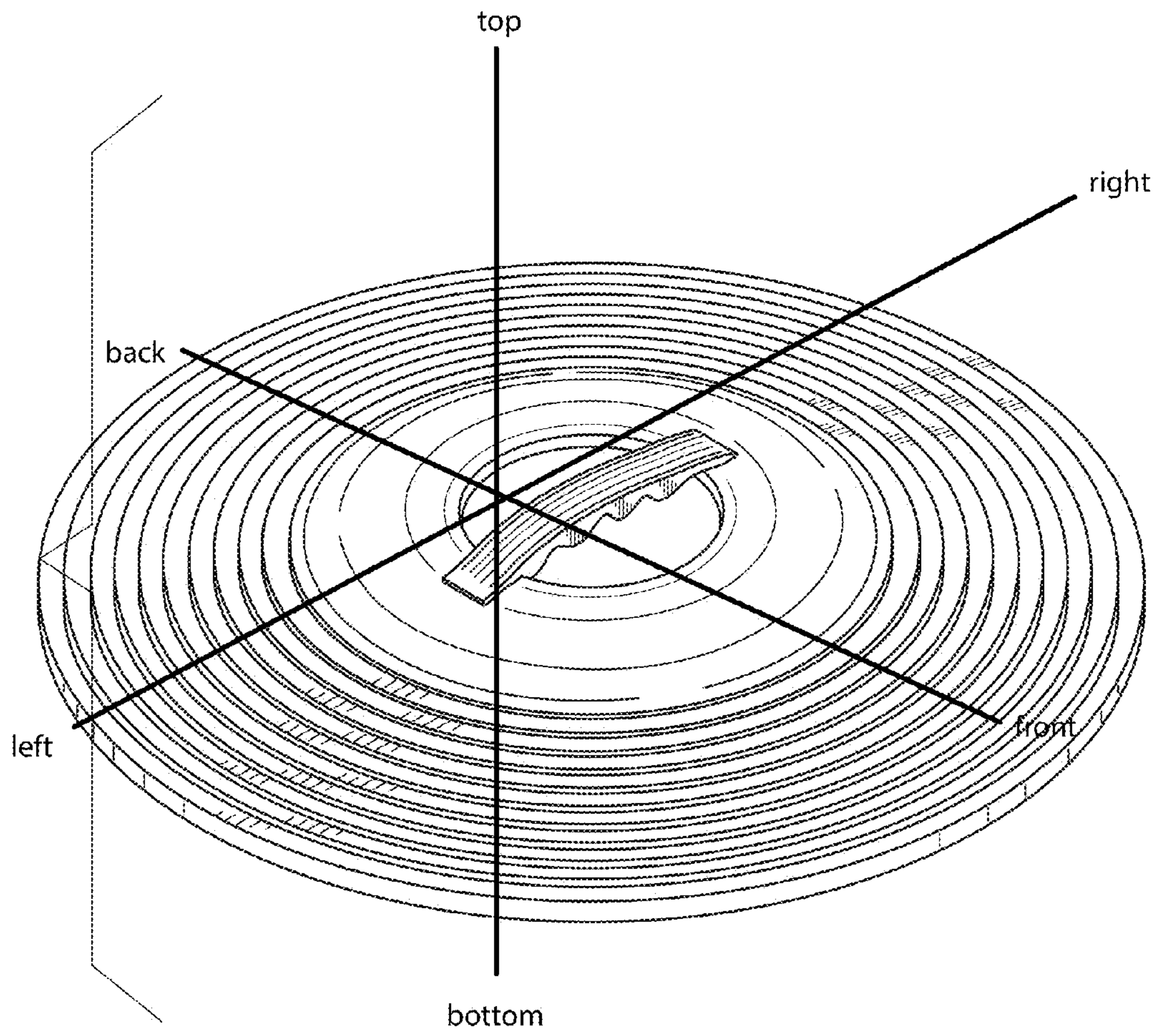


Fig. 1

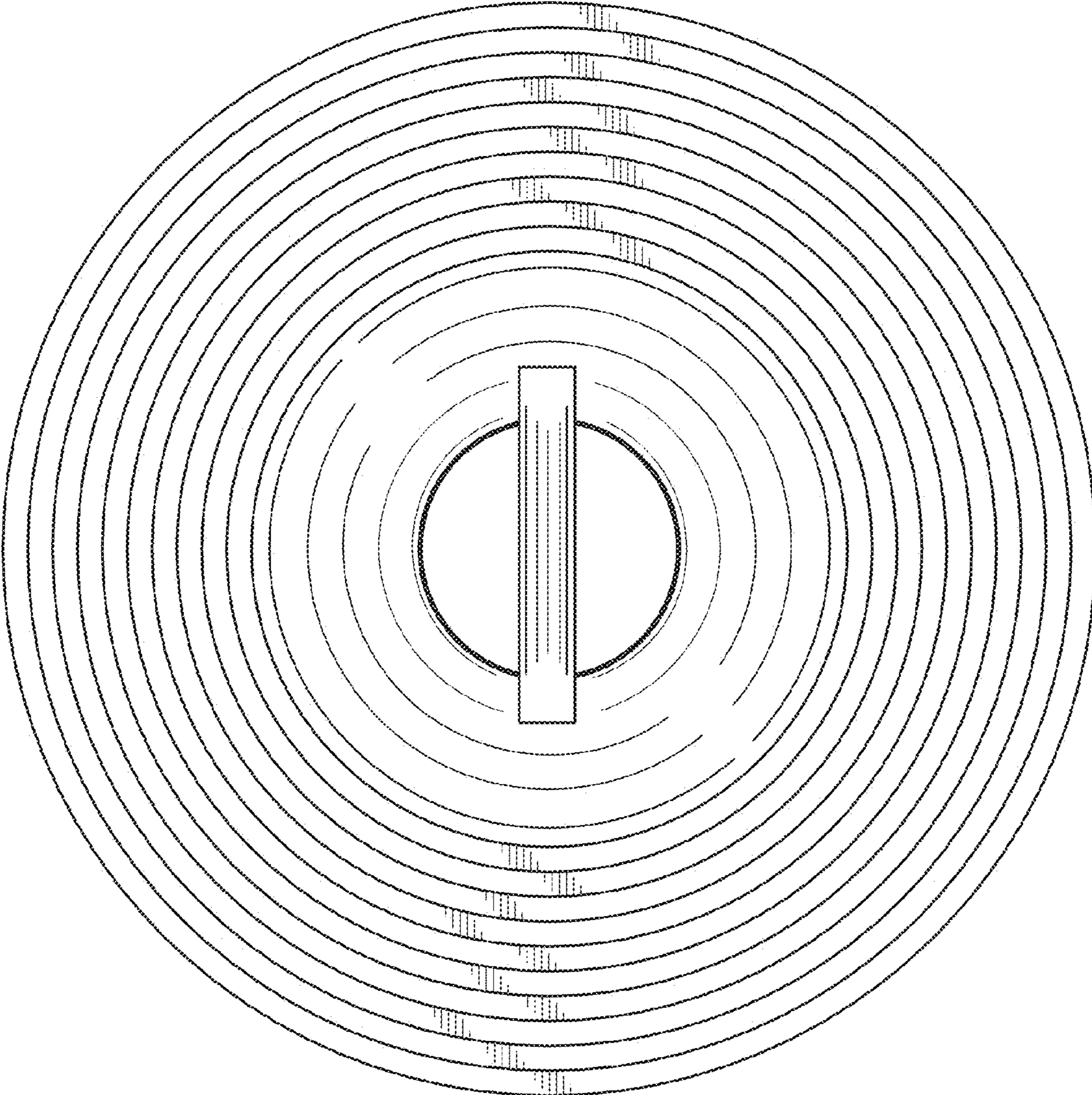


Fig. 2

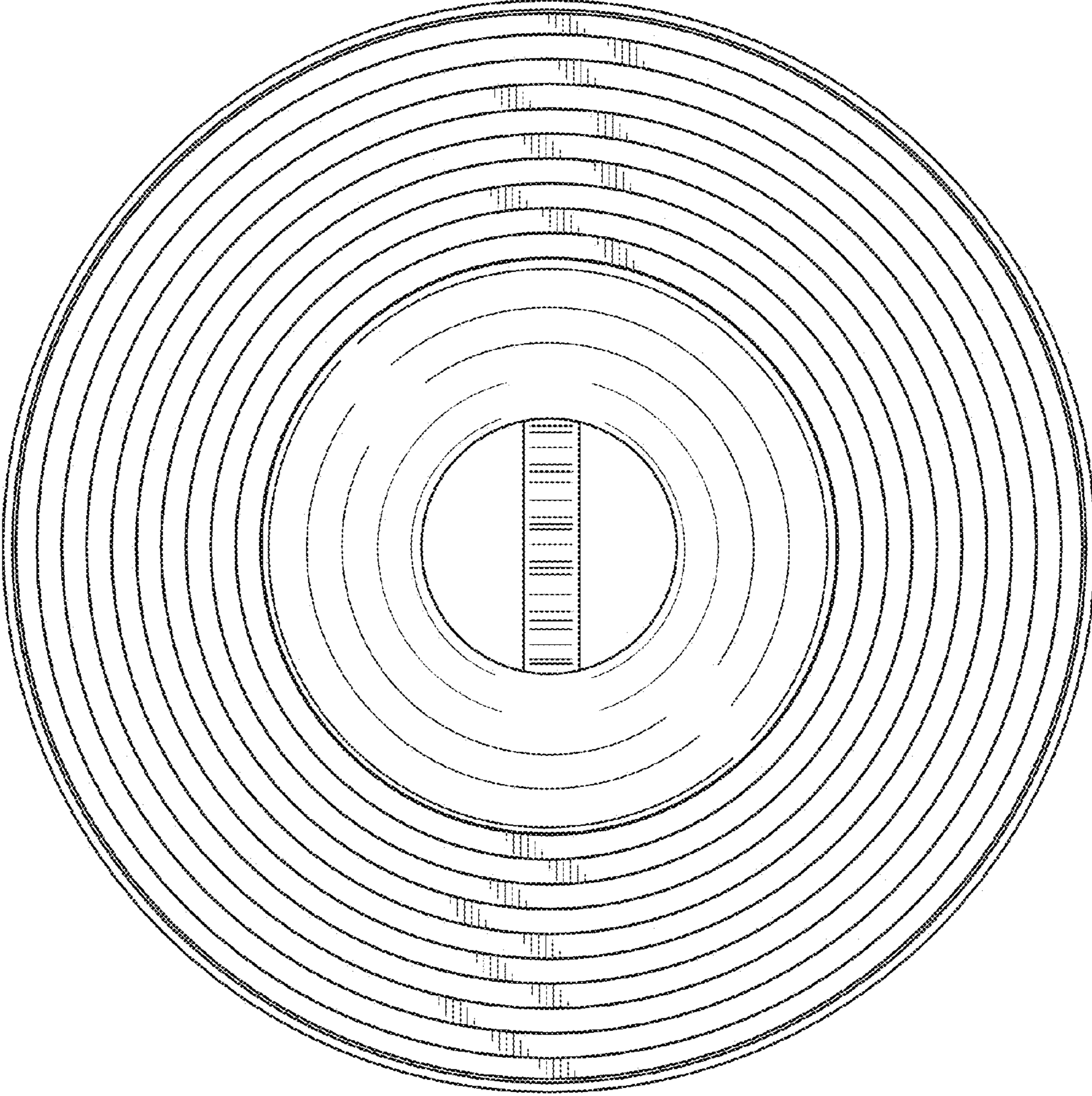


Fig. 3

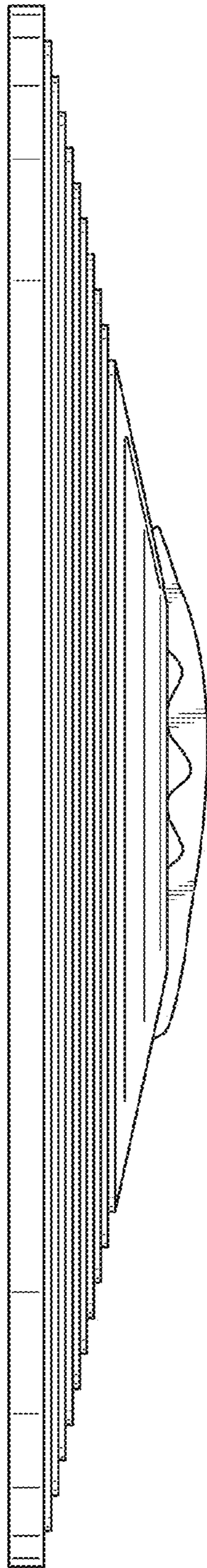


Fig. 4

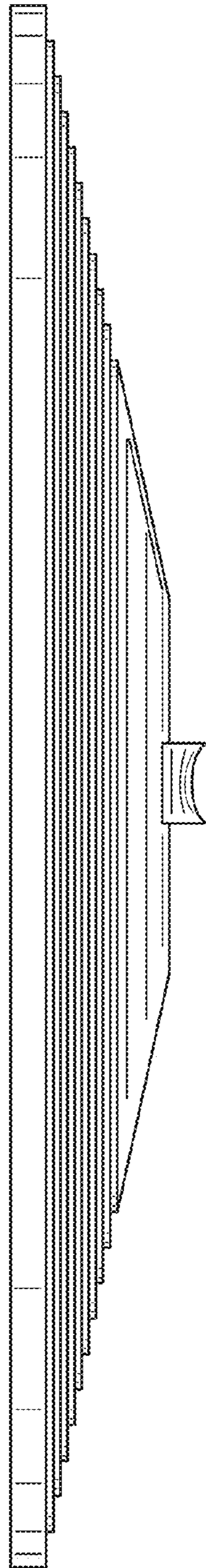


Fig. 5