



US00D720276S

(12) **United States Design Patent**
Morgenstern

(10) **Patent No.:** **US D720,276 S**

(45) **Date of Patent:** **** Dec. 30, 2014**

(54) **VEHICLE WHEEL**

(71) Applicant: **Bayerische Motoren Werke
Aktiengesellschaft, Munich (DE)**

(72) Inventor: **Sebastian Morgenstern, Munich (DE)**

(73) Assignee: **Bayerische Motoren Werke
Aktiengesellschaft, Munich (DE)**

(**) Term: **14 Years**

(21) Appl. No.: **29/490,366**

(22) Filed: **May 9, 2014**

(30) **Foreign Application Priority Data**

Nov. 12, 2013 (DE) 40 2013 101 111

(51) **LOC (10) Cl.** **12-16**

(52) **U.S. Cl.**
USPC **D12/211**

(58) **Field of Classification Search**
CPC B60B 7/00; B60B 7/02; B60B 7/04;
B60B 7/01; B60B 7/06; B60B 3/02; B60B
3/04; B60B 3/06; B60B 3/10; B60B 1/00;
B60B 1/08; B60B 1/10; B60B 1/12
USPC D12/204-213
See application file for complete search history.

(56) **References Cited**

U.S. PATENT DOCUMENTS

D402,951 S 12/1998 Wechner
D456,333 S 4/2002 Pollmann
D499,685 S 12/2004 Schaefers
D583,742 S * 12/2008 Juergens et al. D12/211
D620,870 S * 8/2010 Powell D12/211
D621,770 S 8/2010 Pollmann
D628,136 S * 11/2010 Leclercq D12/211
D635,499 S 4/2011 Nissl
D639,227 S * 6/2011 Leclercq D12/211
D658,107 S * 4/2012 Pollmann et al. D12/211

D663,670 S 7/2012 Juergens et al.
D670,636 S * 11/2012 Juergens et al. D12/211
D673,492 S * 1/2013 Muller D12/209
D681,540 S * 5/2013 Zhao D12/211
D683,685 S * 6/2013 Pollmann D12/211
D686,964 S 7/2013 Baum et al.
D695,198 S * 12/2013 Juergens et al. D12/211
D695,668 S 12/2013 Juergens et al.
D696,177 S * 12/2013 Juergens et al. D12/209
D697,011 S * 1/2014 Kang D12/209
D697,017 S * 1/2014 Holstein D12/211
D698,297 S * 1/2014 Chung D12/209
D706,698 S * 6/2014 Zhao D12/211

FOREIGN PATENT DOCUMENTS

EM 000106513-0004 12/2004
EM 001658154-0002 5/2010
EM 001754953-0004 1/2011
EM 002156554-0003 1/2013
EM 001908807-0007 9/2013
WO DM/042080 11/1997
WO DM/056821 9/2001

* cited by examiner

Primary Examiner — Stacia Cadmus

(74) *Attorney, Agent, or Firm* — Crowell & Moring LLP

(57) **CLAIM**

The ornamental design for a vehicle wheel, as shown and described.

DESCRIPTION

FIG. 1 is a perspective view of a vehicle wheel according to the design;

FIG. 2 is an additional perspective view thereof;

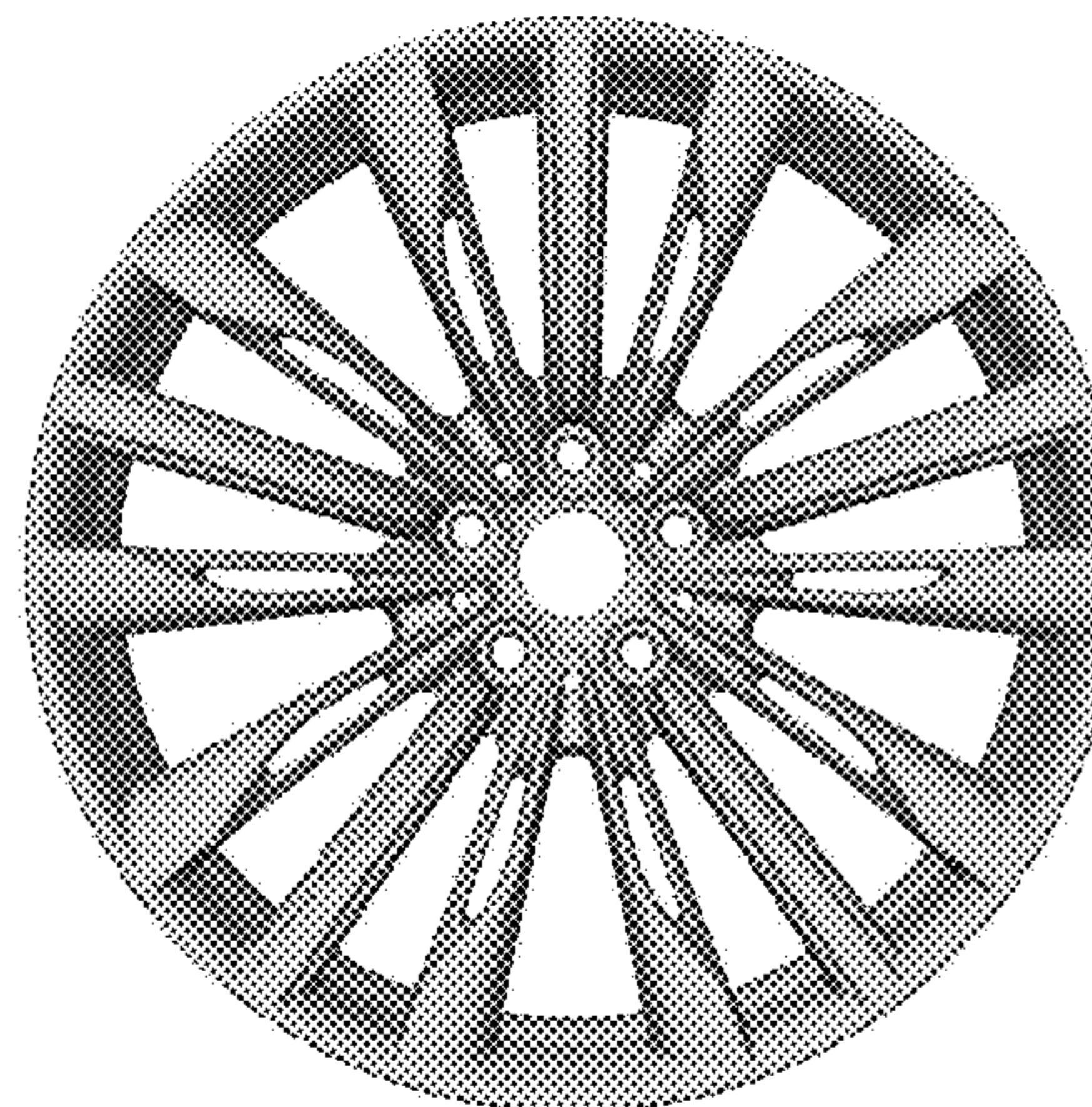
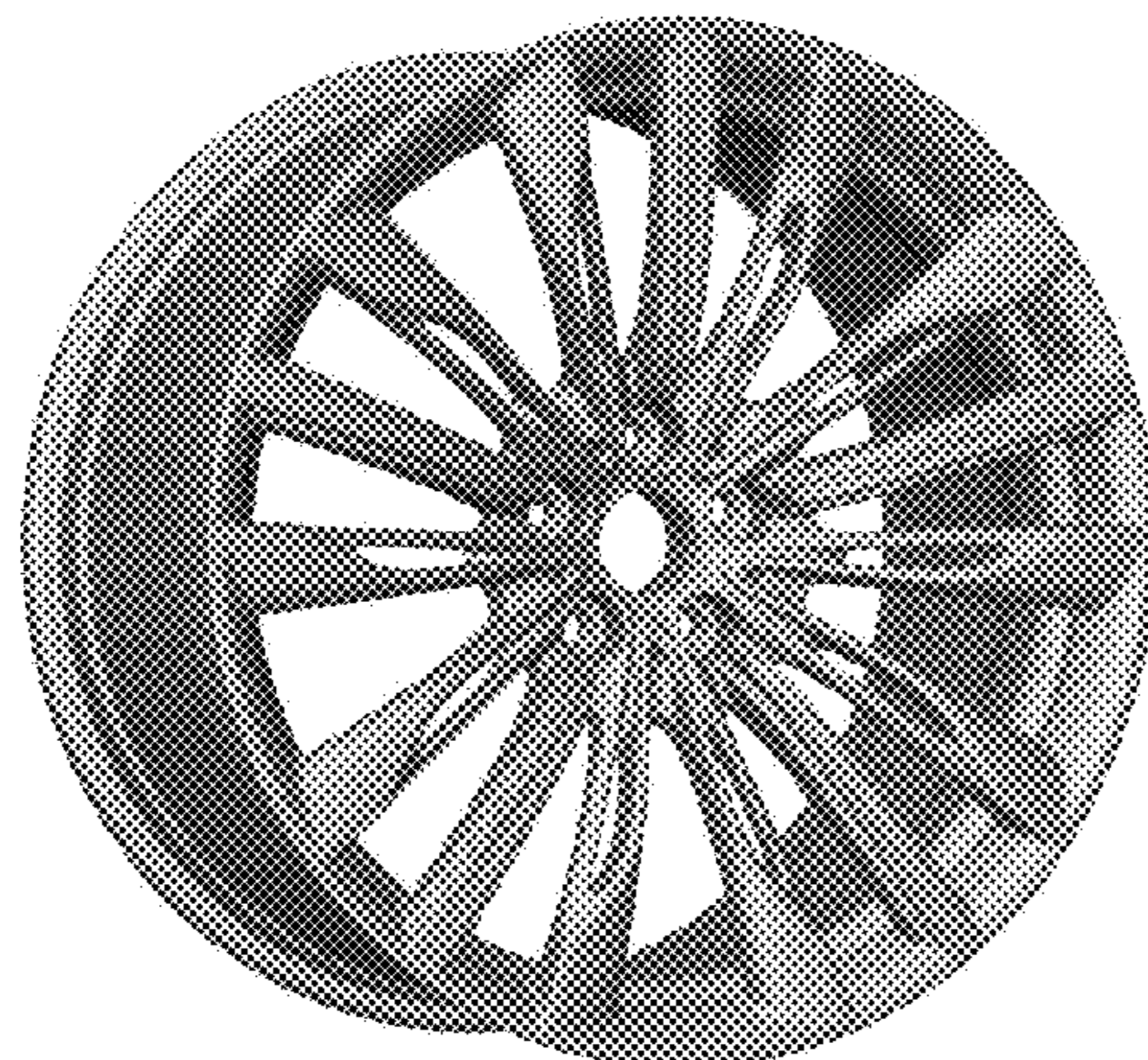
FIG. 3 is an additional perspective view thereof;

FIG. 4 is a front view thereof;

FIG. 5 is a rear view thereof in a lighter gray scale, representing environmental features that form no part of the claimed design; and,

FIG. 6 is a side view thereof.

1 Claim, 6 Drawing Sheets



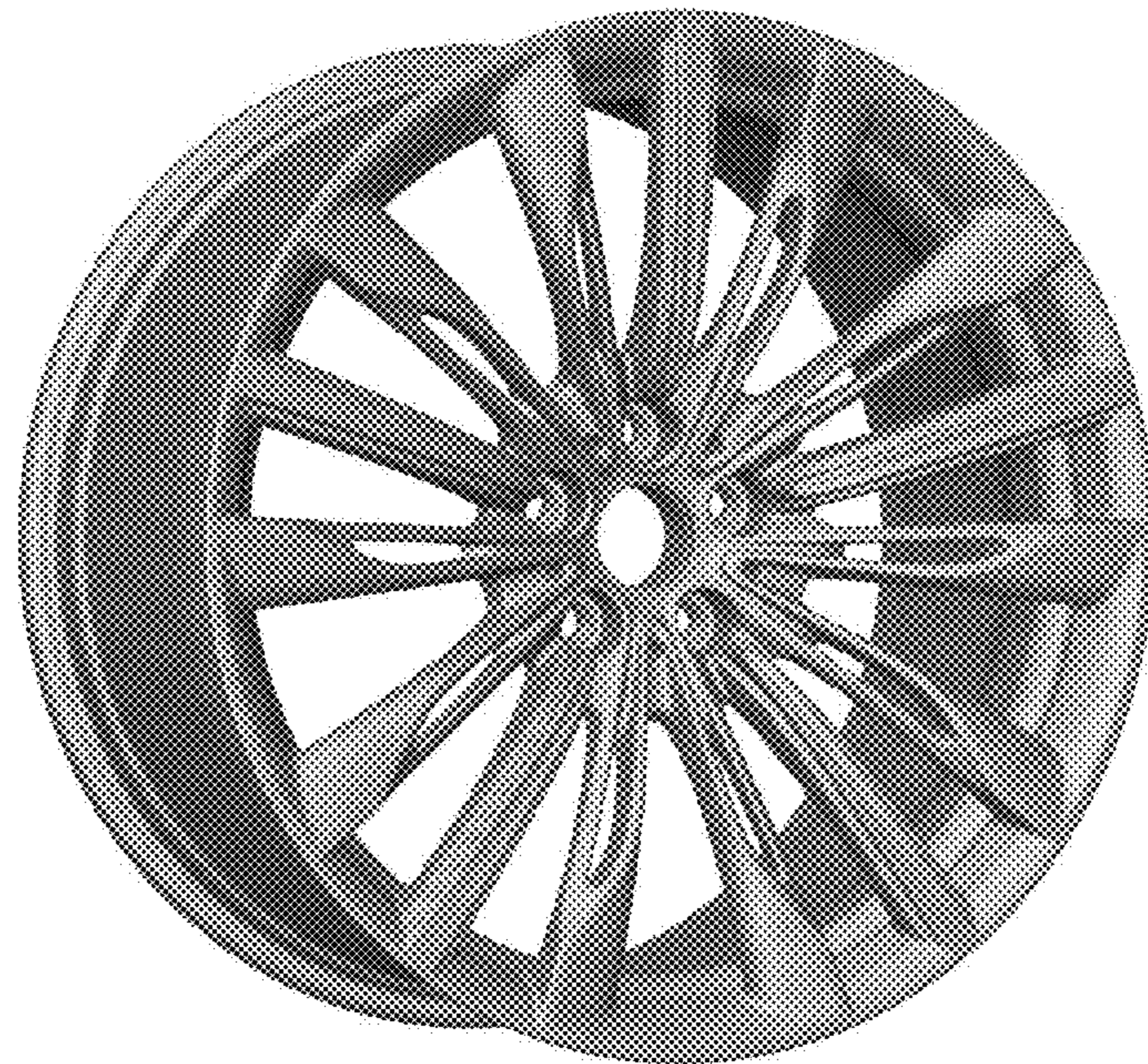


Fig. 1



Fig. 2



Fig. 3



Fig. 4

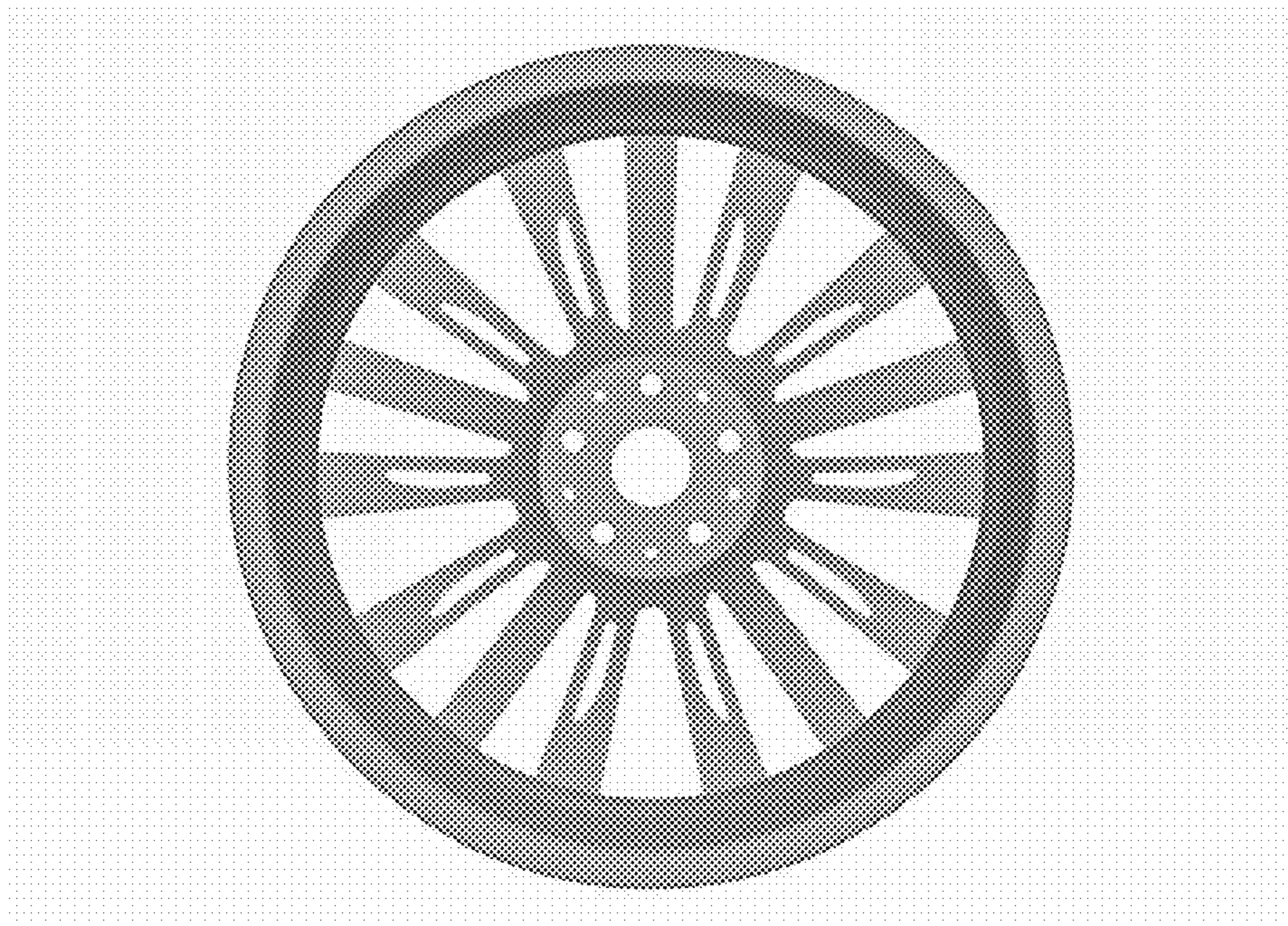


Fig. 5

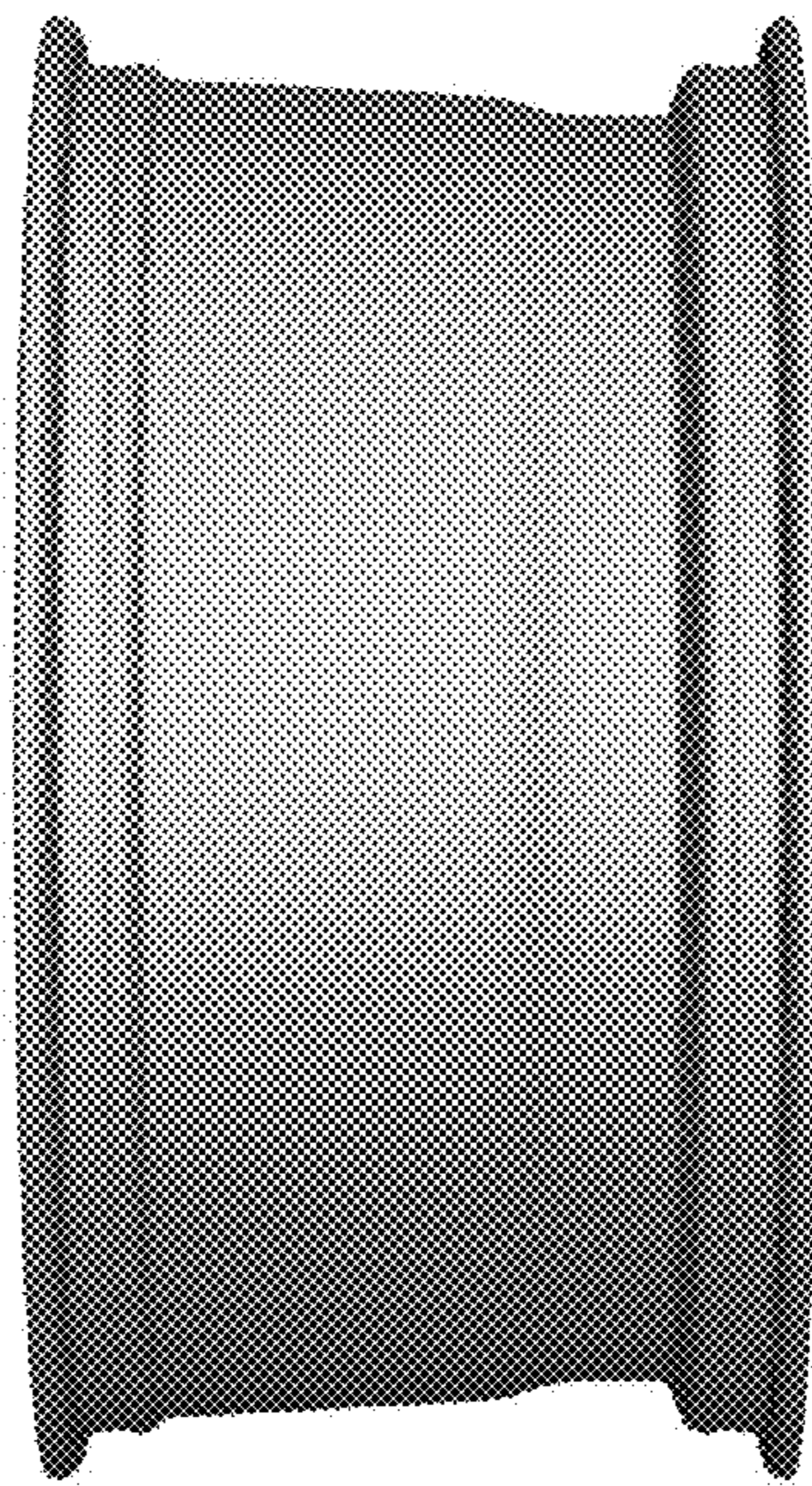


Fig. 6