



US00D720262S

(12) **United States Design Patent**  
**Won**

(10) **Patent No.:** **US D720,262 S**

(45) **Date of Patent:** **\*\* Dec. 30, 2014**

(54) **RADIATOR GRILLE FOR A VEHICLE**

(56) **References Cited**

(71) Applicant: **GM Global Technology Operations, LLC, Detroit, MI (US)**

U.S. PATENT DOCUMENTS

(72) Inventor: **Jong-chul Won, Seoul (KR)**

6,328,358	B1 *	12/2001	Berweiler	293/115
7,152,915	B2 *	12/2006	Diehl et al.	296/193.1
D535,224	S *	1/2007	Kubota et al.	D12/163
D536,284	S *	2/2007	Nakamura et al.	D12/163
D538,716	S *	3/2007	Hogios	D12/163
D557,184	S *	12/2007	Janik	D12/163
7,311,352	B2 *	12/2007	Flotzinger	296/193.1
D573,924	S *	7/2008	Tachibana	D12/163
D598,819	S *	8/2009	Kim	D12/163
D651,142	S *	12/2011	Fushimi	D12/163
8,157,303	B2 *	4/2012	Fortin	293/115
D668,590	S *	10/2012	Furst et al.	D12/163
D670,620	S *	11/2012	Frei et al.	D12/163

(73) Assignee: **GM Global Technology Operations, LLC, Detroit, MI (US)**

(\*\*) Term: **14 Years**

(21) Appl. No.: **29/448,192**

\* cited by examiner

(22) Filed: **Mar. 11, 2013**

*Primary Examiner* — Philip S Hyder

*Assistant Examiner* — Darlington Ly

(30) **Foreign Application Priority Data**

(74) *Attorney, Agent, or Firm* — Jansson Munger McKinley & Shape Ltd.

Nov. 1, 2012 (KR) ..... 30-2012-0052094

(51) **LOC (10) Cl.** ..... **12-16**

(57) **CLAIM**

The ornamental design for a radiator grille for a vehicle, as shown and described.

(52) **U.S. Cl.**

**DESCRIPTION**

USPC ..... **D12/163**

(58) **Field of Classification Search**

CPC ..... B63B 3/66; B60H 1/34; B60H 1/248;  
B60H 1/262; B60K 13/02; B60K 13/005;  
B60K 19/52; B60K 2019/525; F24F 13/20;  
F24F 13/082

USPC ..... D12/86, 90, 91, 92, 163, 169, 196, 171,  
D12/216; 180/68.1, 68.6; 296/193.11

FIG. 1 is a perspective view of the radiator grille for a vehicle of the present design;  
FIG. 2 is a front elevation view thereof;  
FIG. 3 is a rear elevation view thereof;  
FIG. 4 is a left side elevation view thereof;  
FIG. 5 is a right side elevation view thereof;  
FIG. 6 is a top plan view thereof; and,  
FIG. 7 is a bottom plan view thereof.

See application file for complete search history.

**1 Claim, 7 Drawing Sheets**







FIG. 1



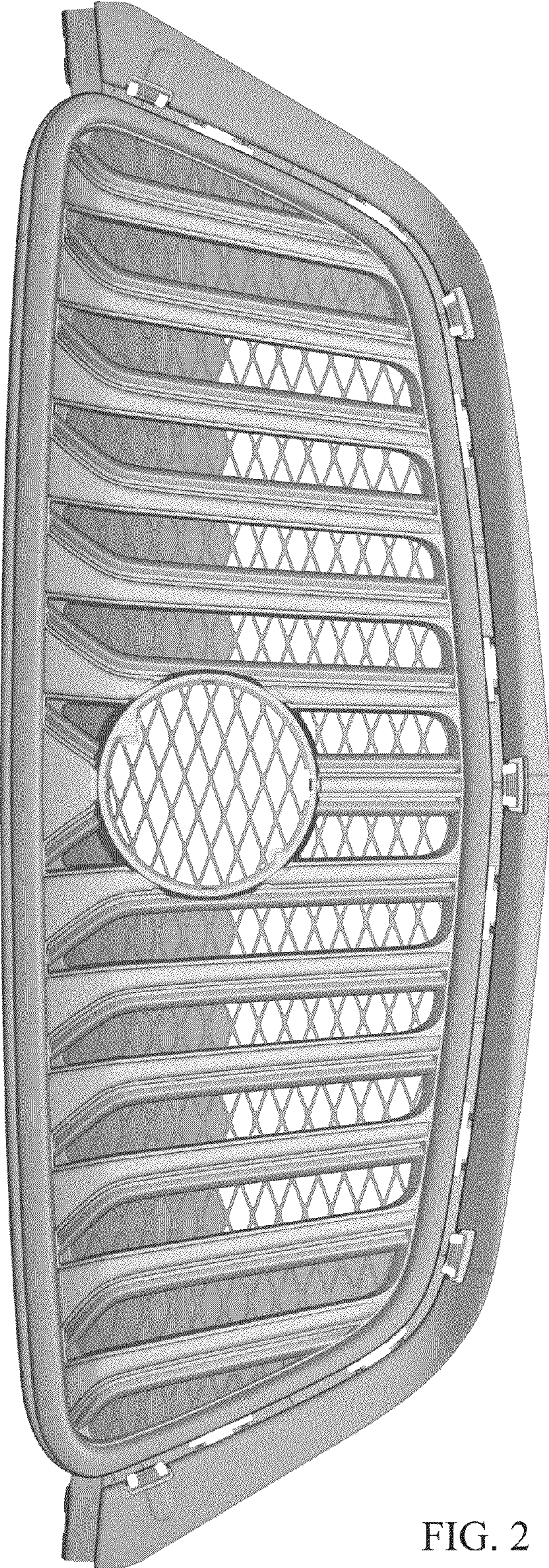


FIG. 2



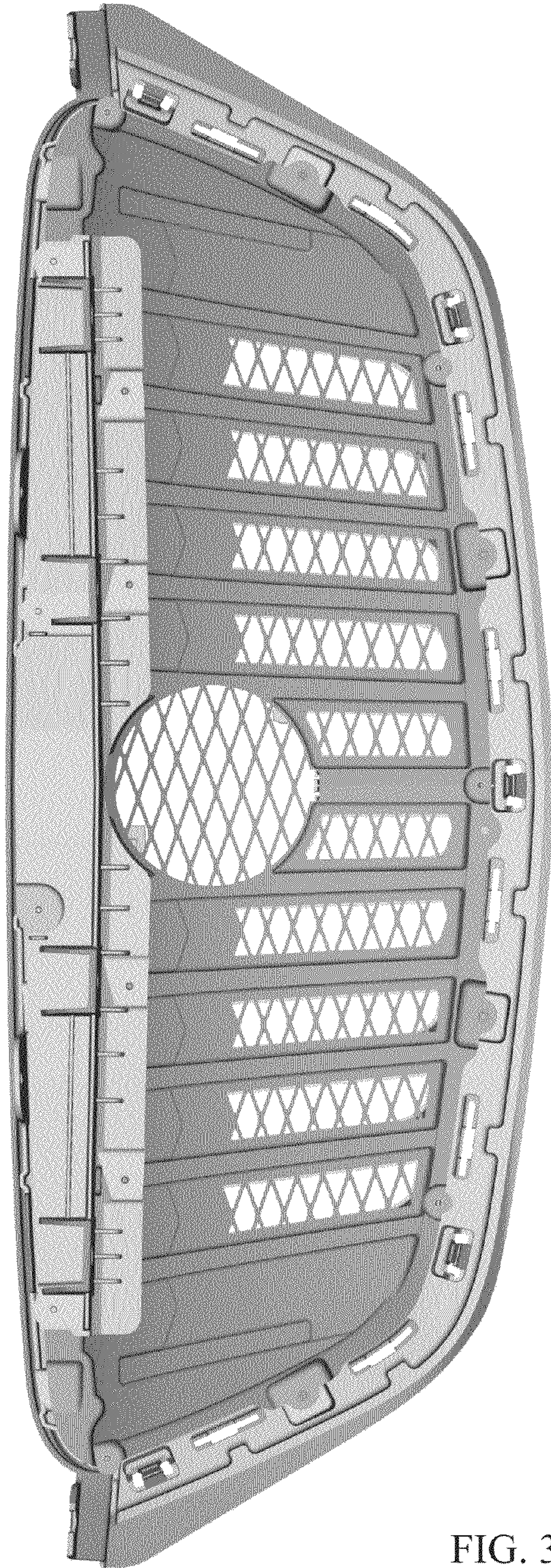


FIG. 3





FIG. 4





FIG. 5



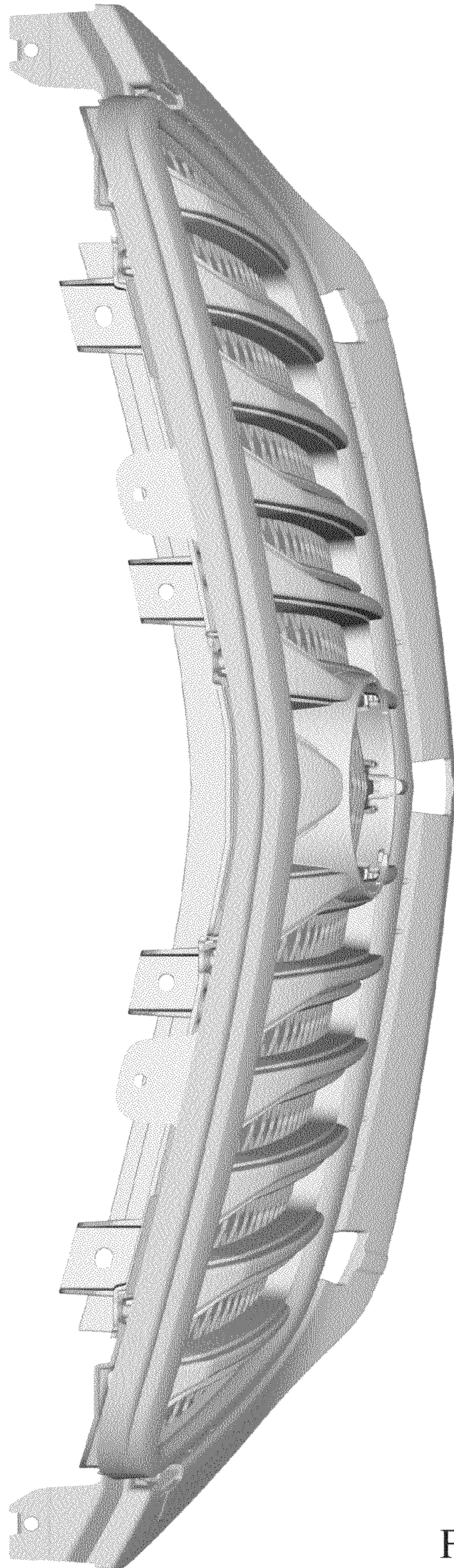


FIG. 6



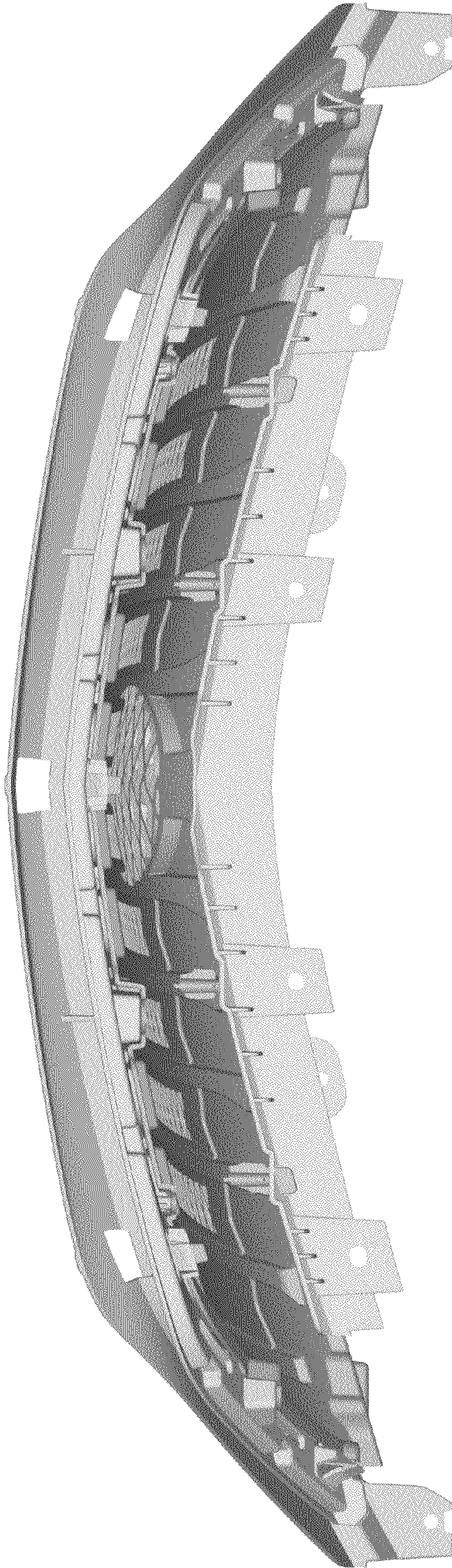


FIG. 7