



US00D720261S

(12) **United States Design Patent**
Mascull et al.

(10) **Patent No.:** **US D720,261 S**
(45) **Date of Patent:** **** Dec. 30, 2014**

(54) **SEAT**

(56) **References Cited**

(71) Applicants: **Graham John Mascull**, Ambleside
(AU); **Anil Raman Patel**, Great Barr
(GB)

(72) Inventors: **Graham John Mascull**, Ambleside
(AU); **Anil Raman Patel**, Great Barr
(GB)

(**) Term: **14 Years**

(21) Appl. No.: **29/446,480**

(22) Filed: **Feb. 25, 2013**

(30) **Foreign Application Priority Data**

Aug. 27, 2012 (NZ) 416648

(51) **LOC (10) Cl.** **12-12**

(52) **U.S. Cl.**
USPC **D12/128**

(58) **Field of Classification Search**
USPC D12/128-133; 280/62, 647-650, 29,
280/200, 47.38, 250.1, 259, 642, 658,
280/304.1; 128/99.1, 100.1, 102.1, 876,
128/877

See application file for complete search history.

U.S. PATENT DOCUMENTS

D356,527	S	*	3/1995	Wohnsen et al.	D12/128
5,447,356	A	*	9/1995	Snijders	297/284.3
D368,881	S	*	4/1996	Coombes et al.	D12/128
6,032,975	A	*	3/2000	Hanson et al.	280/647
6,378,947	B1	*	4/2002	Barber et al.	297/452.25
D475,952	S	*	6/2003	Nelson et al.	D12/131
6,682,143	B2	*	1/2004	Amirault et al.	297/250.1
7,036,512	B2	*	5/2006	Harnois	128/845
D549,345	S	*	8/2007	Mascull	D24/183
D598,680	S	*	8/2009	Birk	D6/500

* cited by examiner

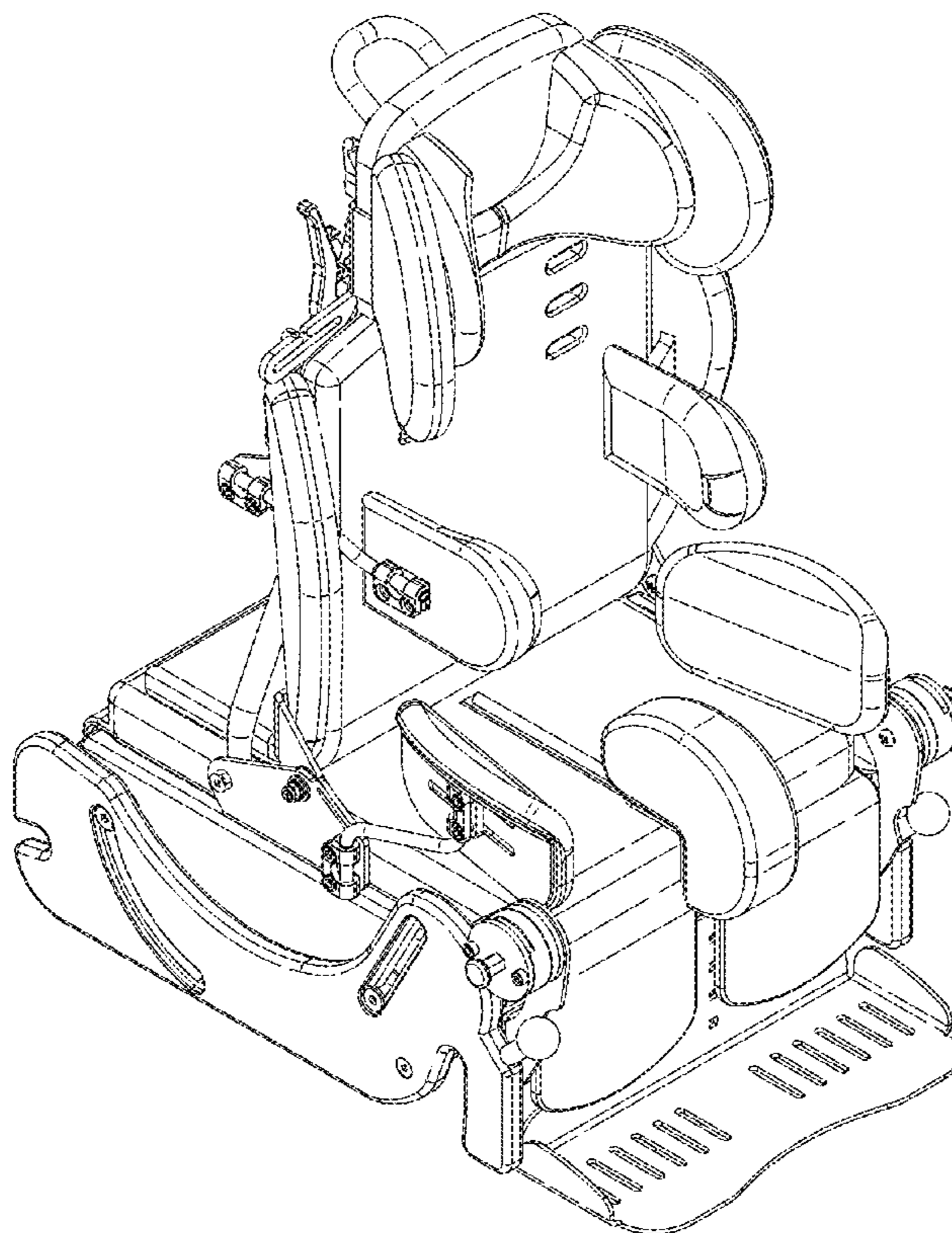
Primary Examiner — Ian Simmons
Assistant Examiner — Charles Hanson

(57) **CLAIM**
The ornamental design for a seat, as shown and described.

DESCRIPTION

FIG. 1. is a front isometric view of the seat;
FIG. 2. is a back isometric view of the seat;
FIG. 3. is a front view of the seat;
FIG. 4. is a rear view of the seat;
FIG. 5. is a side view of the seat;
FIG. 6. is an opposite side view of the seat;
FIG. 7. is a top view of the seat; and,
FIG. 8. is a bottom view of the seat.
The broken line showing forms no part of the claimed design.

1 Claim, 8 Drawing Sheets



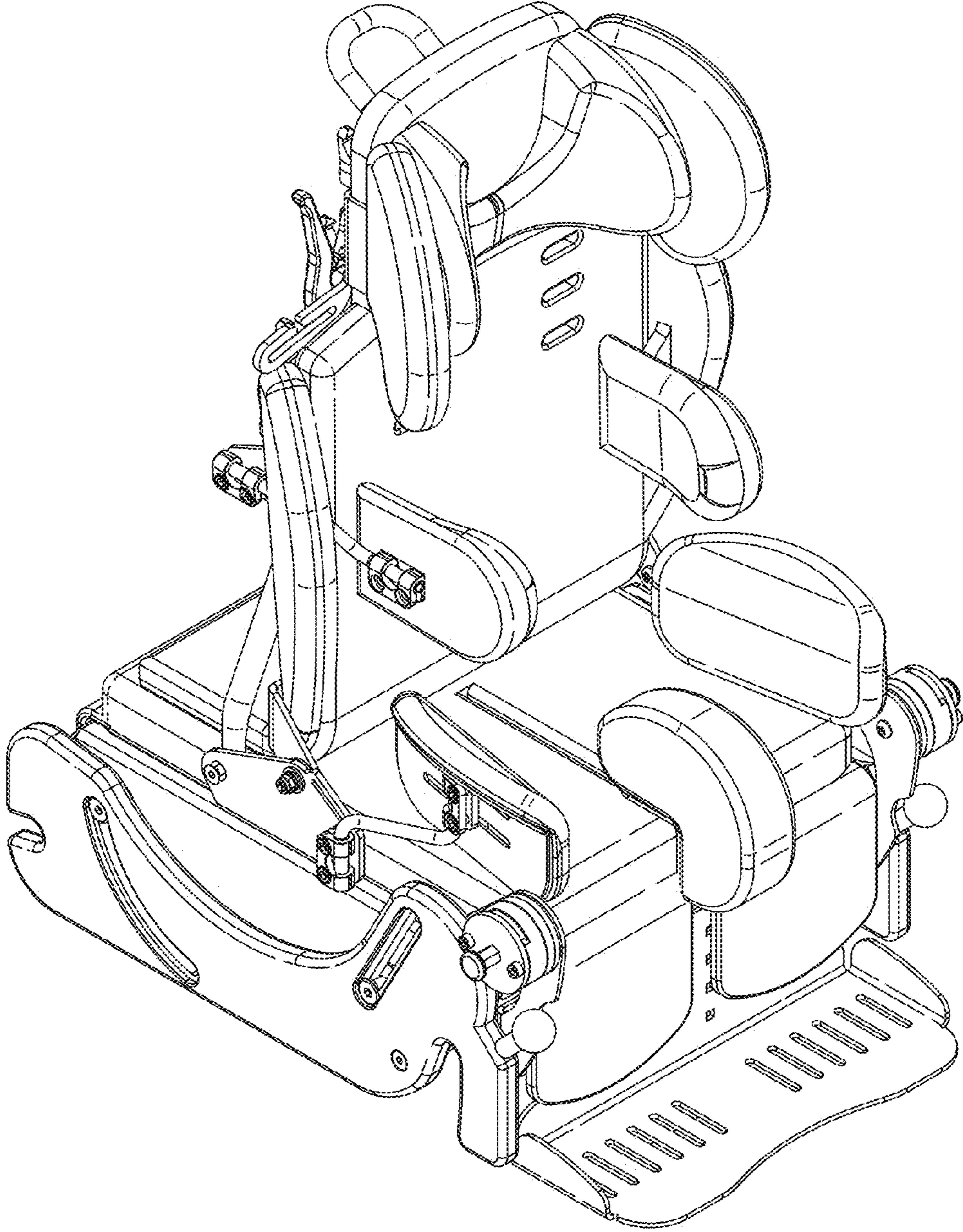


FIG.1

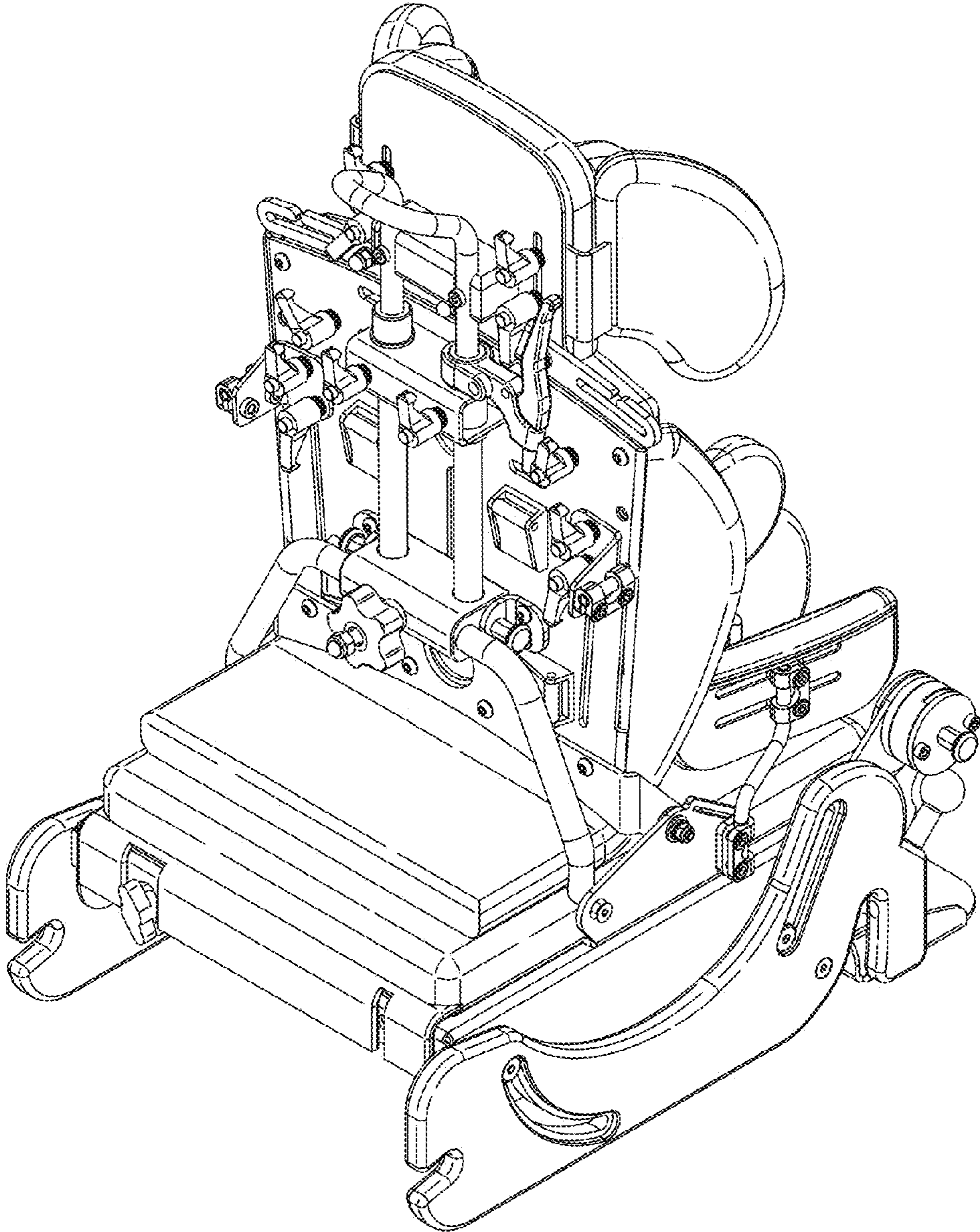


FIG.2

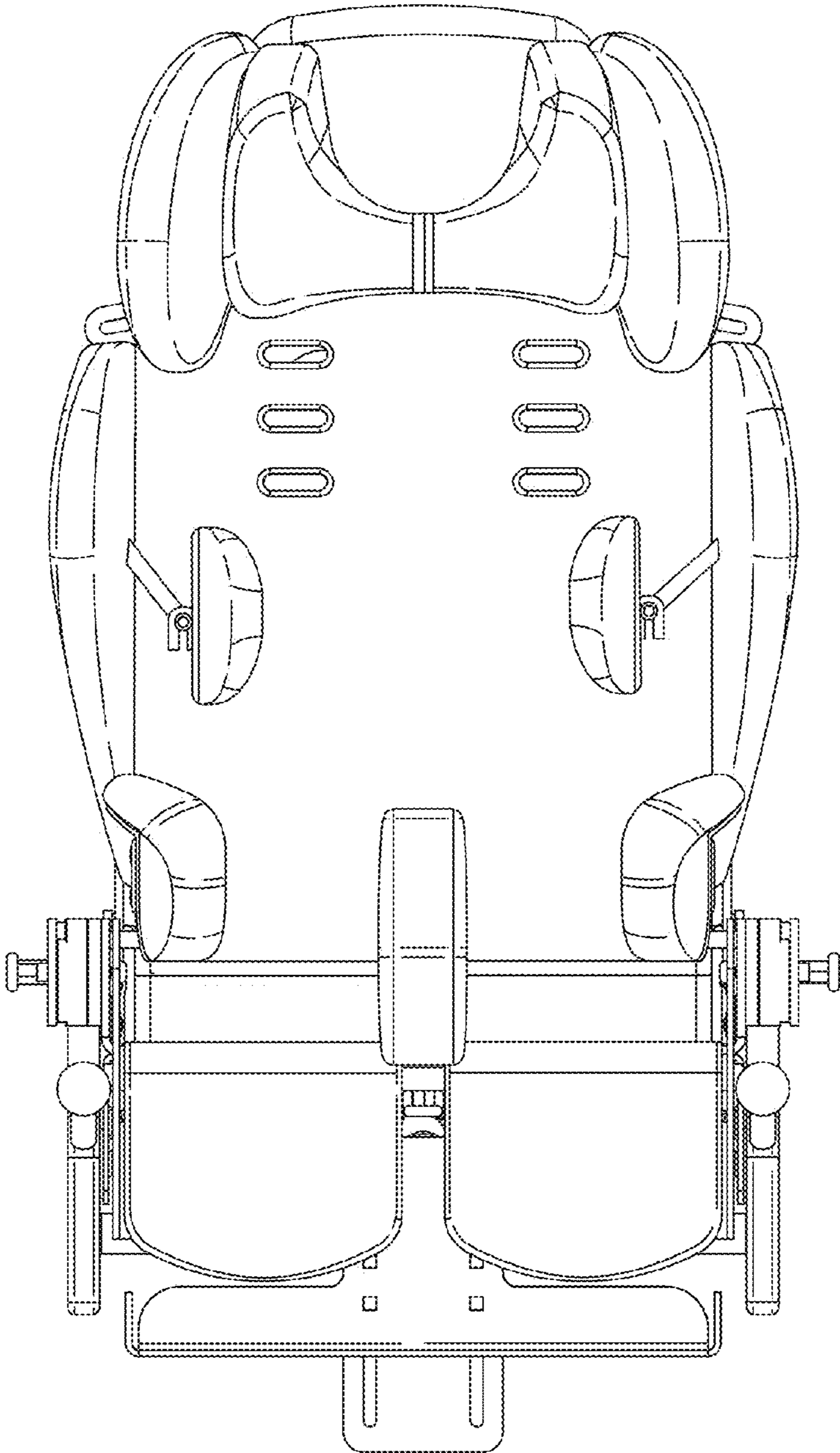


FIG.3

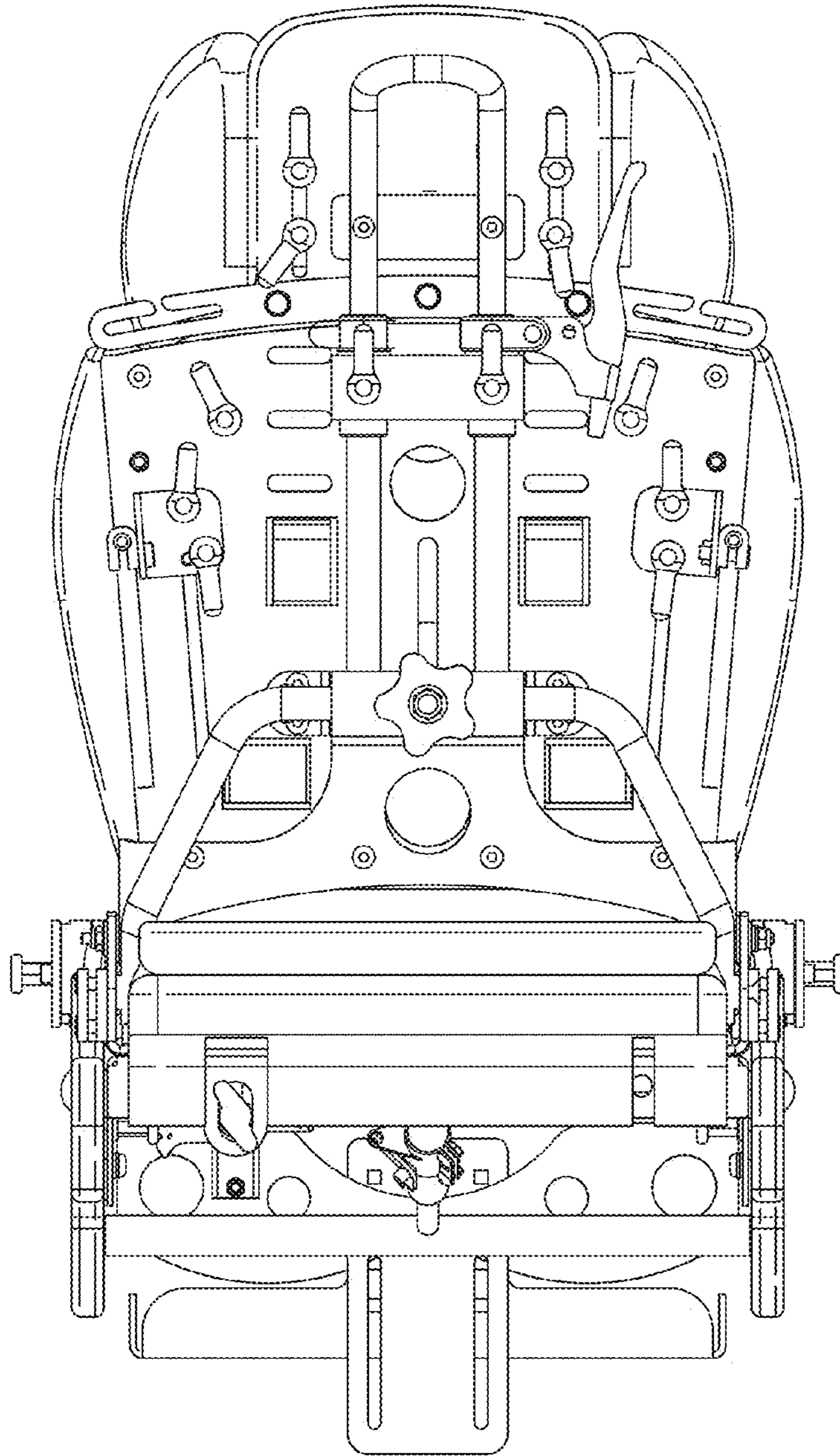


FIG.4

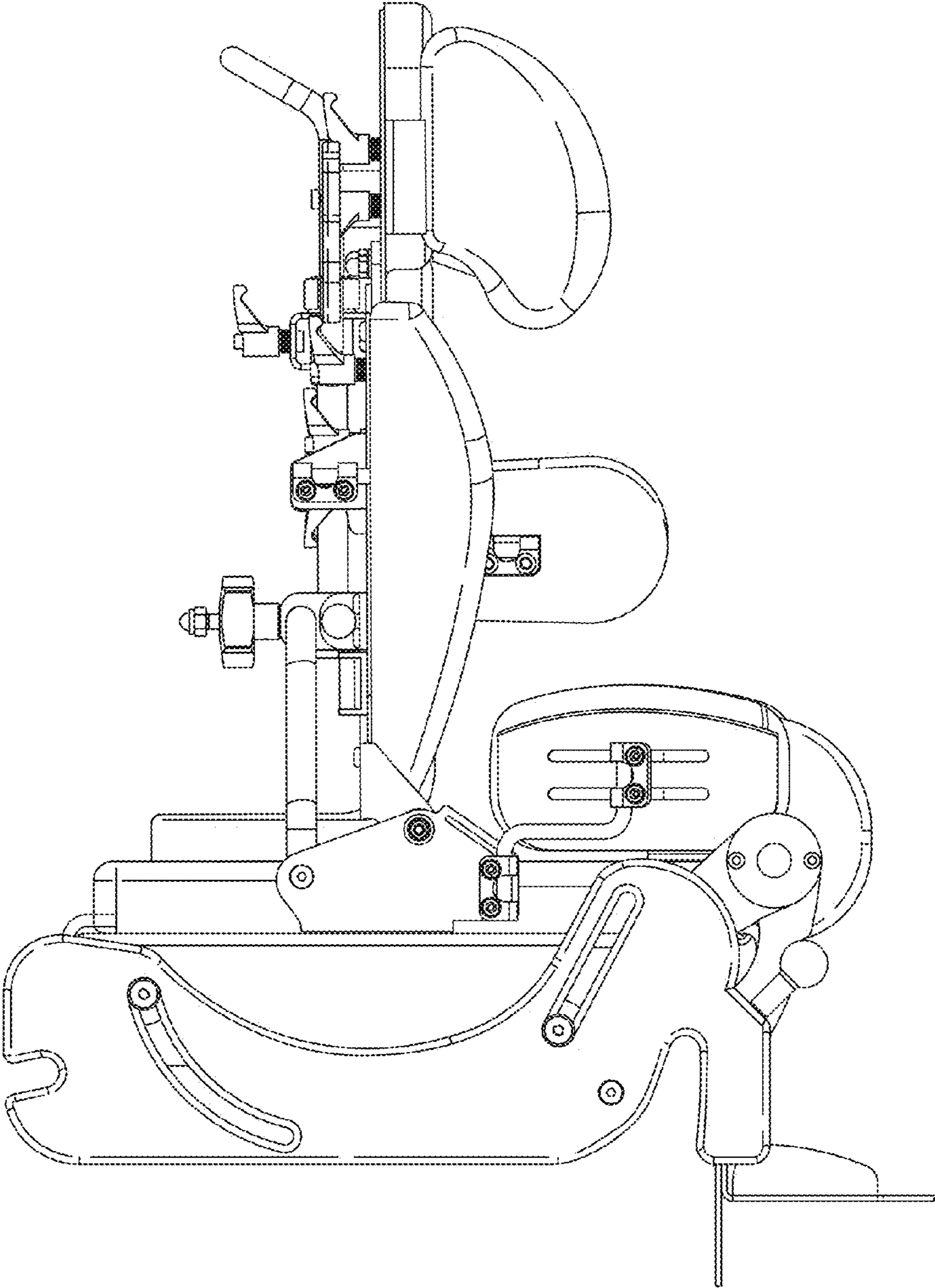


FIG.5

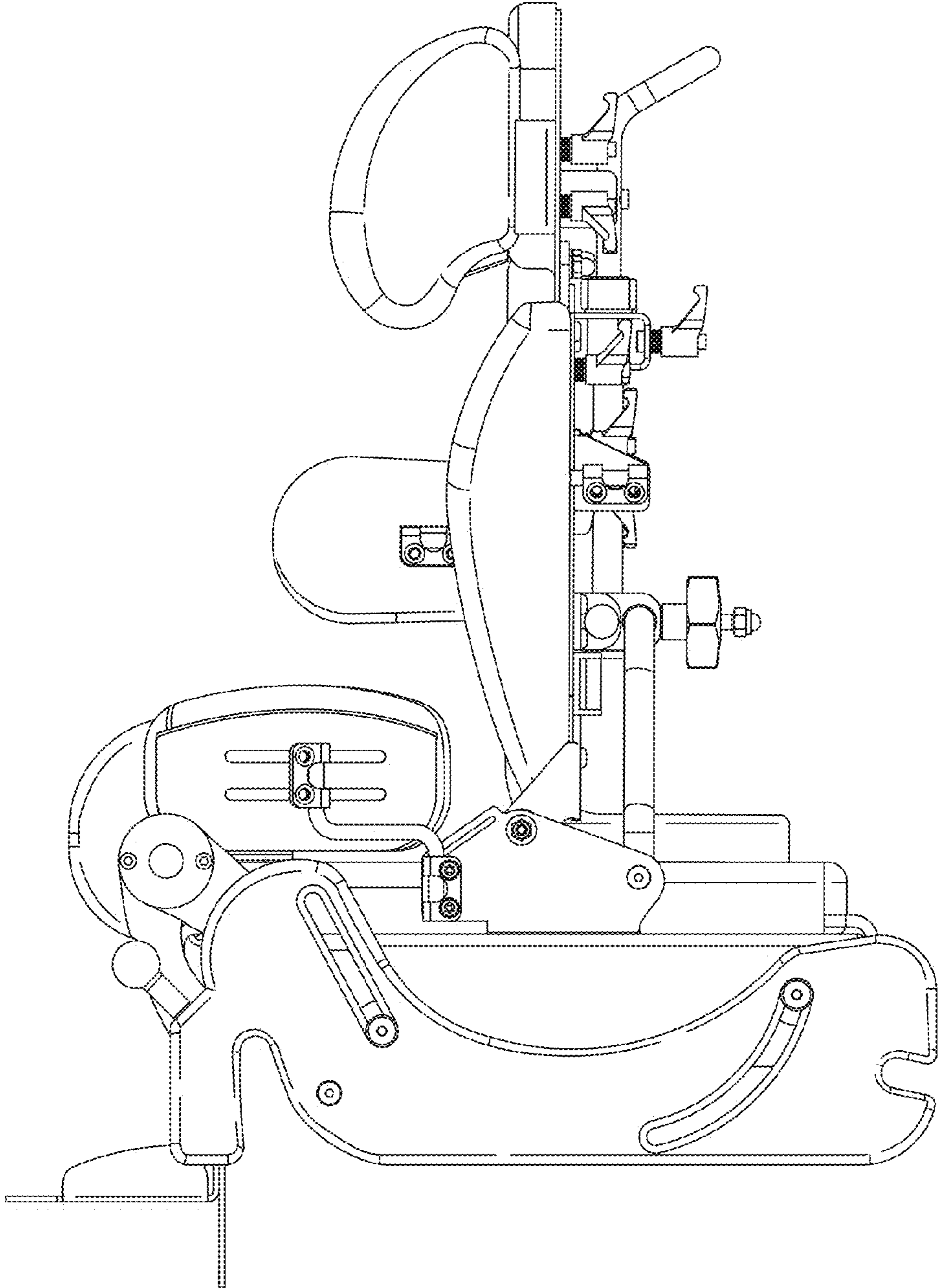


FIG.6

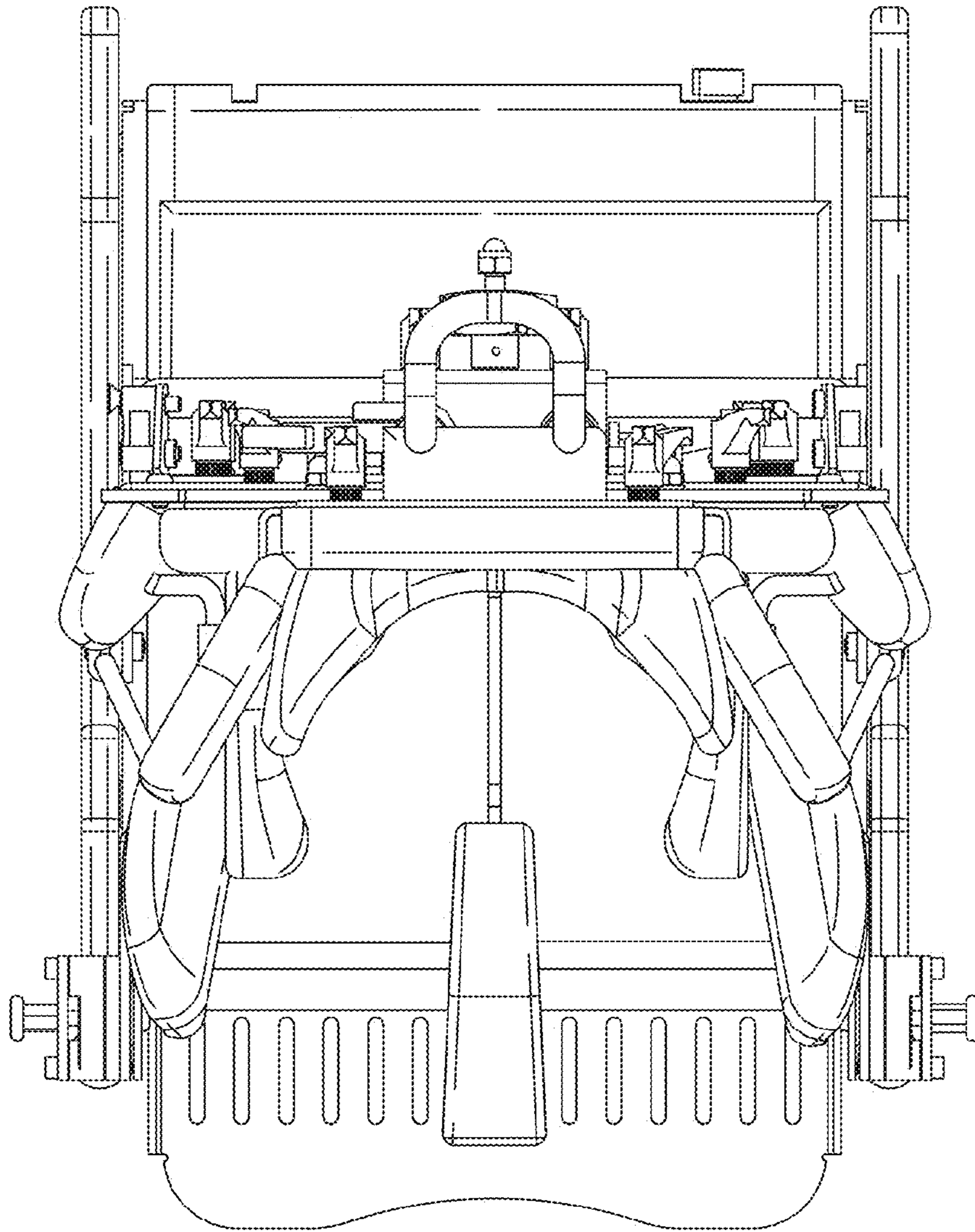


FIG.7

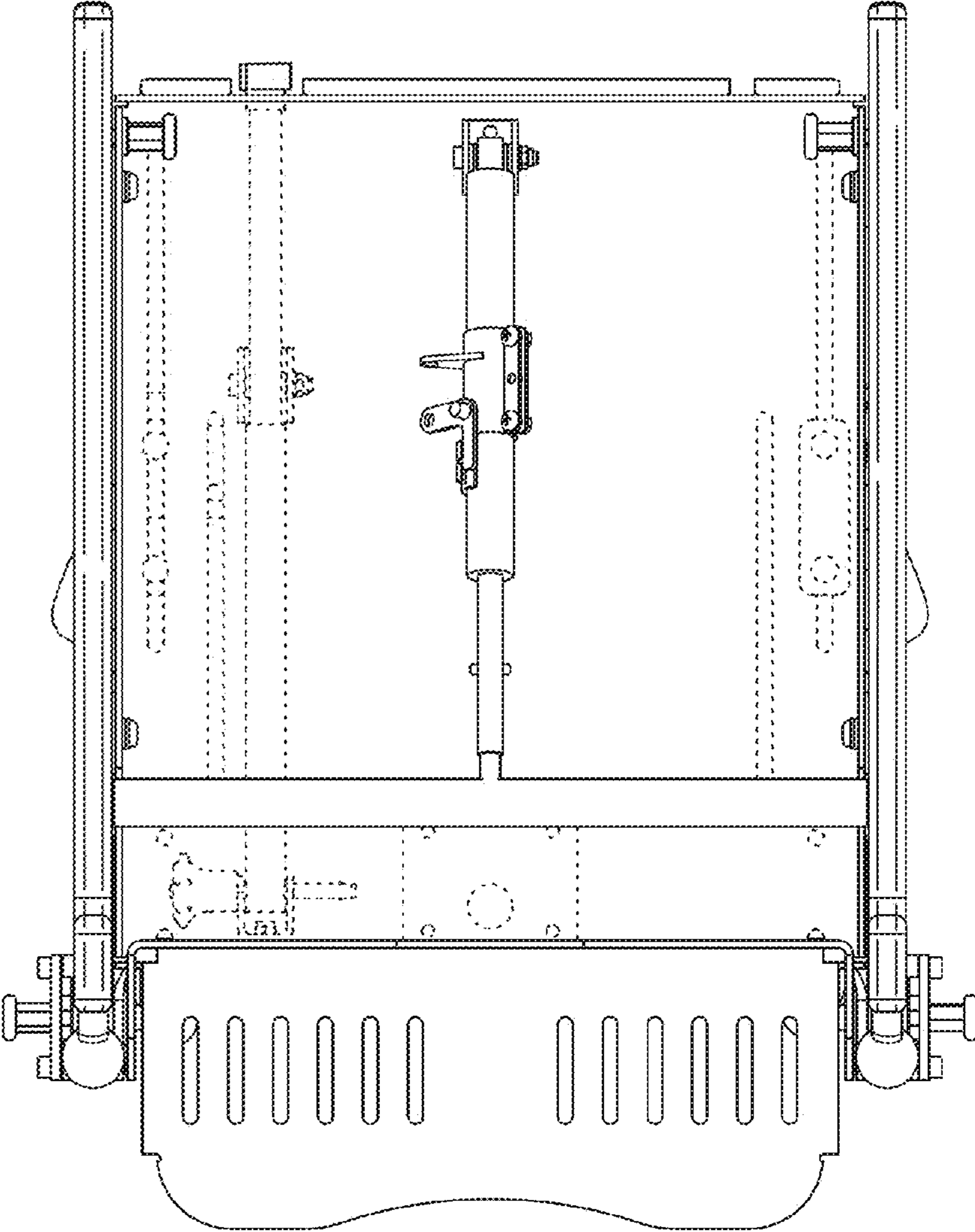


FIG. 8