



US00D720260S

(12) **United States Design Patent**  
**Yoshida**

(10) **Patent No.:** **US D720,260 S**  
(45) **Date of Patent:** **\*\* Dec. 30, 2014**

(54) **ELECTRICALLY POWER ASSISTED BICYCLE**

(71) Applicant: **Satoshi Yoshida**, Tokyo-to (JP)

(72) Inventor: **Satoshi Yoshida**, Tokyo-to (JP)

(73) Assignee: **Yamaha Hatsudoki Kabushiki Kaisha**  
(JP)

(\*\*) Term: **14 Years**

(21) Appl. No.: **29/490,146**

(22) Filed: **May 7, 2014**

(30) **Foreign Application Priority Data**

Nov. 7, 2013 (JP) ..... 2013-025993

(51) **LOC (10) Cl.** ..... **12-11**

(52) **U.S. Cl.**  
USPC ..... **D12/111**

(58) **Field of Classification Search**  
CPC ..... B62K 3/00; B62K 3/005; B62K 9/00;  
B62K 19/00; B62K 19/02; B62K 19/04;  
B62K 19/06; B62K 19/16  
USPC ..... D12/111, 117; 280/274–280, 281.1,  
280/283–288, 288.1–288.4  
See application file for complete search history.

(56) **References Cited**

**U.S. PATENT DOCUMENTS**

2,510,013 A \* 5/1950 Edgar ..... 280/234  
D354,934 S \* 1/1995 Johnson et al. .... D12/111  
D359,014 S \* 6/1995 Haney et al. .... D12/111  
D386,724 S \* 11/1997 Affolter ..... D12/111  
D406,253 S \* 3/1999 Yamashita et al. .... D12/110  
5,934,401 A \* 8/1999 Mayer et al. .... 180/220  
D434,349 S \* 11/2000 Currie et al. .... D12/111  
D498,438 S \* 11/2004 Ying ..... D12/111

D529,843 S \* 10/2006 Pizzi ..... D12/111  
D551,130 S \* 9/2007 Pizzi ..... D12/111  
D620,400 S \* 7/2010 Haller et al. .... D12/111  
D621,303 S \* 8/2010 Tanaka et al. .... D12/111  
D685,683 S \* 7/2013 Shaw et al. .... D12/111

**FOREIGN PATENT DOCUMENTS**

CN 203593100 U \* 10/2013 ..... B62K 11/02  
DE 102012222087 \* 12/2012 ..... B62M 6/40  
JP 05262274 A \* 10/1993 ..... B62M 23/02  
JP 2000072073 A \* 3/2000 ..... B62J 11/00  
KR 2014078321 A \* 12/2012 ..... B62M 6/40

**OTHER PUBLICATIONS**

“Pedego in The New York Times—“I Sing the Bike Electric” by Joyce Wadler.” Pedego Electric Bikes Blog., Oct. 30, 2013 [online], [retrieved on Sep. 5, 2014]. Retrieved from the Internet <URL: <http://www.pedegoelectricbikes.com/pedego-in-the-new-york-times-i-sing-the-bike-electric-by-joyce-wadler>>.\*

(Continued)

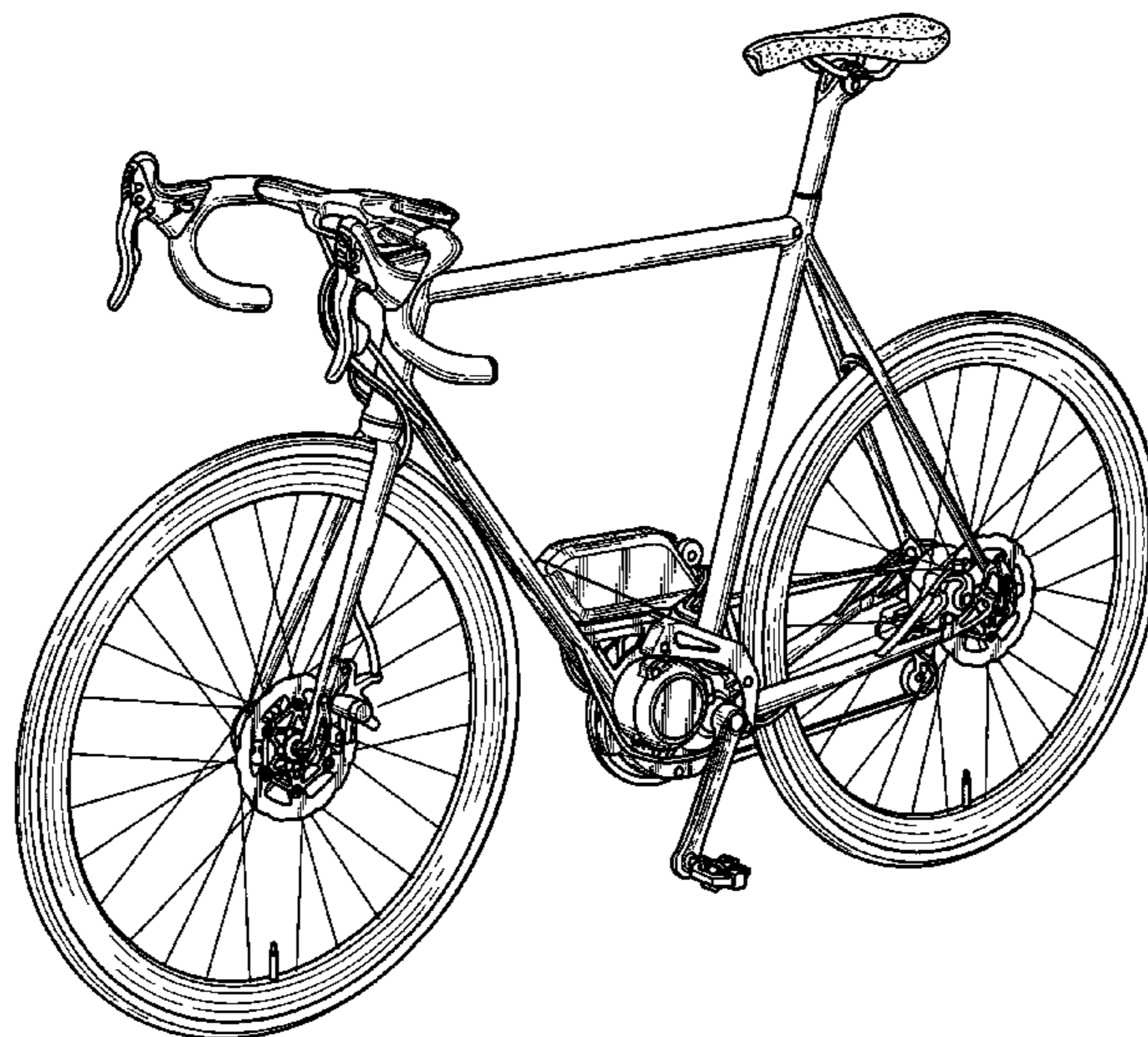
*Primary Examiner* — Philip S Hyder  
*Assistant Examiner* — Darlington Ly  
(74) *Attorney, Agent, or Firm* — Ostrolenk Faber LLP

(57) **CLAIM**  
The ornamental design for an electrically power assisted bicycle, as shown.

**DESCRIPTION**

FIG. 1 is a left side, front, perspective view of an electrically power assisted bicycle showing my new design;  
FIG. 2 is a right side, rear, perspective view thereof;  
FIG. 3 is a left side view thereof;  
FIG. 4 is a right side view thereof;  
FIG. 5 is a front view thereof;  
FIG. 6 is a rear view thereof;  
FIG. 7 is a top view thereof; and,  
FIG. 8 is a bottom view thereof.

**1 Claim, 8 Drawing Sheets**



(56)

**References Cited**

OTHER PUBLICATIONS

“Audi Electric Bike Revealed.” Electric Bike., May 2, 2012 [online], [retrieved on Sep. 5, 2014]. Retrieved from the Internet <URL: <http://www.electricbike.com/audi-ebike/>>.\*

Valerie. “Currie Technologies To Launch eFlow Electric Bike at Interbike.” Mountain Bike Review., Aug. 22, 2012 [online], [retrieved on Sep. 5, 2014]. Retrieved from the Internet <URL: <http://reviews.mtbr.com/currie-technologies-to-launch-eflow-electric-bike-at-interbike/>>.\*

\* cited by examiner

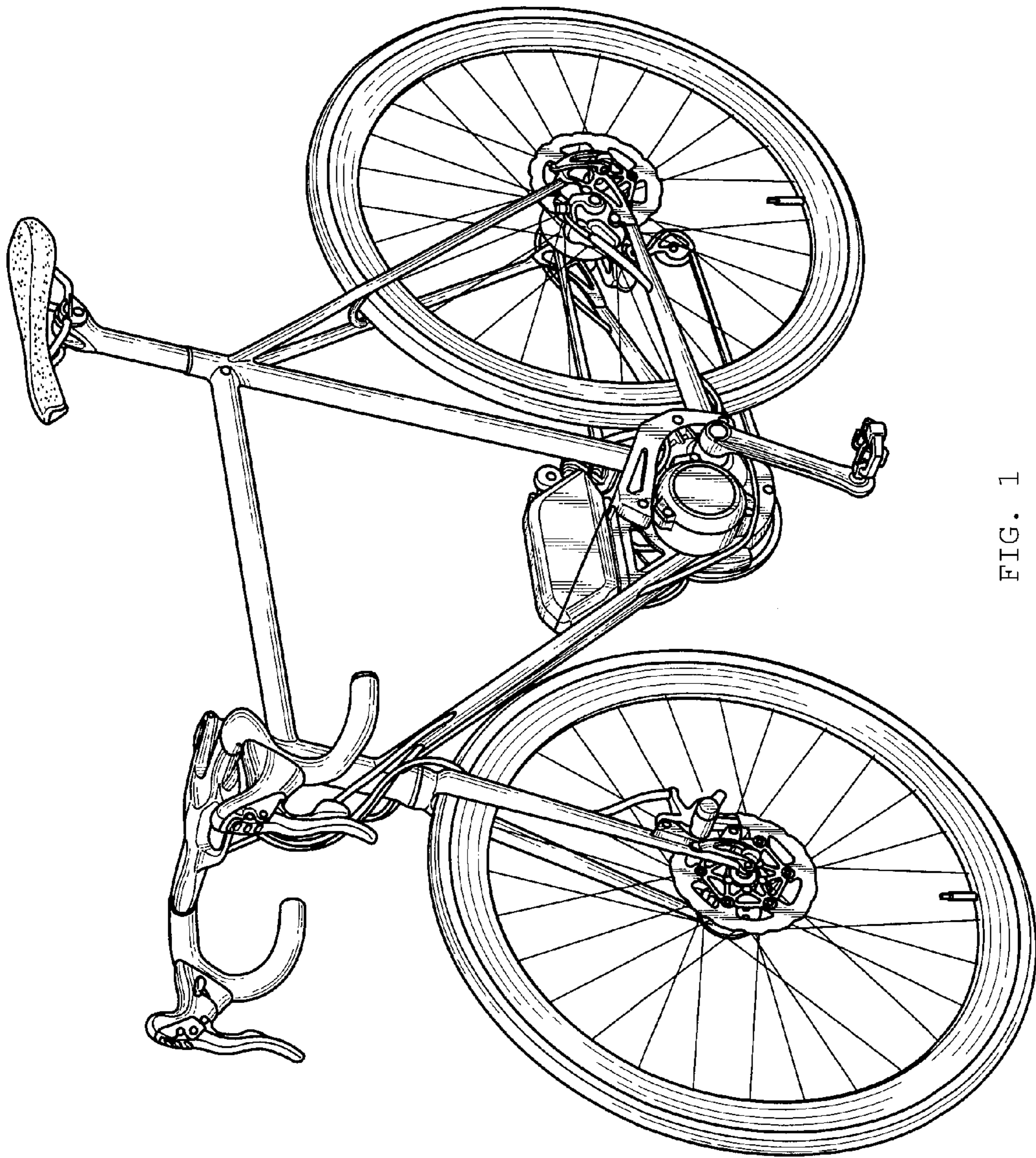


FIG. 1

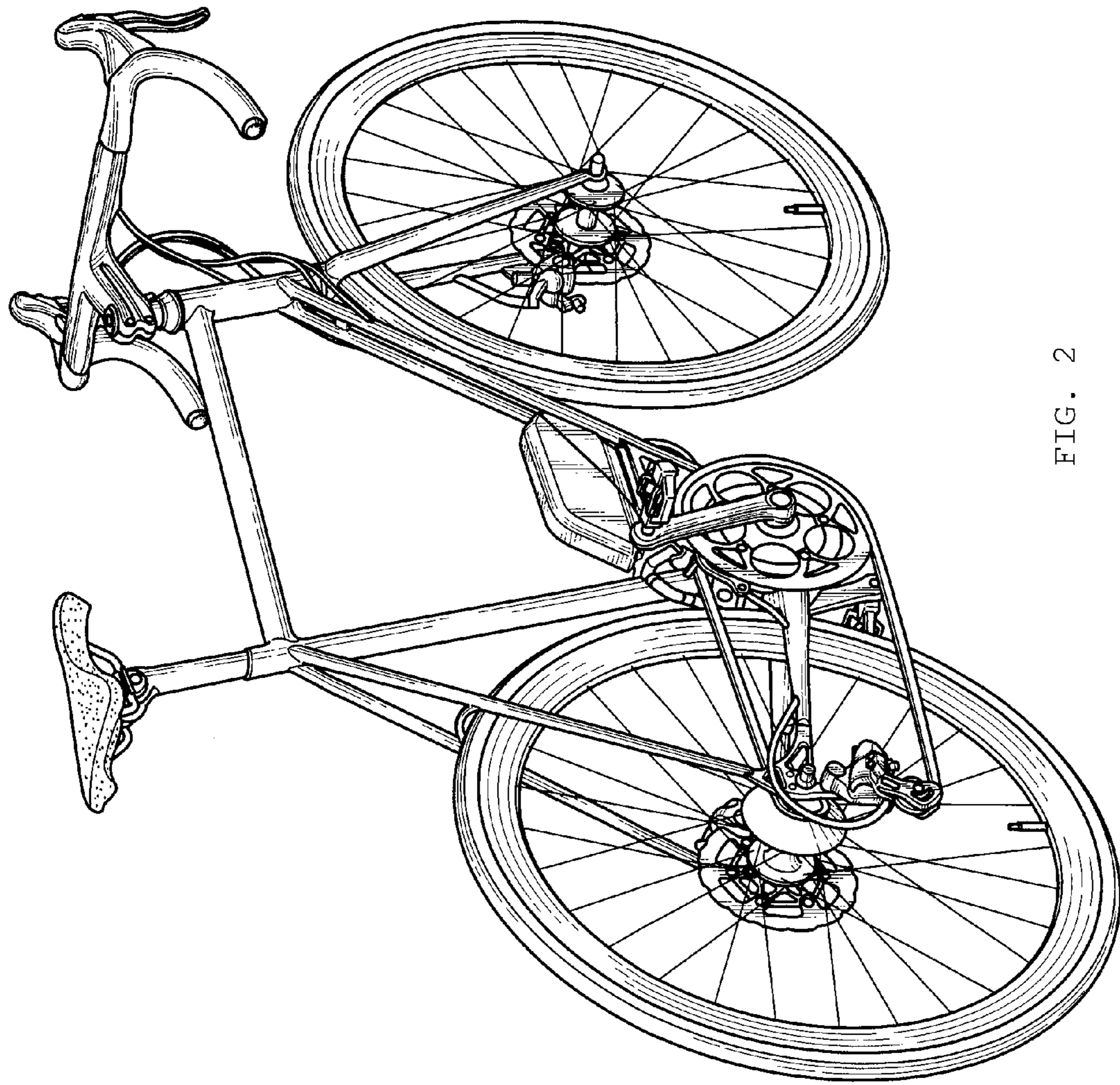


FIG. 2

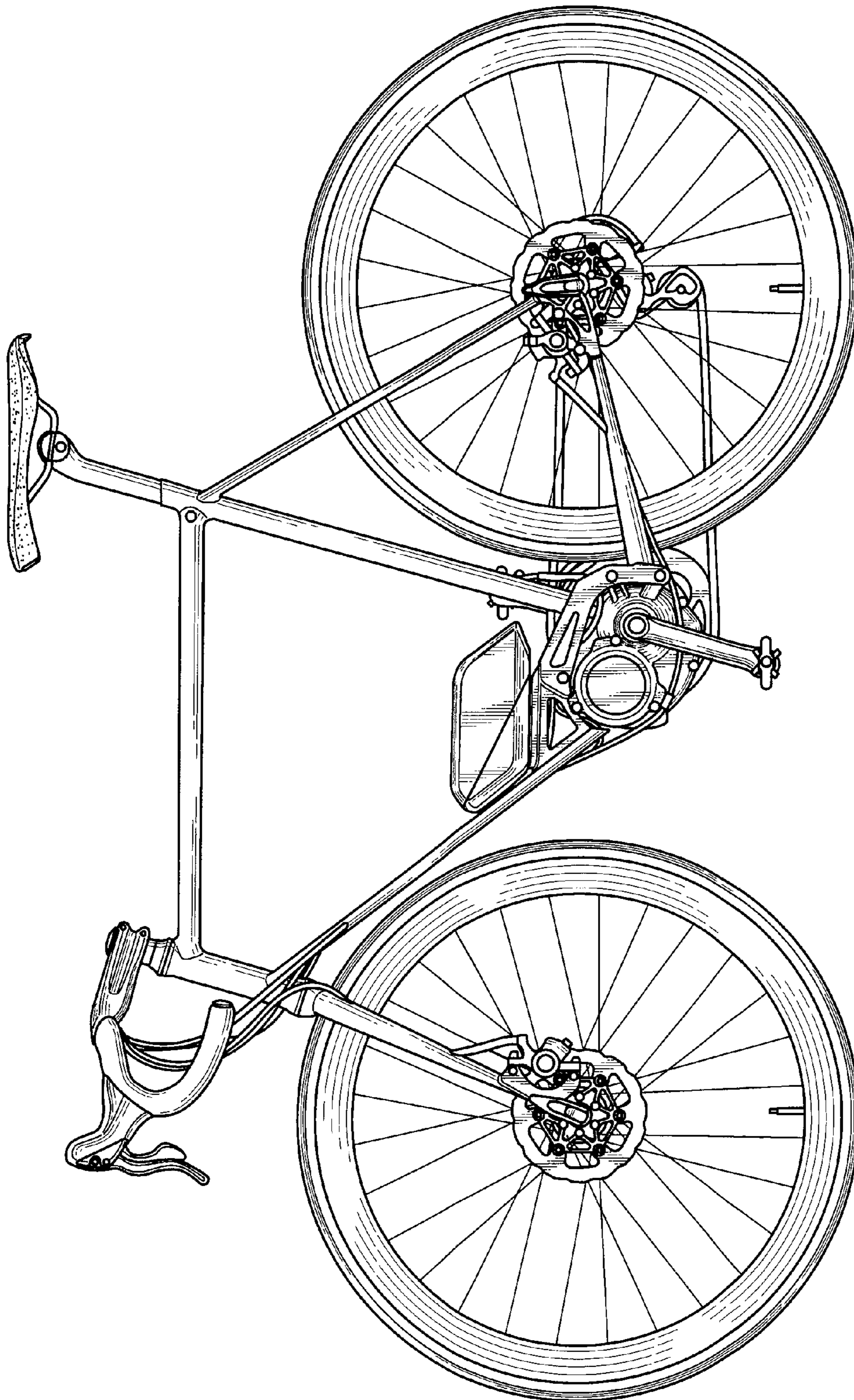


FIG. 3

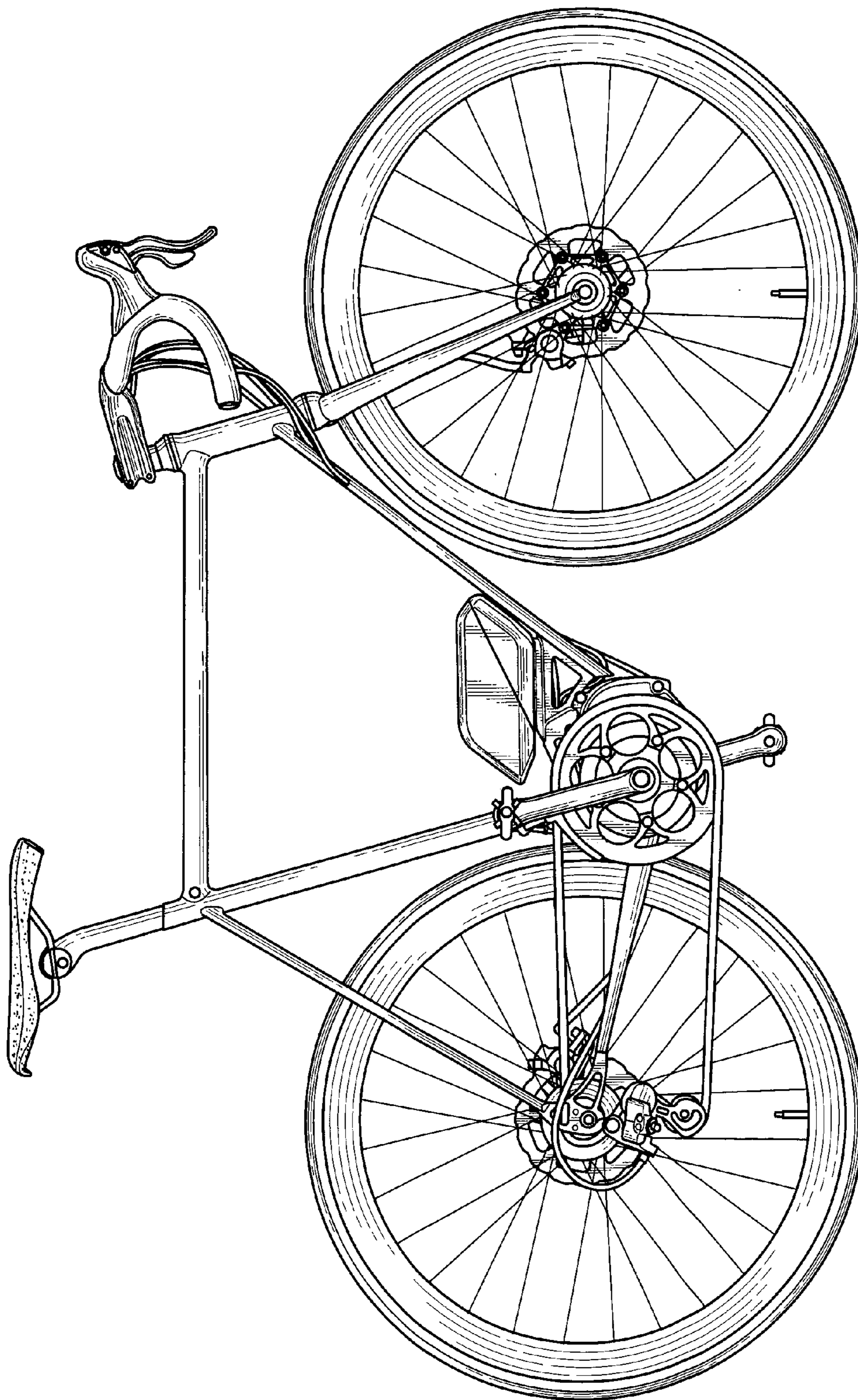


FIG. 4

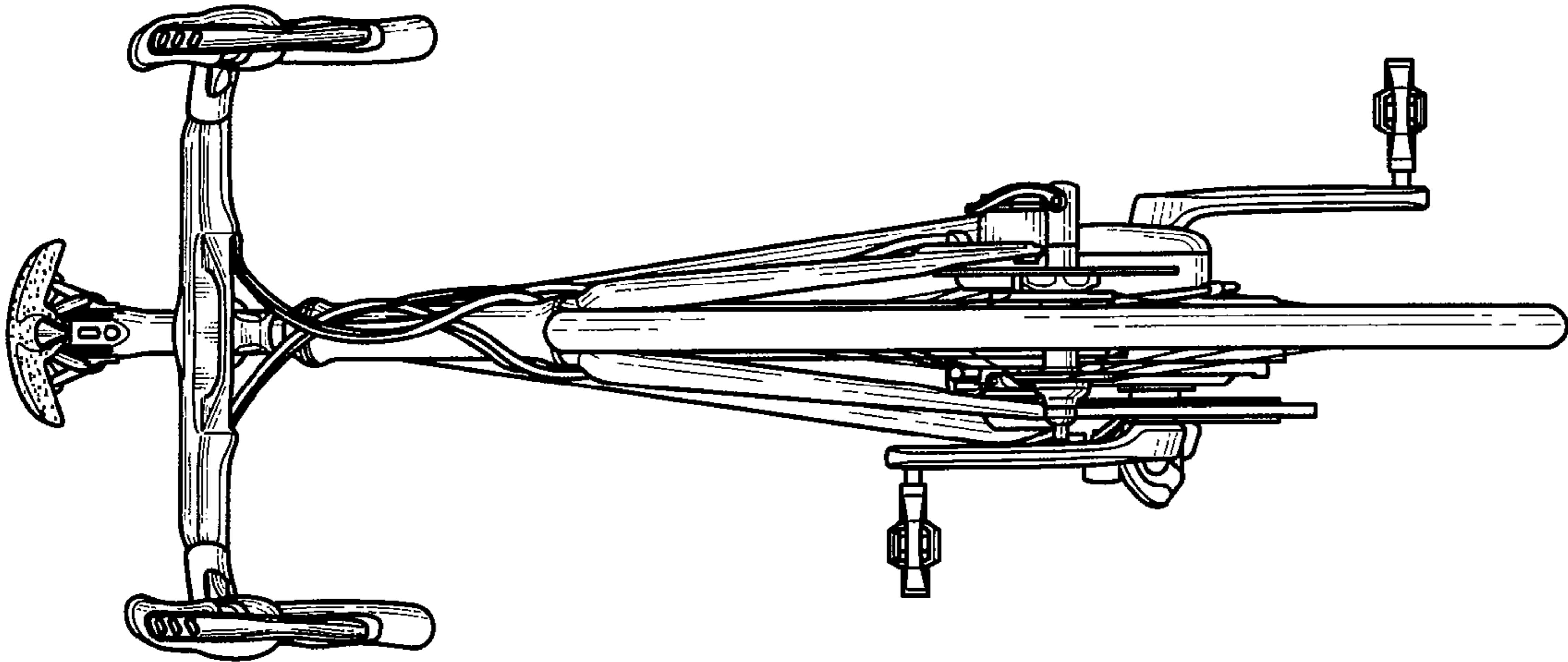


FIG. 5

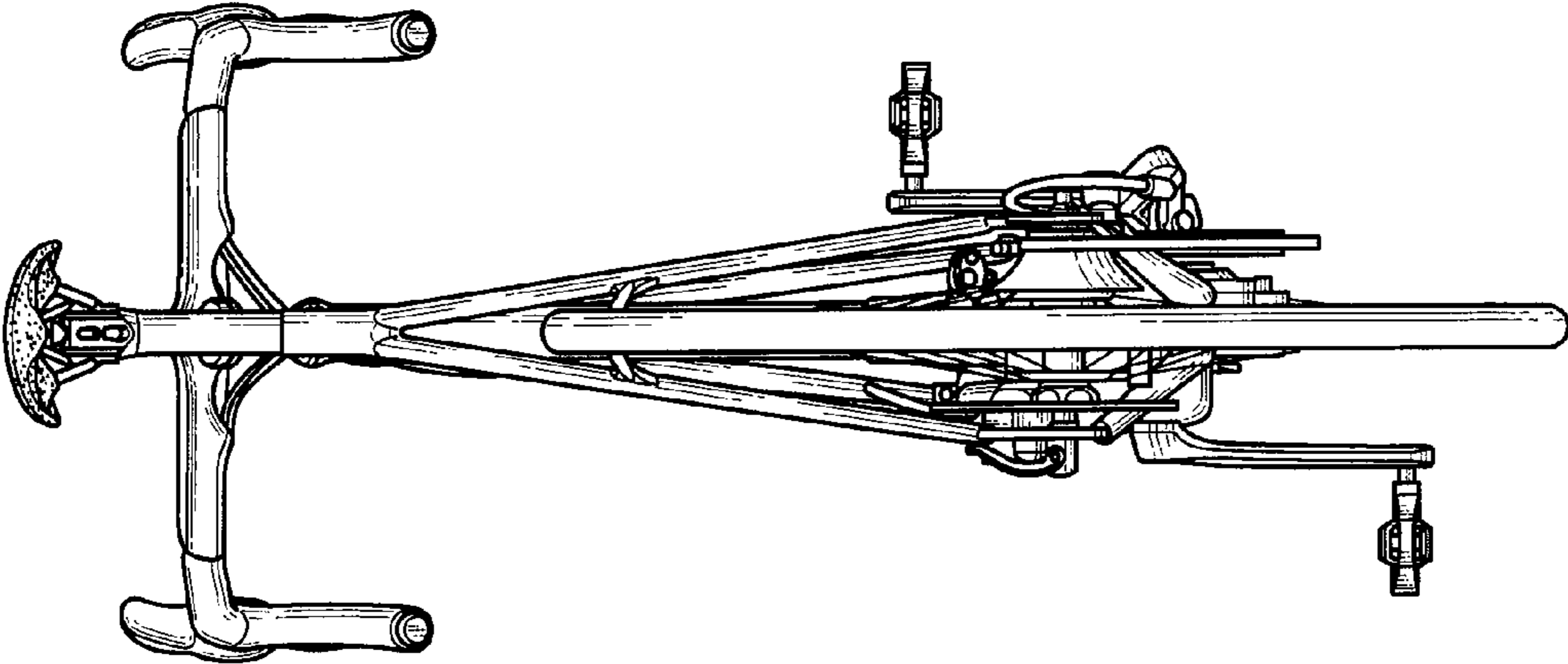


FIG. 6



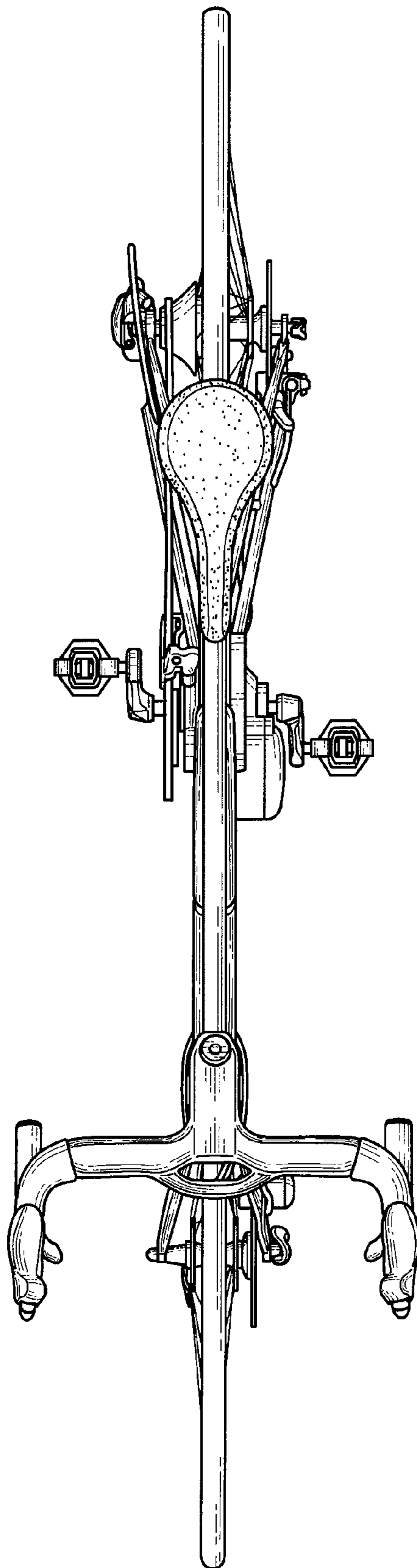


FIG. 7

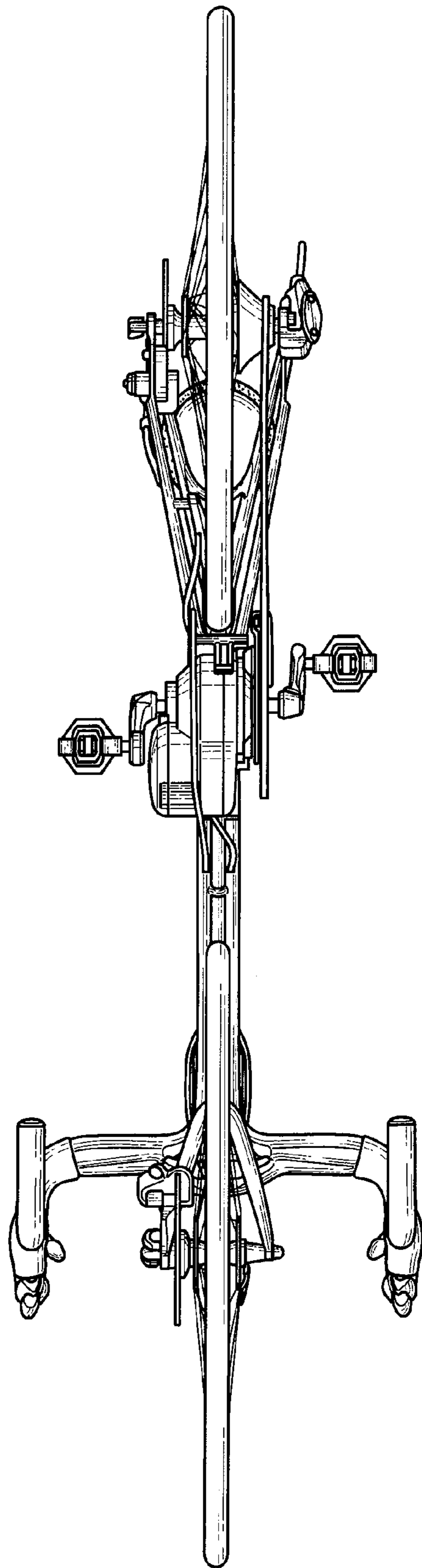


FIG. 8