



US00D720258S

(12) **United States Design Patent**
Takezaki

(10) **Patent No.:** **US D720,258 S**

(45) **Date of Patent:** **** Dec. 30, 2014**

(54) **FOUR WHEELED VEHICLE**

(71) Applicant: **Shoichi Takezaki**, Tokyo-to (JP)

(72) Inventor: **Shoichi Takezaki**, Tokyo-to (JP)

(73) Assignee: **Yamaha Hatsudoki Kabushiki Kaisha**
(JP)

(**) Term: **14 Years**

(21) Appl. No.: **29/456,440**

(22) Filed: **May 31, 2013**

(51) **LOC (10) CL.** **12-11**

(52) **U.S. CL.**
USPC **D12/107**

(58) **Field of Classification Search**
USPC D12/107, 181; D6/354; 180/233, 248,
180/311, 312, 89.2, 90.6, 247, 309, 89.1,
180/908; 297/195.13, 195.1, 195.12;
296/37.1, 64, 63; 224/275, 426, 488,
224/572; 280/124.135, 93.502, 781

See application file for complete search history.

(56) **References Cited**

U.S. PATENT DOCUMENTS

D425,452 S *	5/2000	Mon et al.	D12/107
D485,212 S *	1/2004	Wu	D12/107
D485,213 S *	1/2004	Wu	D12/107
D508,667 S *	8/2005	Sugimoto	D12/184
D511,318 S *	11/2005	Sugimoto	D12/107
D515,978 S *	2/2006	Luh	D12/107
D516,960 S *	3/2006	Luh	D12/107
D517,450 S *	3/2006	Wu	D12/107
D522,410 S *	6/2006	Lin	D12/107
D529,840 S *	10/2006	Sugawara	D12/107

D531,550 S *	11/2006	Hirano	D12/107
D534,100 S *	12/2006	Kinoshita	D12/107
D549,135 S *	8/2007	Murakami	D12/107
D580,301 S *	11/2008	Schroeder et al.	D12/107
D593,454 S *	6/2009	Sanschagrin et al.	D12/107
D594,388 S *	6/2009	Sanschagrin et al.	D12/107
D596,534 S *	7/2009	Tashiro	D12/107
D601,060 S *	9/2009	Kinoshita	D12/107
D601,464 S *	10/2009	Tashiro	D12/114
D602,812 S *	10/2009	Kinoshita	D12/107
D624,852 S *	10/2010	Tandrup et al.	D12/107
D636,707 S *	4/2011	Bracy et al.	D12/107
D670,616 S *	11/2012	Hobo	D12/107
D685,680 S *	7/2013	Takeda	D12/107
D685,681 S *	7/2013	Takeda	D12/107
2008/0277184 A1 *	11/2008	Marleau	180/312

* cited by examiner

Primary Examiner — Eric Goodman

Assistant Examiner — Ryan Harvey

(74) *Attorney, Agent, or Firm* — Ostrolenk Faber LLP

(57) **CLAIM**

The ornamental design for a four wheeled vehicle, as shown.

DESCRIPTION

FIG. 1 is a left side, front, perspective view of a four wheeled vehicle showing my new design;

FIG. 2 is a right side, rear perspective view thereof;

FIG. 3 is a front view thereof;

FIG. 4 is a rear view thereof;

FIG. 5 is a right side view thereof;

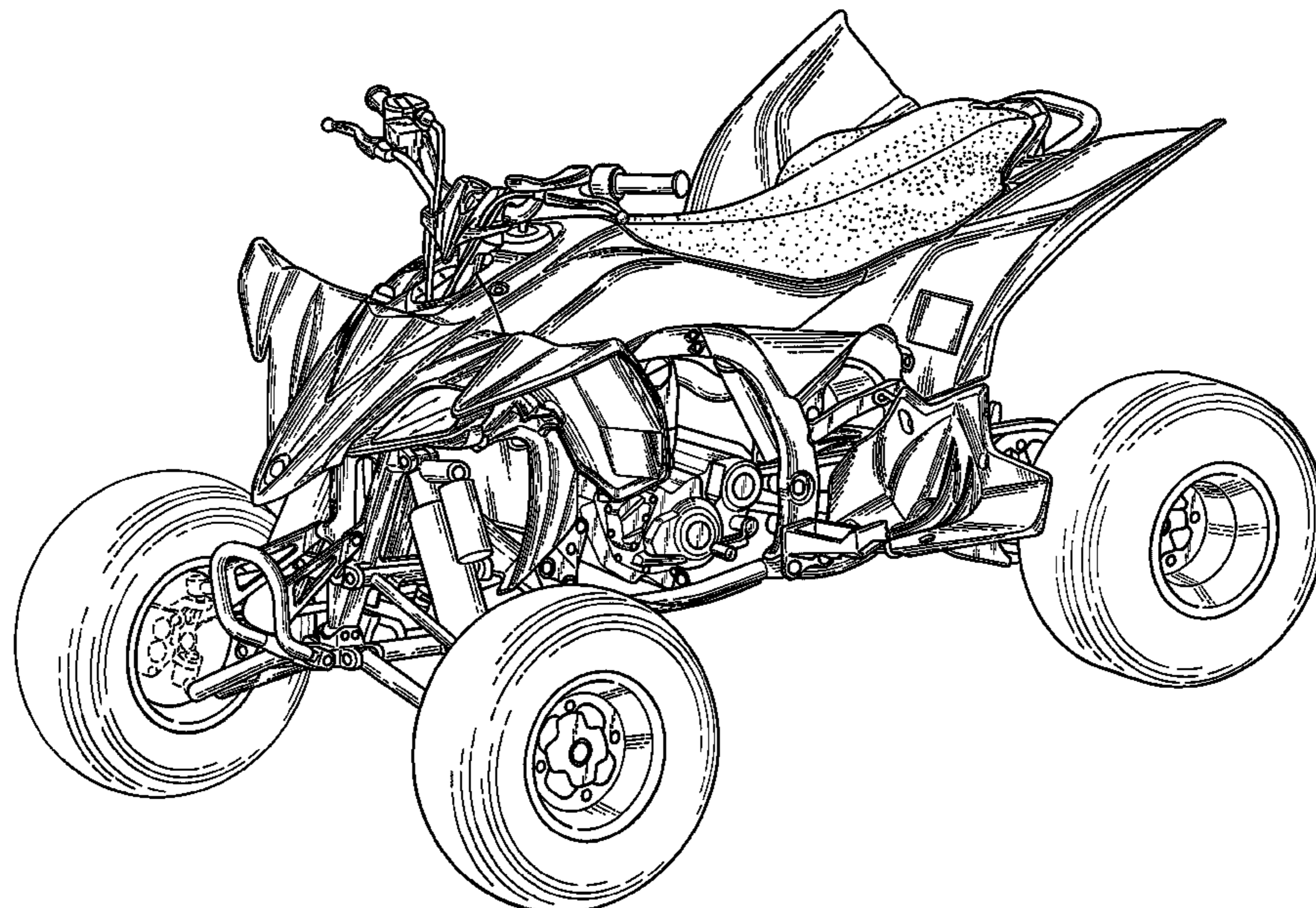
FIG. 6 is a left side view thereof;

FIG. 7 is a top view thereof; and,

FIG. 8 is a bottom view thereof.

The broken lines illustrate portions of the article that form no part of the claimed design.

1 Claim, 8 Drawing Sheets



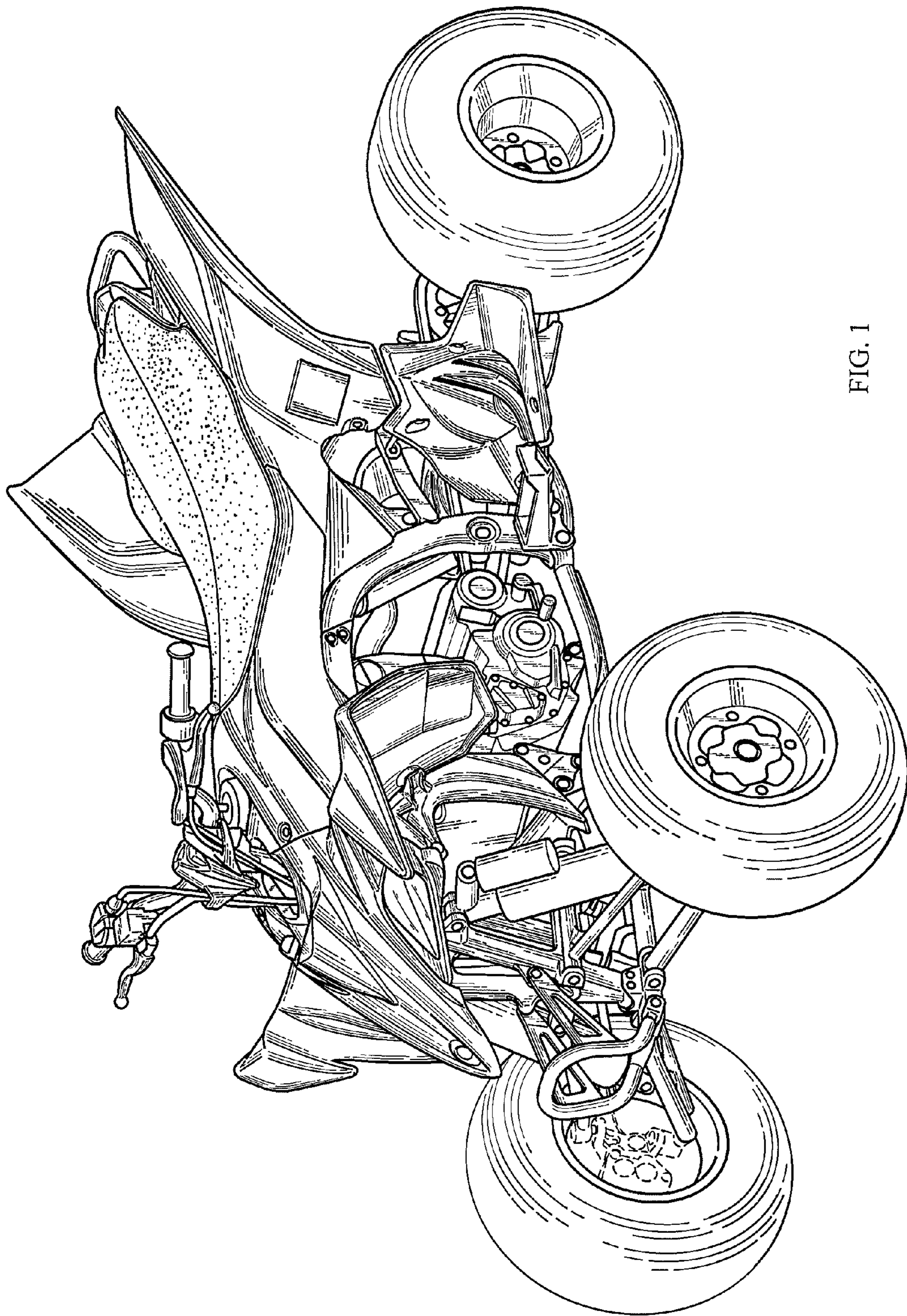


FIG. 1

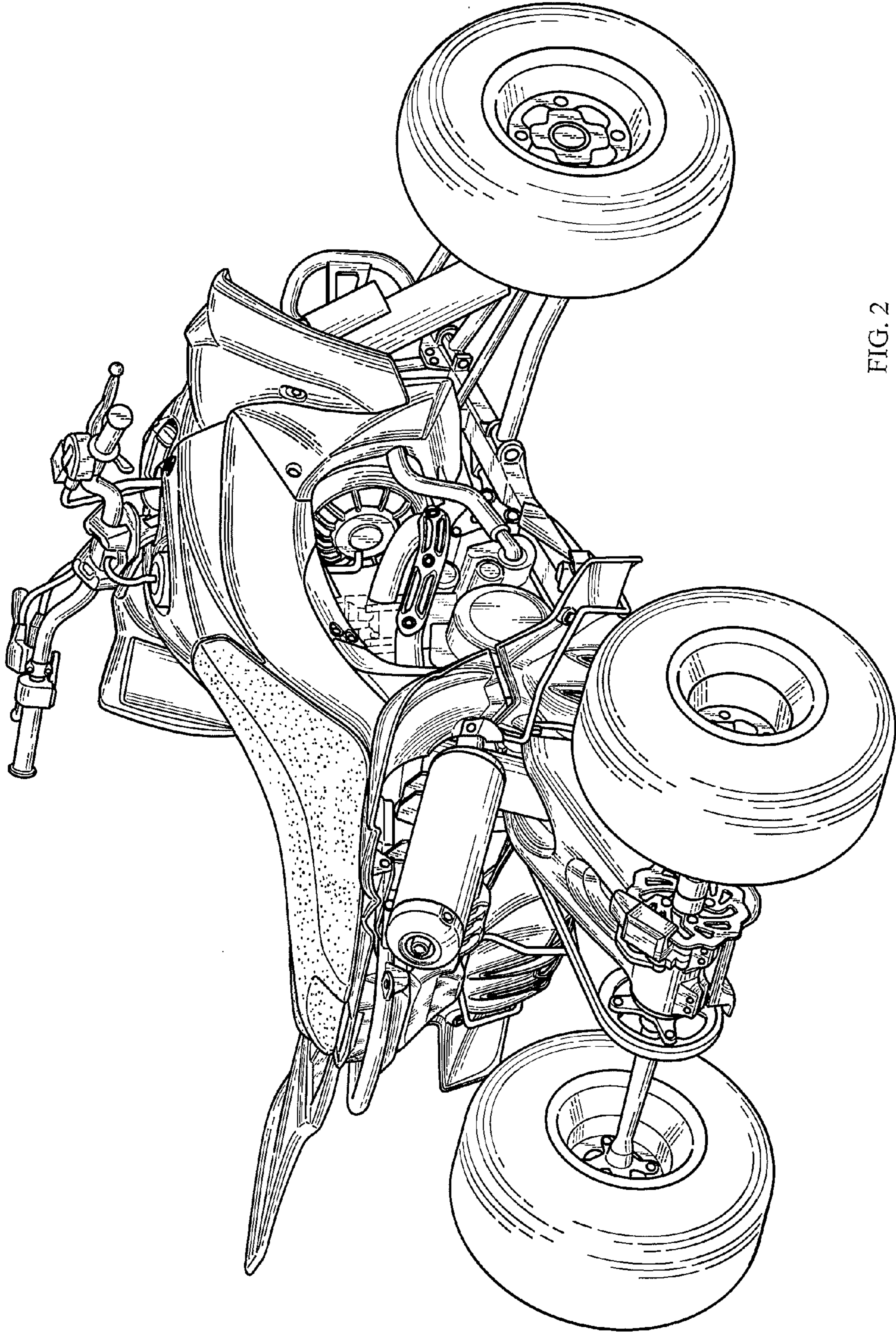


FIG. 2

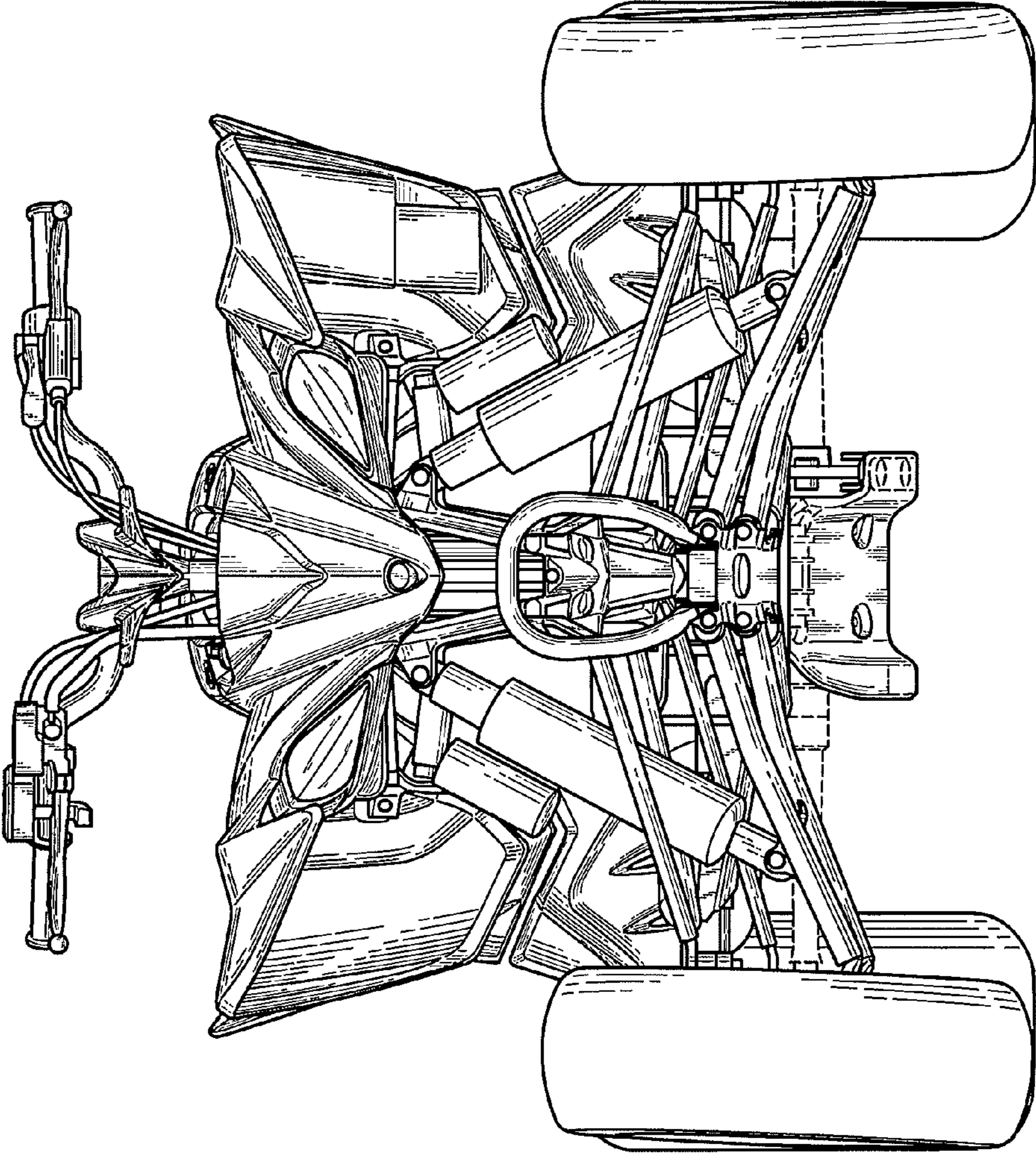


FIG. 3

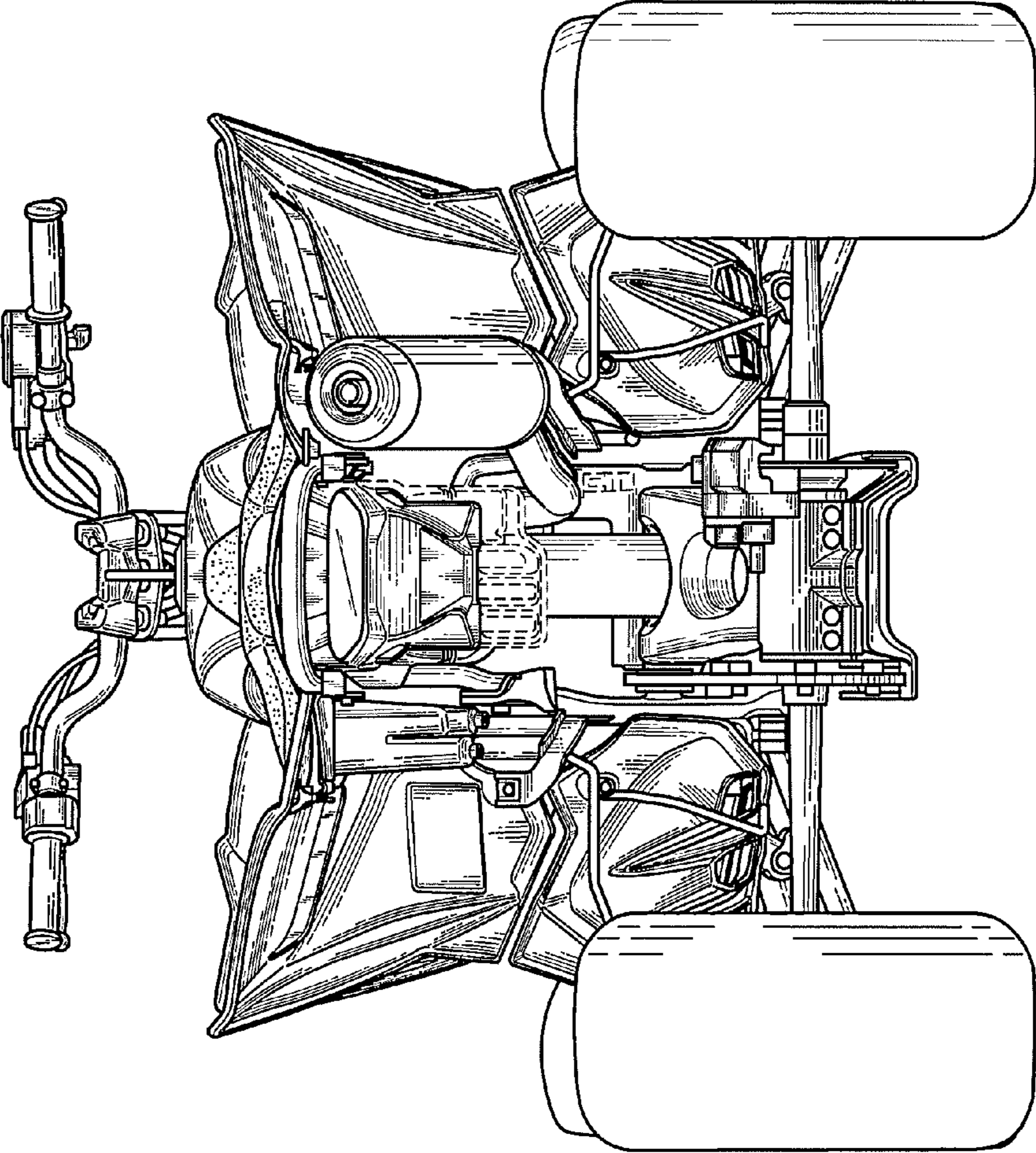


FIG. 4

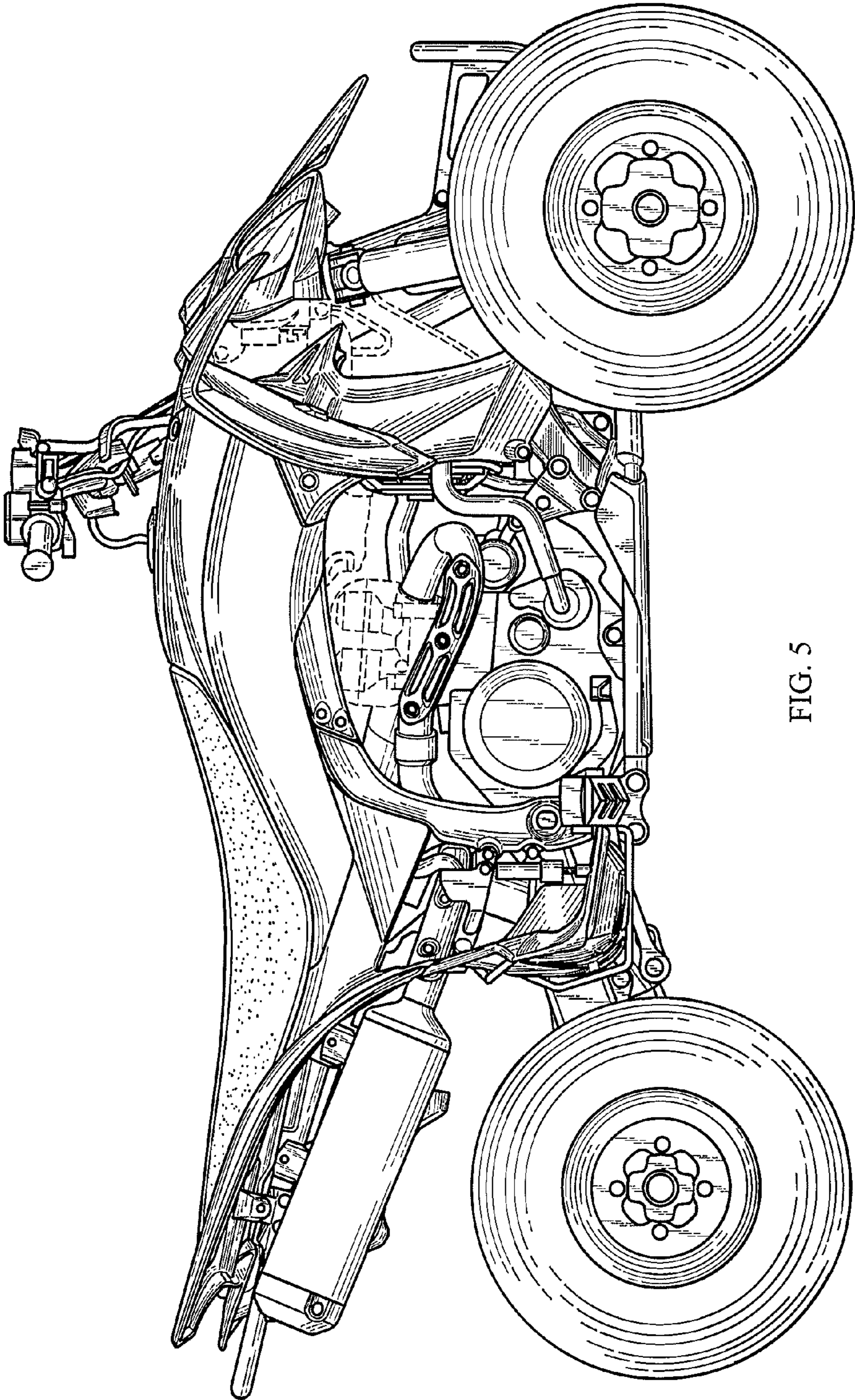


FIG. 5

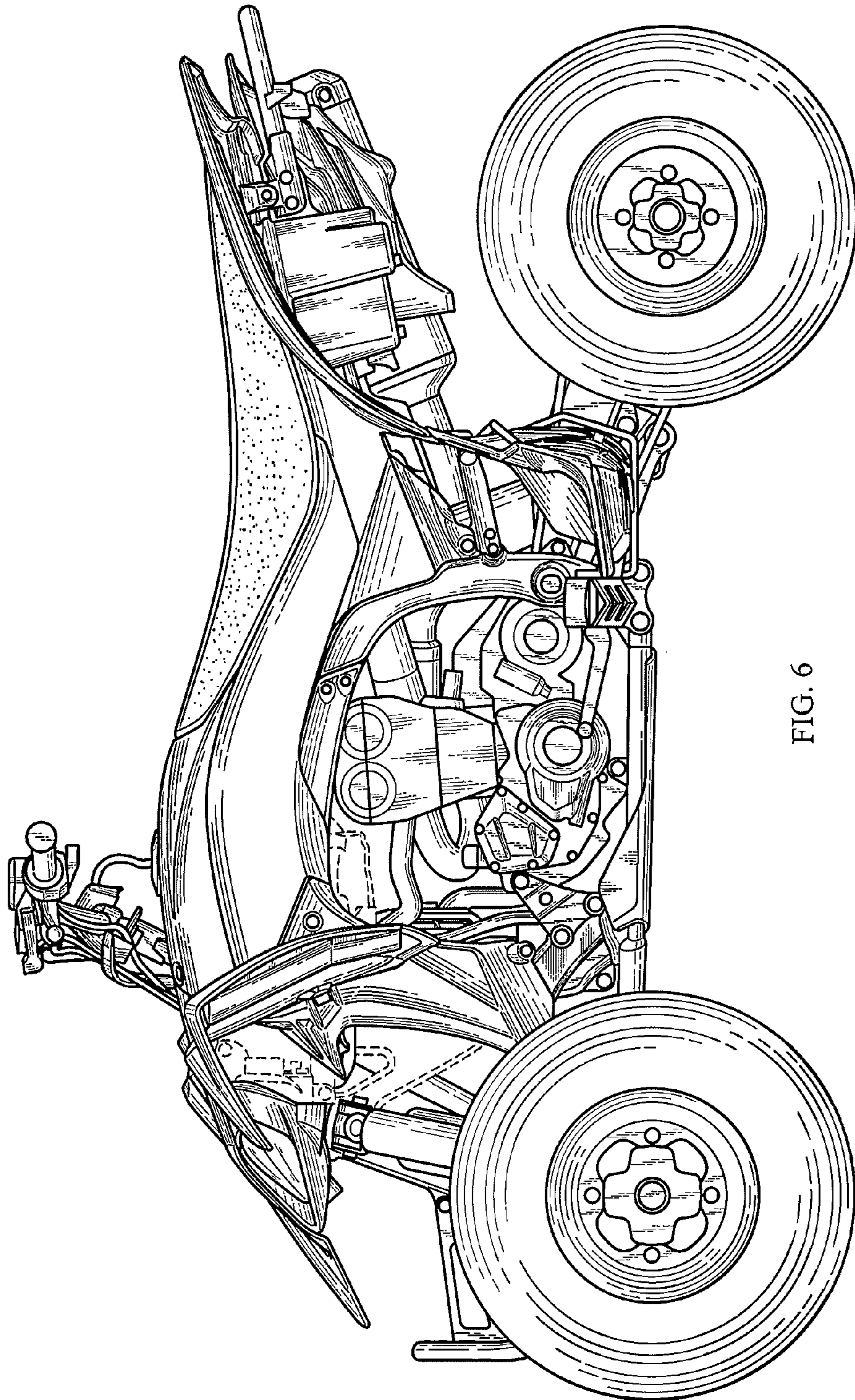


FIG. 6

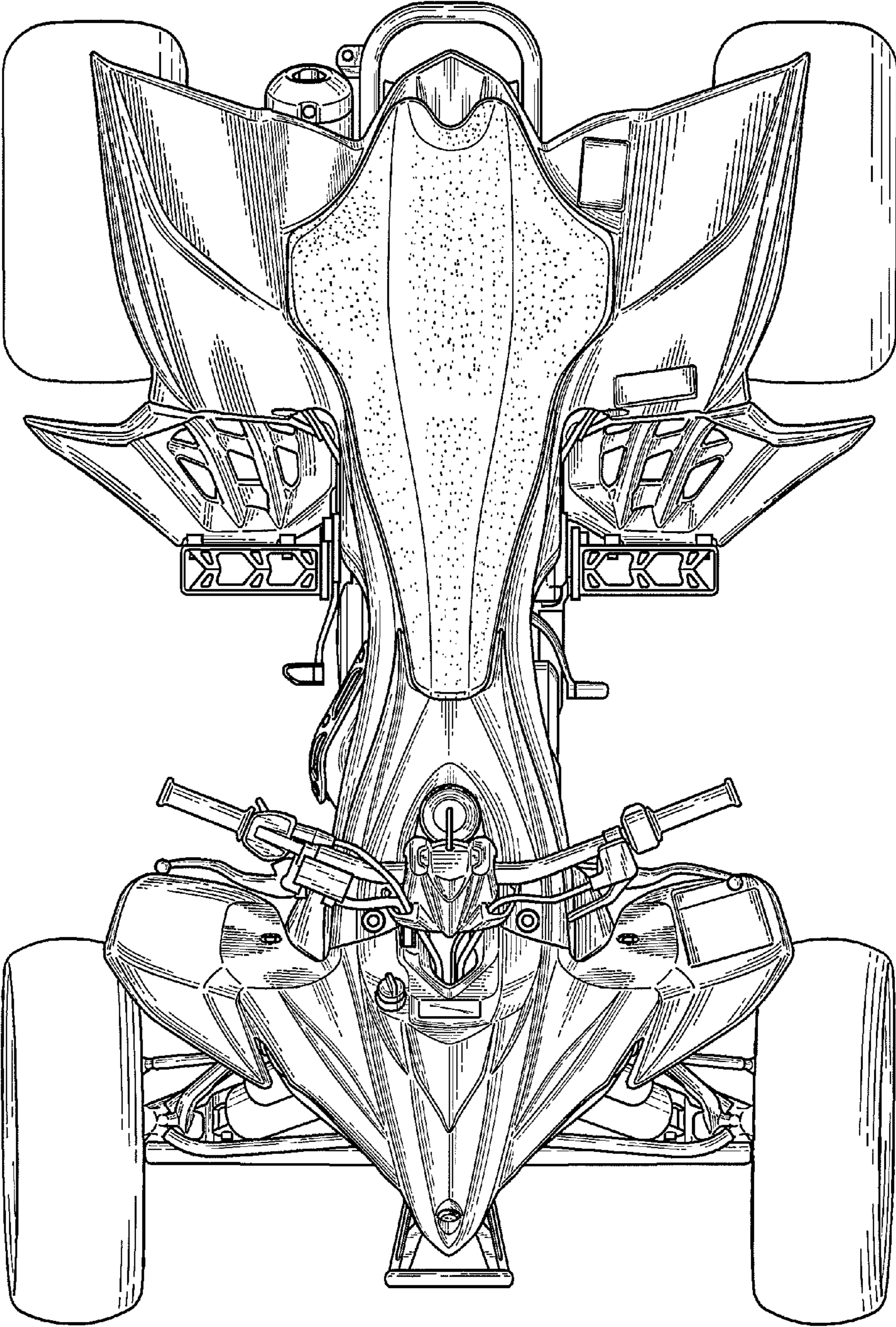


FIG. 7

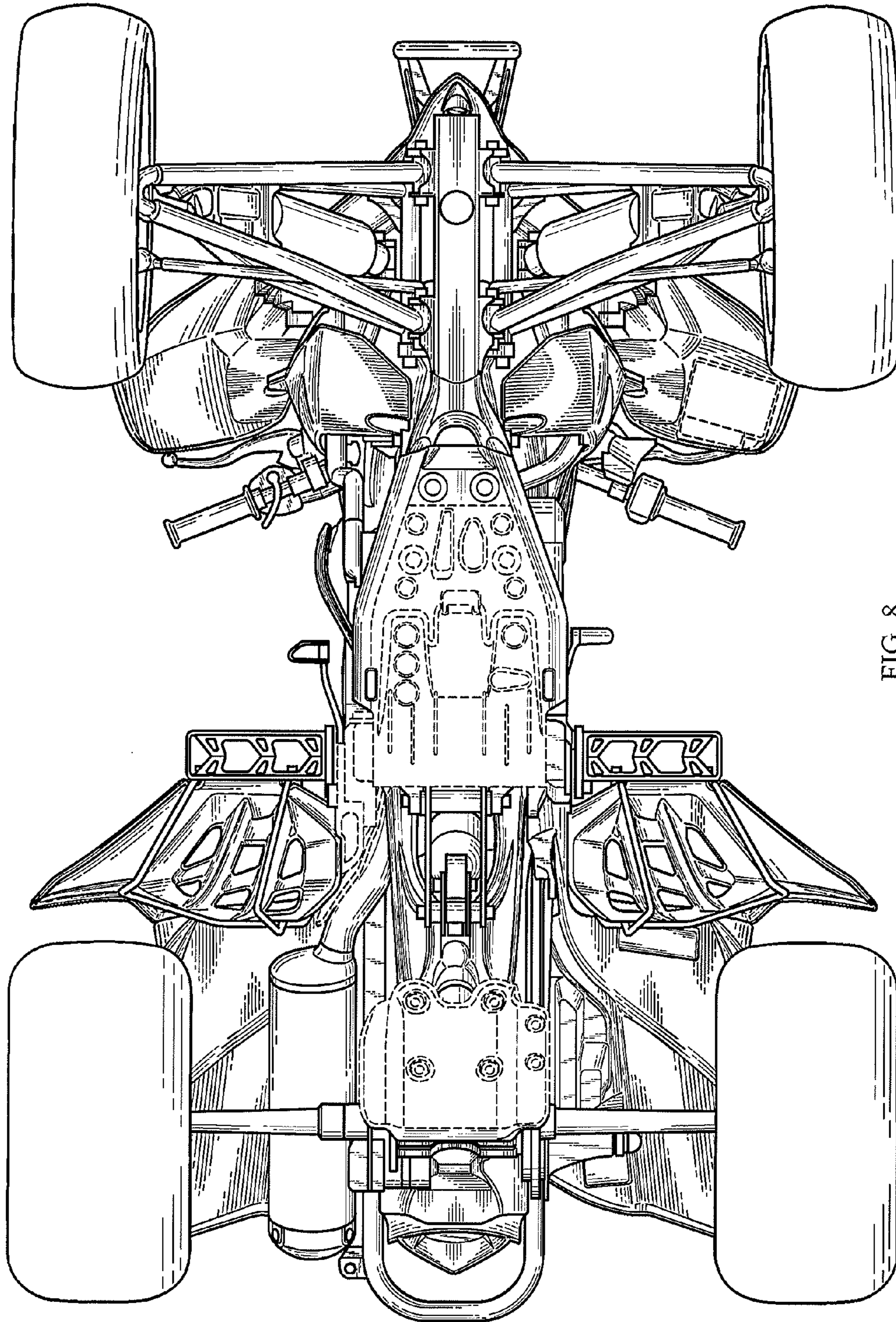


FIG. 8