



US00D720255S

(12) **United States Design Patent**
Gramatikas

(10) **Patent No.:** **US D720,255 S**

(45) **Date of Patent:** **** Dec. 30, 2014**

(54) **BUTTON COVER**

(75) Inventor: **Alexandra S. Gramatikas**, Orlando, FL (US)

(73) Assignee: **ALTR L.L.C.**, Orlando, FL (US)

(**) Term: **14 Years**

(21) Appl. No.: **29/422,794**

(22) Filed: **May 24, 2012**

(51) **LOC (10) Cl.** **02-07**

(52) **U.S. Cl.**

USPC **D11/222**

(58) **Field of Classification Search**

USPC D11/220, 222-241, 200, 40, 95;
24/90.5, 113 MP, 113 R, 102 SL,
24/113 OMP; 63/1.17, 1.18, 33, 14.1,
63/14.17; 40/1.5, 315

See application file for complete search history.

(56) **References Cited**

U.S. PATENT DOCUMENTS

581,111 A * 4/1897 Goodwin 24/113 MP
834,943 A * 11/1906 Stienberg 24/90.5
1,678,265 A * 7/1928 Myers et al. 24/113 MP

(Continued)

Primary Examiner — T. Chase Nelson

Assistant Examiner — Mark Cavanna

(74) *Attorney, Agent, or Firm* — Nixon & Vanderhye PC

(57) **CLAIM**

The ornamental design for a button cover, as shown and described.

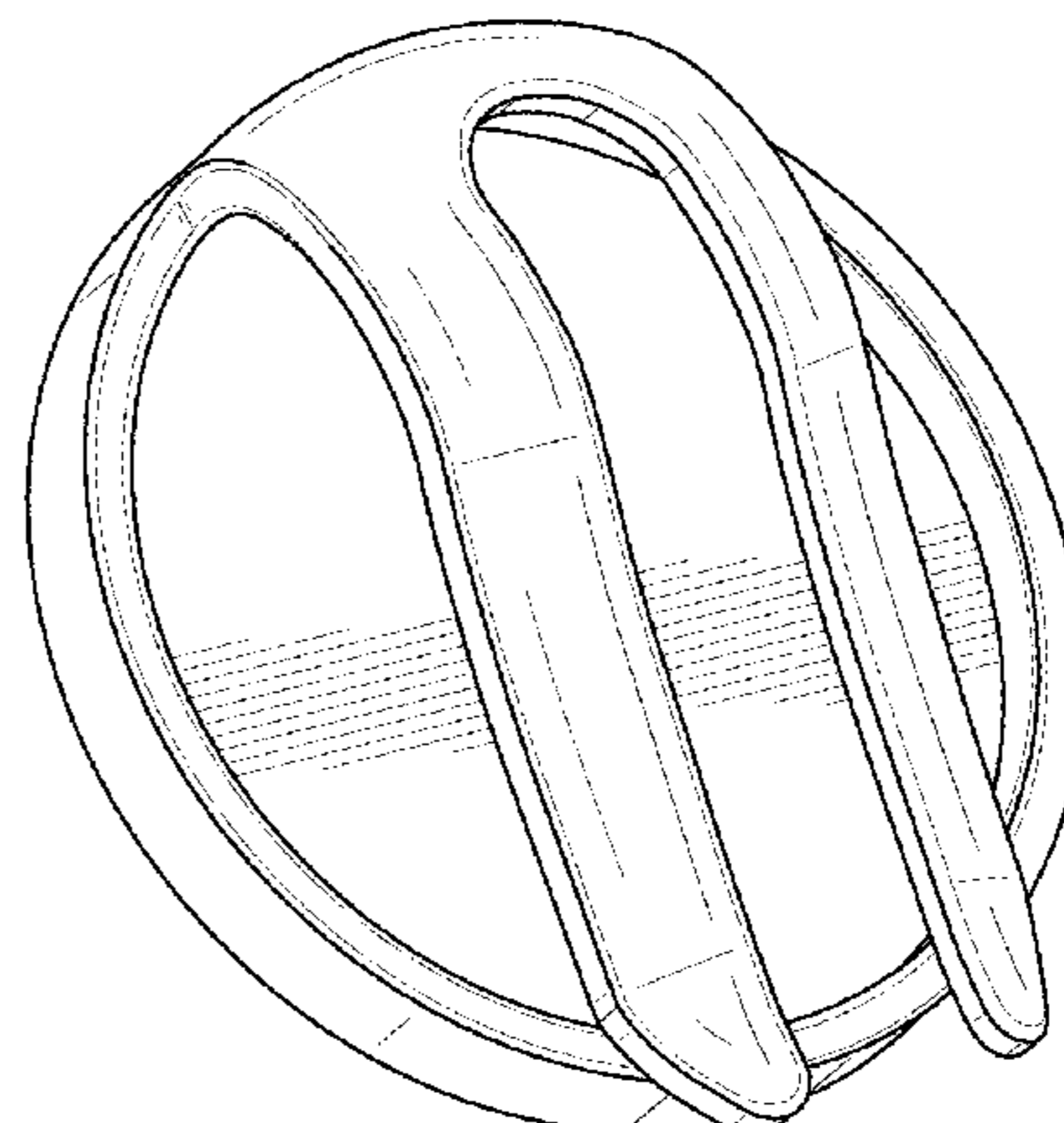
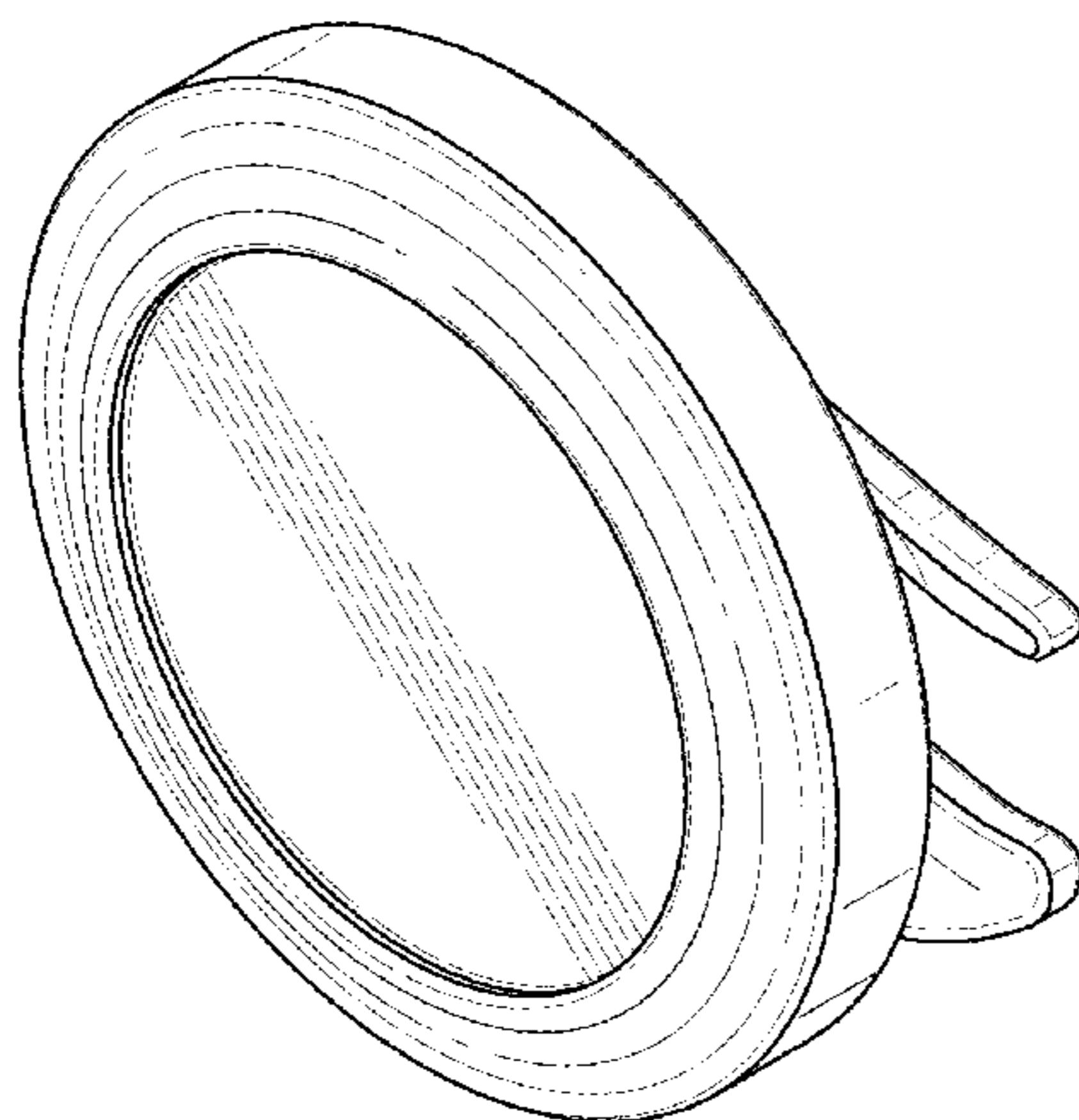
DESCRIPTION

FIG. 1 is a front perspective view of a button cover showing my new design in accordance with a first embodiment;
FIG. 2 is a front elevation view thereof;
FIG. 3 is a rear elevation view thereof;

FIG. 4 is a top plan view thereof;
FIG. 5 is a bottom plan view thereof;
FIG. 6 is a cross-sectional view thereof, through the line identified as 6-6 shown in FIG. 3;
FIG. 7 is a right side view thereof;
FIG. 8 is a left side view thereof;
FIG. 9 is a rear perspective view thereof;
FIG. 10 is a front perspective view of a button cover in accordance with a second embodiment;
FIG. 11 is a front elevation view thereof;
FIG. 12 is a rear elevation view thereof;
FIG. 13 is a top plan view thereof;
FIG. 14 is a bottom plan view thereof;
FIG. 15 is a cross-sectional view thereof, through the line identified as 15-15 shown in FIG. 12;
FIG. 16 is a right side view thereof;
FIG. 17 is a left side view thereof;
FIG. 18 is a rear perspective view thereof;
FIG. 19 is a front perspective view of a button cover in accordance with a third embodiment;
FIG. 20 is a front elevation view thereof, the rear elevation being the same as the FIG. 3 view;
FIG. 21 is a top plan view thereof;
FIG. 22 is a bottom plan view thereof;
FIG. 23 is a right side view thereof;
FIG. 24 is a left side view thereof;
FIG. 25 is a rear perspective view thereof;
FIG. 26 FIG. 19 is a front perspective view of a button cover in accordance with a fourth embodiment;
FIG. 27 is a front elevation view thereof, the rear elevation being the same as the FIG. 12 view;
FIG. 28 is a top plan view thereof;
FIG. 29 is a bottom plan view thereof;
FIG. 30 is a right side view thereof;
FIG. 31 is a left side view thereof; and,
FIG. 32 is a rear perspective view thereof.

The dashed lines shown in FIGS. 1-98 represent environmental structure and form no part of the claimed design. The dotted lines shown in the Figures represent the borders between claimed subject matter and unclaimed subject matter and form no part of the claimed design.

1 Claim, 20 Drawing Sheets



(56)

References Cited

U.S. PATENT DOCUMENTS

1,774,033 A * 8/1930 Harrison et al. 24/113 MP
 2,577,723 A 12/1951 Groh et al.
 2,751,654 A * 6/1956 Armbruster 24/113 MP
 2,880,487 A * 4/1959 Ryan 24/113 MP
 3,316,601 A * 5/1967 Ryan 24/113 R
 3,343,230 A * 9/1967 Darvie 24/113 R
 3,353,231 A 11/1967 Levine
 3,543,354 A 12/1970 Schuchman, Sr. et al.
 3,777,336 A * 12/1973 Anderson 24/113 MP
 3,934,313 A * 1/1976 Hocq 24/113 MP
 4,539,731 A 9/1985 Torrini
 4,969,241 A * 11/1990 Griffin 24/113 R
 5,033,168 A 7/1991 Sbragi

5,161,285 A 11/1992 Jerjian
 5,337,584 A * 8/1994 Angeli 63/1.17
 5,379,611 A * 1/1995 Impagliazzo 63/1.17
 5,394,719 A * 3/1995 Fang 63/33
 5,621,951 A * 4/1997 Gould 24/90.5
 D396,202 S * 7/1998 Lindsay D11/228
 5,901,417 A * 5/1999 Alexiou 24/90.5
 6,035,494 A 3/2000 Duke et al.
 D475,322 S * 6/2003 Ouellette et al. D11/222
 2004/0226145 A1 * 11/2004 Ouellette et al. 24/113 MP
 2008/0313864 A1 12/2008 Suter
 2011/0000052 A1 * 1/2011 Suter 24/113 R
 2011/0277502 A1 * 11/2011 Welikson 63/1.18
 2012/0117763 A1 * 5/2012 Patel 24/102 SL
 2012/0240356 A1 * 9/2012 Nathanson 24/113 R

* cited by examiner

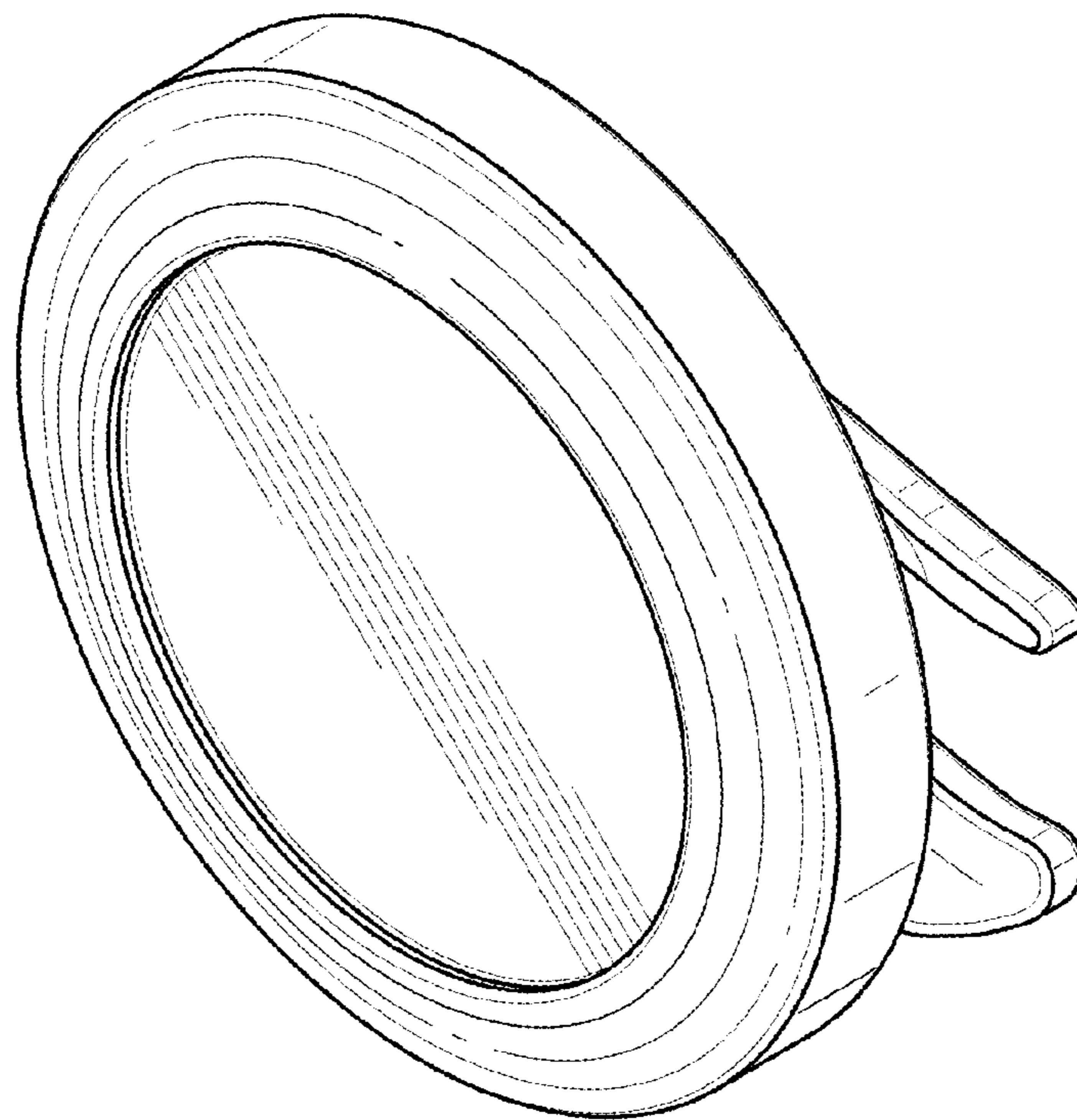


Fig. 1

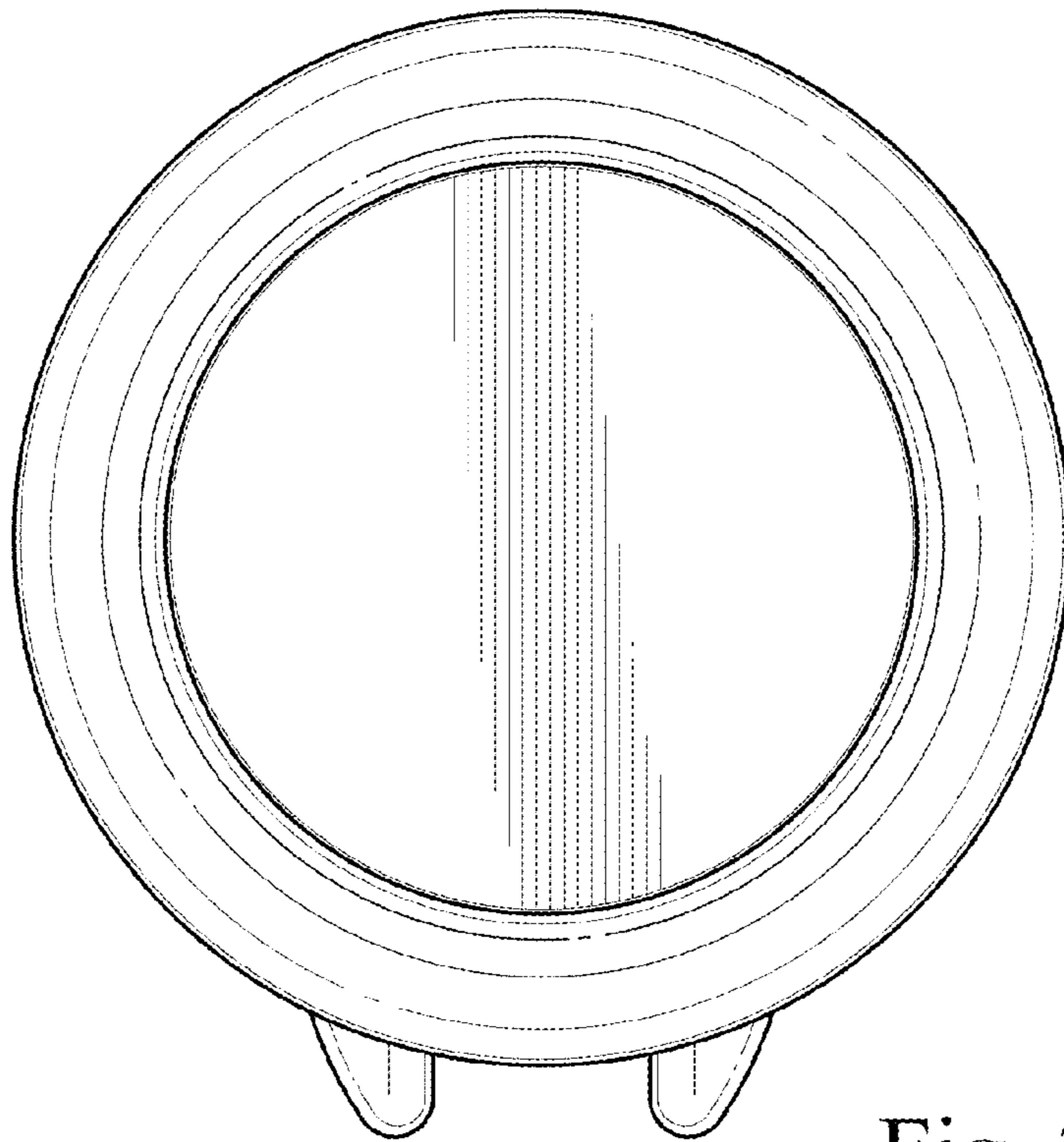


Fig. 2

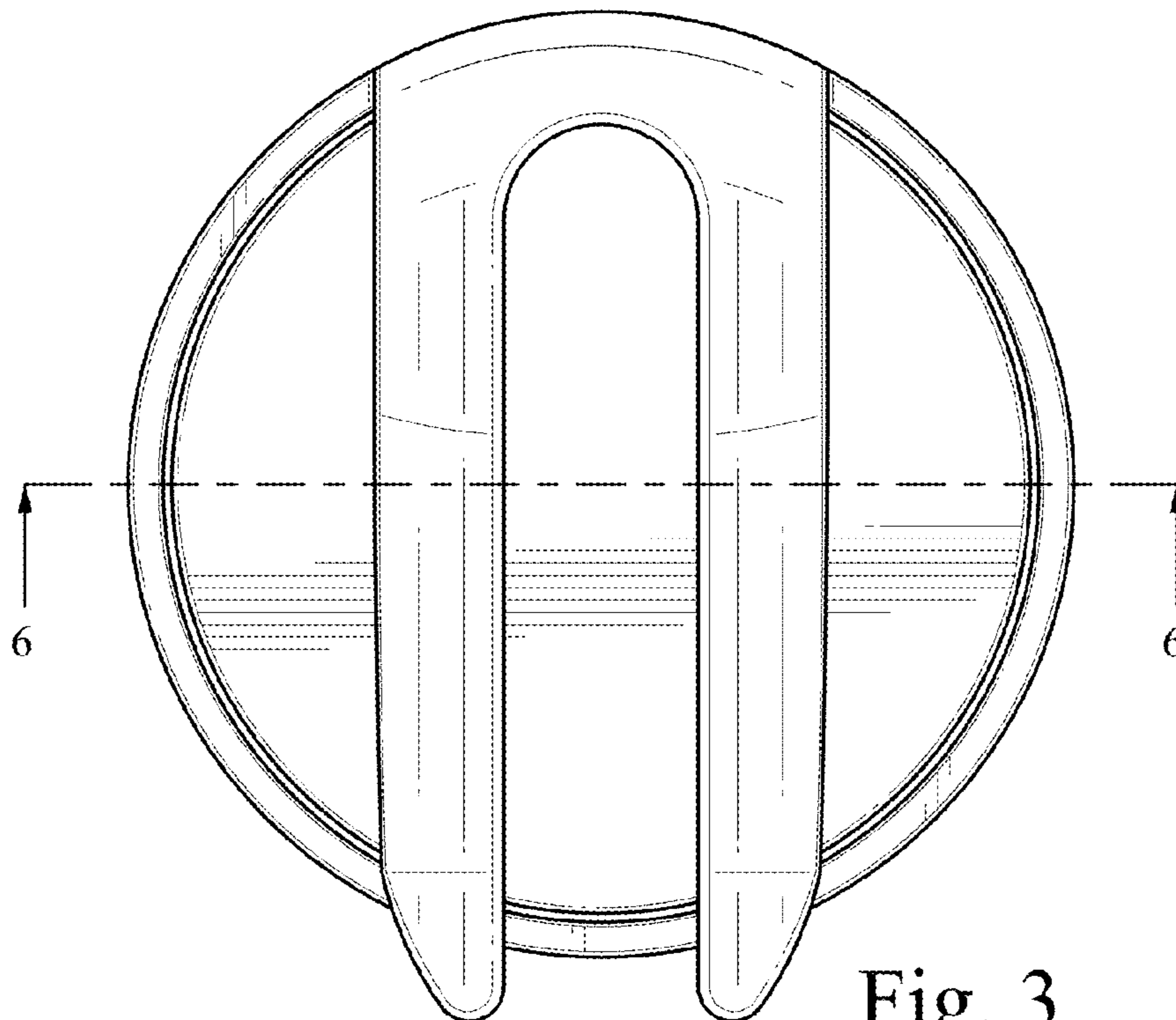


Fig. 3

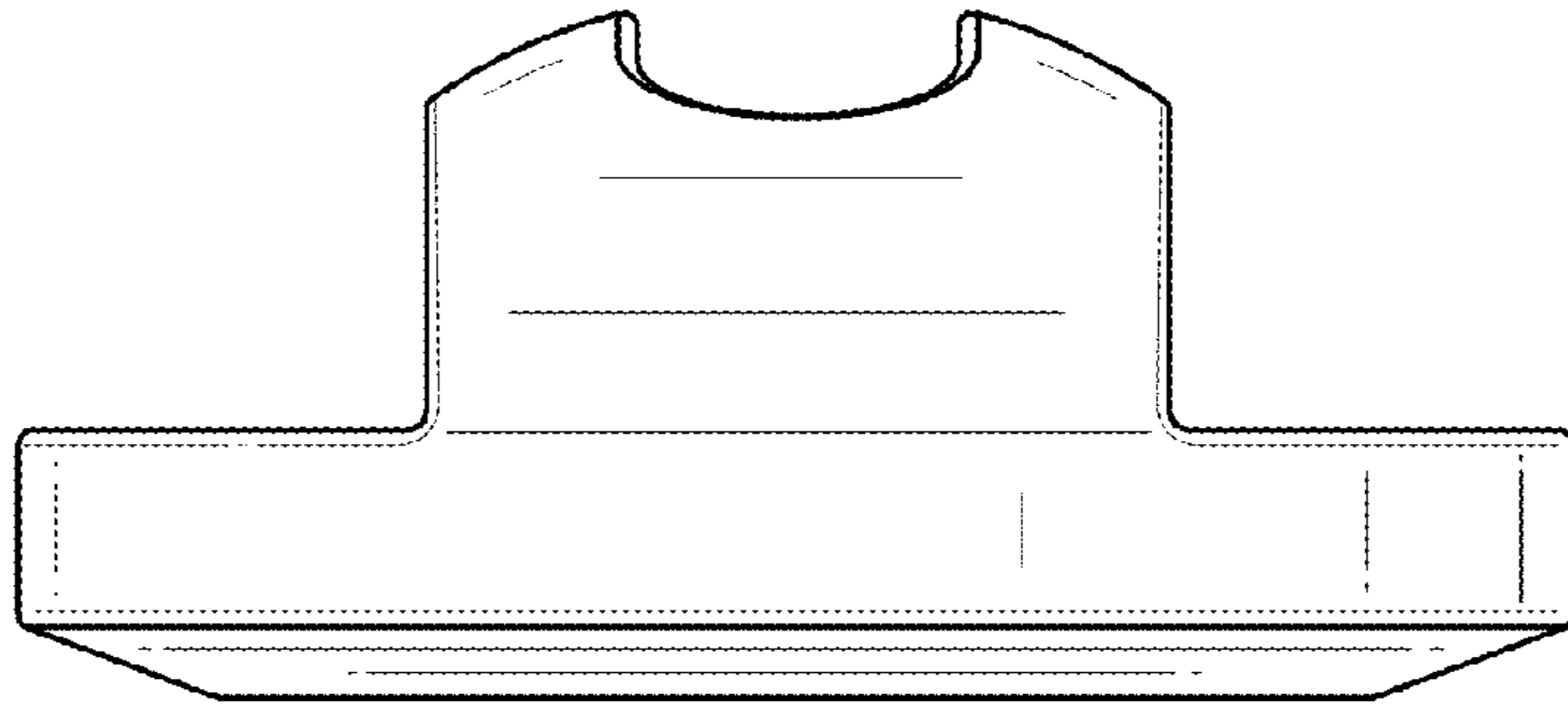


Fig. 4

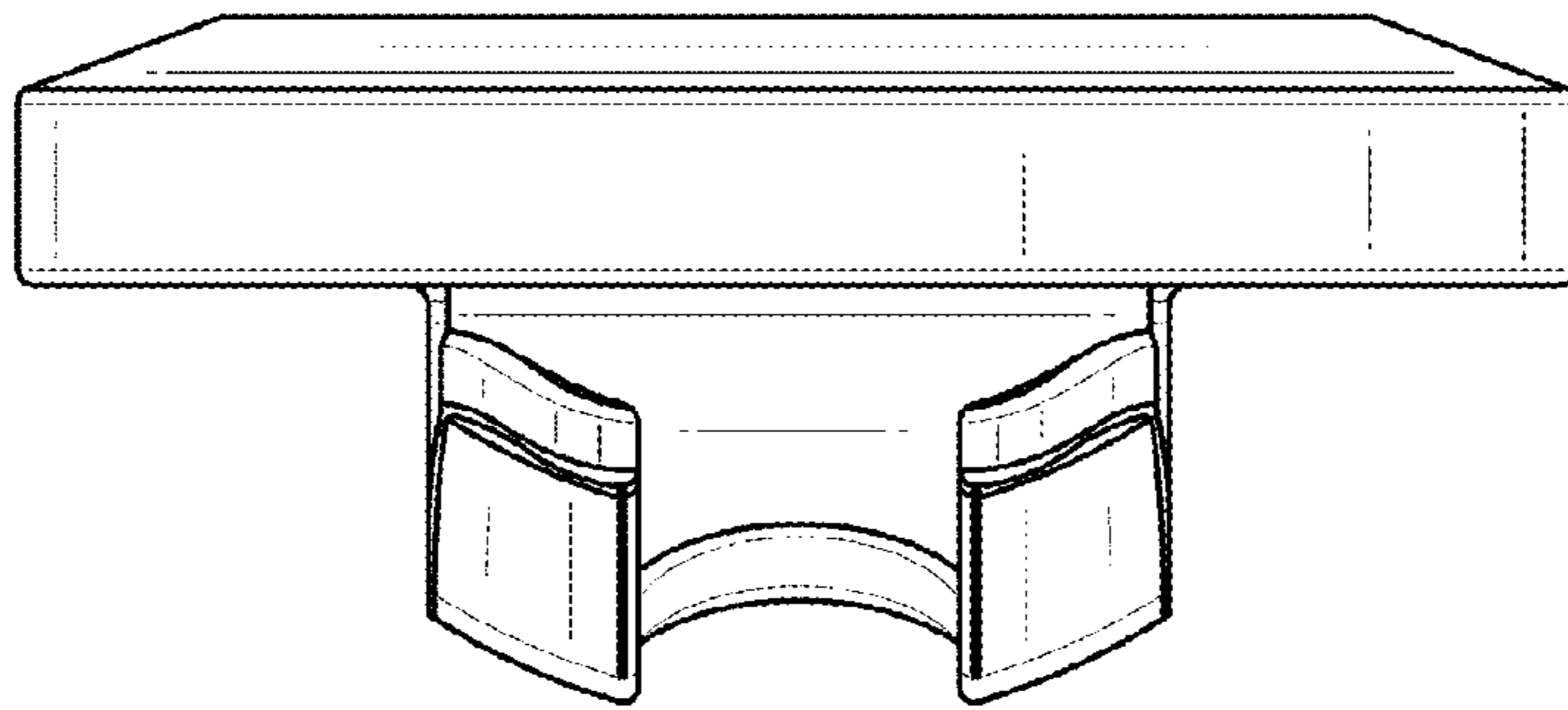


Fig. 5

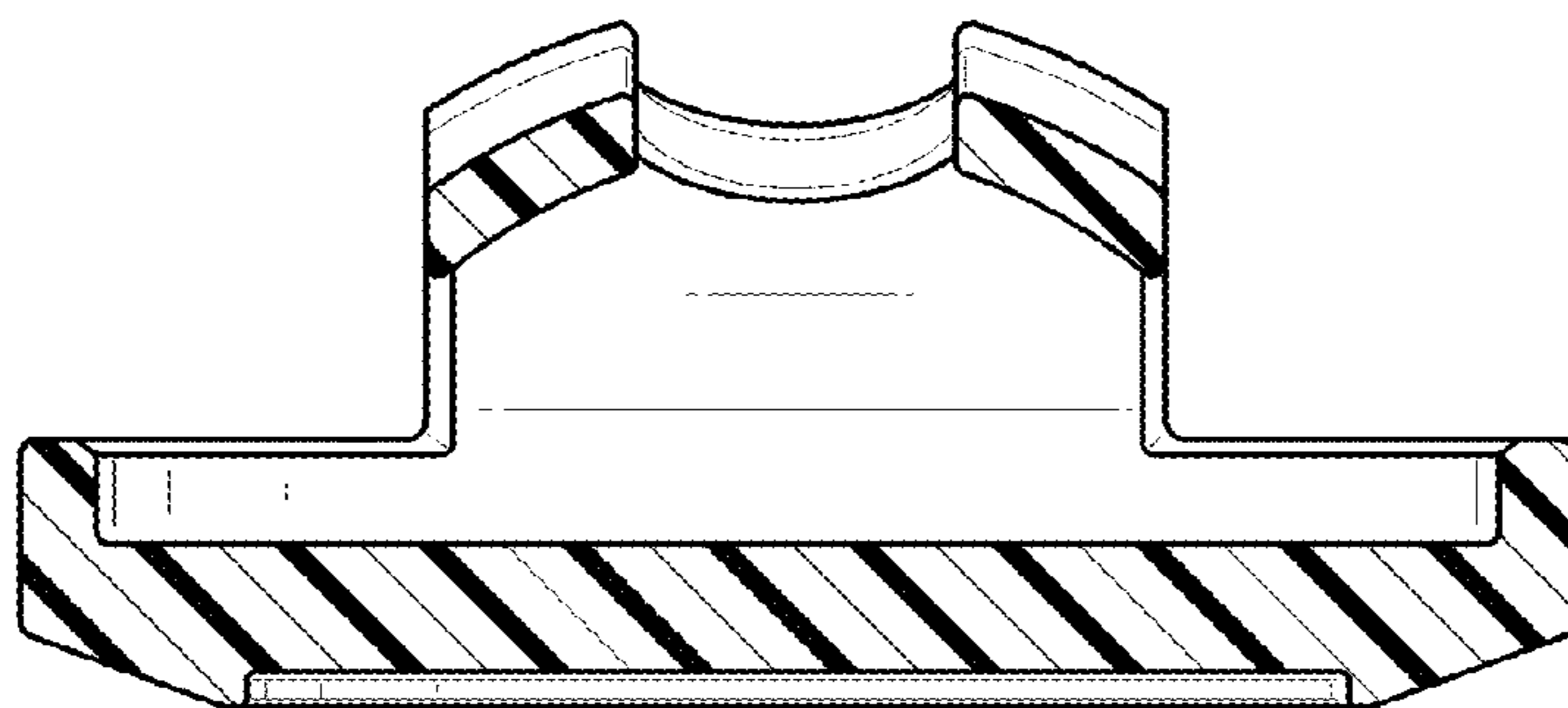


Fig. 6

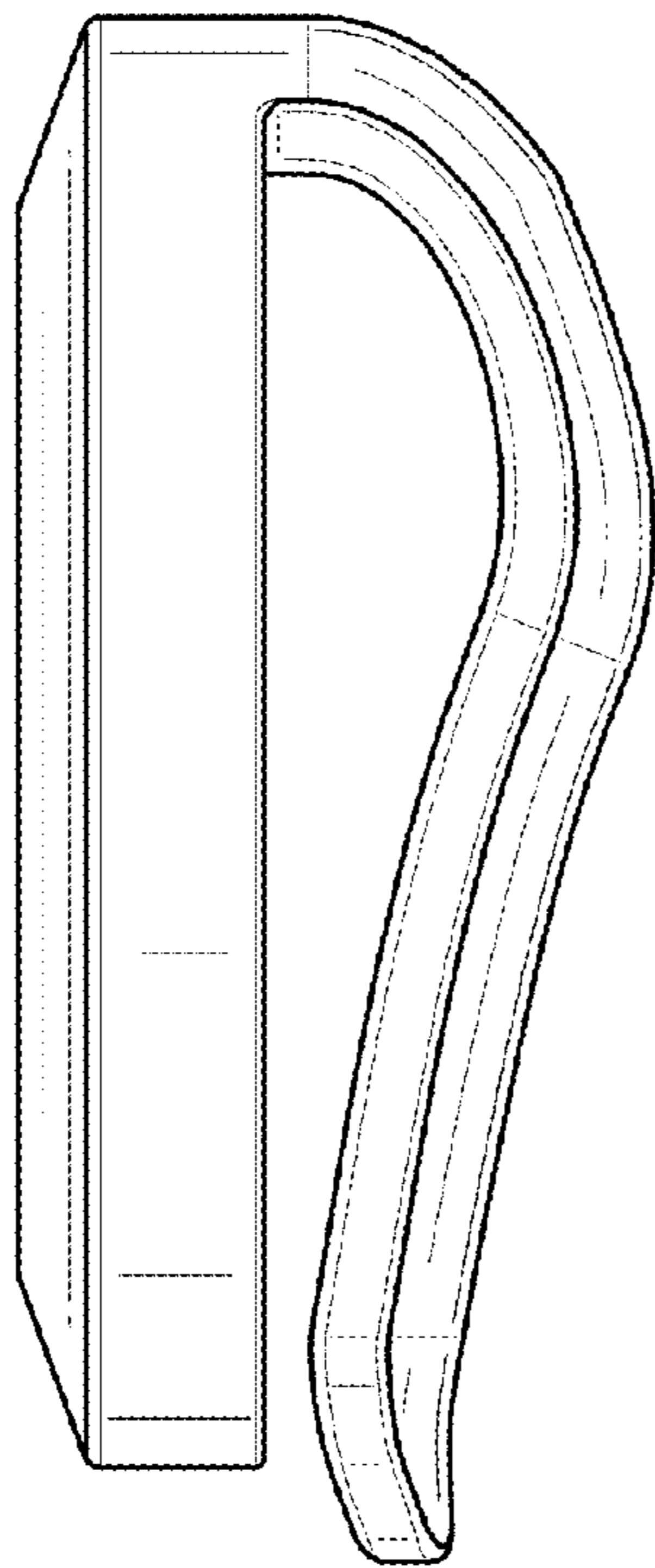


Fig. 7

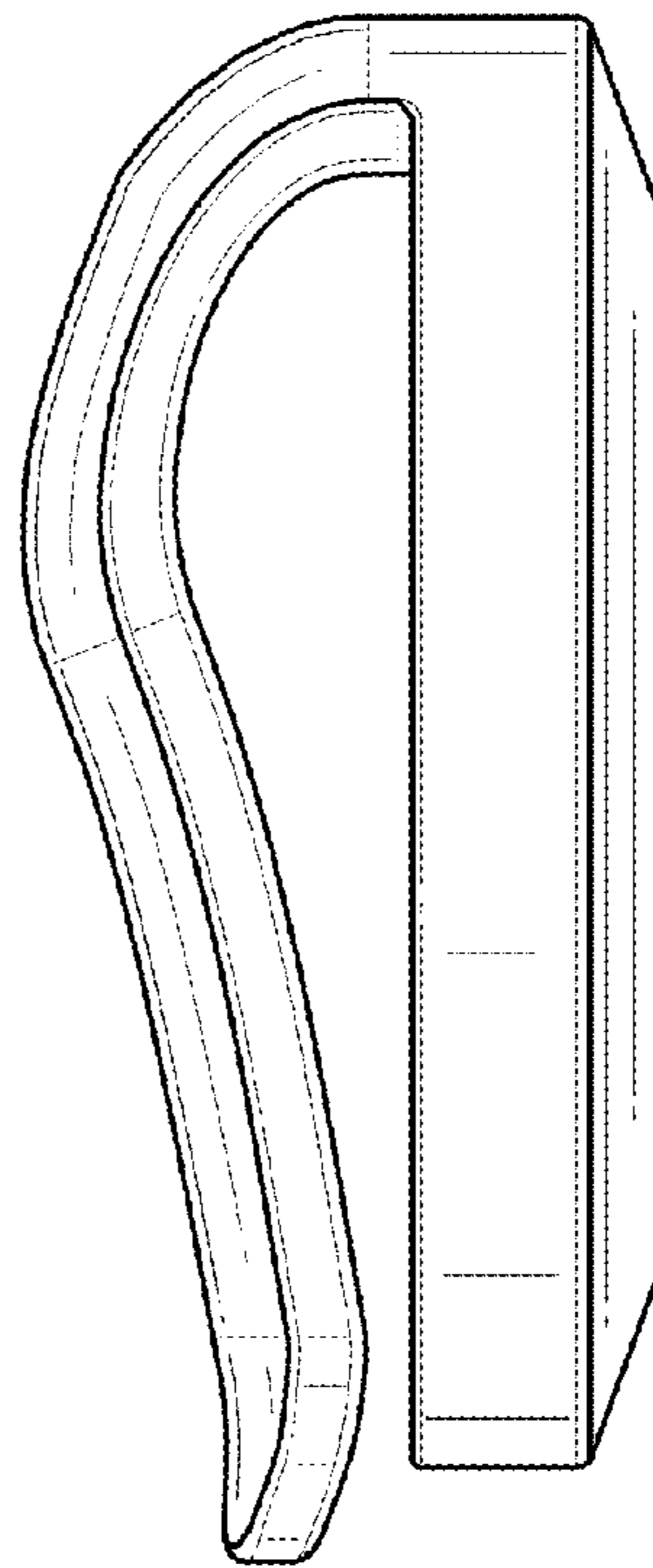


Fig. 8

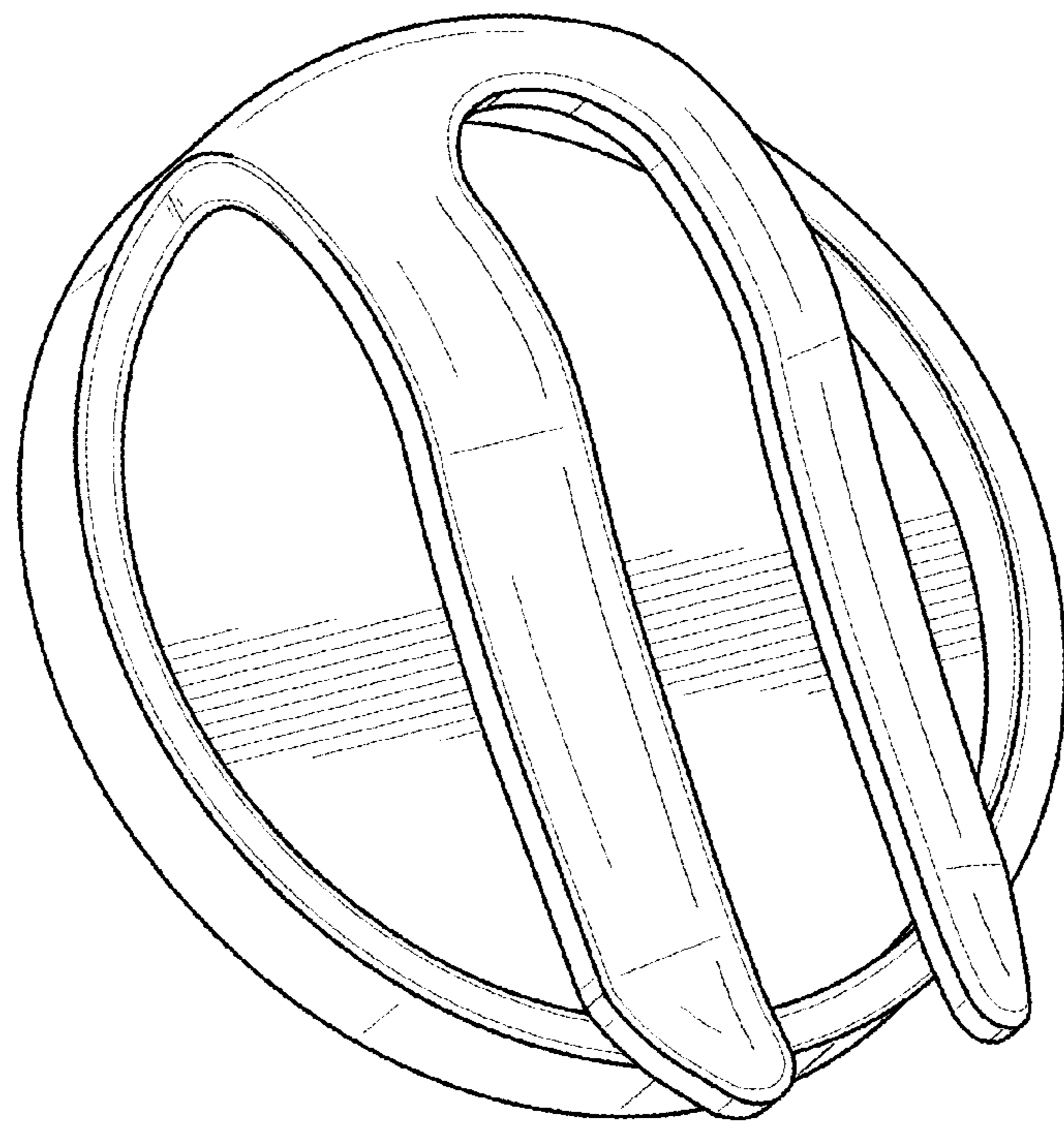


Fig. 9

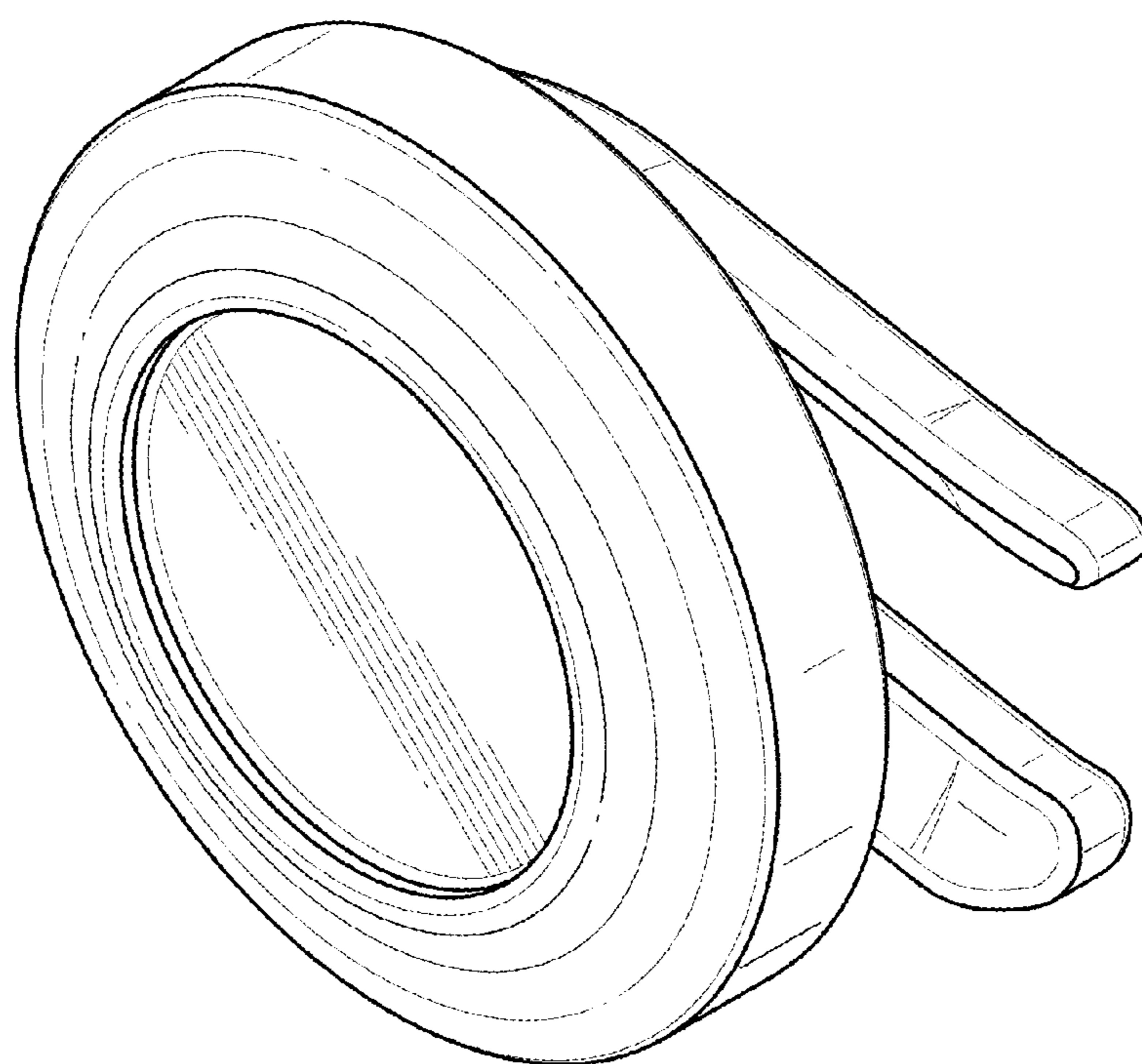


Fig. 10

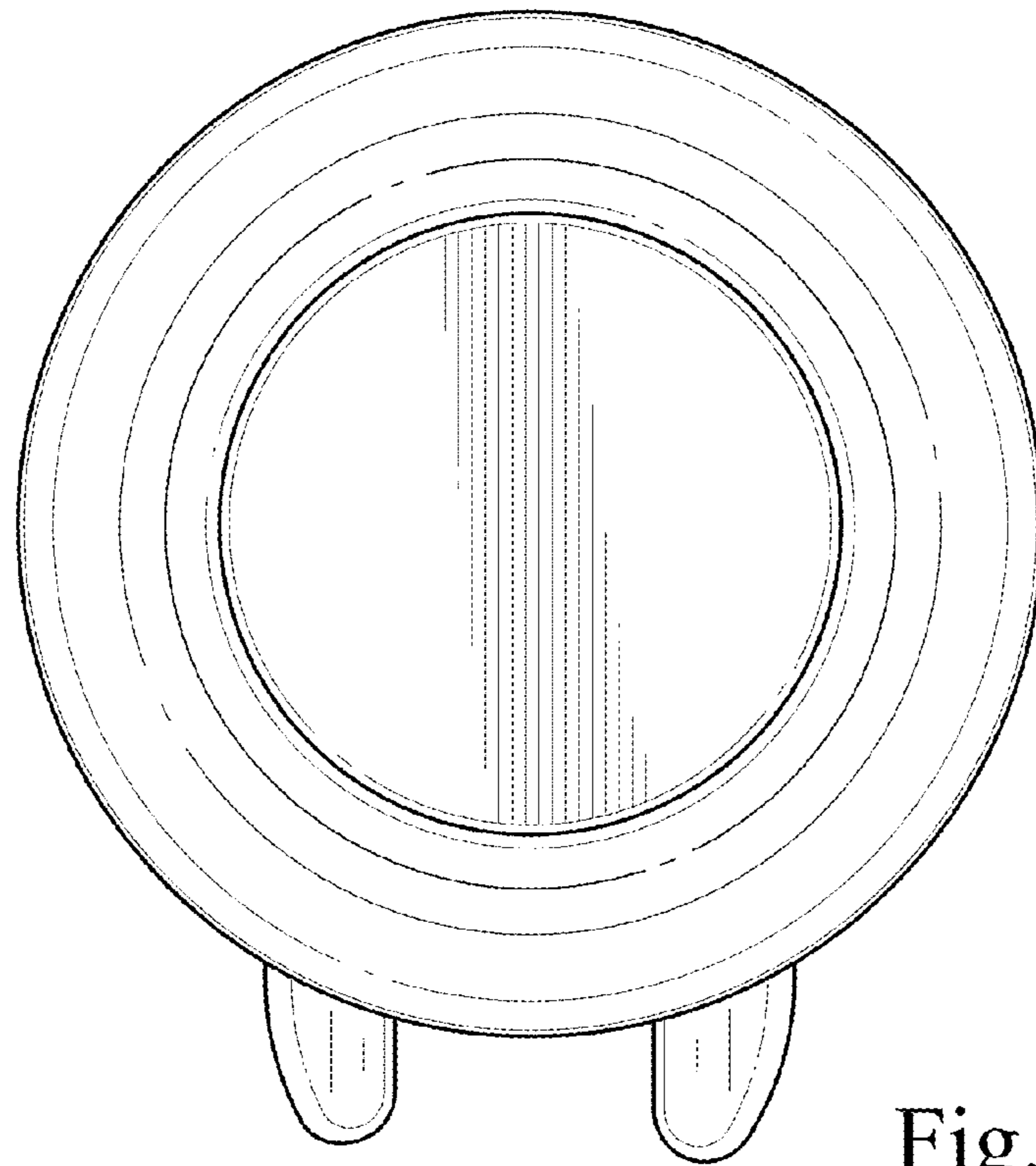


Fig. 11

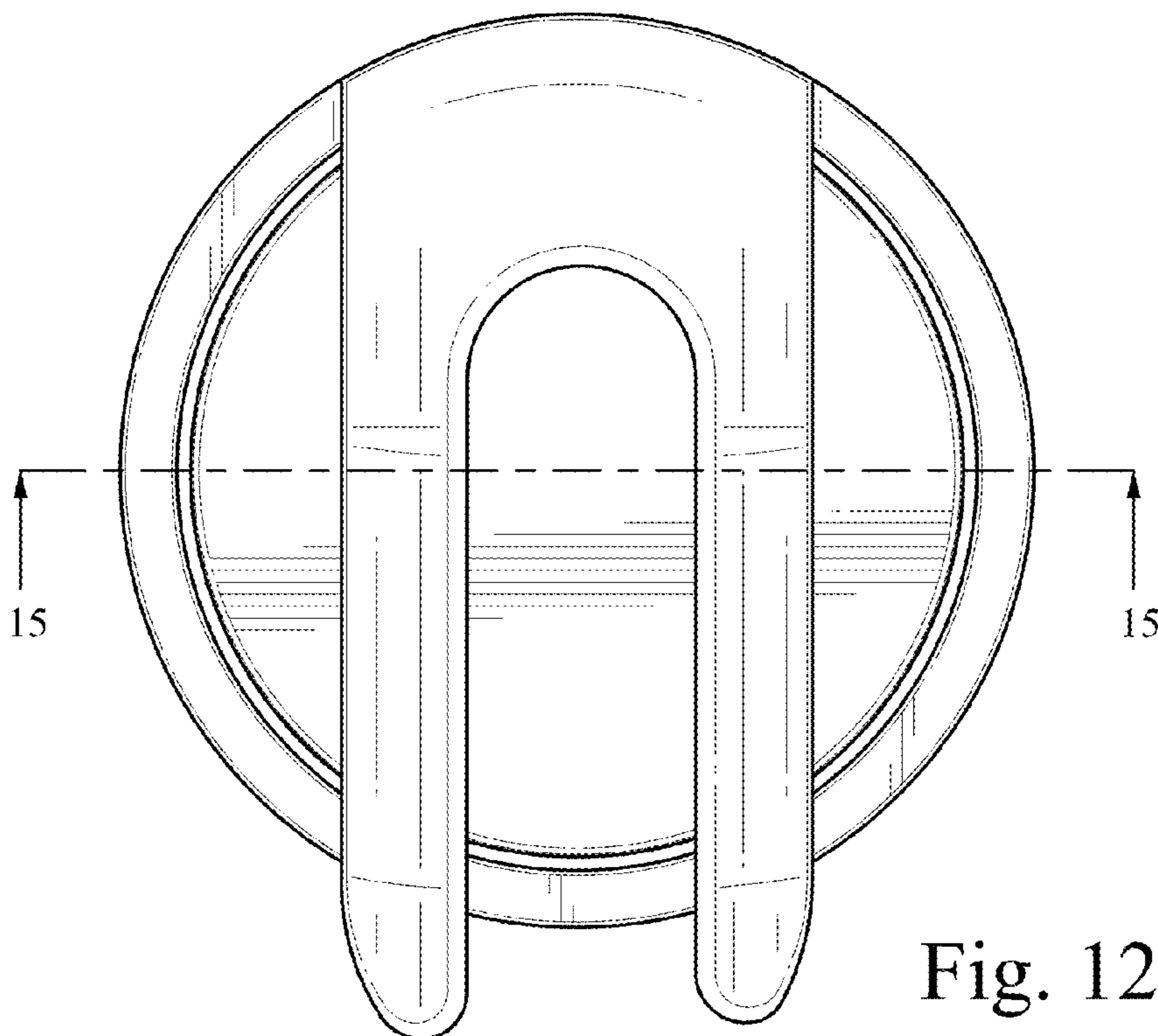


Fig. 12

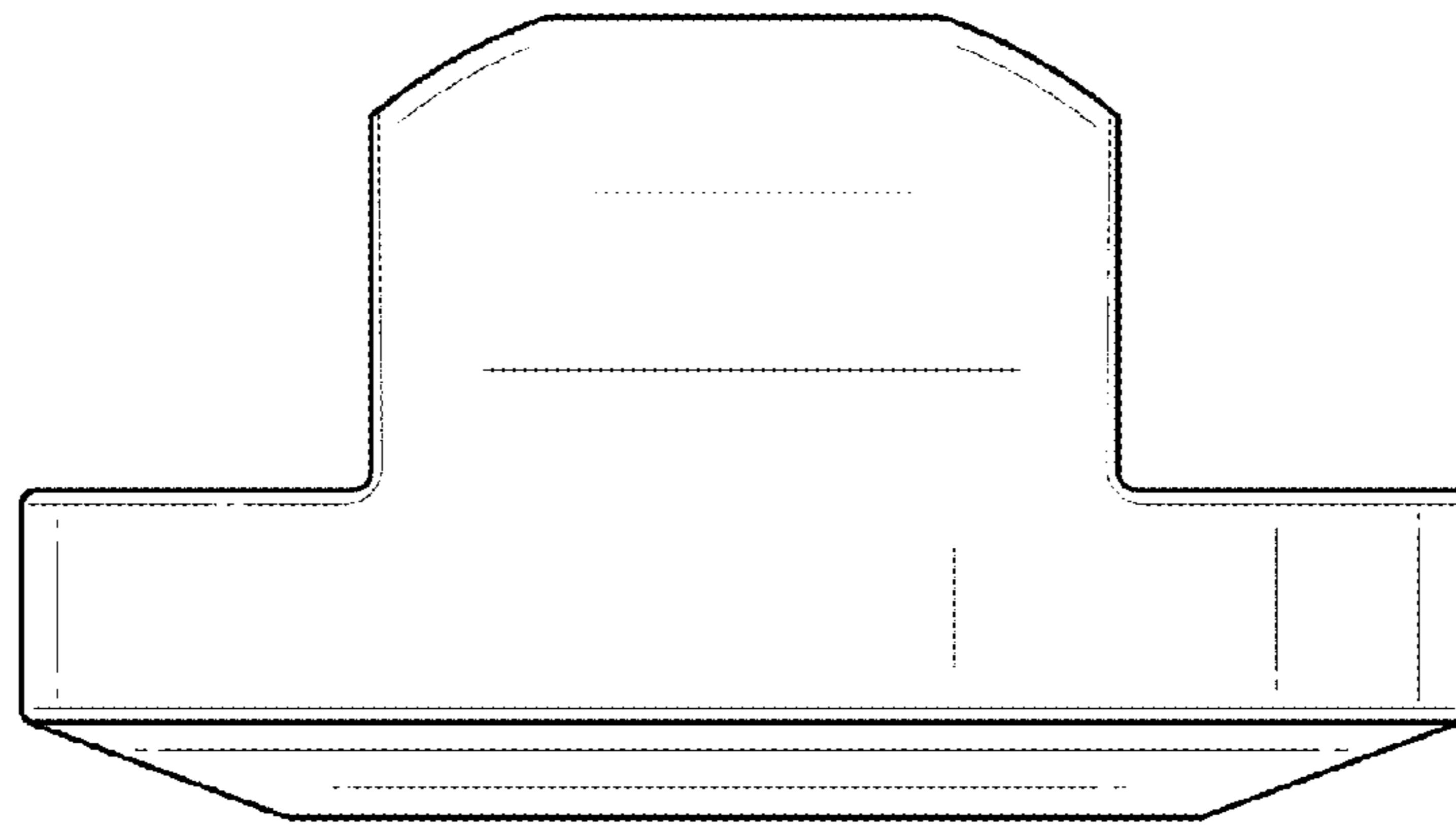


Fig. 13

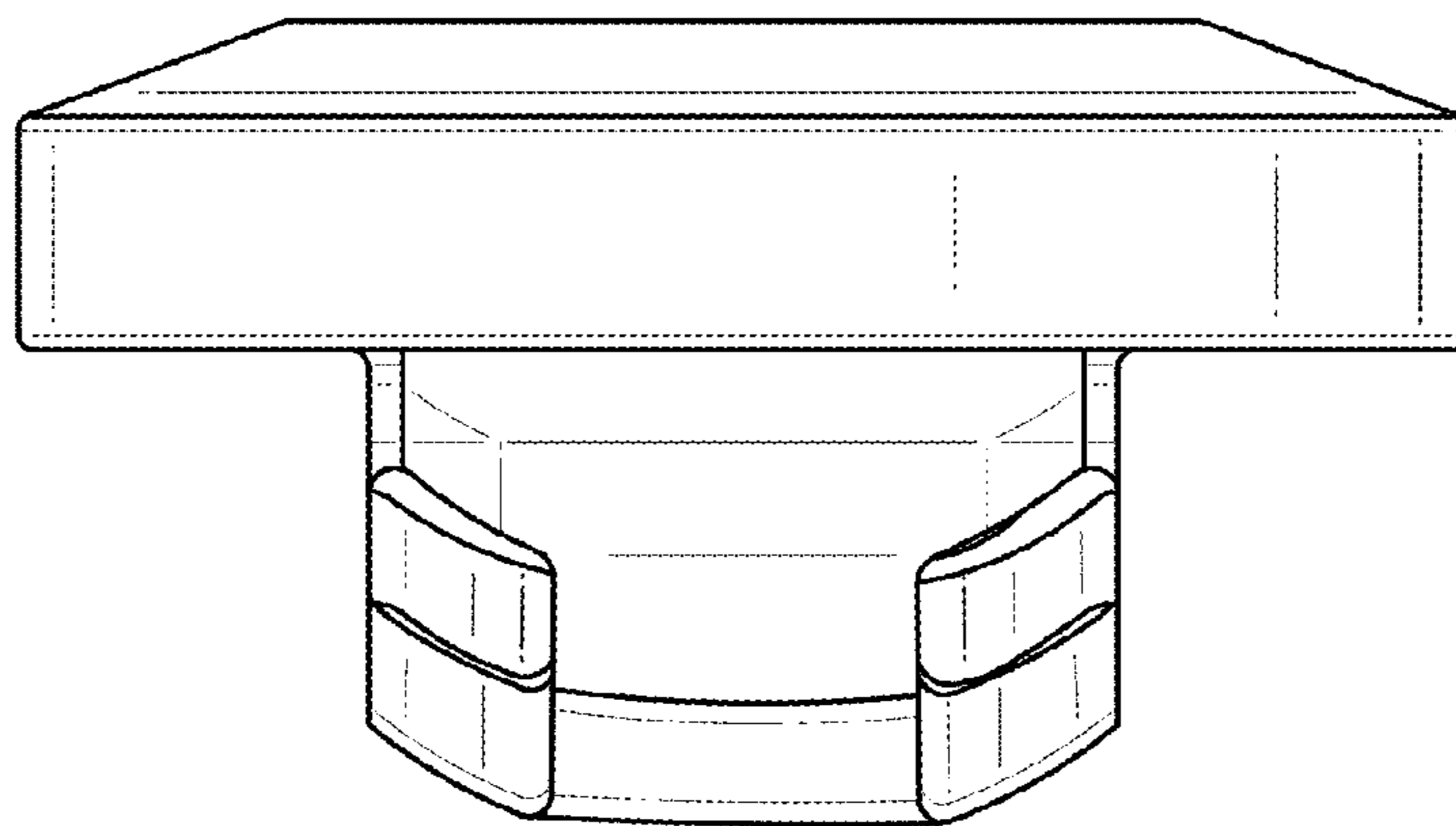


Fig. 14

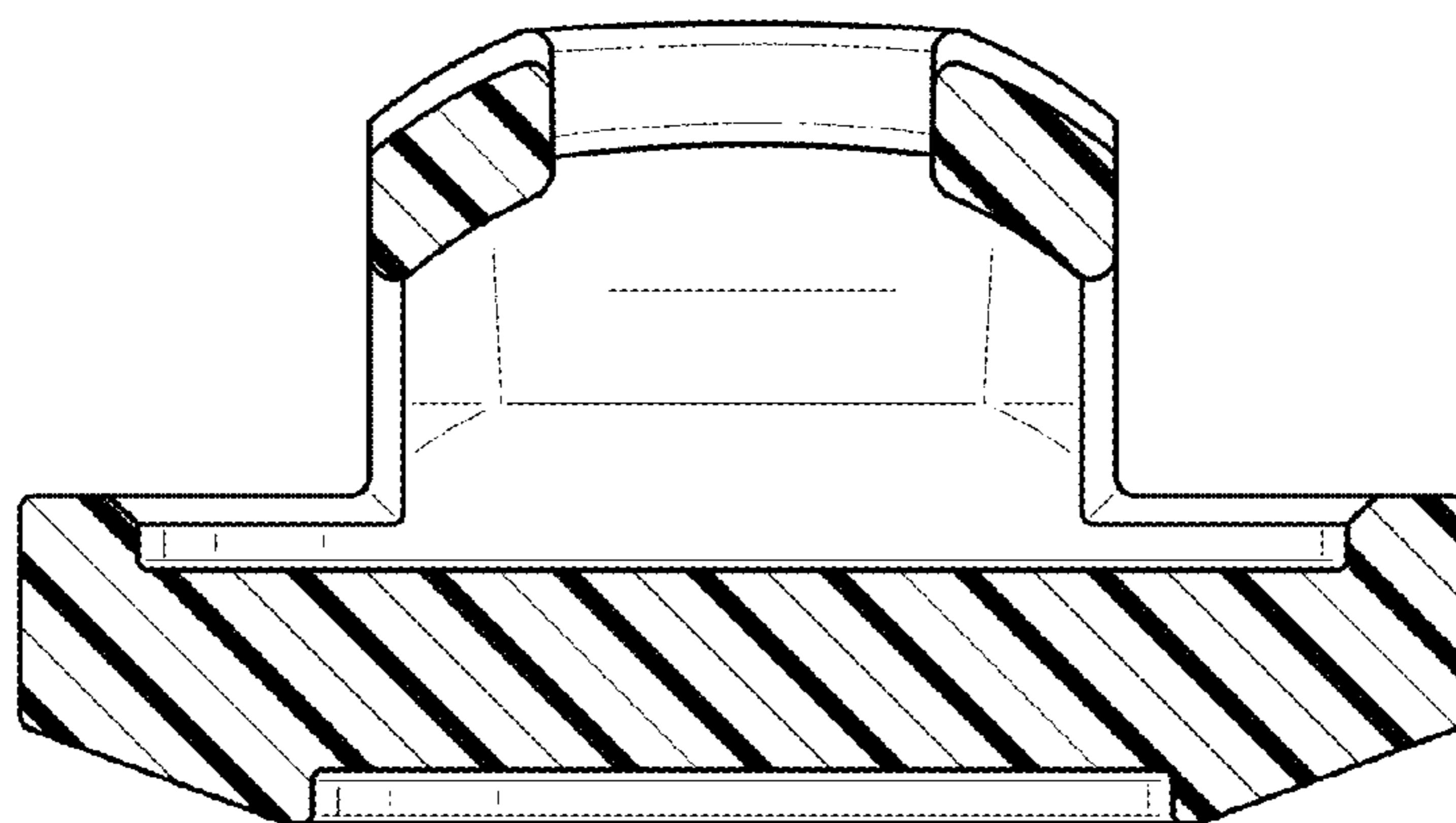


Fig. 15

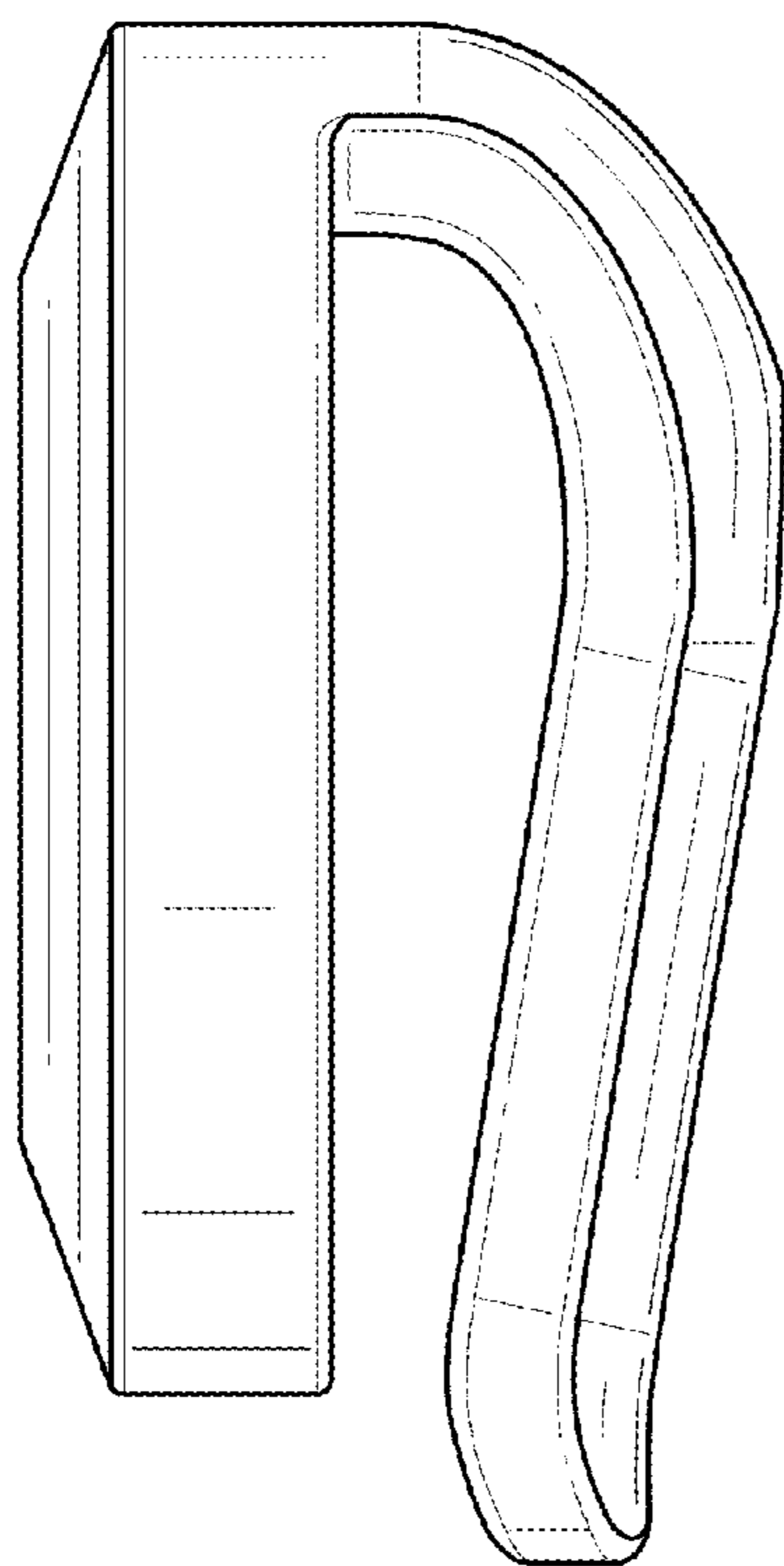


Fig. 16

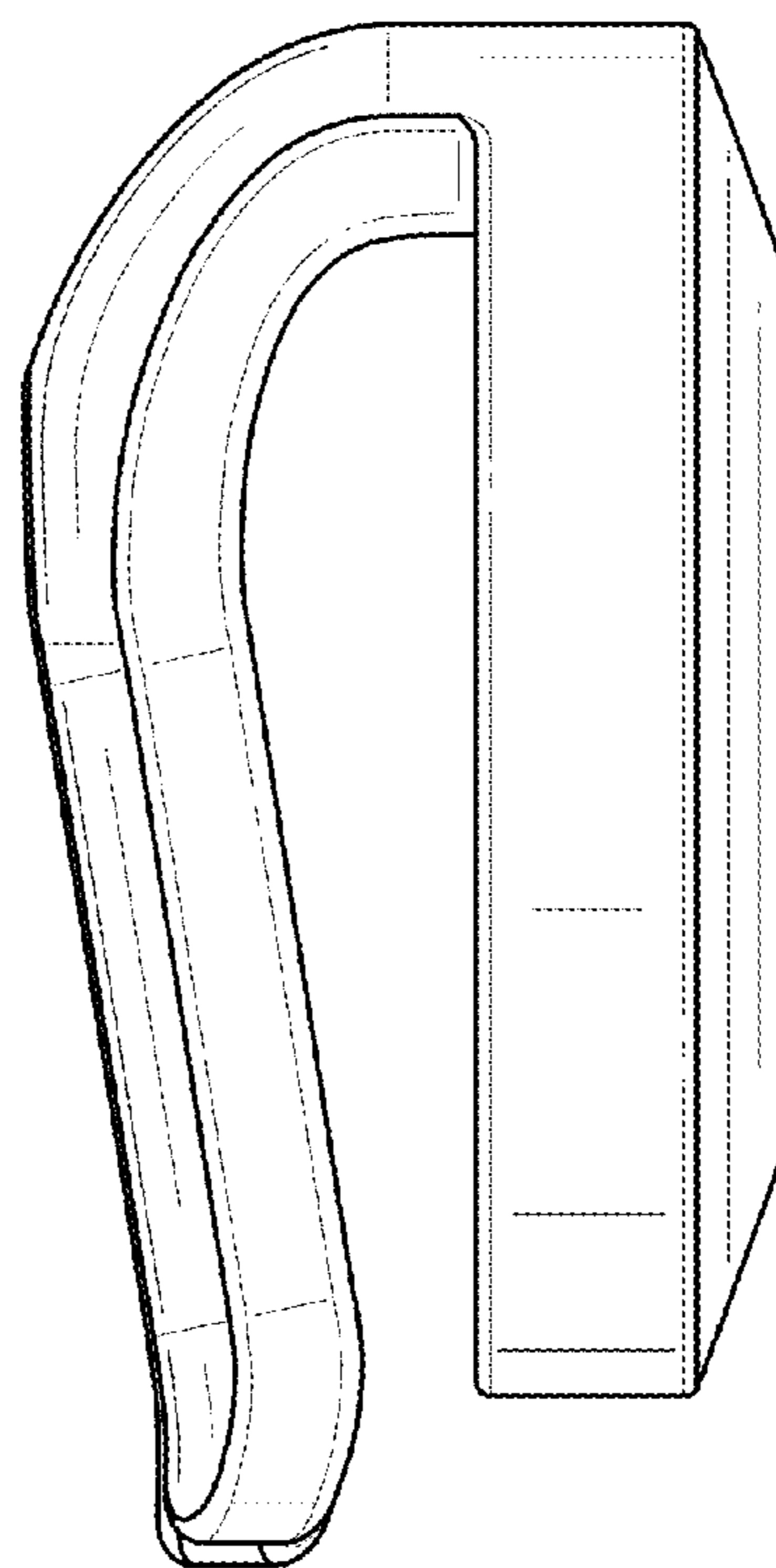


Fig. 17

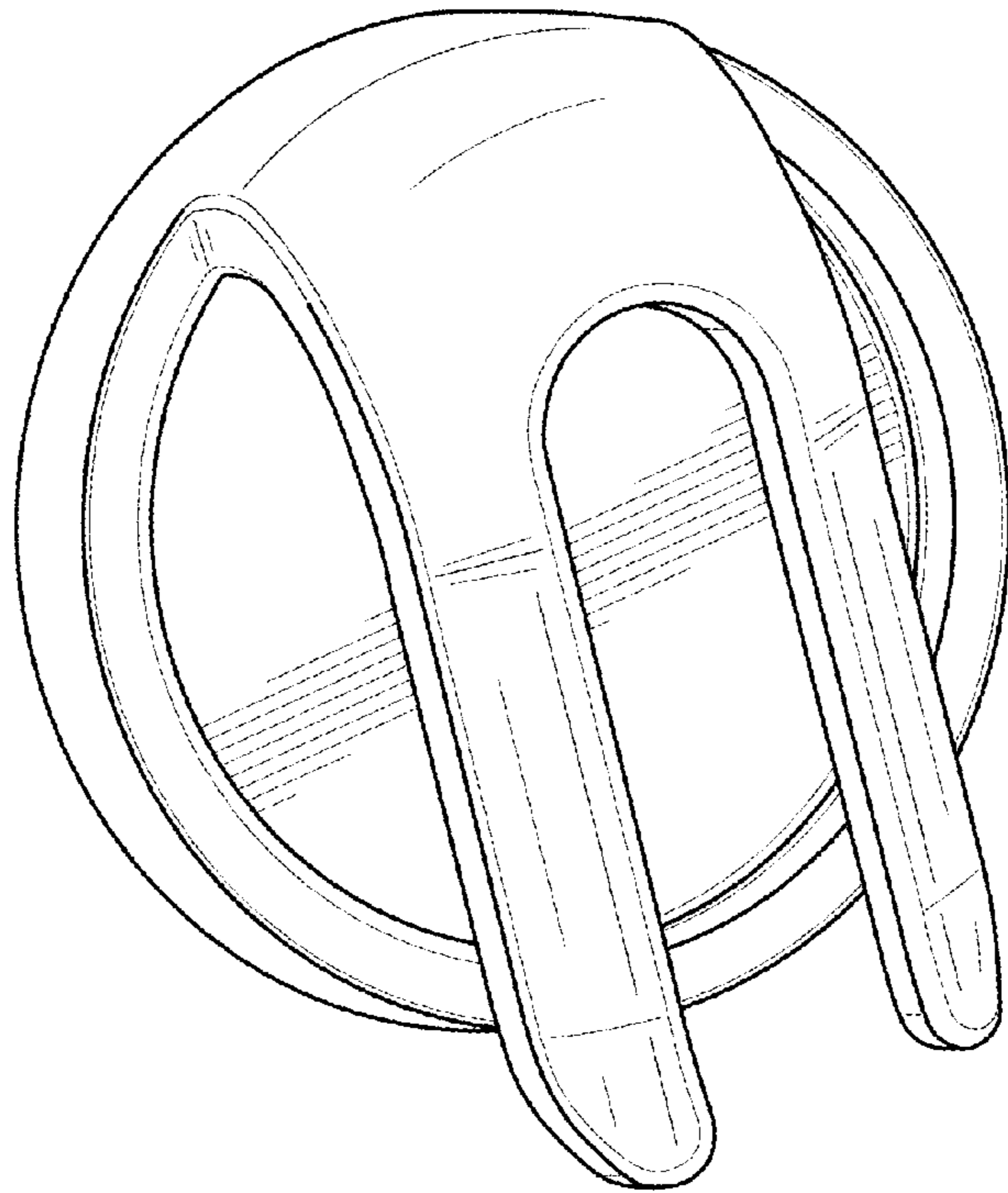


Fig. 18

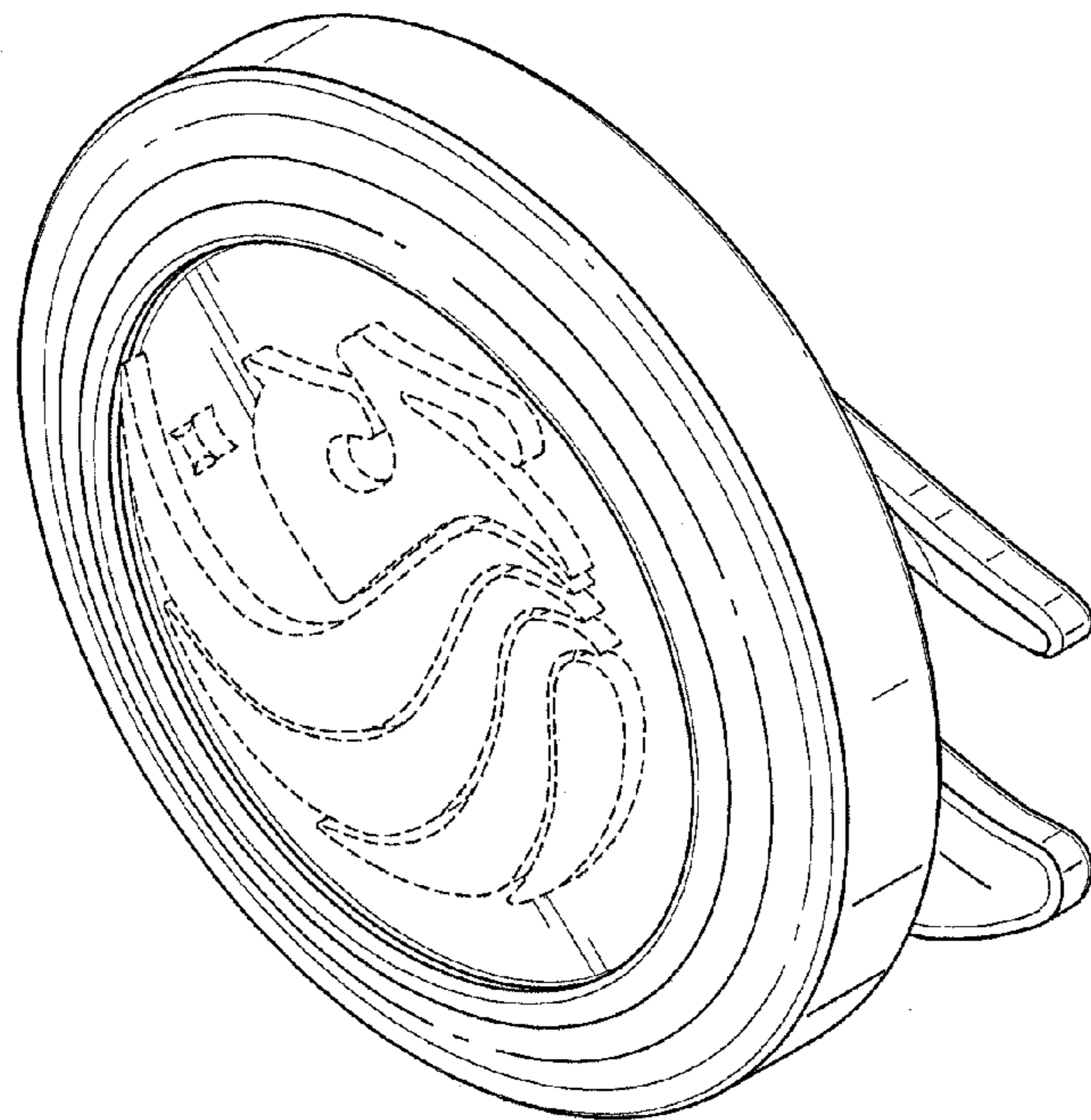


Fig. 19

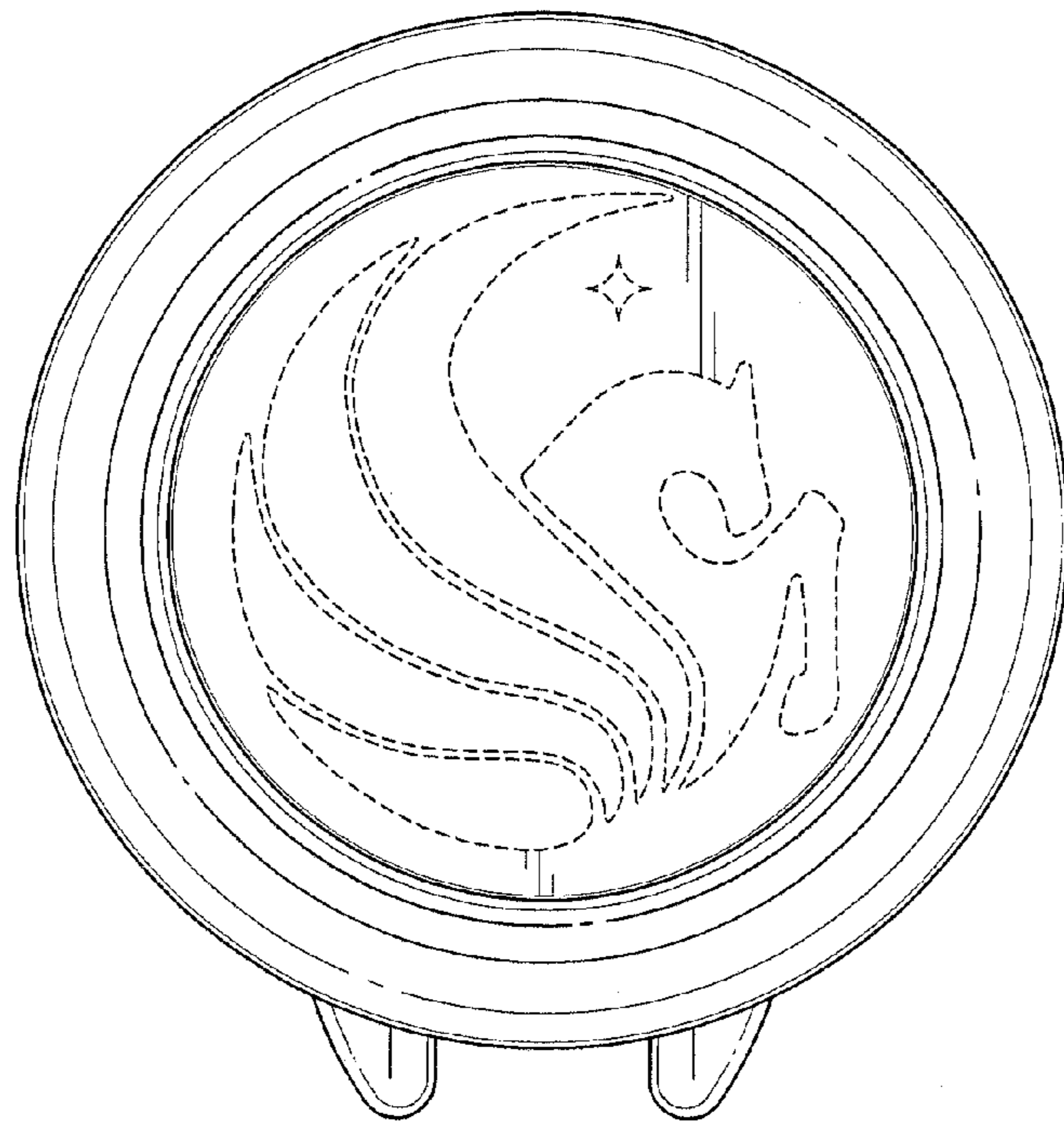


Fig. 20

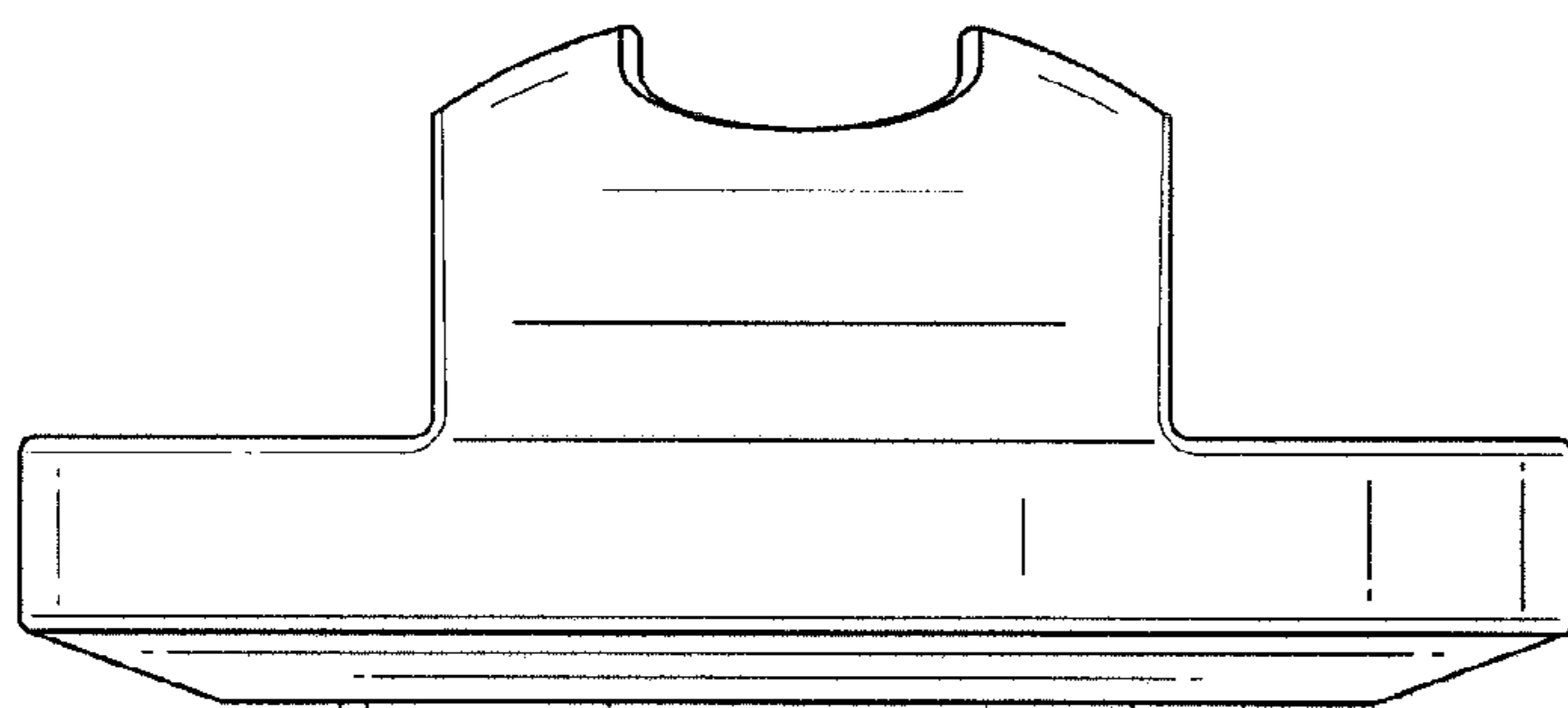


Fig. 21

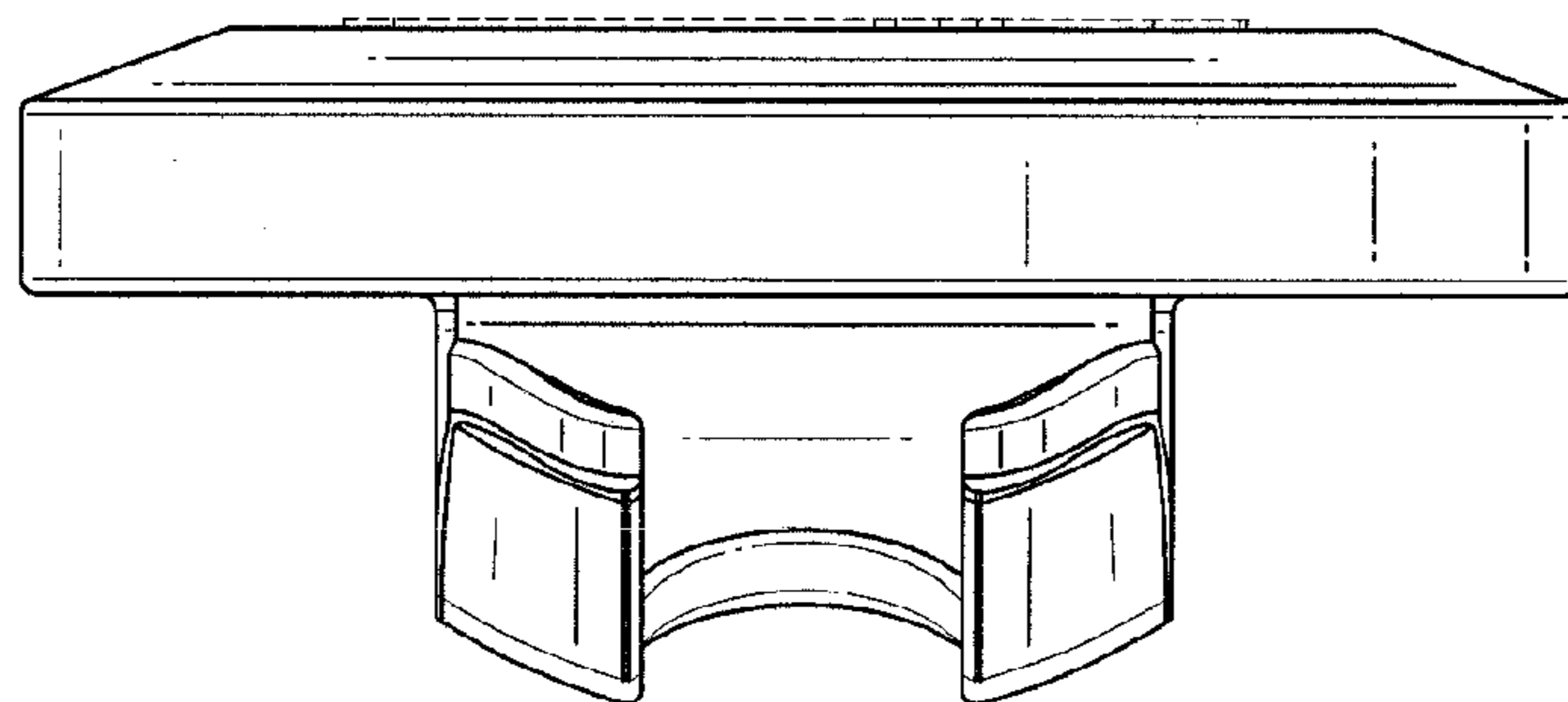


Fig. 22

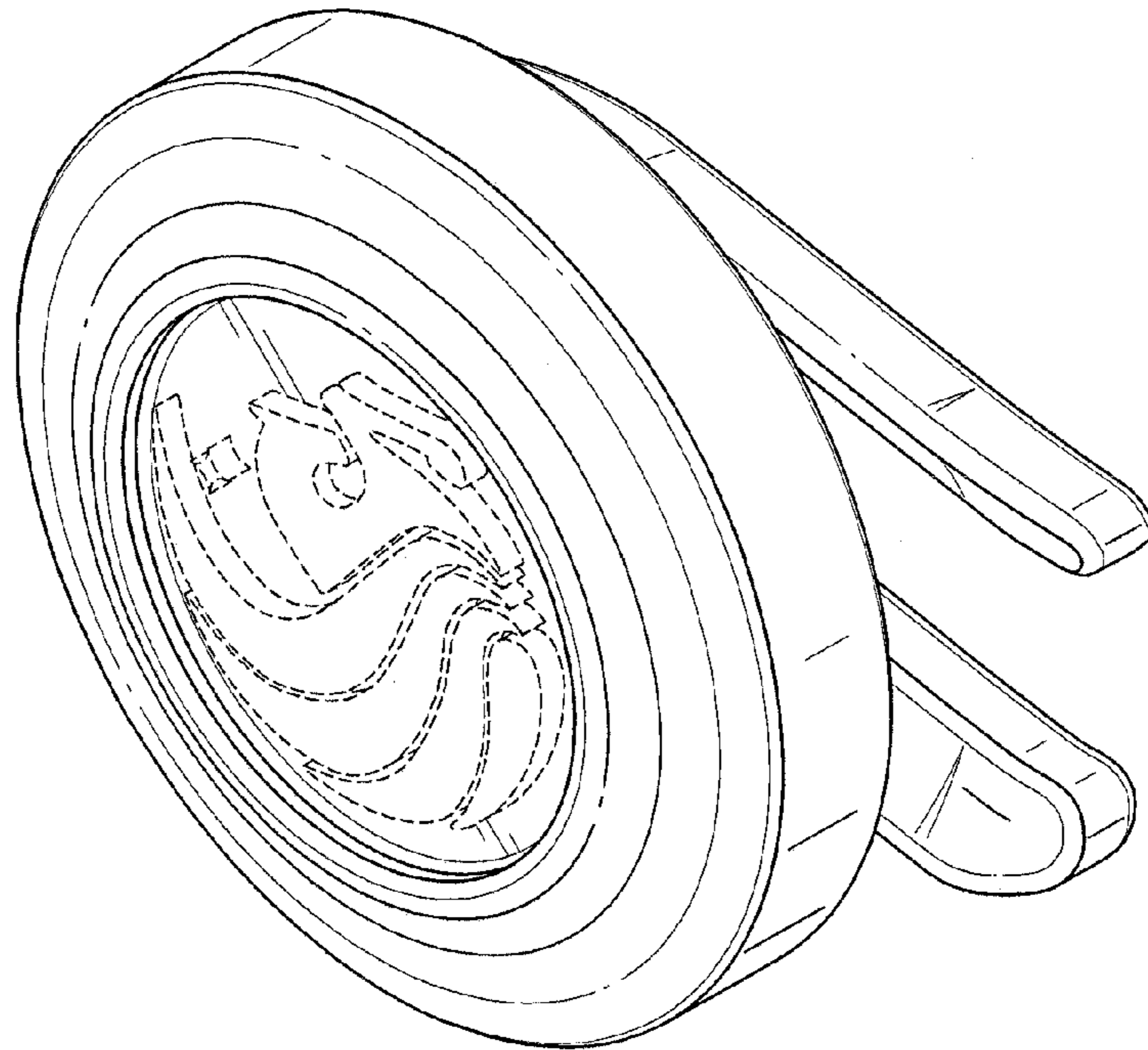


Fig. 23

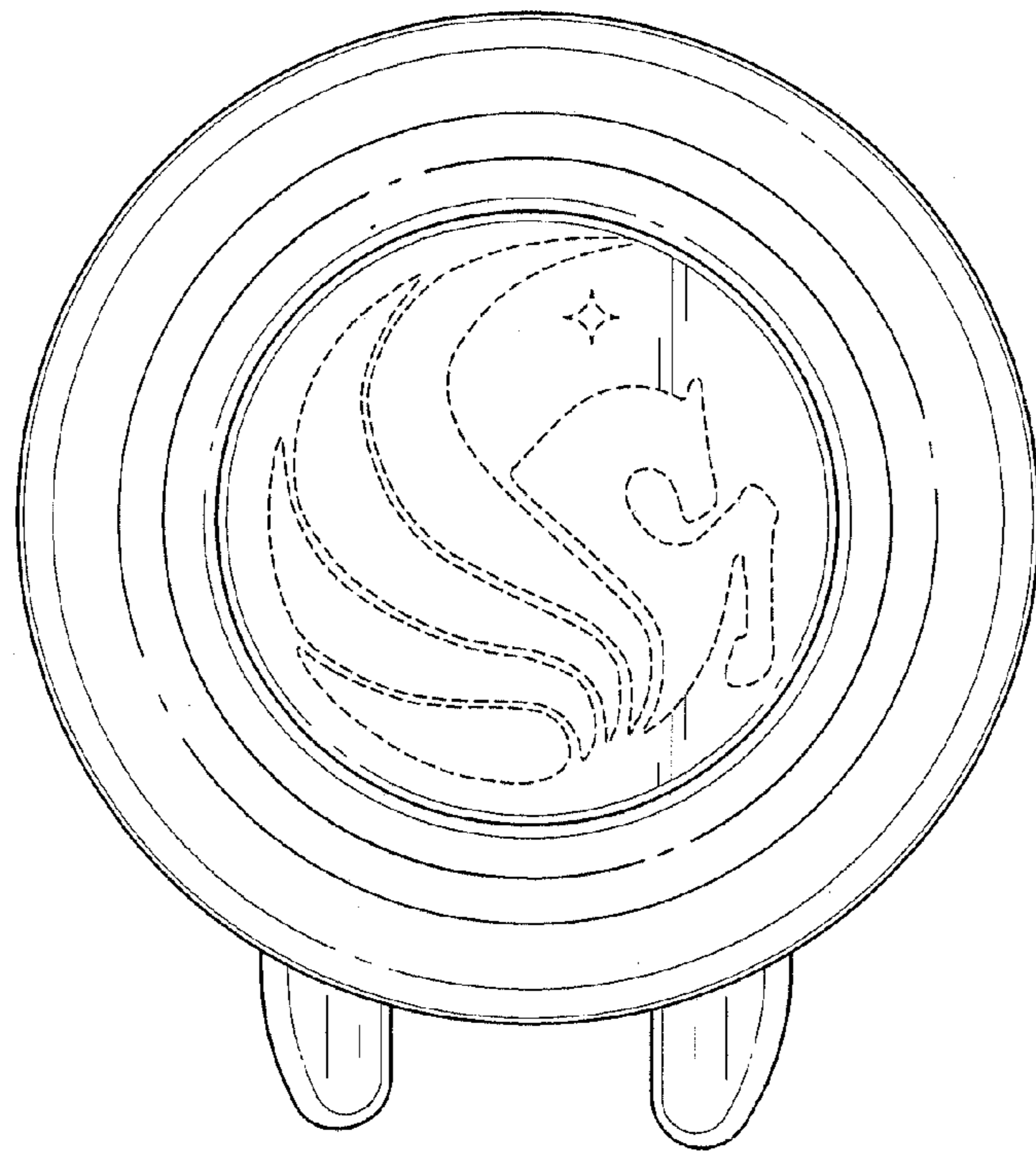


Fig. 24

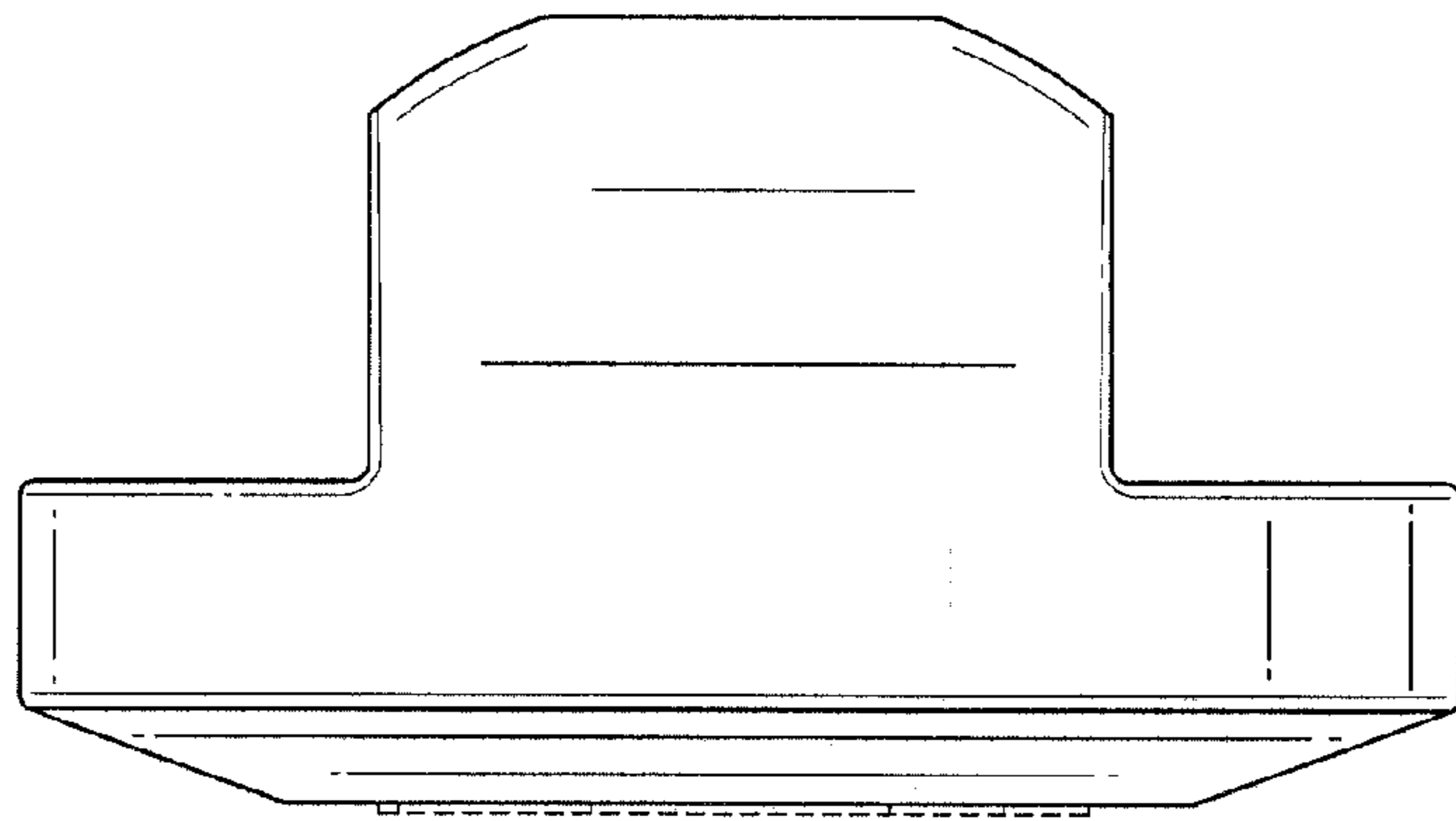


Fig. 25

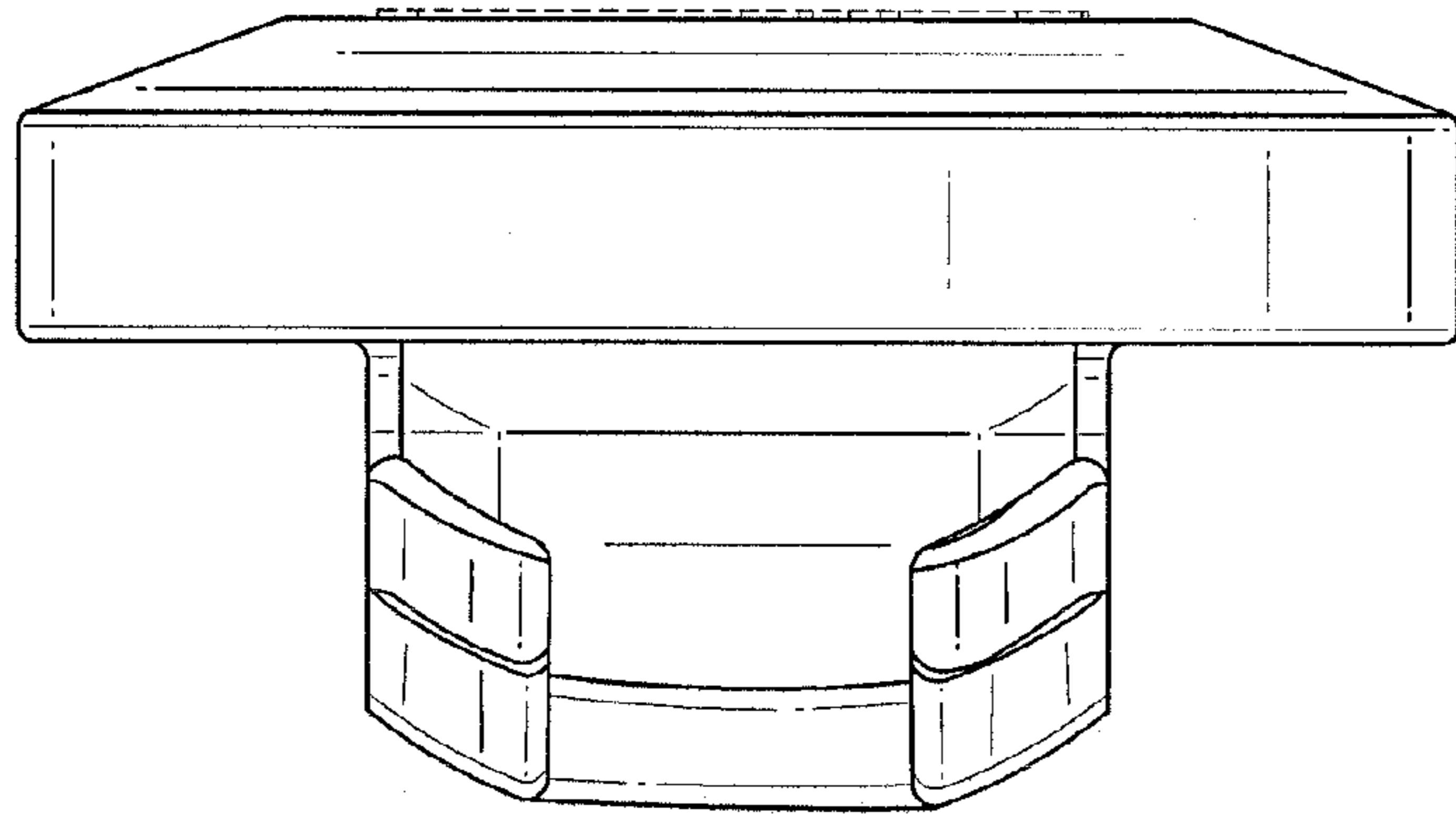


Fig. 26

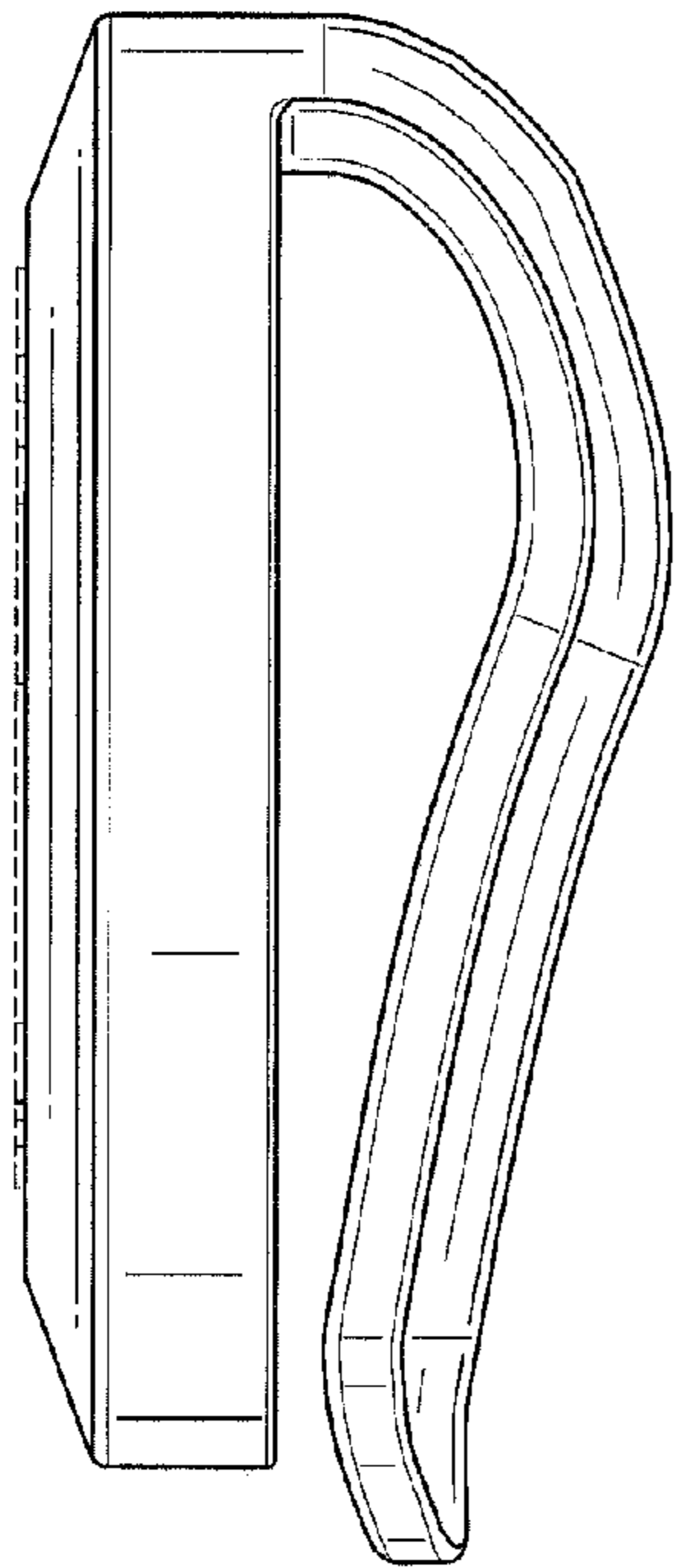


Fig. 27

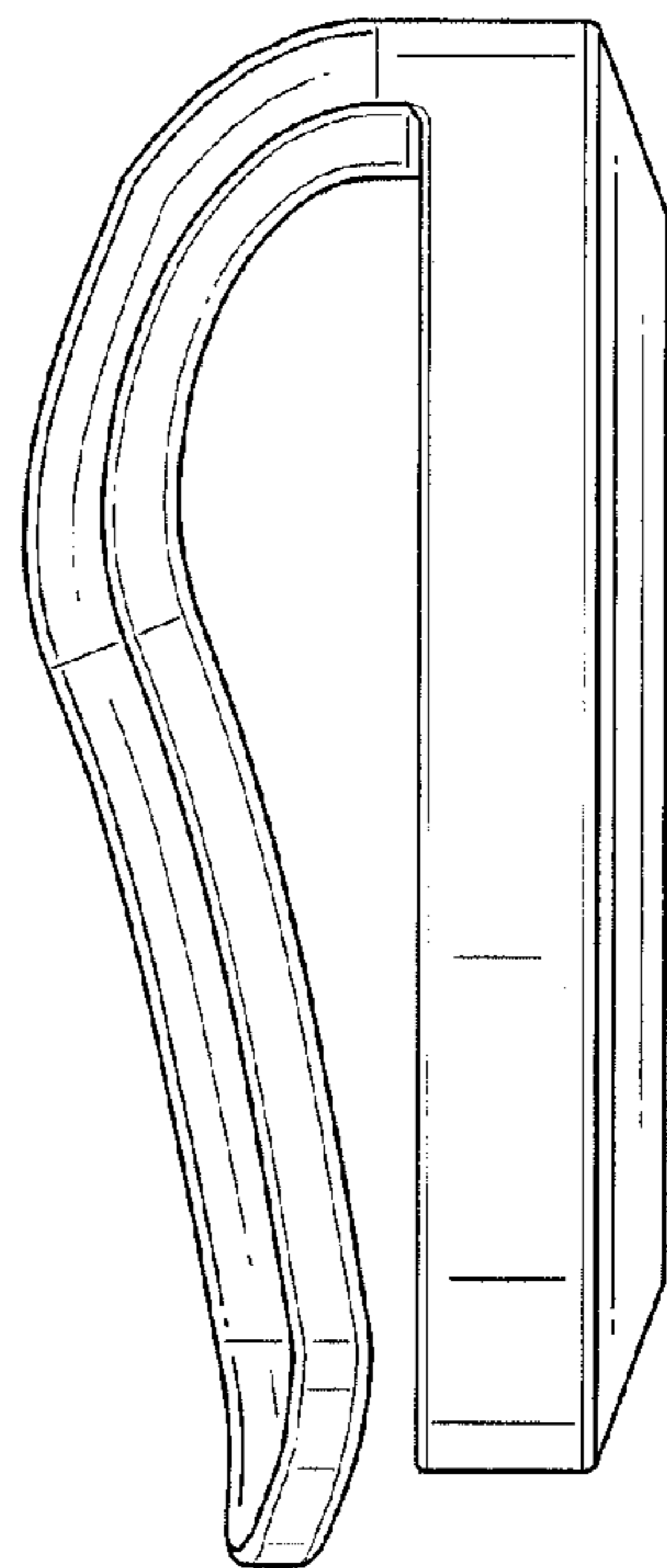


Fig. 28

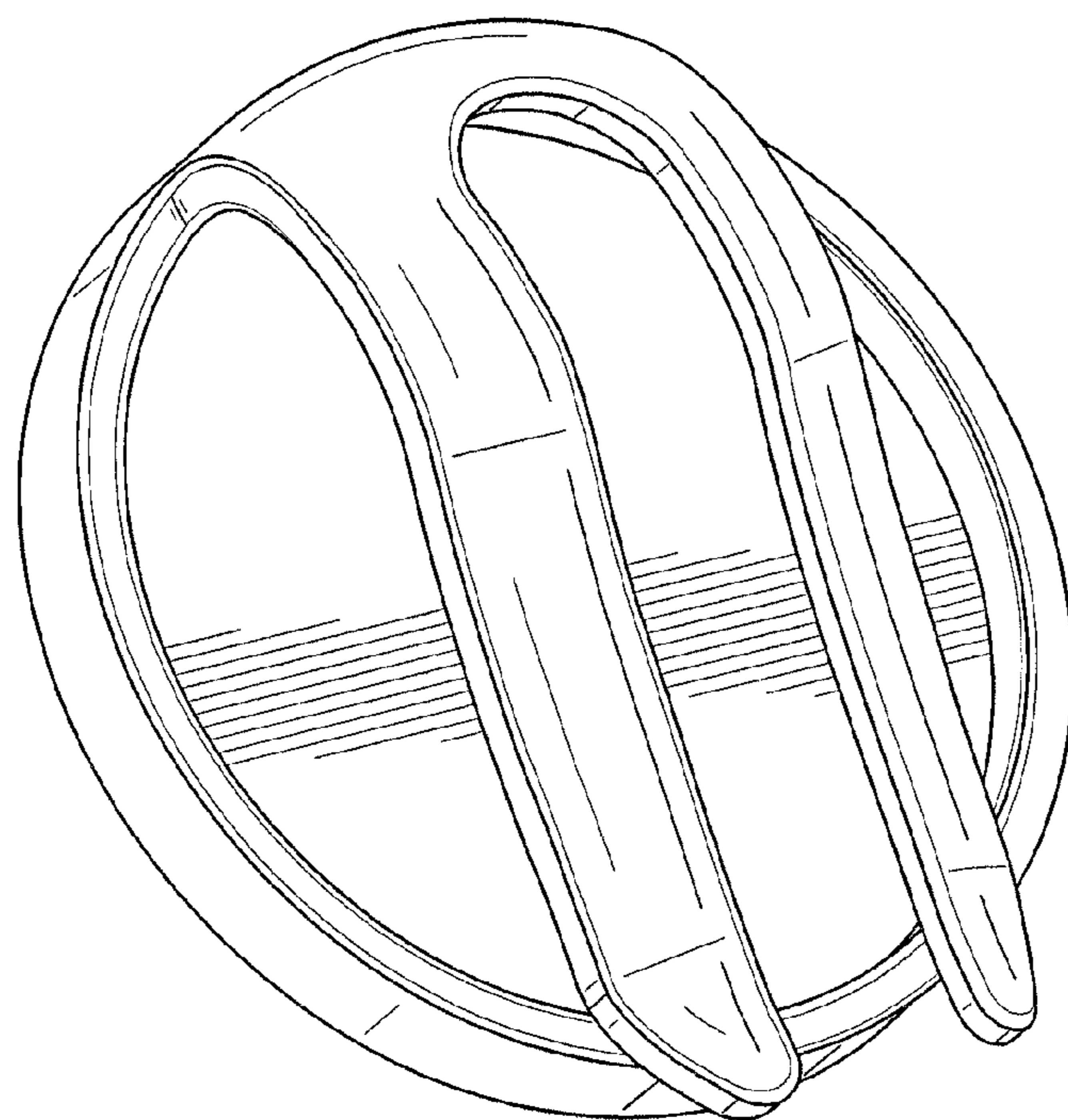


Fig. 29

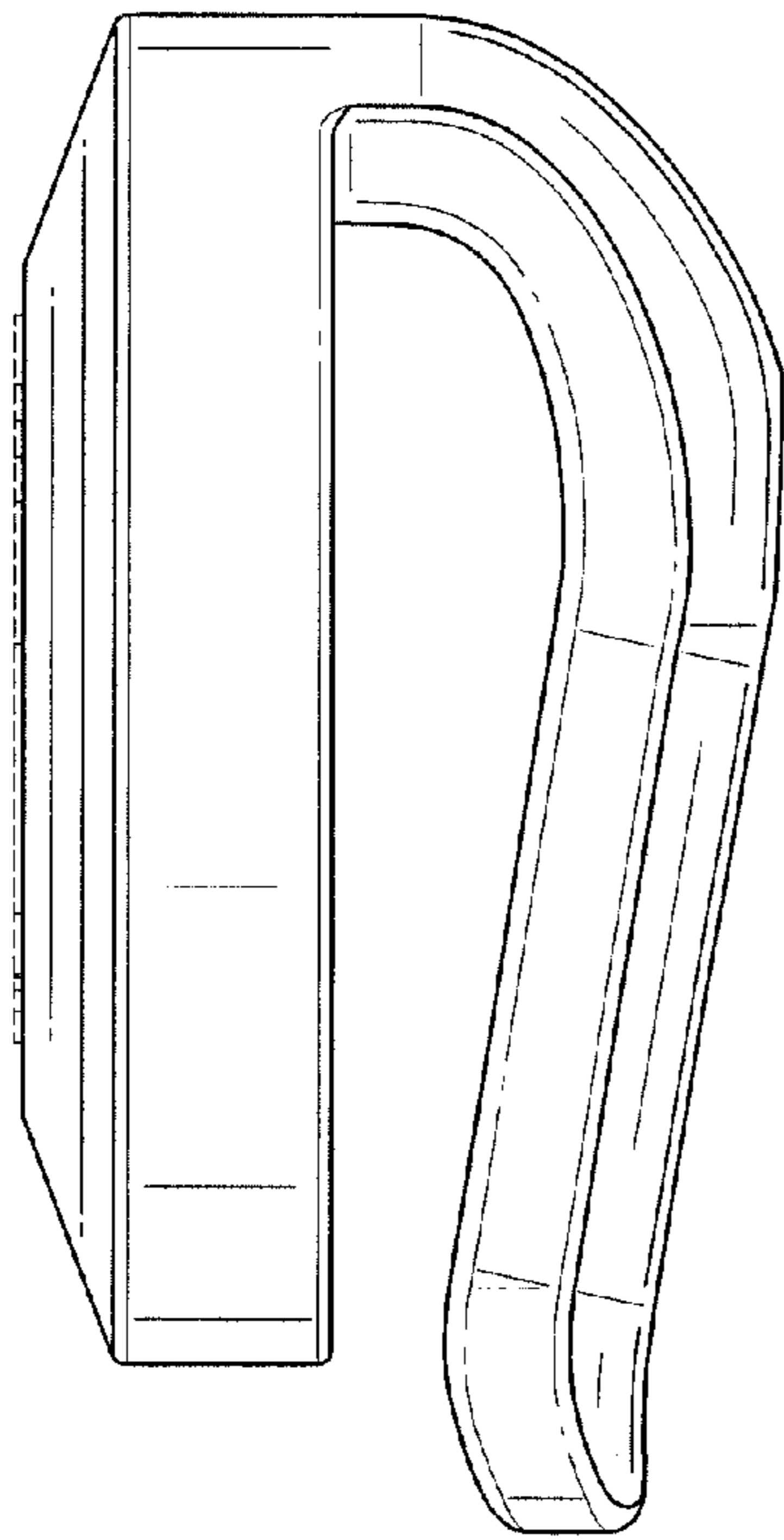


Fig. 30

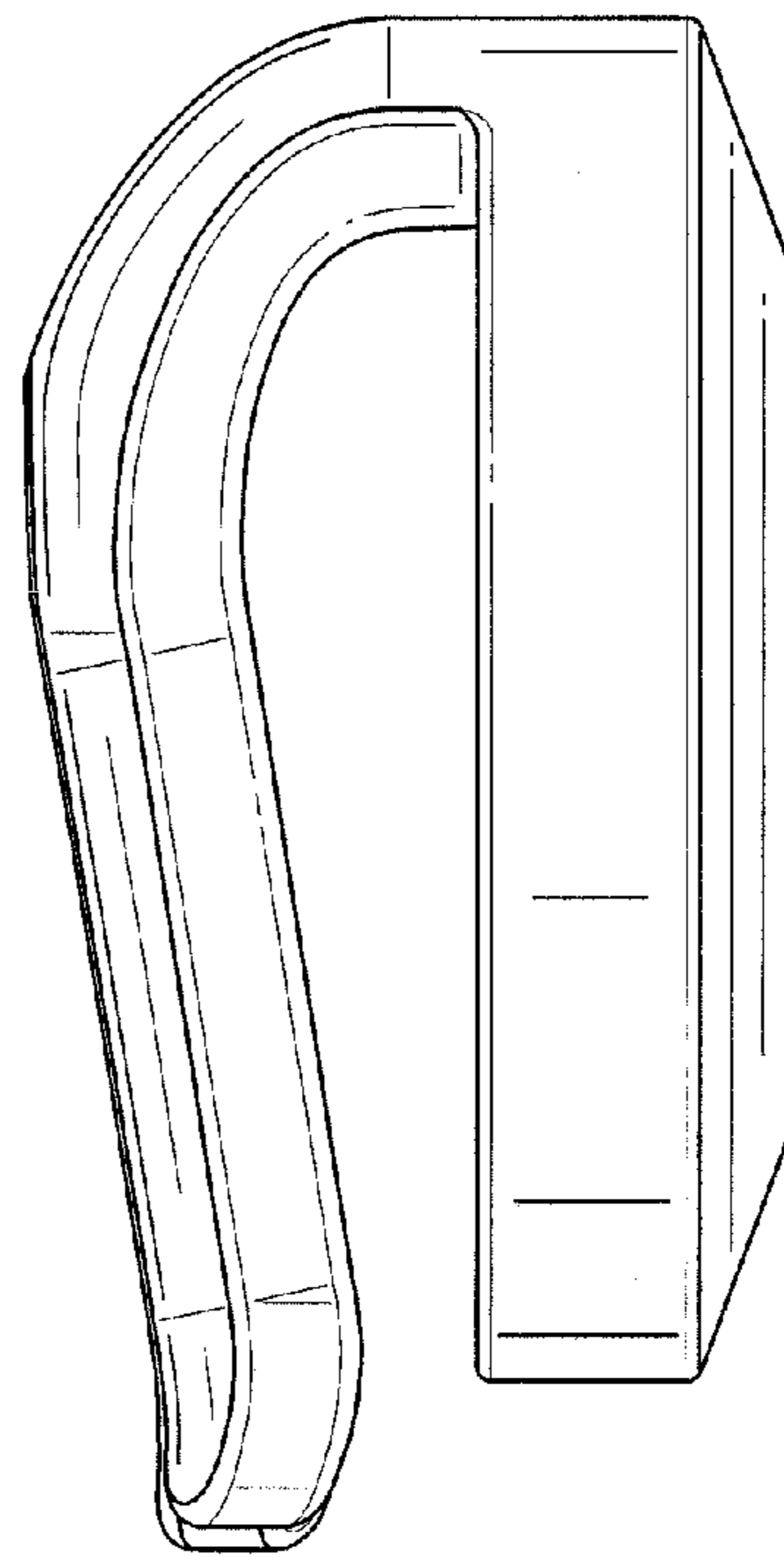


Fig. 31

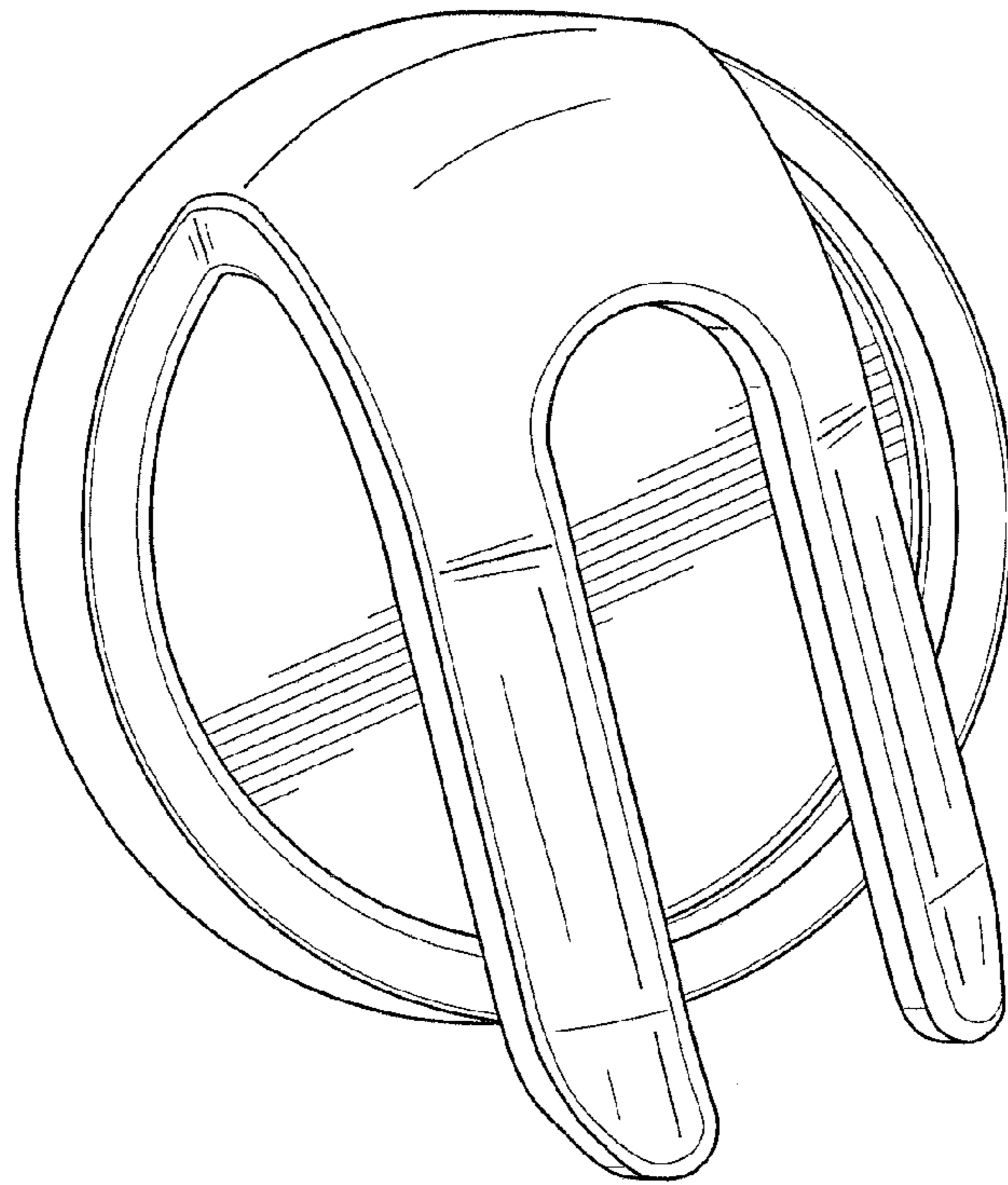


Fig. 32