



US00D720252S

(12) **United States Design Patent**
Burt

(10) **Patent No.:** **US D720,252 S**

(45) **Date of Patent:** **** Dec. 30, 2014**

(54) **PLANTER UMBRELLA STAND TABLE**

(71) Applicant: **Andy Burt**, Niagara Falls (CA)

(72) Inventor: **Andy Burt**, Niagara Falls (CA)

(**) Term: **14 Years**

(21) Appl. No.: **29/472,942**

(22) Filed: **Nov. 18, 2013**

(51) **LOC (10) Cl.** **11-02**

(52) **U.S. Cl.**
USPC **D11/144**; D6/708.17

(58) **Field of Classification Search**
CPC A47B 37/04; A47B 13/088; A45B
2200/1063; A01G 9/02
USPC D6/403-405, 682.1, 686, 691, 4, 692, 3,
D6/708.17; D9/428, 429, 549, 776, 779;
D11/143-156, 164; 47/17, 18, 32.7,
47/33, 39, 41.01, 41.11-41.15, 65, 65.5,
47/66.1, 66.6, 66.7, 67-71; D3/10;
108/50.12; 248/519

See application file for complete search history.

(56) **References Cited**

U.S. PATENT DOCUMENTS

D179,582	S	*	1/1957	Reineman	D6/420
3,758,986	A	*	9/1973	Roberts	47/79
D229,996	S	*	1/1974	Reiter	D6/397
D245,408	S	*	8/1977	Baumann et al.	D11/155
4,219,967	A	*	9/1980	Hickerson	47/72
D259,525	S	*	6/1981	Kane	D6/397
D412,297	S	*	7/1999	Roach	D11/152
6,374,839	B2	*	4/2002	Patarra	135/16
D480,326	S	*	10/2003	Carlson	D11/155
6,789,916	B2	*	9/2004	Ruggles	362/154
D542,098	S	*	5/2007	Wasserman et al.	D7/584
D552,319	S	*	10/2007	Gusdorf	D34/1
7,322,300	B2	*	1/2008	Caeton	108/90
D578,830	S	*	10/2008	Freeman	D7/586
D596,074	S	*	7/2009	Bodum	D11/155

D598,224	S	*	8/2009	Zanini	D6/510
D631,390	S	*	1/2011	Izardel	D11/144
D631,784	S	*	2/2011	White	D11/155
D649,085	S	*	11/2011	Tremblay et al.	D11/155
D659,586	S	*	5/2012	Brandstatter	D11/155
8,181,811	B1	*	5/2012	Blake	220/475
D667,151	S	*	9/2012	Arslanian	D26/9
8,381,662	B2	*	2/2013	Goldszer	108/50.12
2003/0235054	A1	*	12/2003	Ruggles	362/431
2009/0189035	A1	*	7/2009	Gambill	248/218.4
2011/0203175	A1	*	8/2011	Horito et al.	47/65.6

* cited by examiner

Primary Examiner — Elizabeth Albert

(74) *Attorney, Agent, or Firm* — Brian J. Teague

(57) **CLAIM**

I claim the ornamental design for a planter umbrella stand table, as shown and described.

DESCRIPTION

FIG. 1 is a front perspective view of a planter umbrella stand table showing the new design.

FIG. 2 is another front perspective view thereof, shown without the lid for convenience of illustration.

FIG. 3 is a rear perspective view thereof.

FIG. 4 is a right side view thereof. The front view, left side view and rear view are all identical to the right side view.

FIG. 5 is a top view thereof.

FIG. 6 is a bottom view thereof.

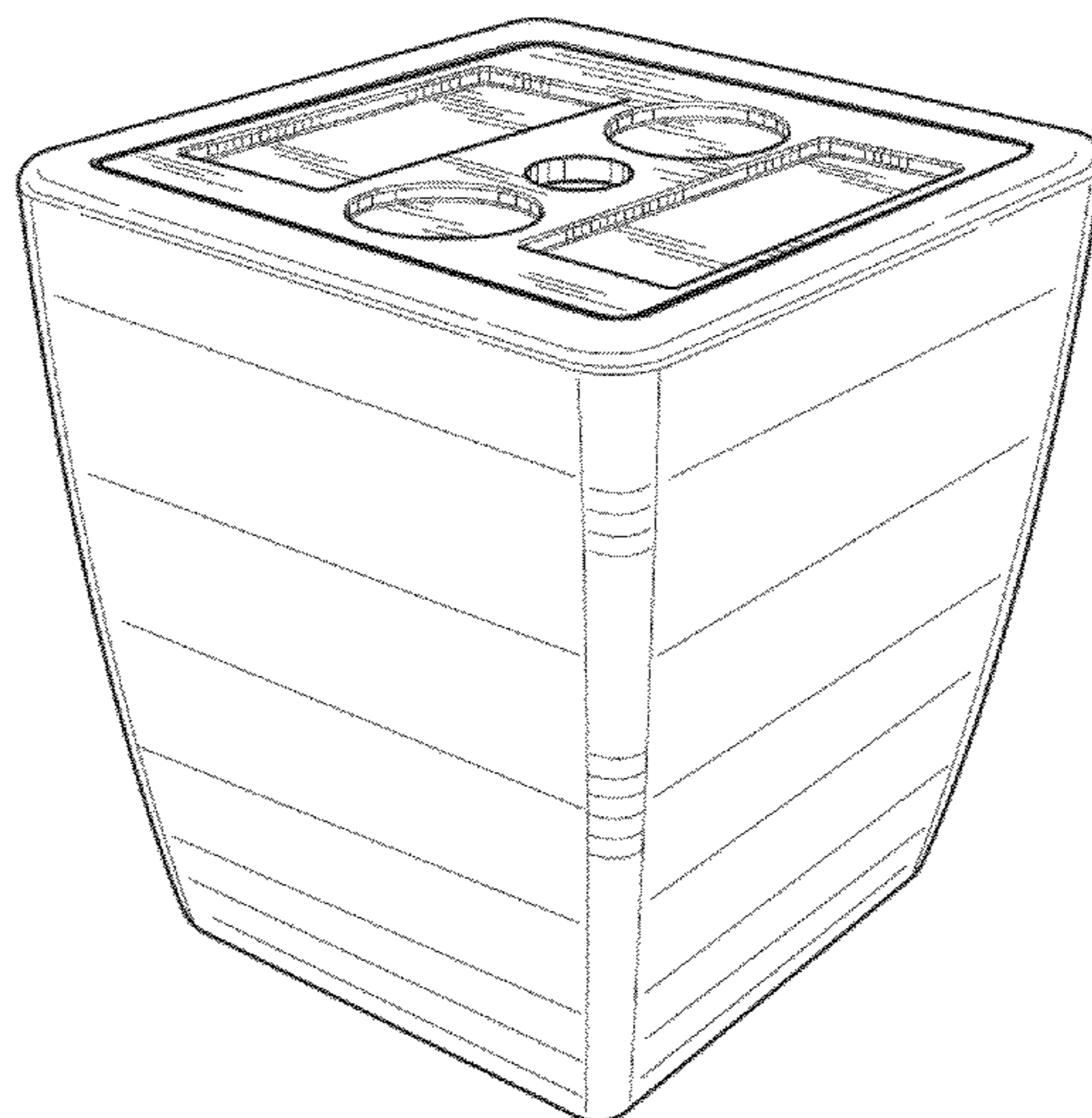
FIG. 7 is a right side view of the lid, shown without the rest of the claimed design for convenience of illustration. The front view, left side view, and rear view of the lid are all identical to the right side view.

FIG. 8 is a top view thereof; and,

FIG. 9 is a bottom view thereof.

In the drawings, the broken lines shown in the figures depict unclaimed subject matter only and form no part of the claimed design.

1 Claim, 4 Drawing Sheets



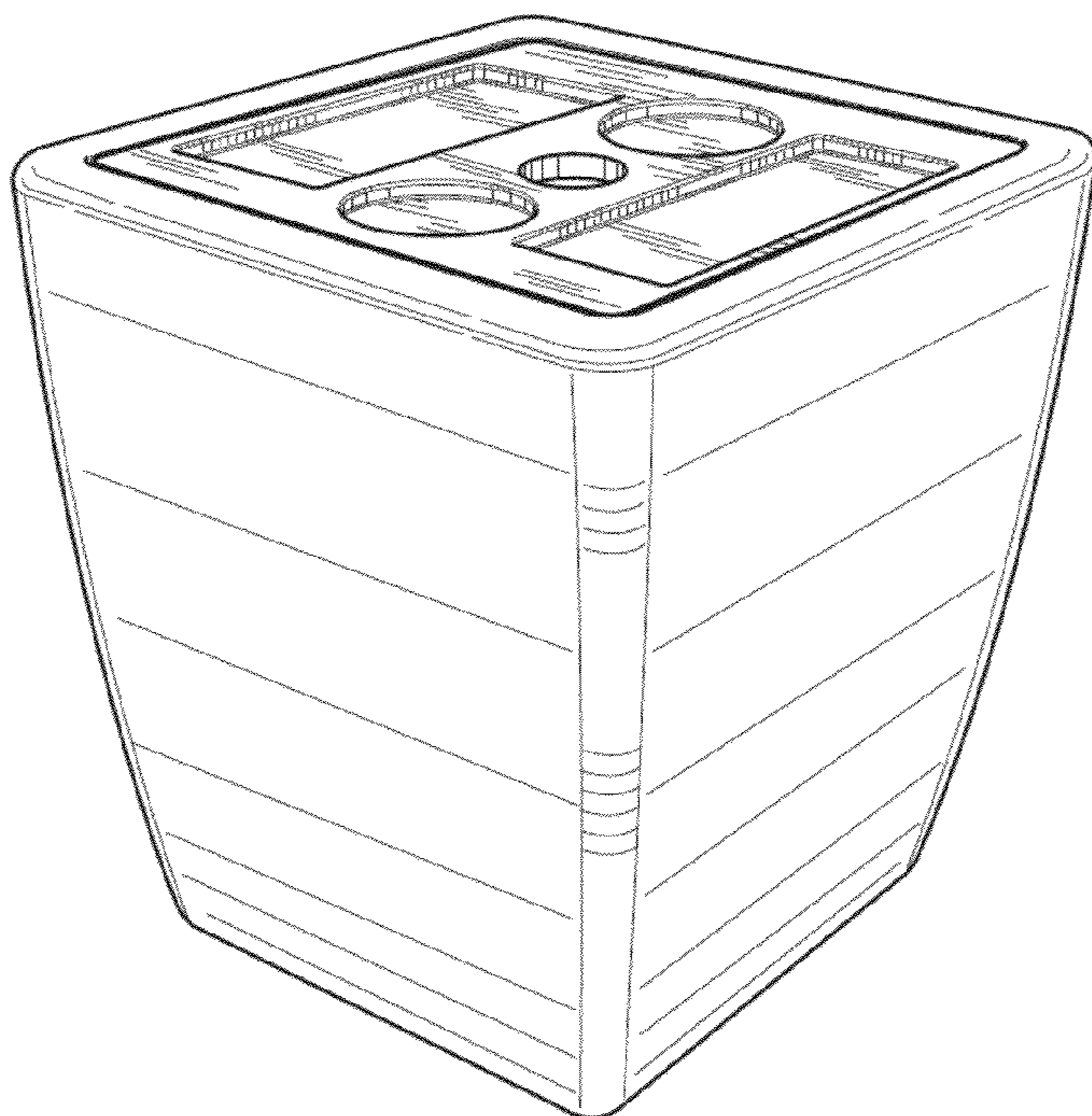


FIG. 1

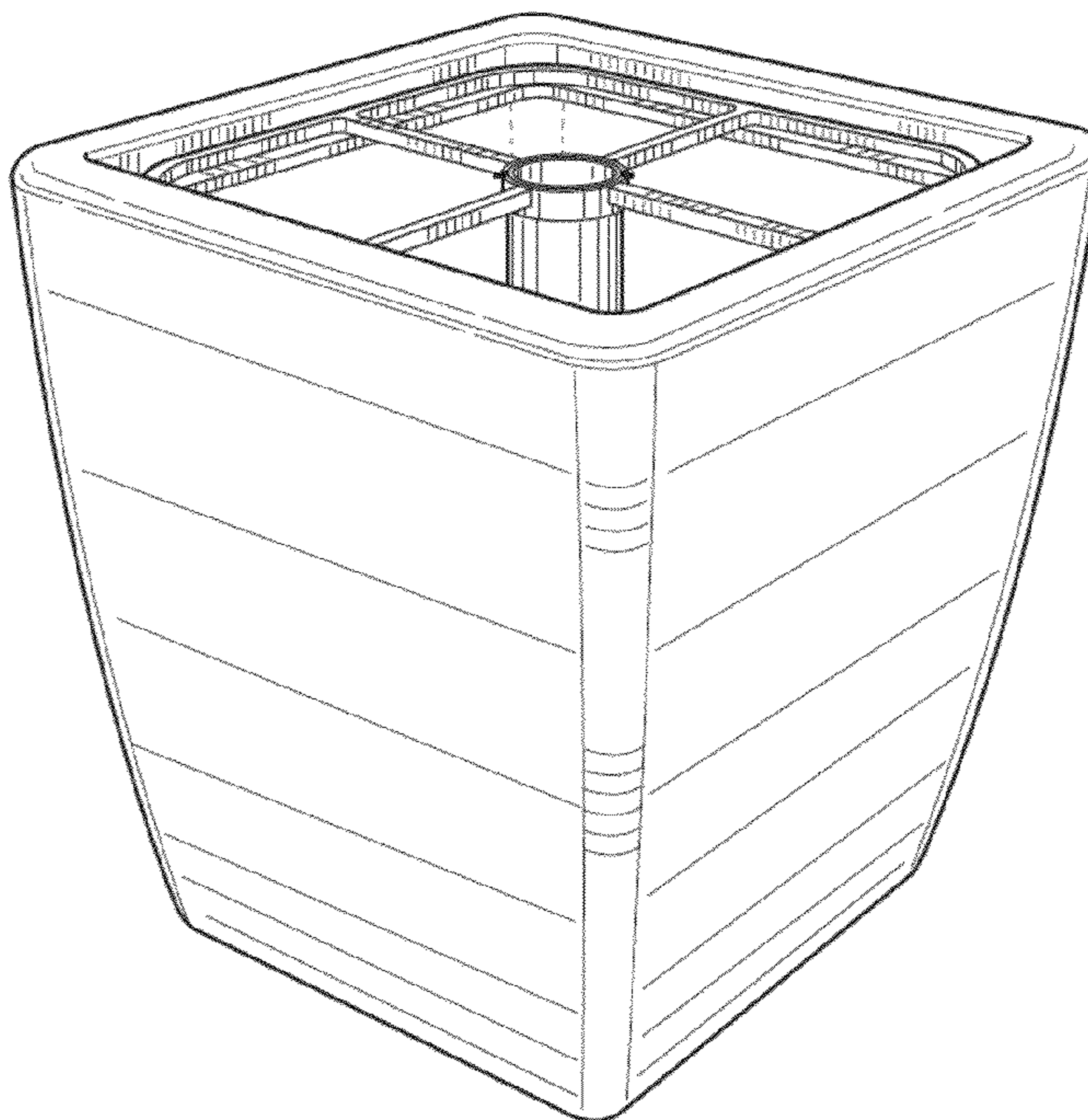


FIG. 2

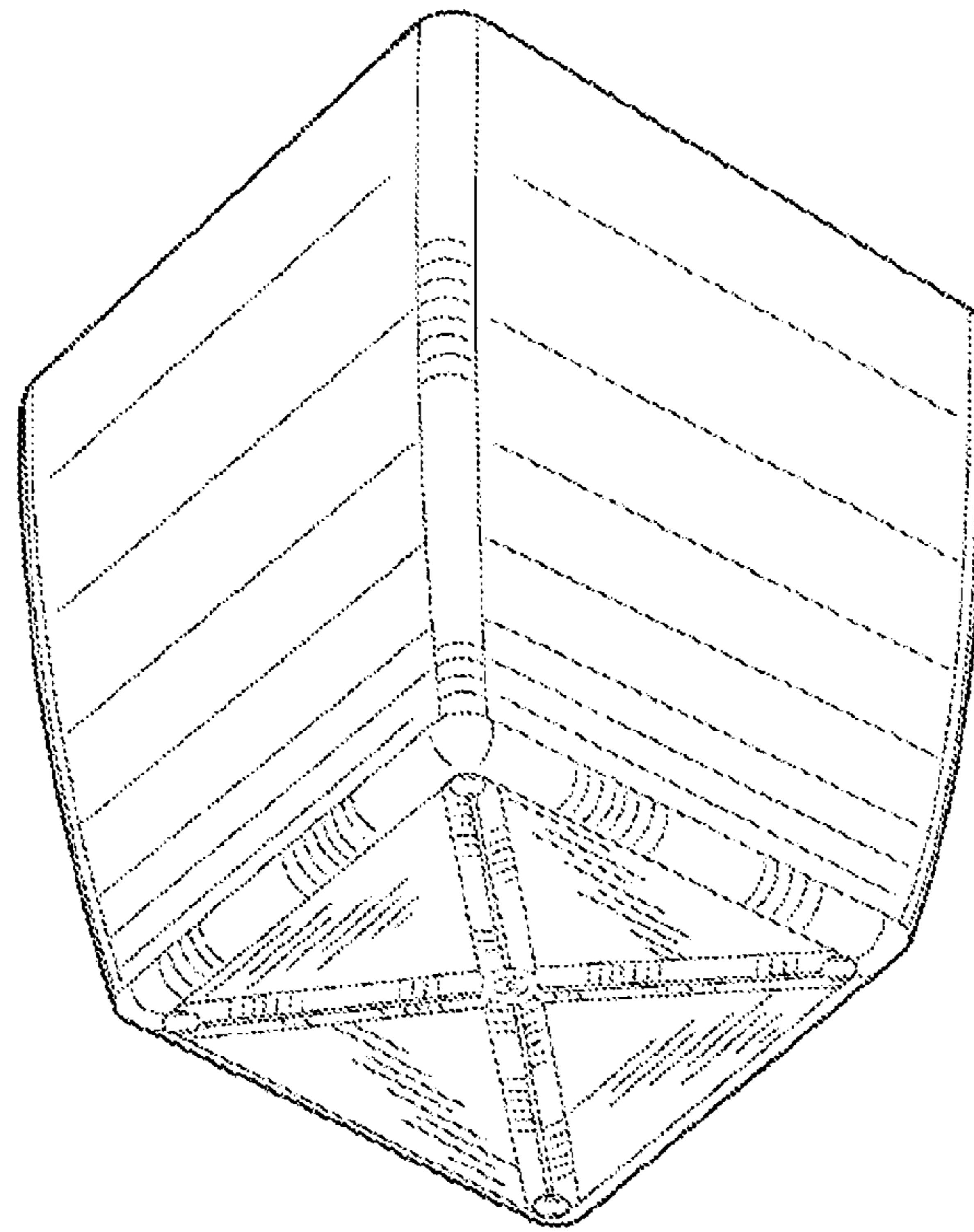


FIG. 3

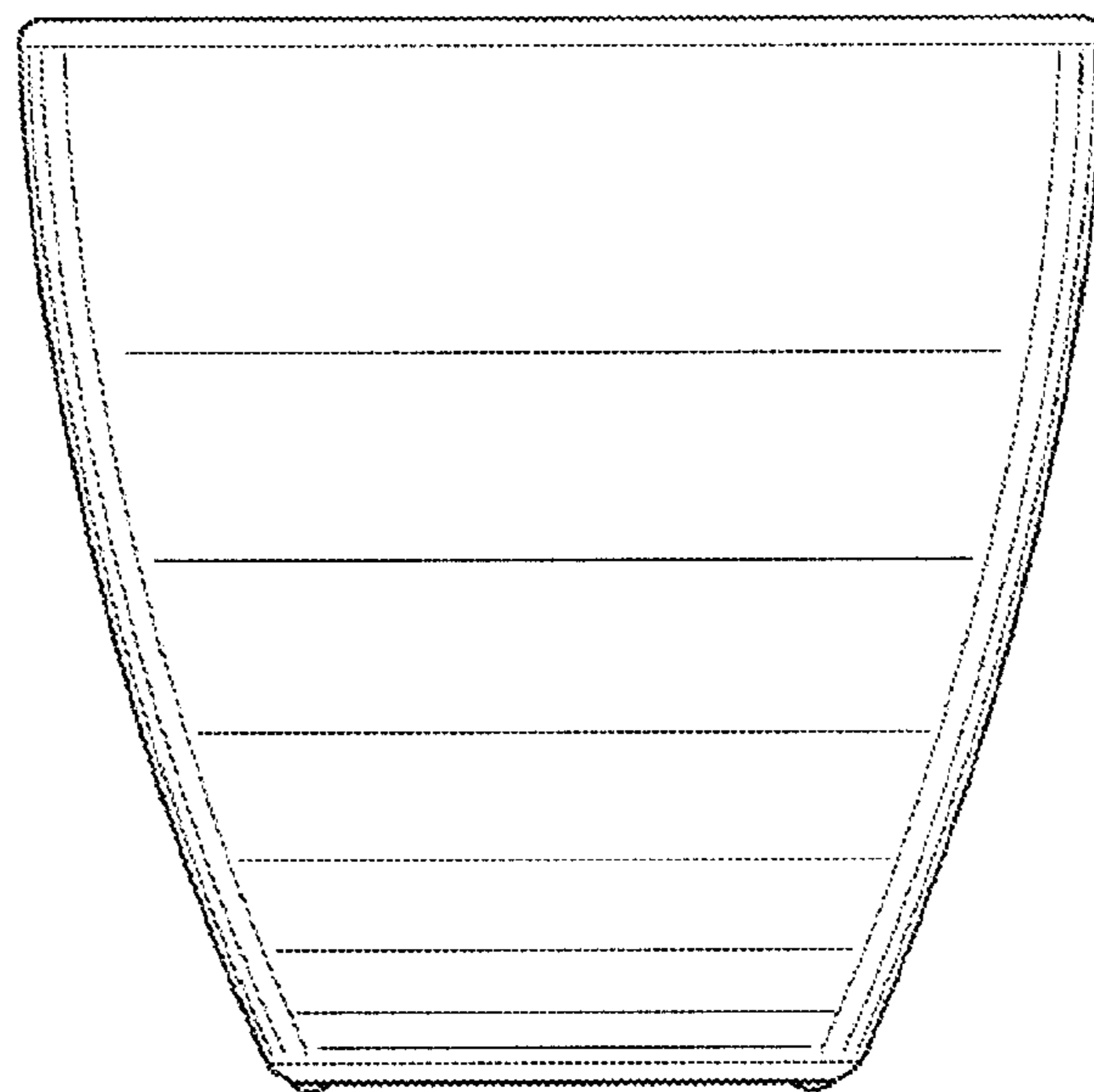


FIG. 4

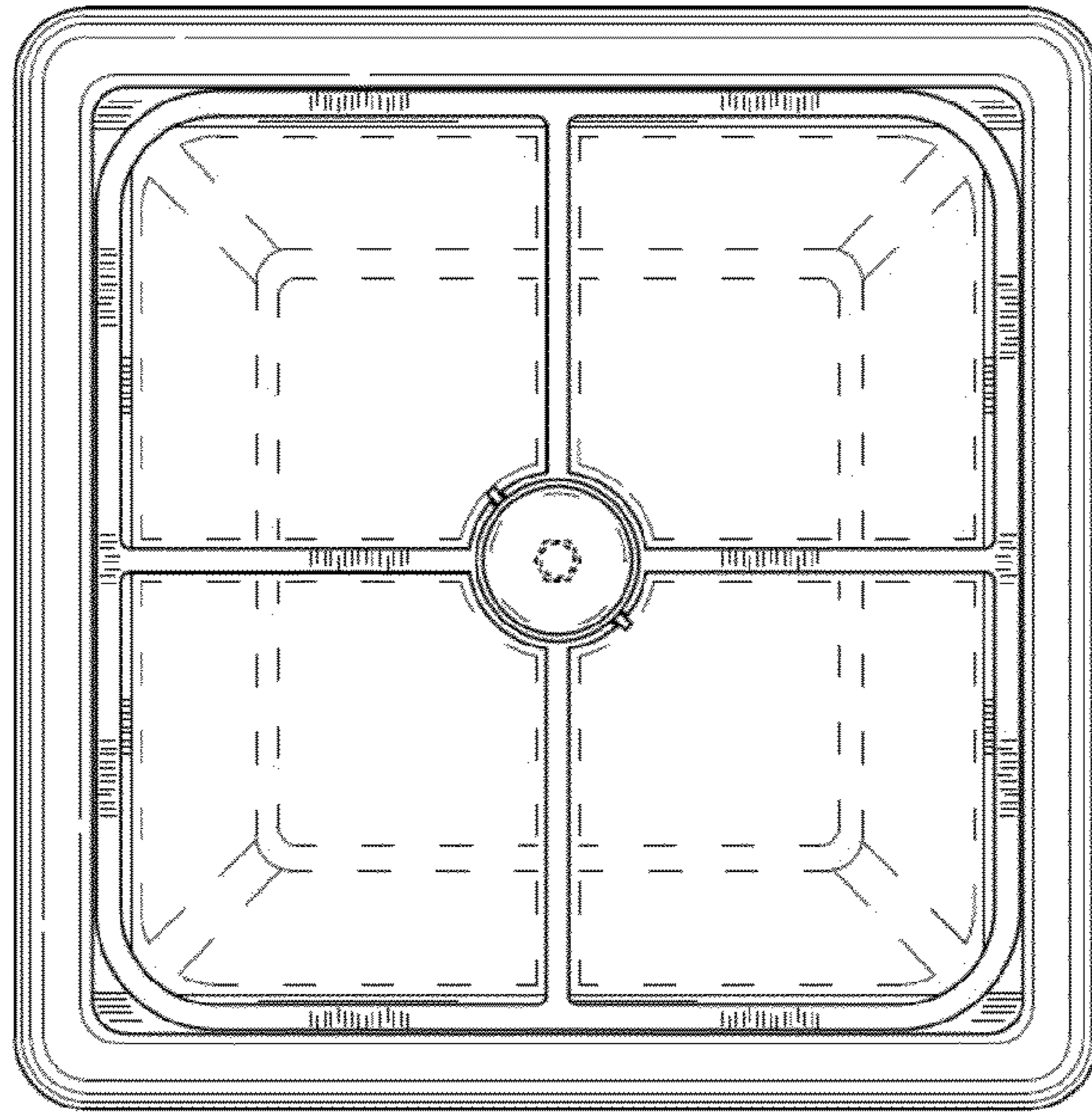


FIG. 5

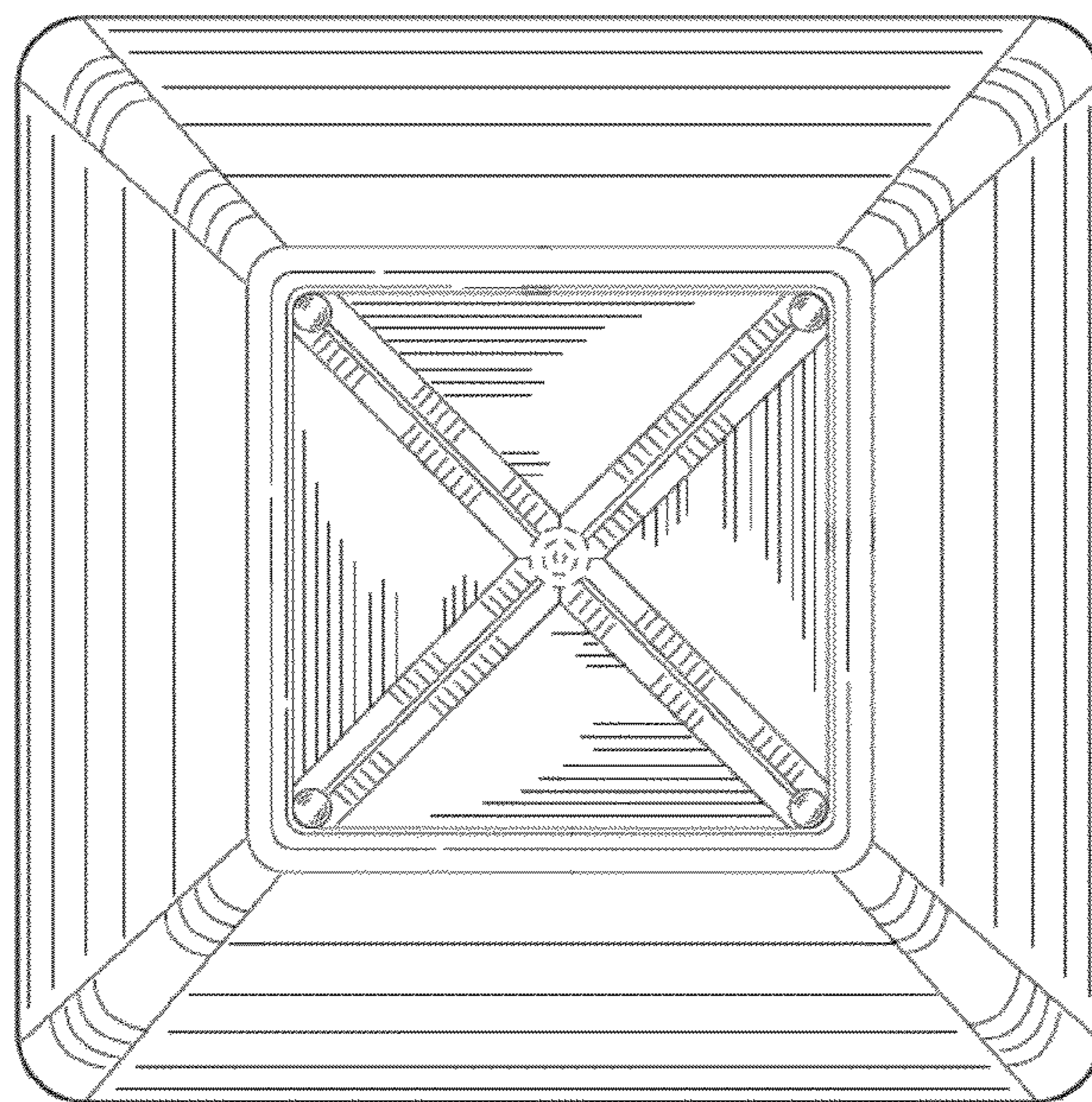


FIG. 6

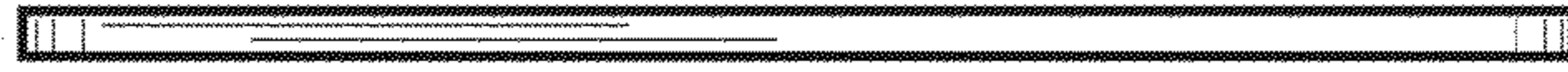


FIG. 7

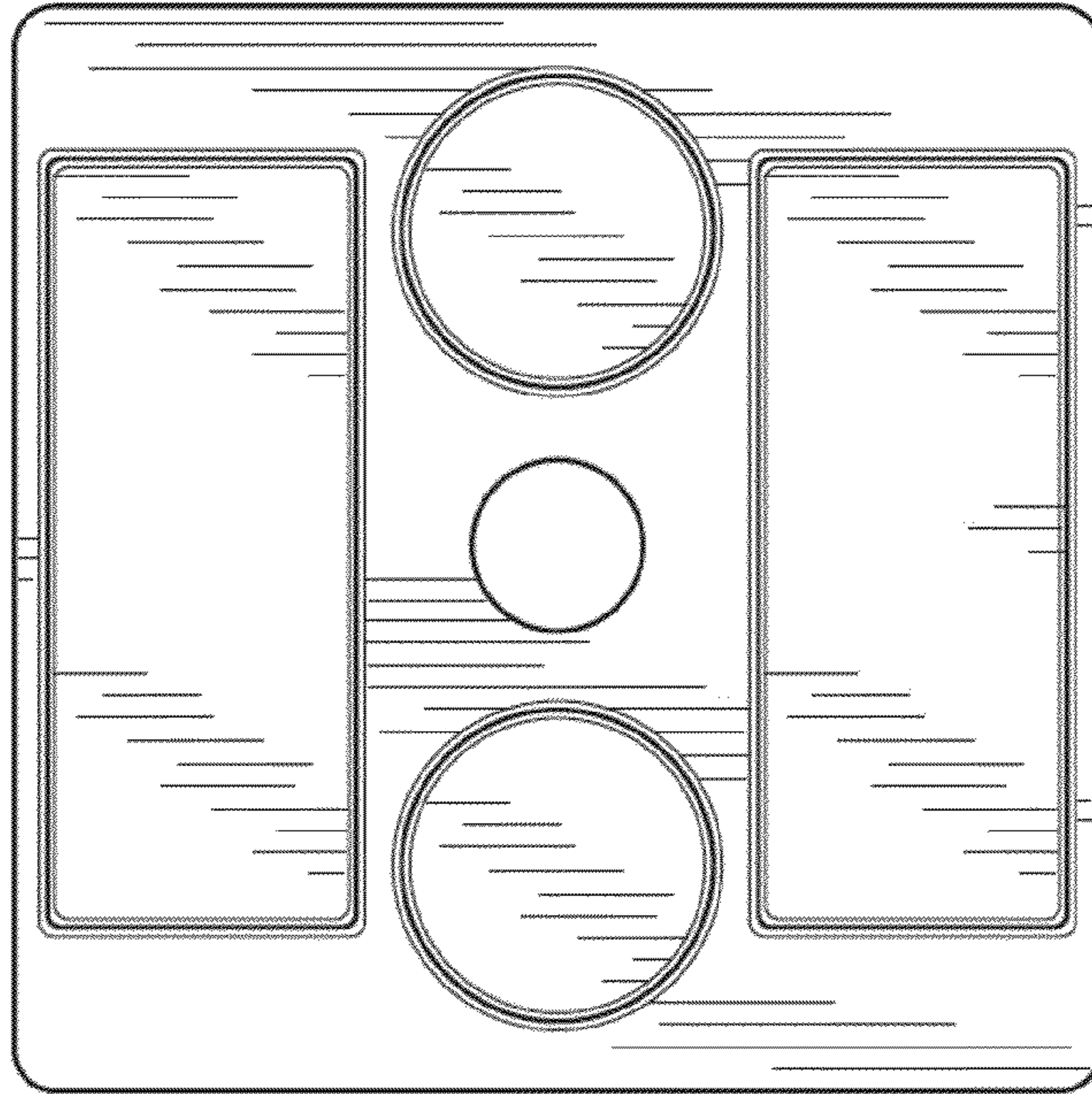


FIG. 8

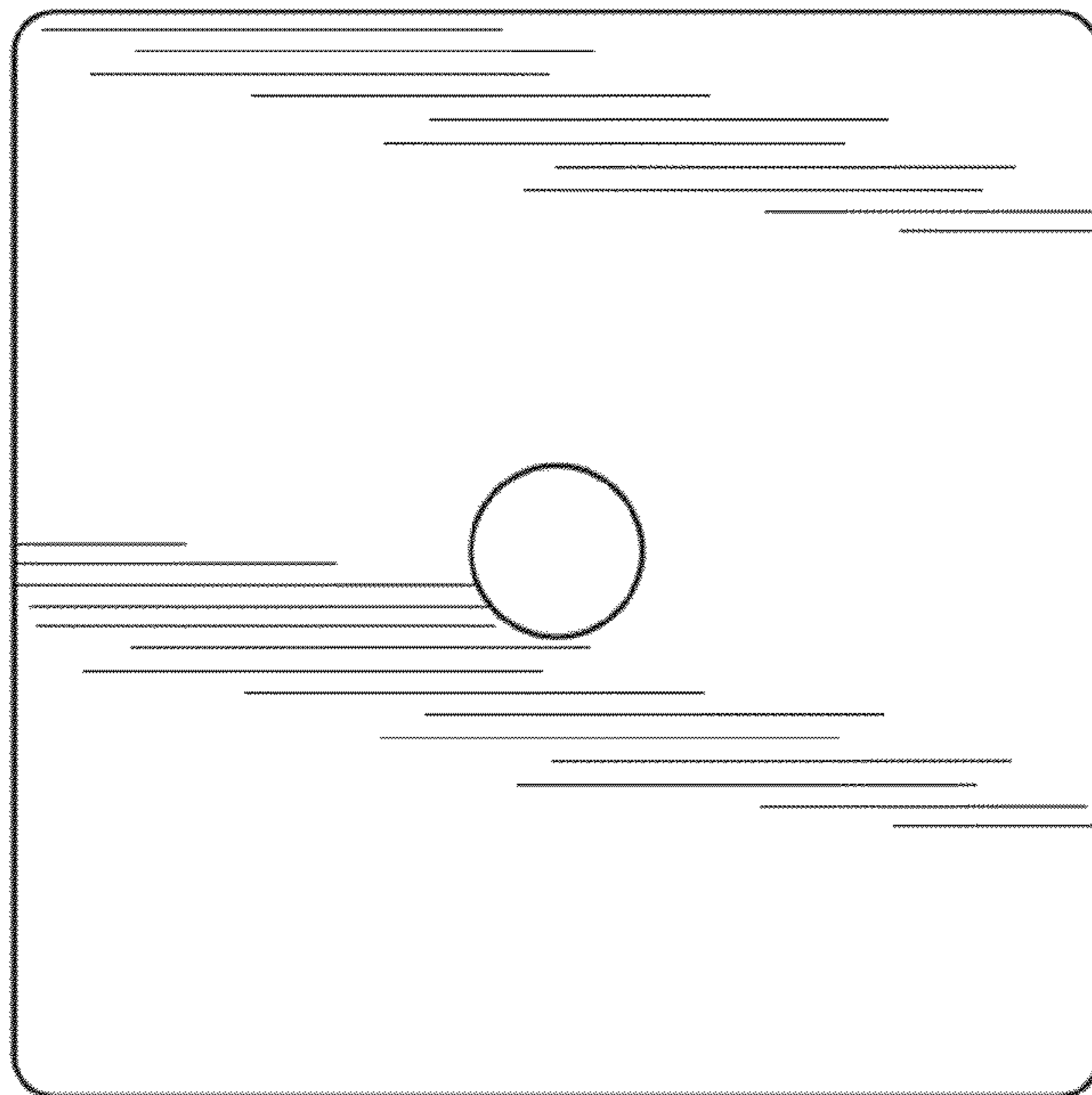


FIG. 9