



US00D720247S

(12) **United States Design Patent**
Covelli et al.

(10) **Patent No.:** **US D720,247 S**
(45) **Date of Patent:** **** Dec. 30, 2014**

(54) **FLOATING EMERGENCY SOS LIGHT**

(71) Applicants: **Anthony W. Covelli**, La Costa, CA
(US); **Robert B. Simons, Jr.**, San Diego,
CA (US)

(72) Inventors: **Anthony W. Covelli**, La Costa, CA
(US); **Robert B. Simons, Jr.**, San Diego,
CA (US)

(**) Term: **14 Years**

(21) Appl. No.: **29/493,224**

(22) Filed: **Jun. 6, 2014**

(51) **LOC (10) Cl.** **10-05**

(52) **U.S. Cl.**
USPC **D10/114.2**

(58) **Field of Classification Search**
USPC D10/114.1, 114.2, 114.6; D26/67;
362/190; 116/22 A; 340/539.26;
210/167.11; 404/6

See application file for complete search history.

(56) **References Cited**

U.S. PATENT DOCUMENTS

3,778,803 A * 12/1973 Jahn 340/539.26
7,287,929 B1 * 10/2007 Sokolowski et al. 404/6

7,699,018 B2 * 4/2010 Wells 116/22 A
2012/0255893 A1 * 10/2012 Le Clair 210/167.11
2013/0107507 A1 * 5/2013 Tucker et al. 362/190

* cited by examiner

Primary Examiner — George D Kirschbaum
(74) *Attorney, Agent, or Firm* — Richard D. Clarke

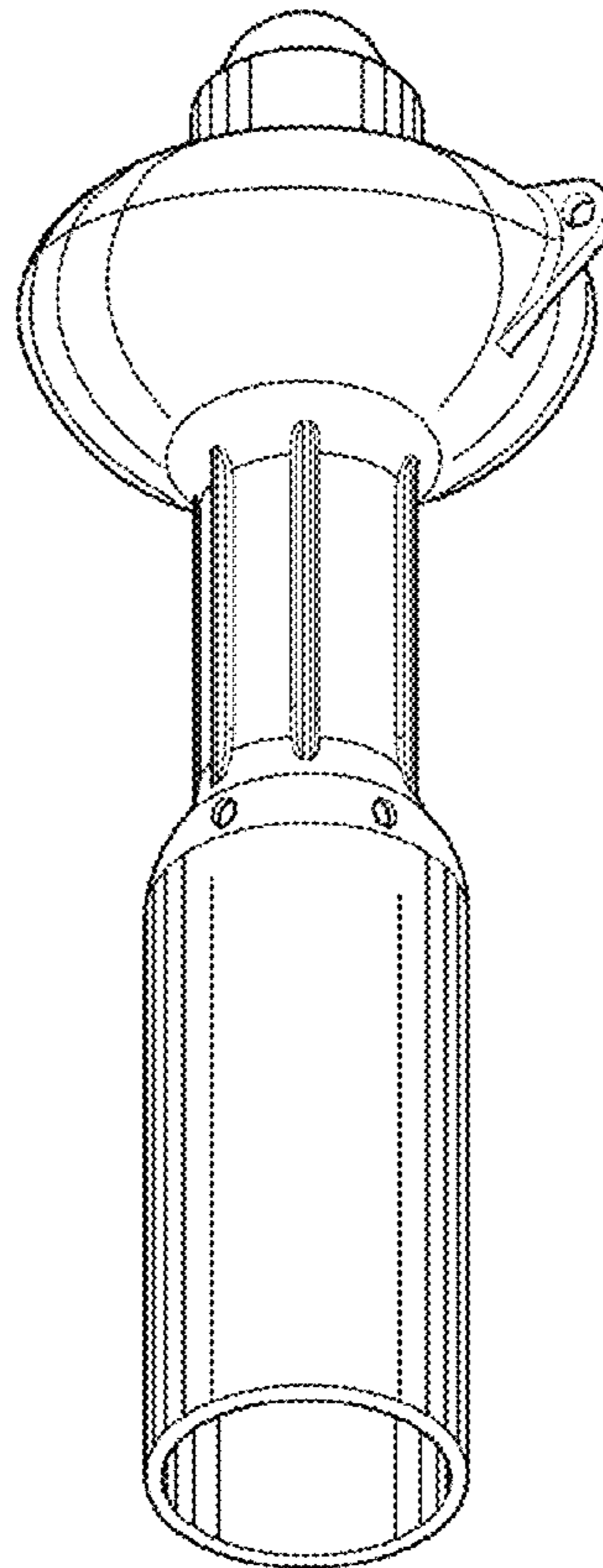
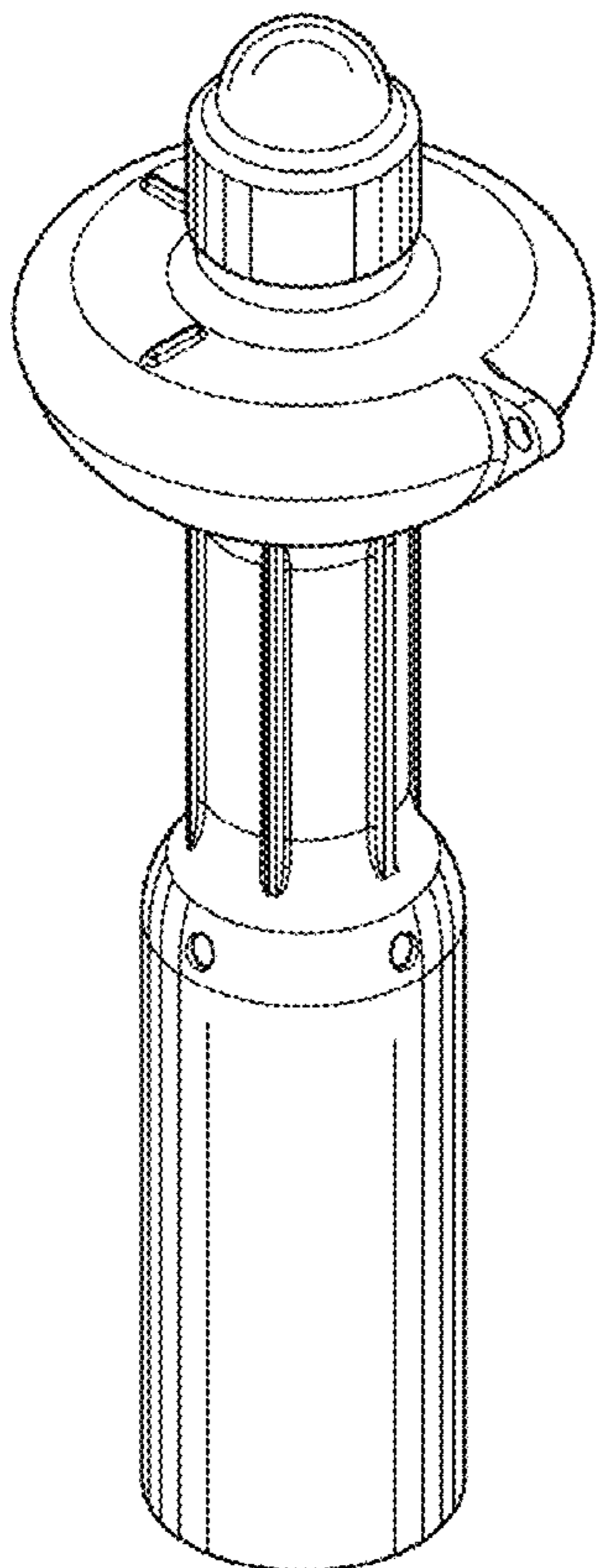
(57) **CLAIM**

I claim the ornamental design for an floating emergency SOS light, as shown and described.

DESCRIPTION

FIG. 1 is a top, front and left side elevation perspective view of the floating emergency SOS light;
FIG. 2 is a top, bottom and left side elevation perspective view of the floating emergency SOS light;
FIG. 3 is a top plan view of the floating emergency SOS light;
FIG. 4 is a left side elevation view of the floating emergency SOS light;
FIG. 5 is a rear view of the floating emergency SOS light;
FIG. 6 is a front view of the floating emergency SOS light;
FIG. 7 is a right side elevation view of the floating emergency SOS light; and,
FIG. 8 is a bottom plan view of the floating emergency SOS light.

1 Claim, 3 Drawing Sheets



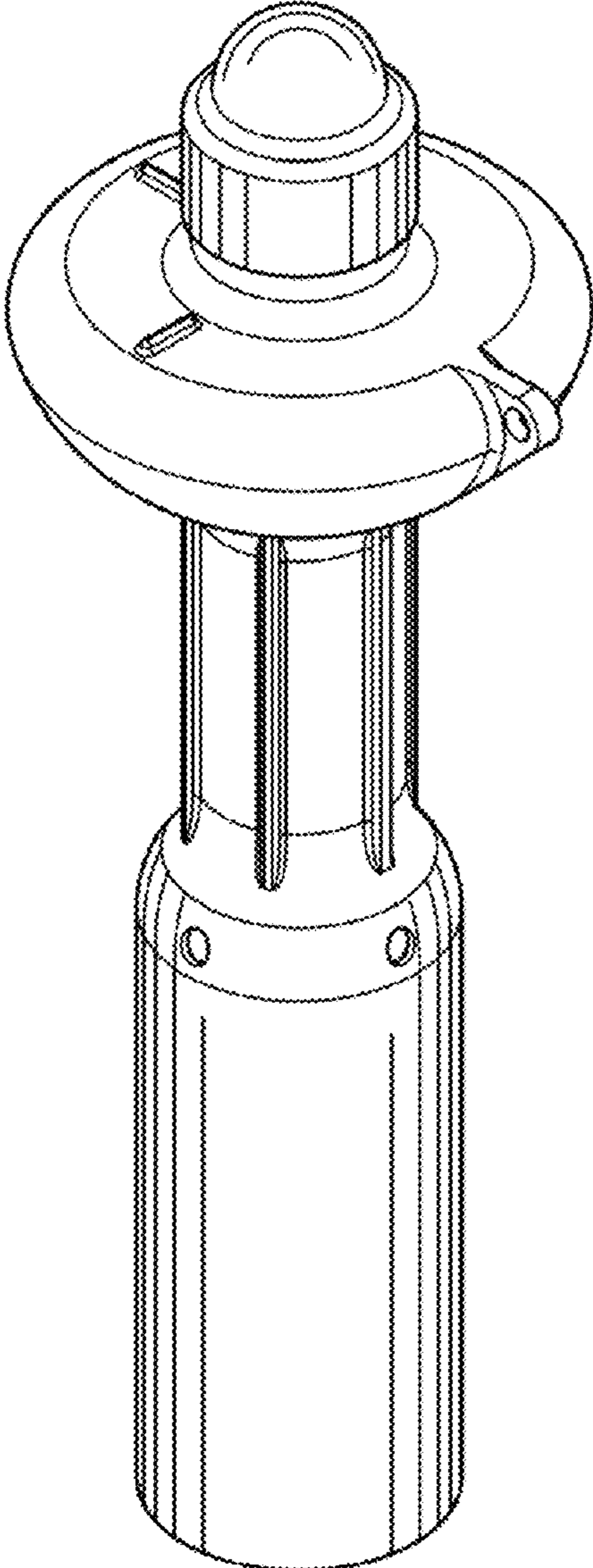


FIG. 1

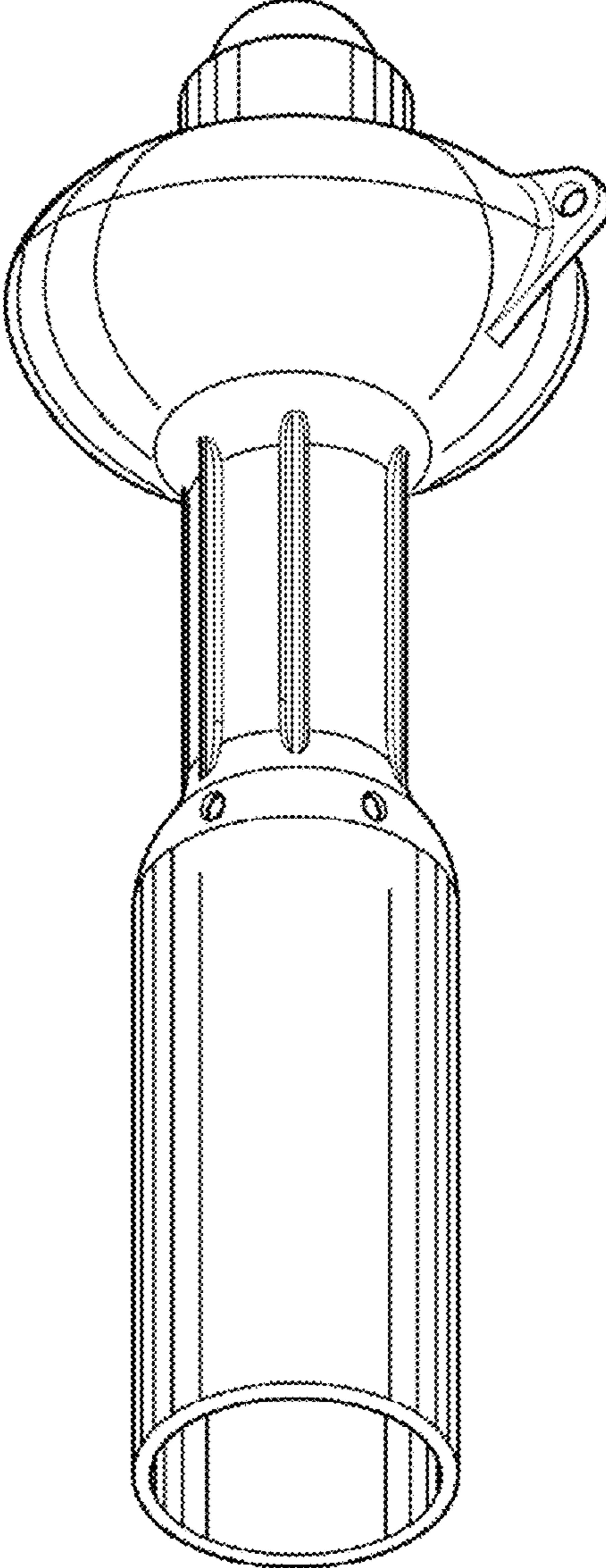


FIG. 2

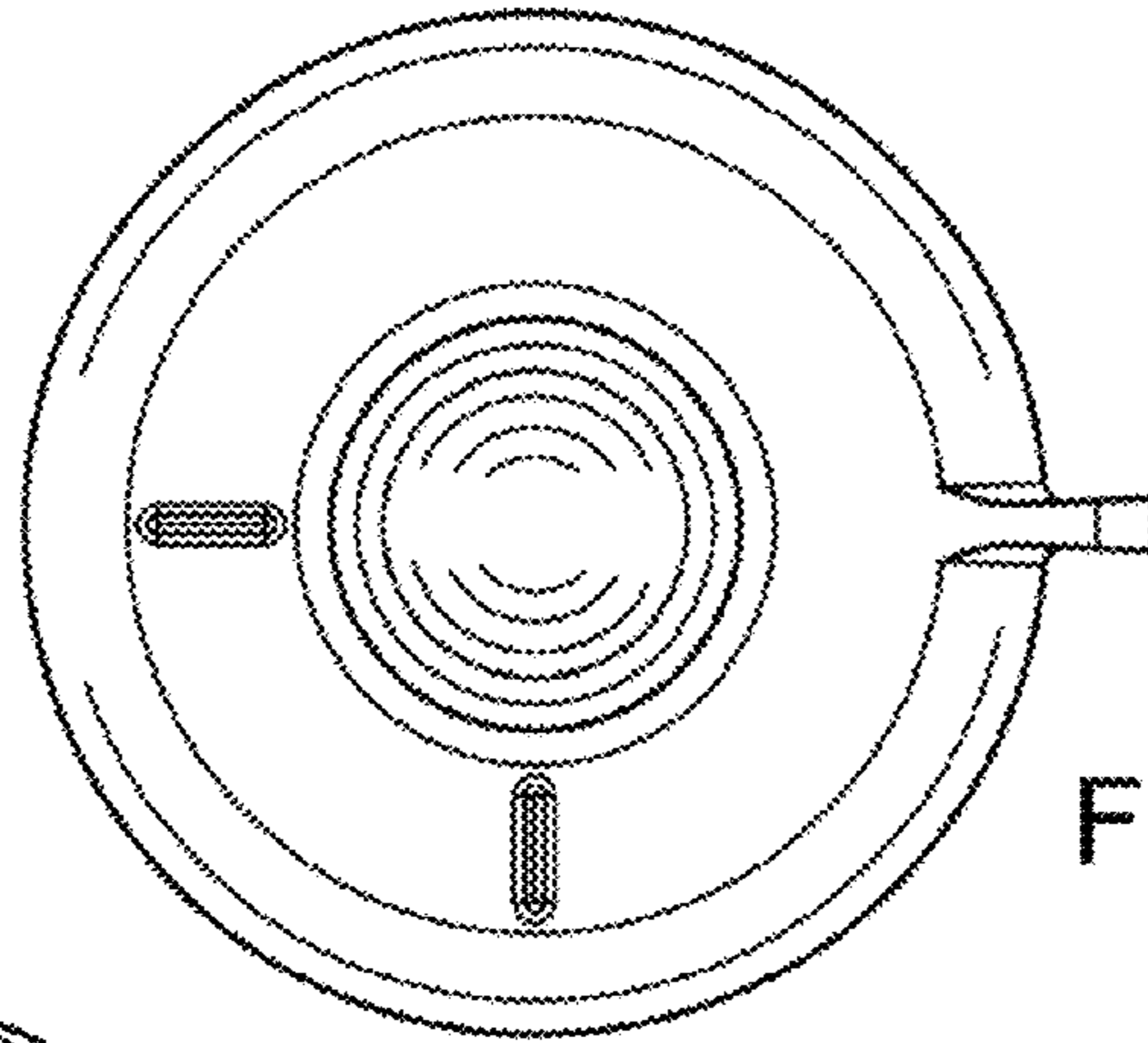


FIG. 3

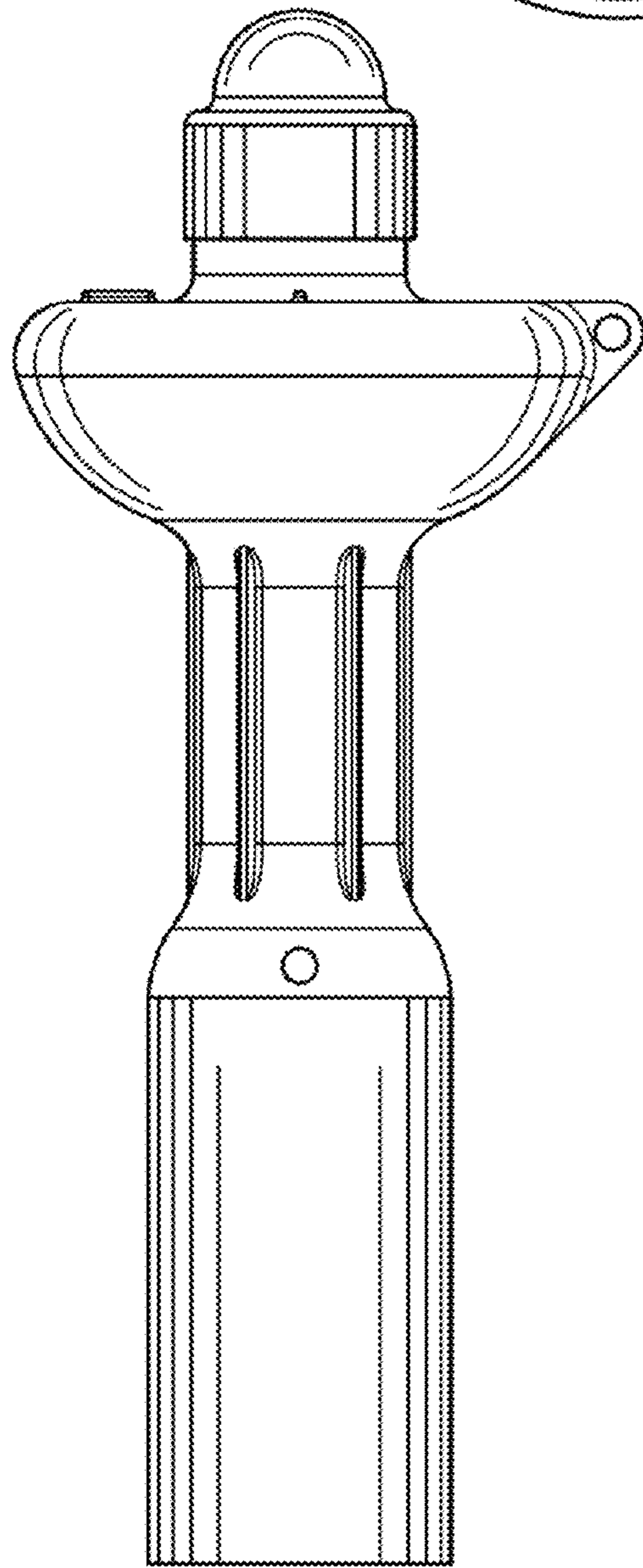


FIG. 4

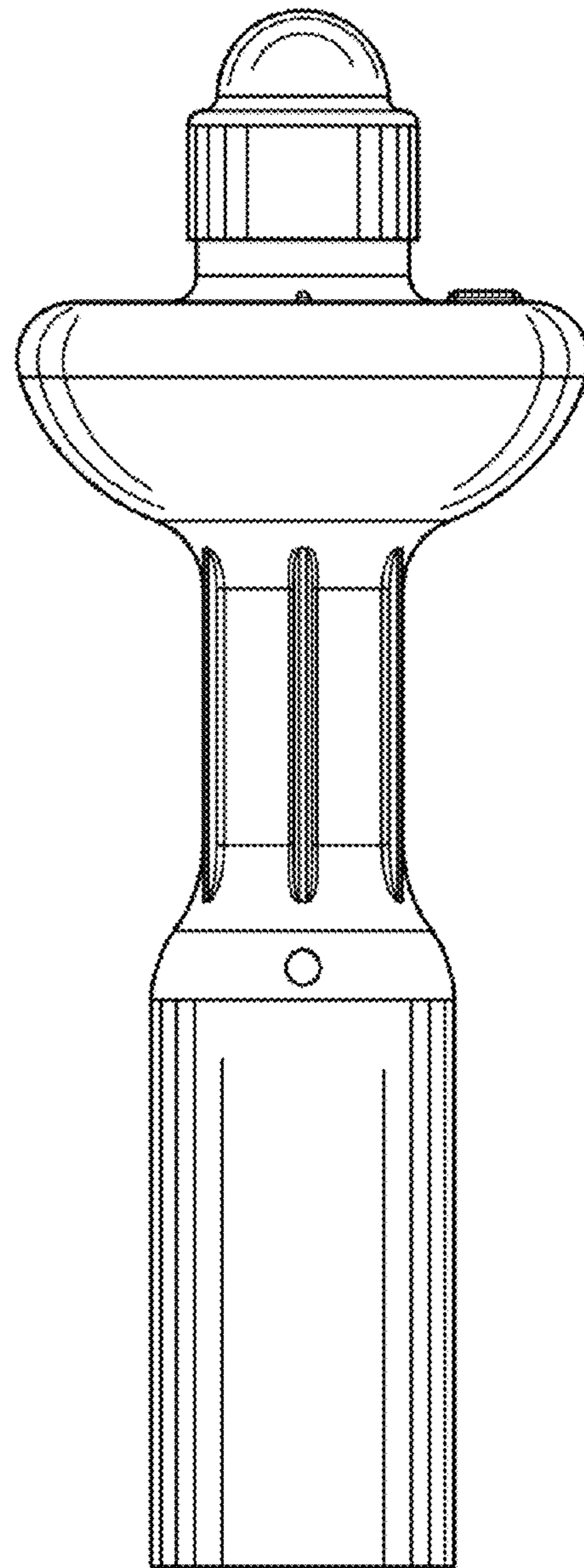


FIG. 5

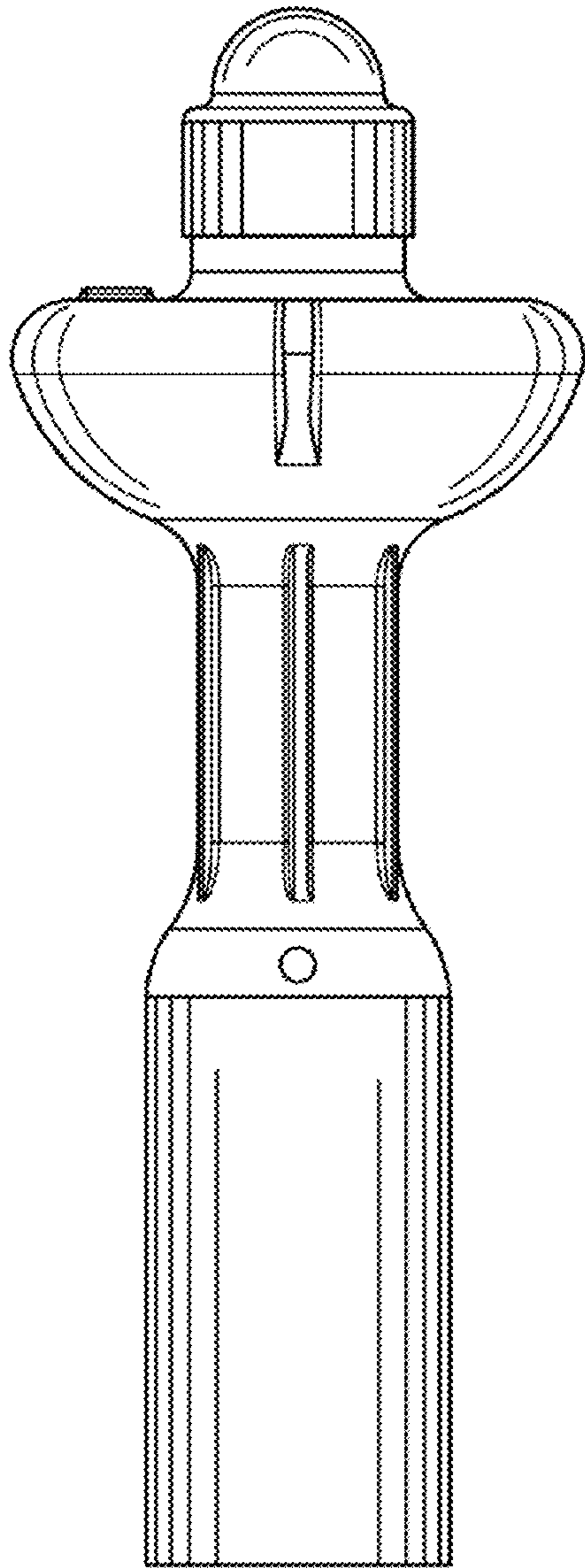


FIG. 6

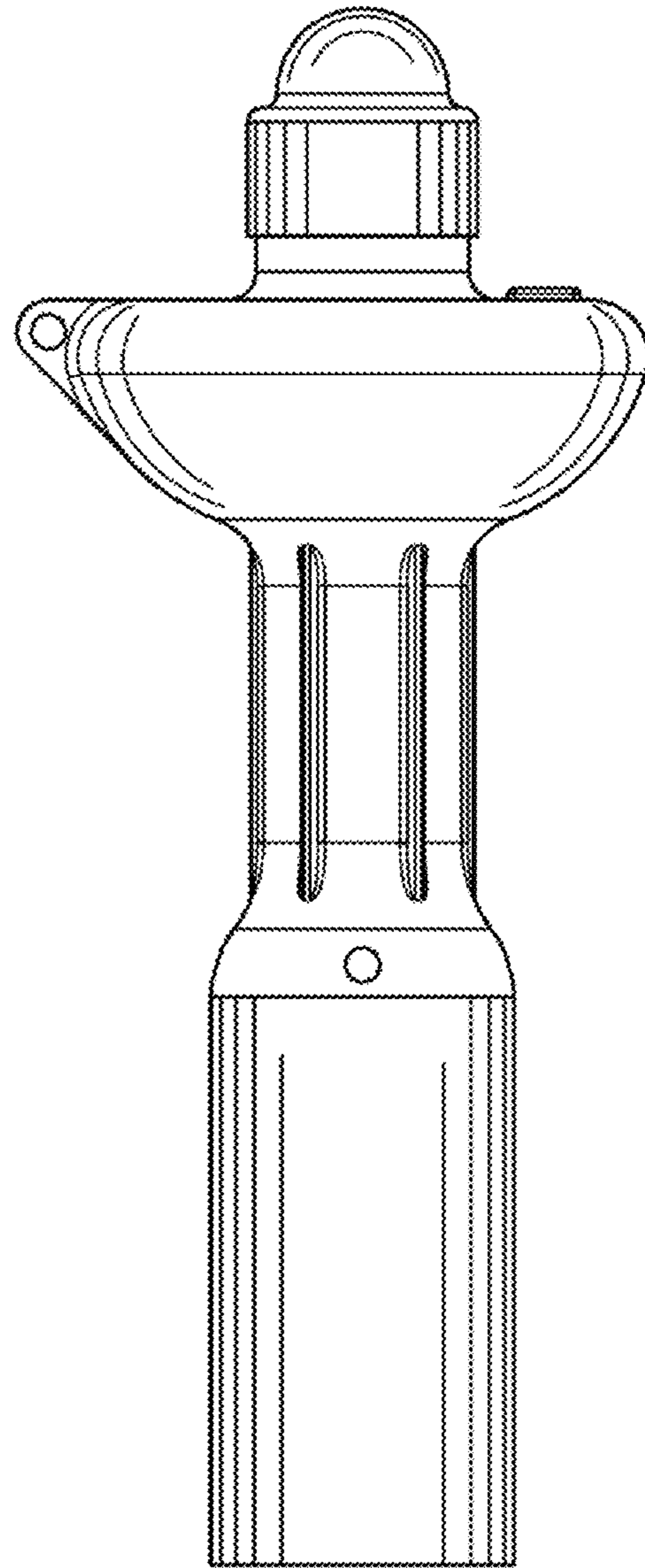


FIG. 7

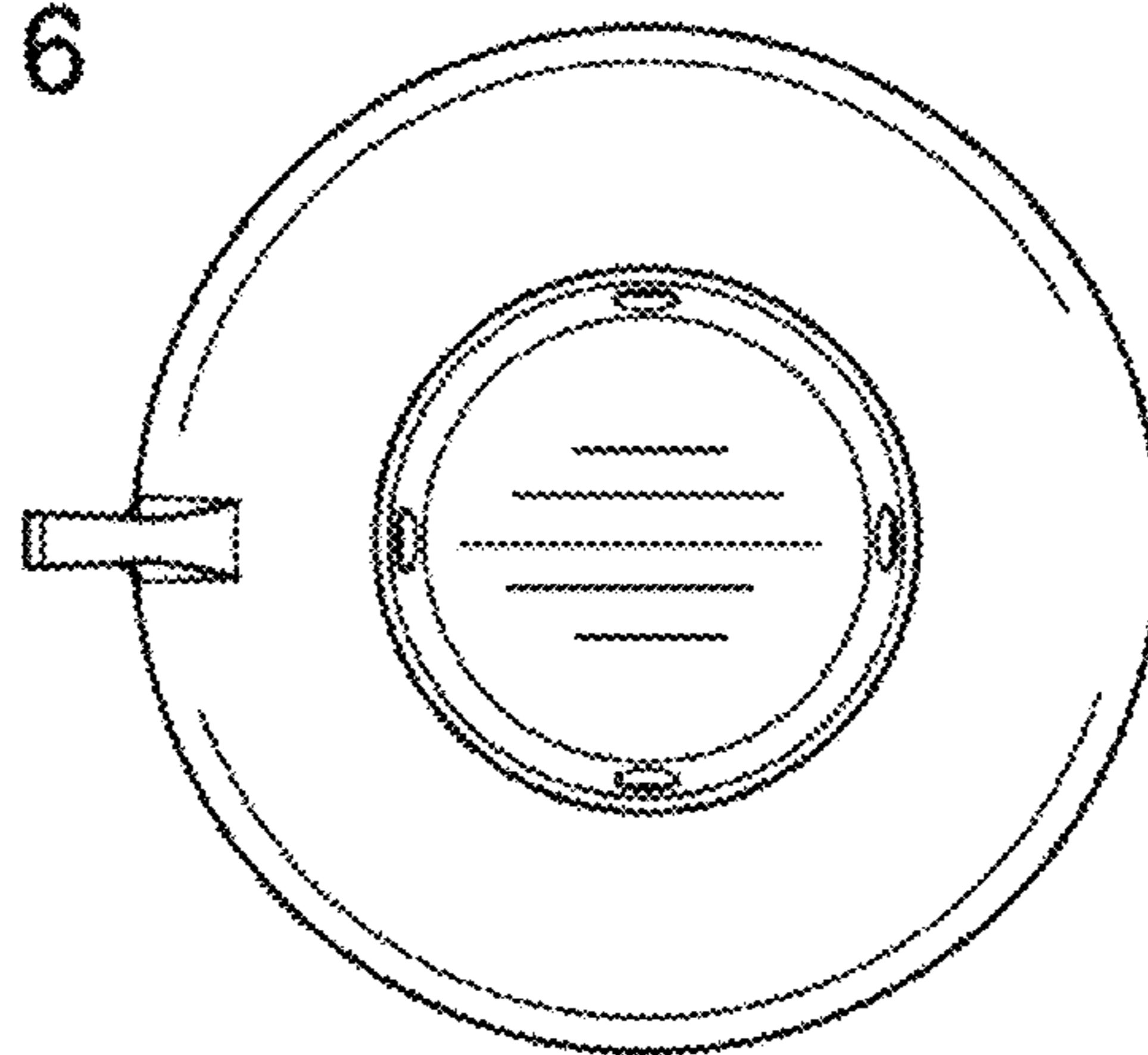


FIG. 8