



US00D720243S

(12) **United States Design Patent**
Elrod

(10) **Patent No.:** **US D720,243 S**

(45) **Date of Patent:** **** Dec. 30, 2014**

(54) **CALIBRATOR CASE**

(71) Applicant: **Fluke Corporation**, Everett, WA (US)

(72) Inventor: **Jeffrey Elrod**, Seattle, WA (US)

(73) Assignee: **Fluke Corporation**, Everett, WA (US)

(**) Term: **14 Years**

(21) Appl. No.: **29/449,322**

(22) Filed: **Mar. 14, 2013**

(51) **LOC (10) Cl.** **10-04**

(52) **U.S. Cl.**

USPC **D10/52; D10/57**

(58) **Field of Classification Search**

CPC A61B 5/01; G01K 13/002; G01J 5/02;
G01J 5/021; G01J 5/08; G01J 5/0022; G01J
5/0025; G01J 5/0265; G01J 5/0887; G01J
2005/068

USPC D10/78, 52, 53, 57; 374/1-3, 158, 129,
374/209, 163, 172, E15.001, E7.042;
600/184, 474, 549; 702/99

See application file for complete search history.

(56) **References Cited**

U.S. PATENT DOCUMENTS

4,428,685 A * 1/1984 Lemelson et al. 374/163
4,479,596 A 10/1984 Swanson

(Continued)

FOREIGN PATENT DOCUMENTS

WO 00/02362 A1 1/2000

OTHER PUBLICATIONS

European Search Report dated Nov. 19, 2013, in European Applica-
tion No. 13152473.8, filed Jan. 24, 2013, 8 pages.

Primary Examiner — Antoine D Davis

(74) *Attorney, Agent, or Firm* — Christensen O'Connor
Johnson Kindness PLLC

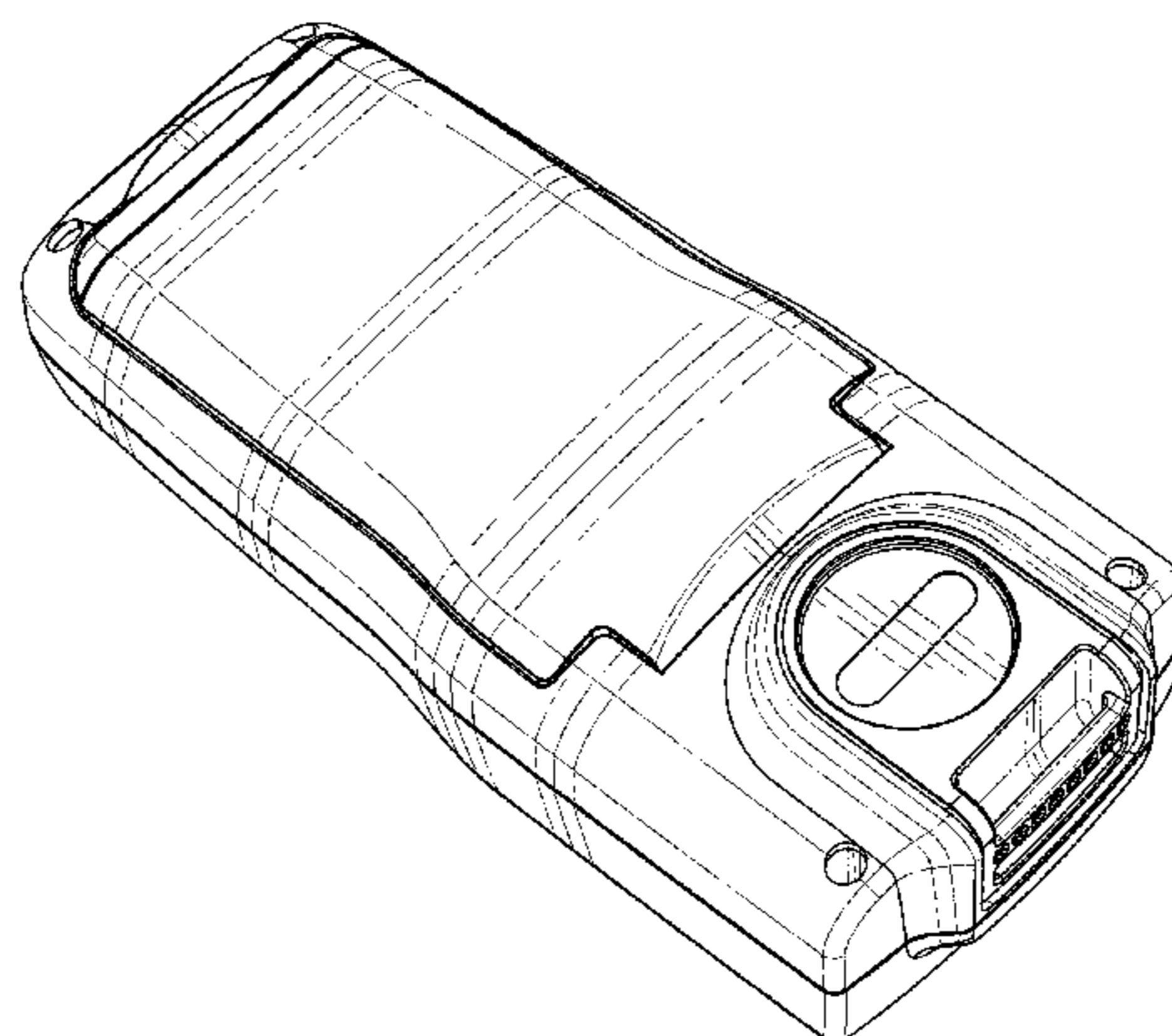
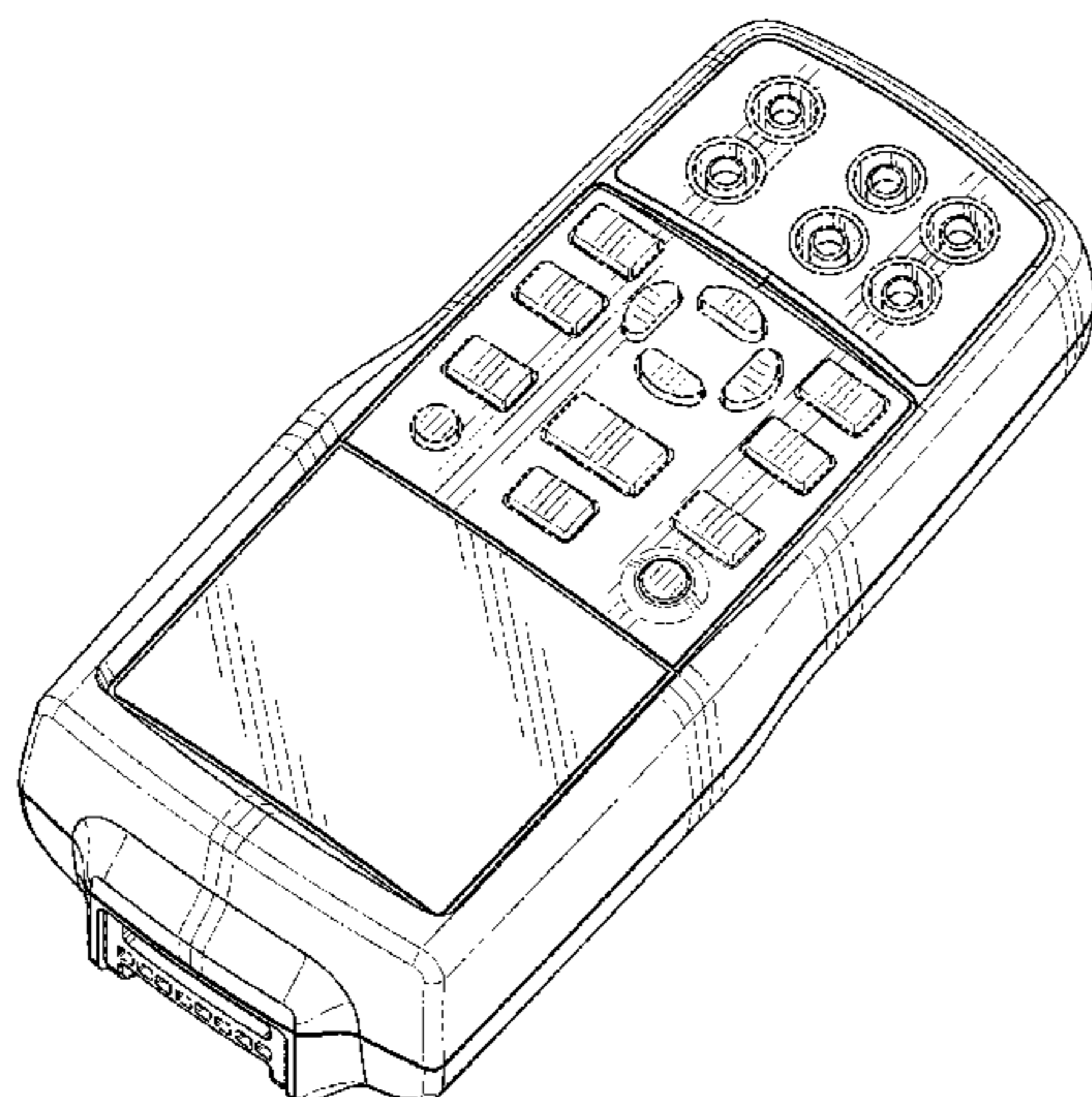
(57) **CLAIM**

The ornamental design for a calibrator case, as shown and
described.

DESCRIPTION

FIG. 1 is a front perspective view of a calibrator case.
FIG. 2 is a back perspective view thereof.
FIG. 3 is a front plan view thereof.
FIG. 4 is a back plan view thereof.
FIG. 5 is a left view thereof.
FIG. 6 is a right view thereof.
FIG. 7 is a bottom view thereof.
FIG. 8 is a top view thereof.
FIG. 9 is a front perspective view of a second embodiment of
a calibrator case.
FIG. 10 is a back perspective view thereof.
FIG. 11 is a front plan view thereof.
FIG. 12 is a back plan view thereof.
FIG. 13 is a left view thereof.
FIG. 14 is a right view thereof.
FIG. 15 is a bottom view thereof.
FIG. 16 is a top view thereof.
FIG. 17 is a front perspective view of a third embodiment of
a calibrator case.
FIG. 18 is a back perspective view thereof.
FIG. 19 is a front plan view thereof.
FIG. 20 is a back plan view thereof.
FIG. 21 is a left view thereof.
FIG. 22 is a right view thereof.
FIG. 23 is a bottom view thereof.
FIG. 24 is a top view thereof.
FIG. 25 is a front perspective view of a fourth embodiment of
a calibrator case.
FIG. 26 is a back perspective view thereof.
FIG. 27 is a front plan view thereof.
FIG. 28 is a back plan view thereof.
FIG. 29 is a left view thereof.
FIG. 30 is a right view thereof.
FIG. 31 is a bottom view thereof; and,
FIG. 32 is a top view thereof.
The broken lines form no part of the claimed design.

1 Claim, 24 Drawing Sheets



(56)

References Cited

U.S. PATENT DOCUMENTS

4,601,589 A * 7/1986 Meisner 374/208
 5,025,966 A 6/1991 Potter
 5,535,928 A 7/1996 Herring
 5,655,305 A * 8/1997 Fletcher 374/170
 D410,204 S * 5/1999 Hendriks D10/78
 6,076,789 A 6/2000 Jackson
 6,209,769 B1 4/2001 Seals et al.
 D446,135 S * 8/2001 Chen D10/57
 D448,314 S * 9/2001 Chen D10/57
 6,318,687 B2 11/2001 Trana
 D460,923 S * 7/2002 Chen D10/52
 6,412,674 B1 7/2002 Lipke

D481,321 S * 10/2003 Knieriem et al. D10/57
 D504,335 S * 4/2005 Stevenson et al. D10/57
 6,880,737 B2 4/2005 Bauer
 D535,202 S * 1/2007 Sisk et al. D10/57
 7,192,186 B2 * 3/2007 Blakeley, III 374/120
 7,255,475 B2 * 8/2007 Quinn et al. 374/163
 7,640,632 B2 1/2010 Lazarus
 7,722,747 B2 * 5/2010 Keigler et al. 204/297.09
 8,123,401 B2 * 2/2012 Price 374/158
 8,449,476 B2 * 5/2013 Waldhoff et al. 600/549
 D689,381 S * 9/2013 Branck et al. D10/57
 8,727,608 B2 * 5/2014 Blakeley, III 374/16
 2006/0196069 A1 9/2006 Groepper
 2013/0170823 A1 7/2013 McDonald
 2014/0042294 A1 2/2014 Marzynski et al.

* cited by examiner

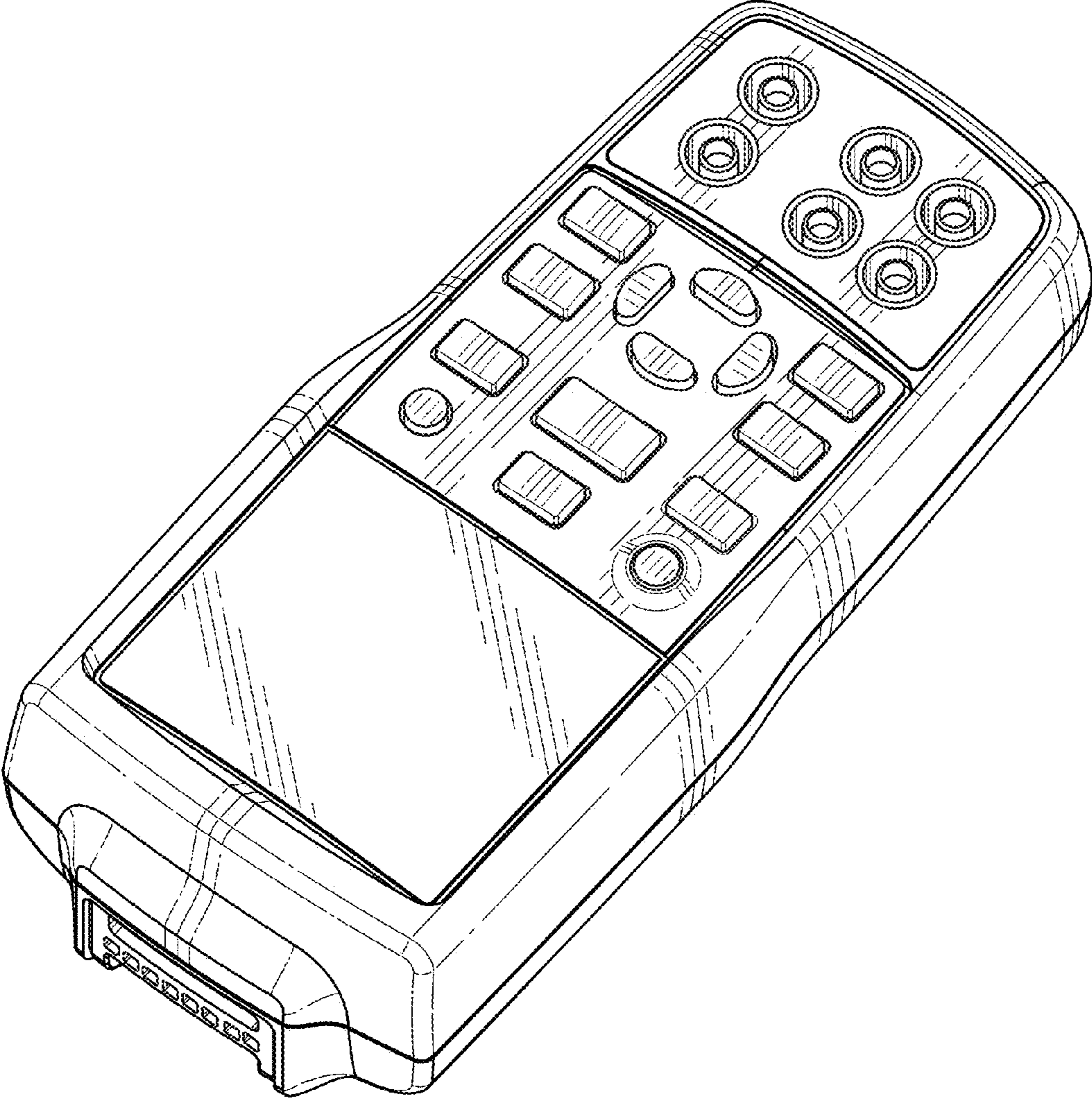


FIG. 1

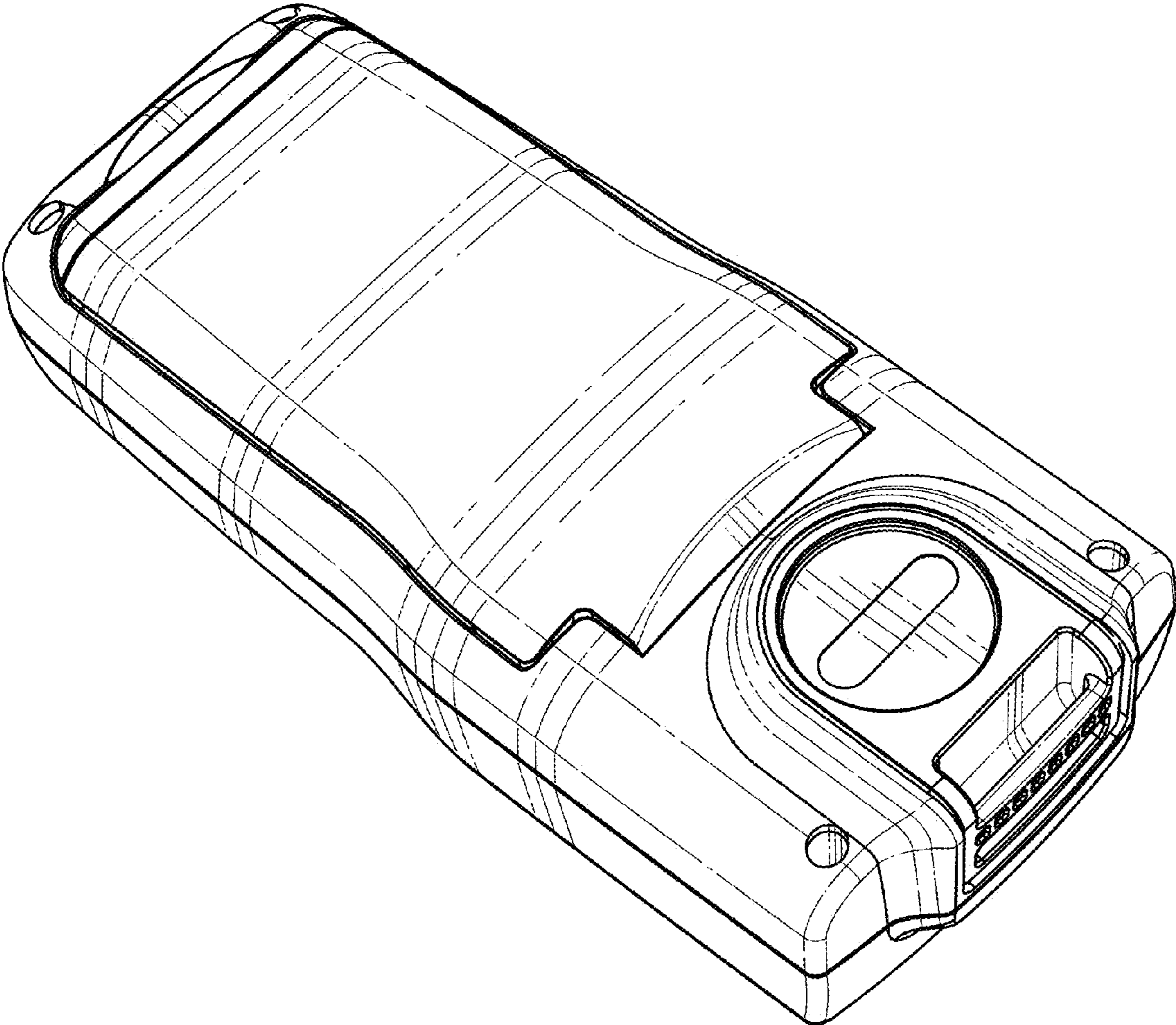


FIG. 2

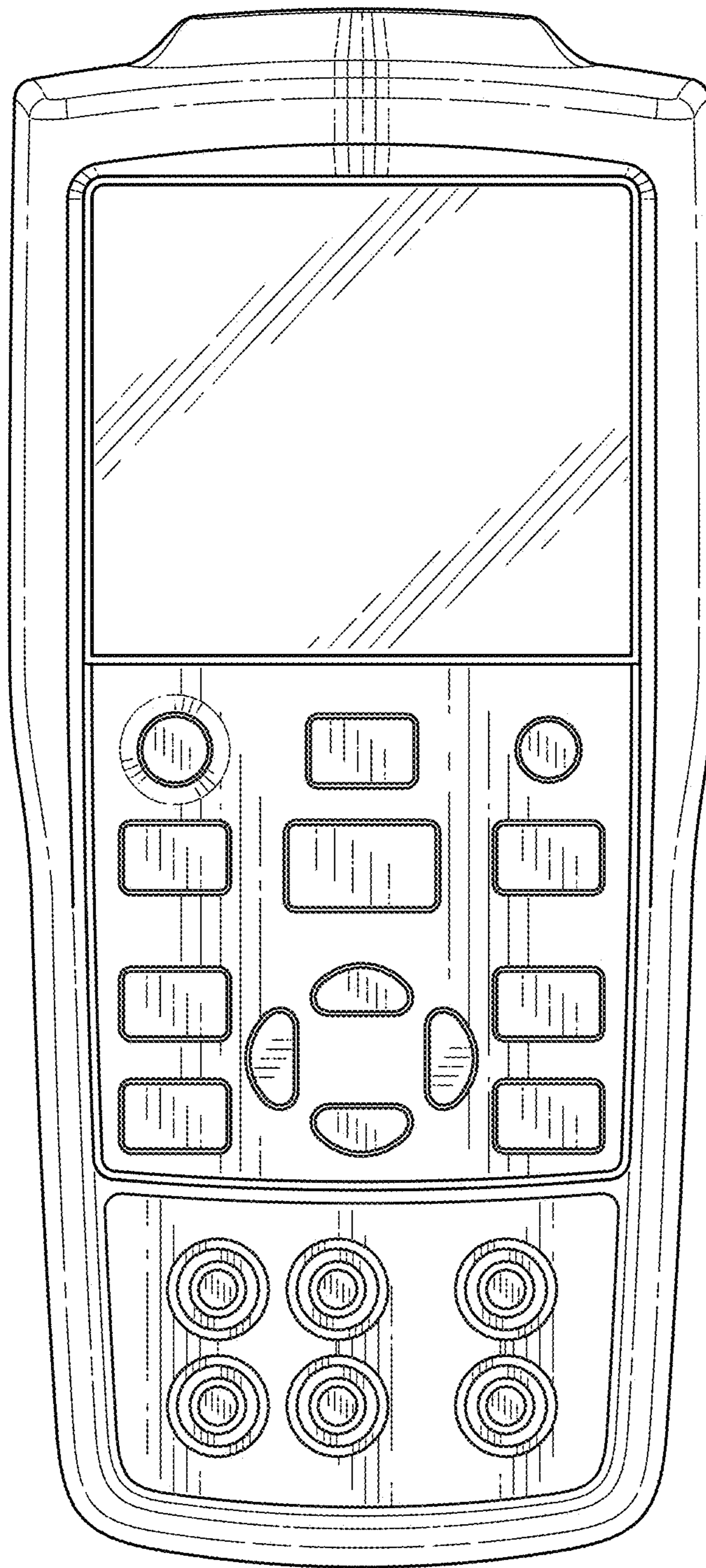


FIG. 3

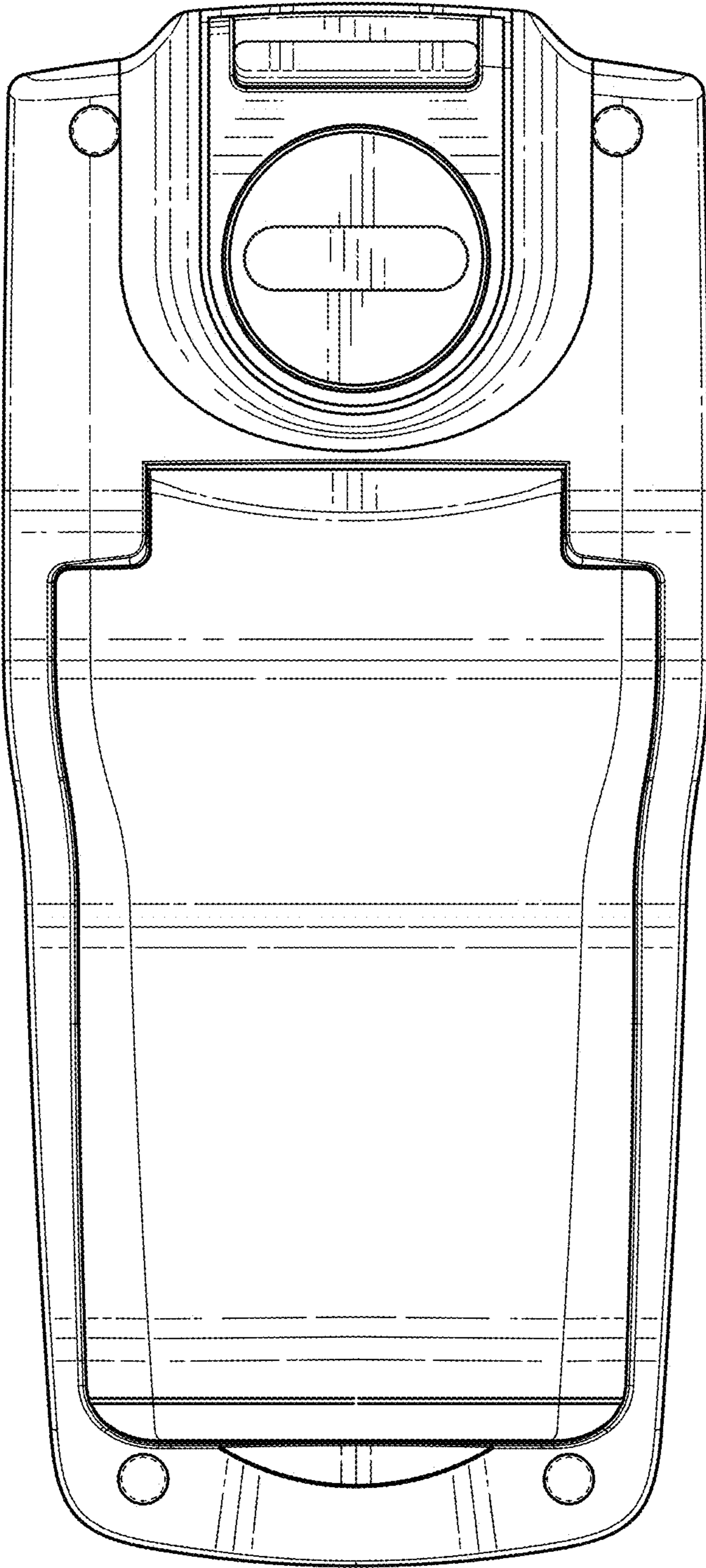


FIG. 4

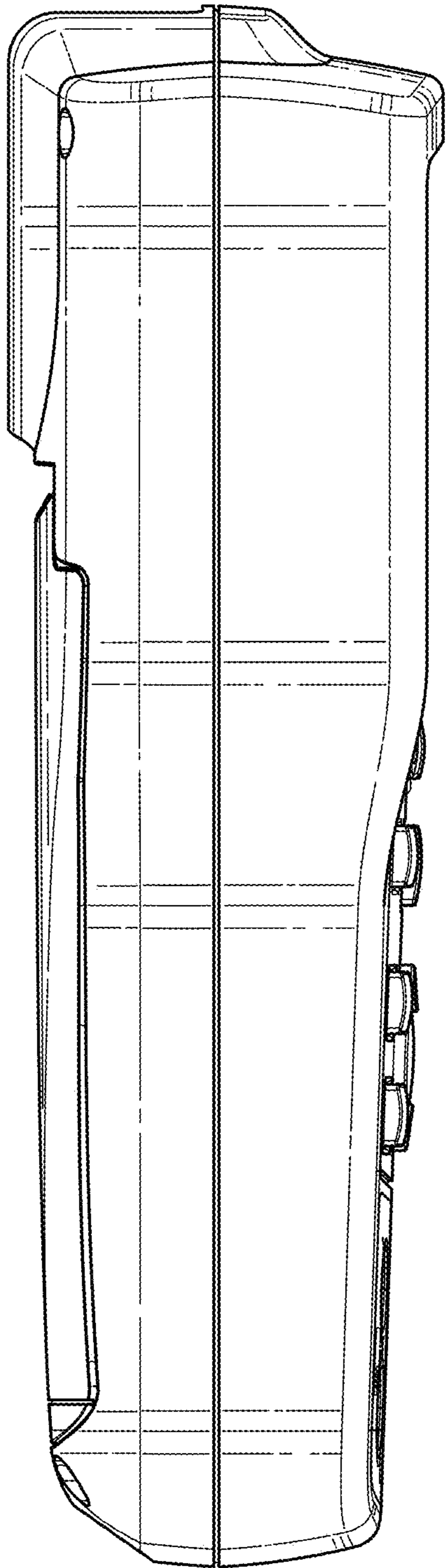


FIG. 5

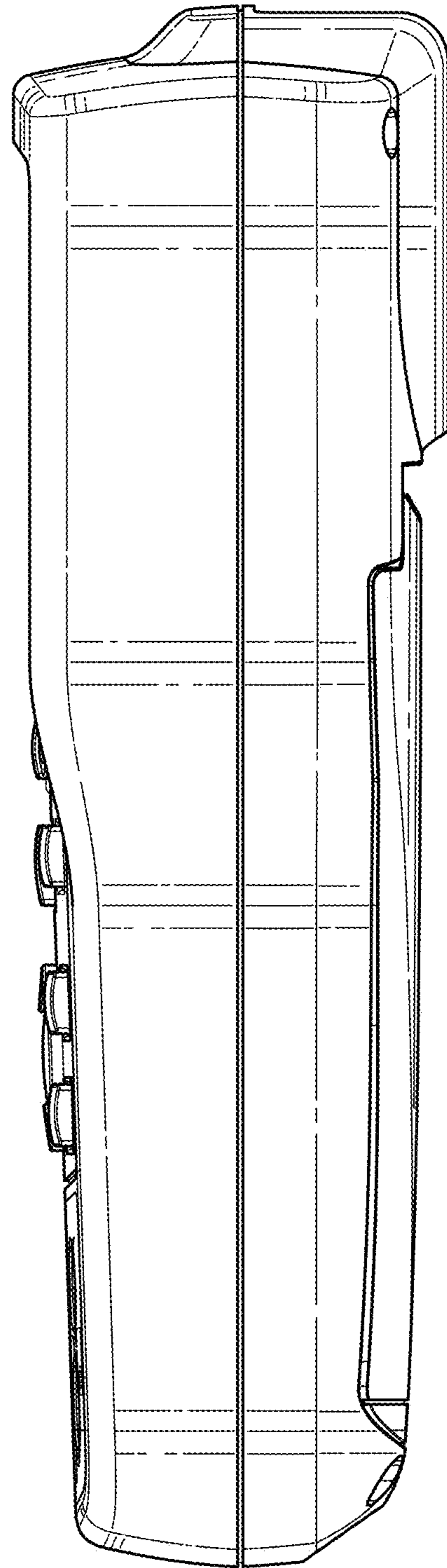


FIG. 6

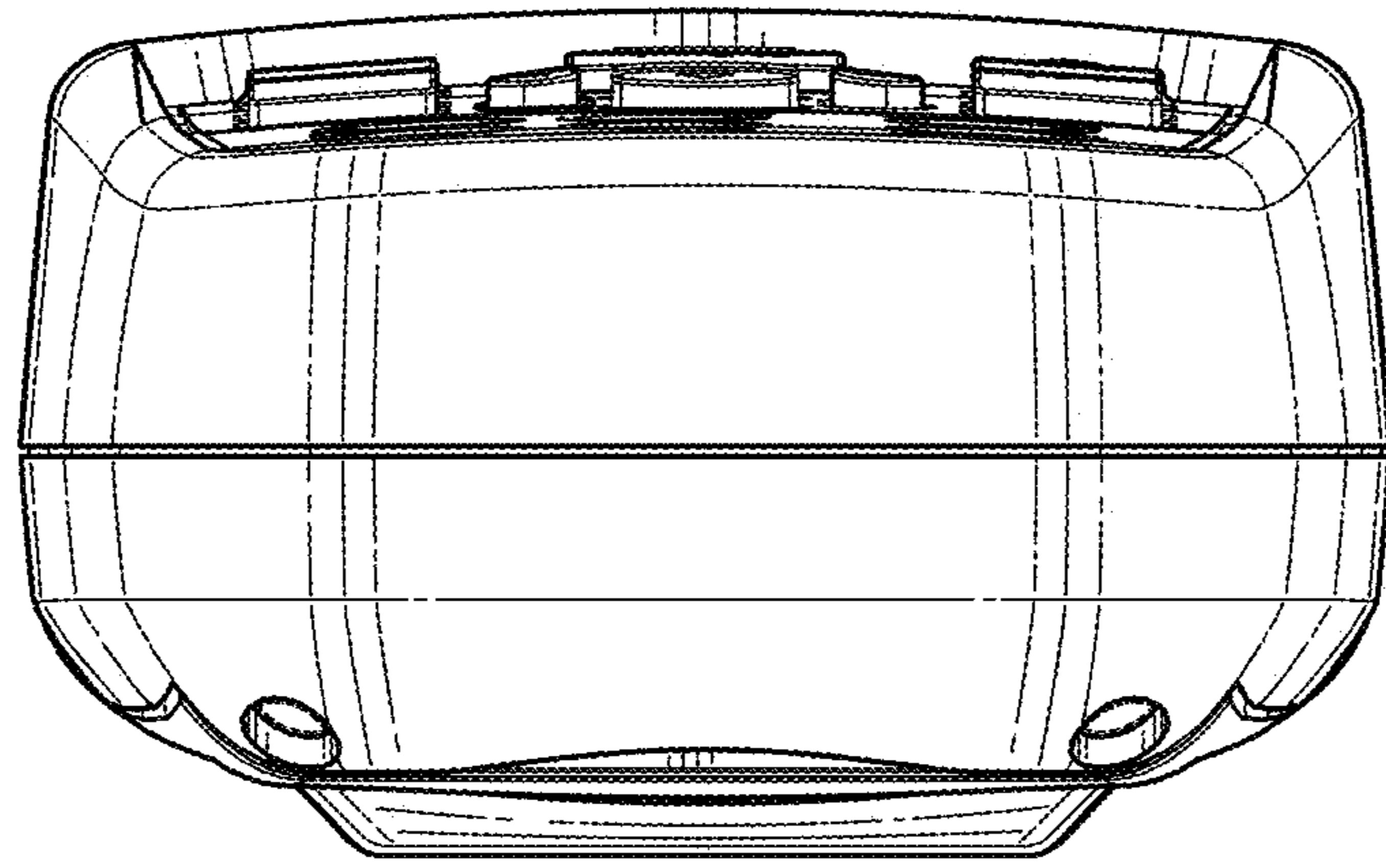


FIG. 7

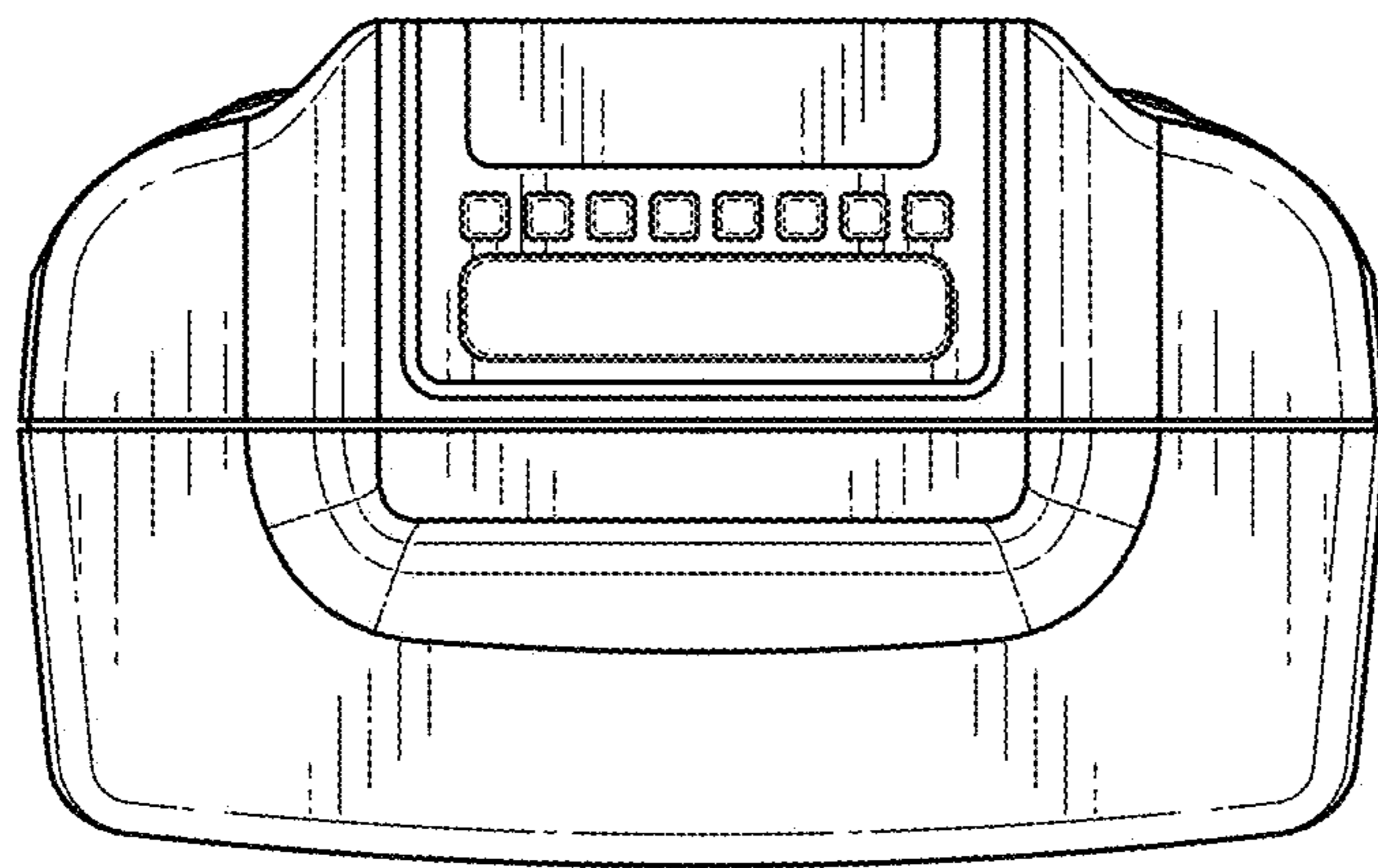


FIG. 8

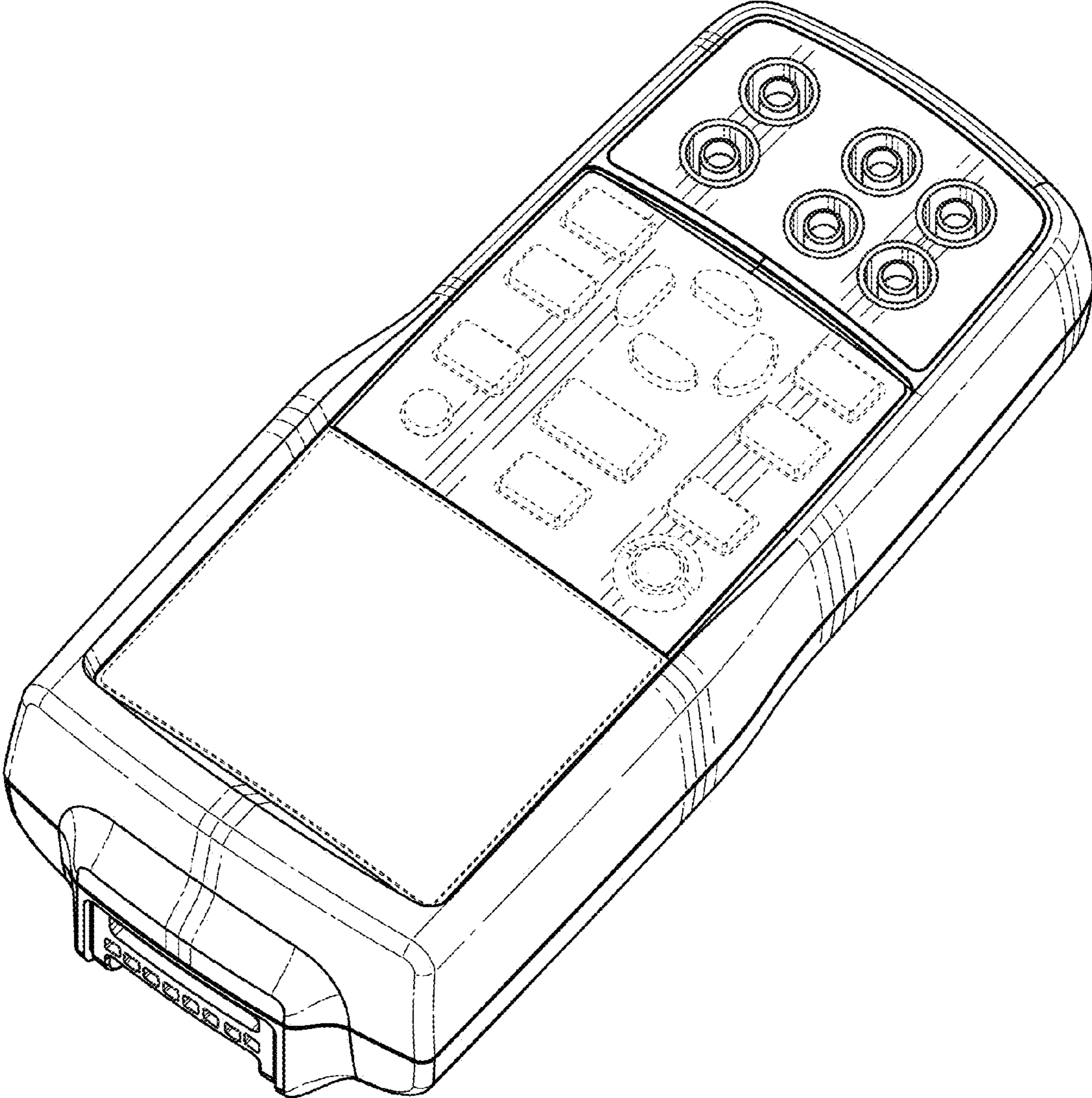


FIG. 9

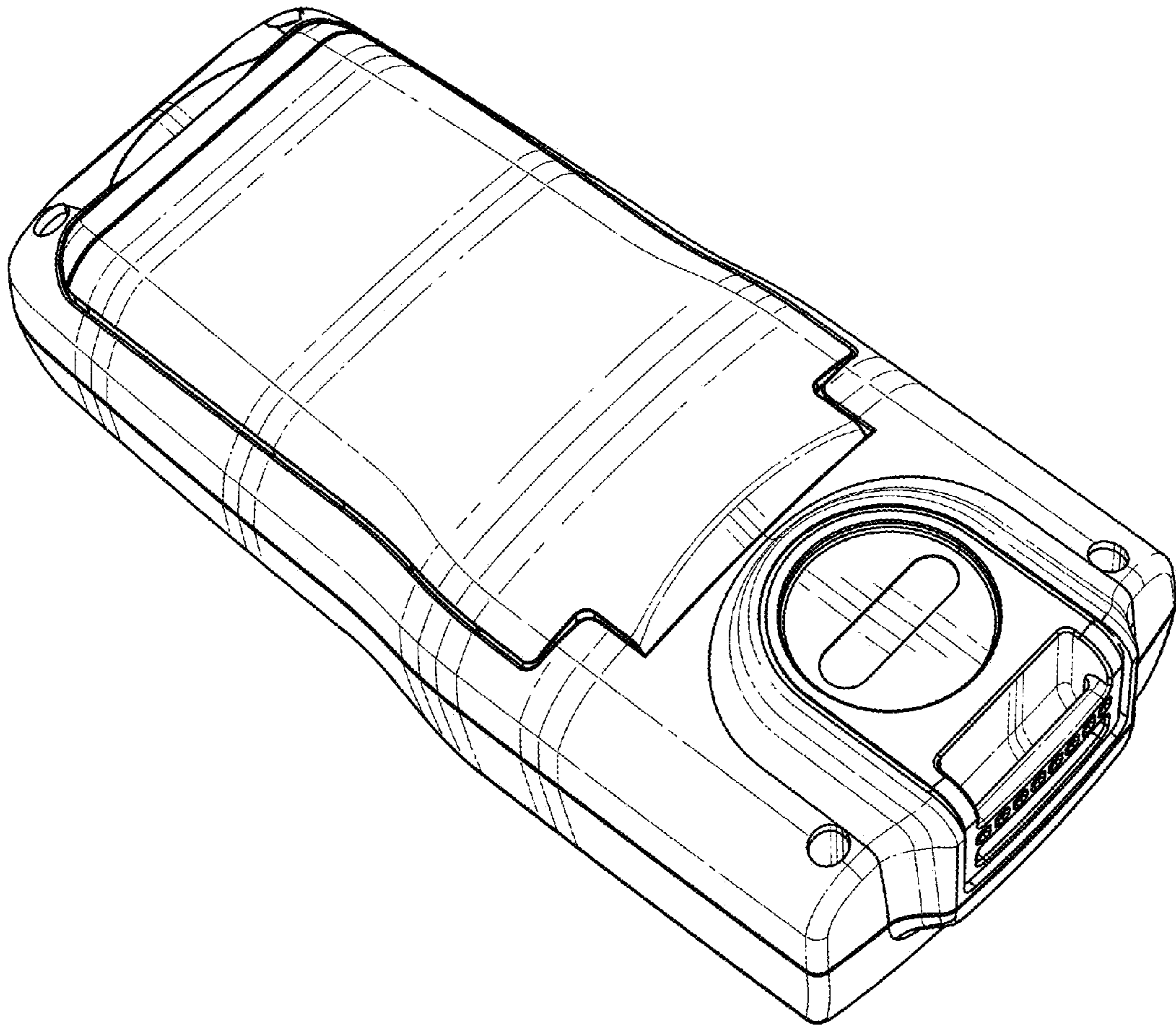


FIG. 10

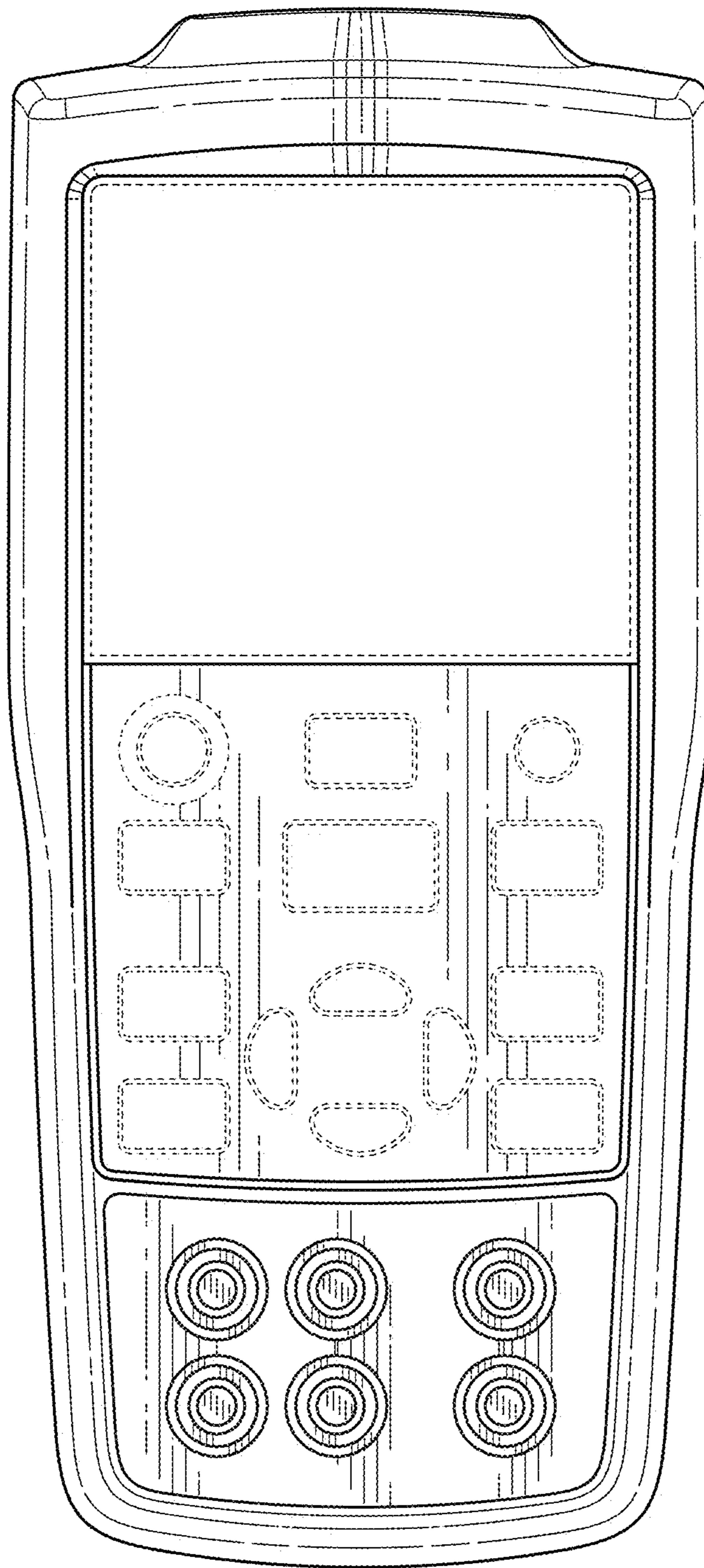


FIG. 11

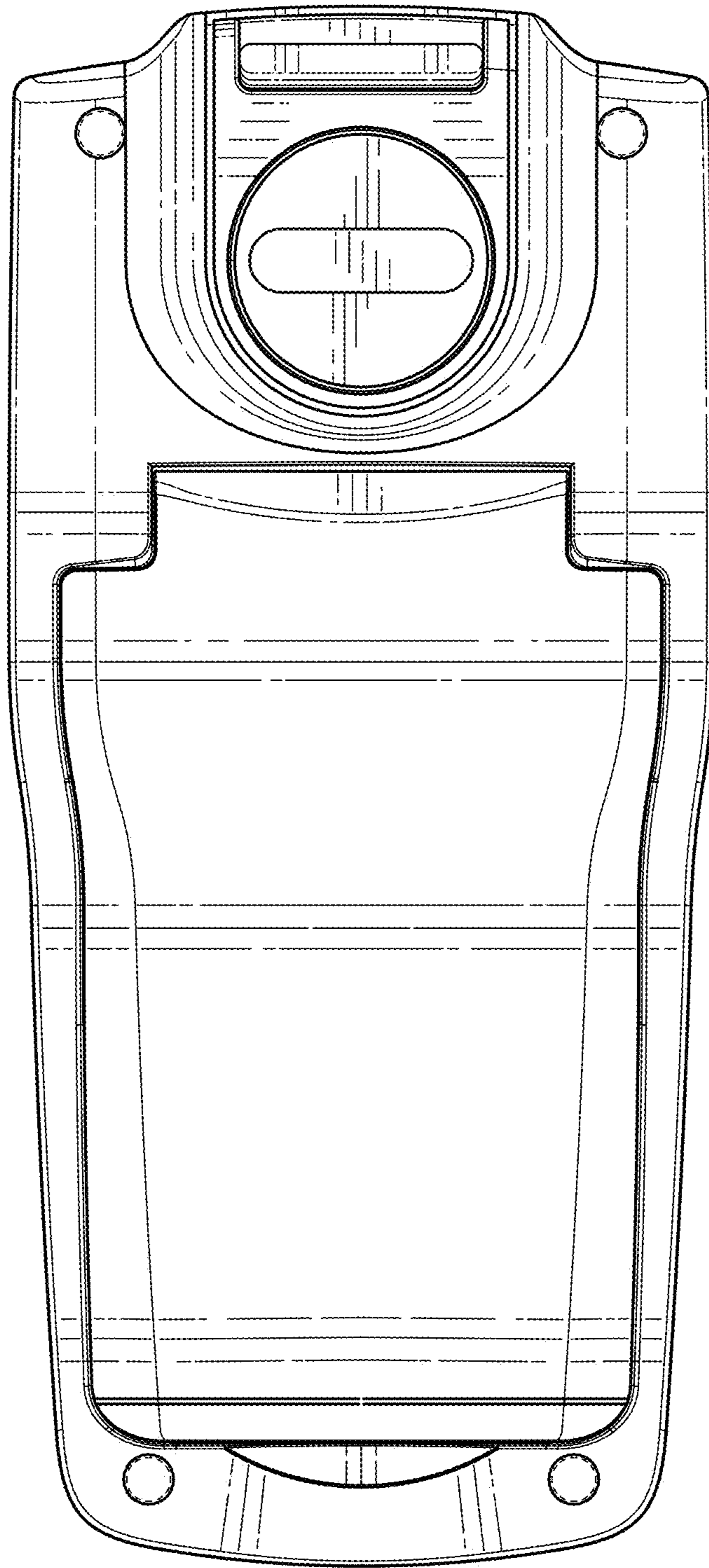


FIG. 12

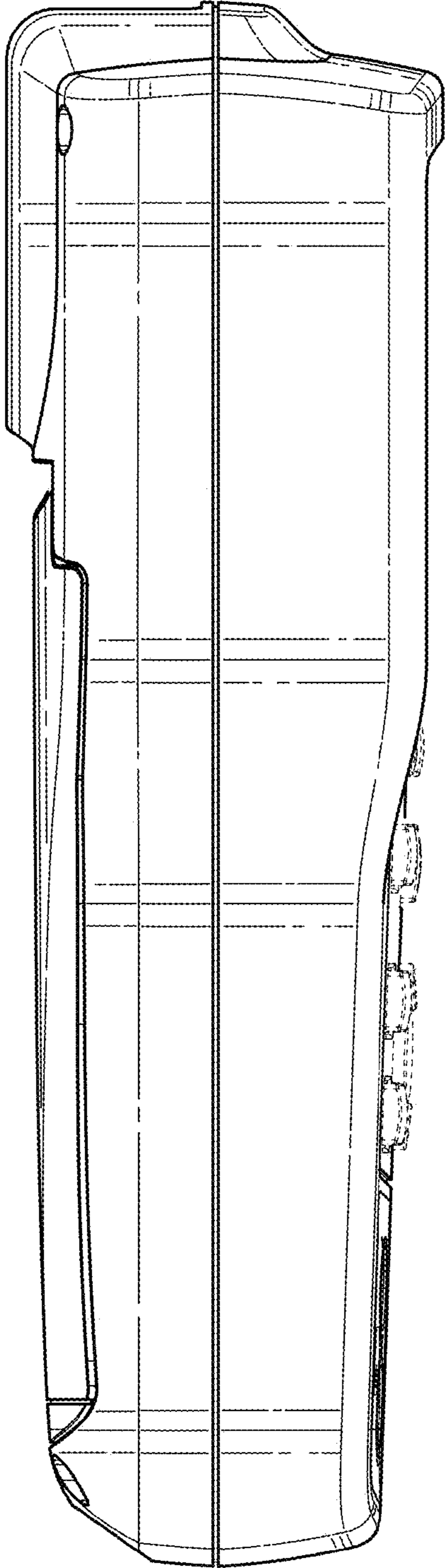


FIG. 13

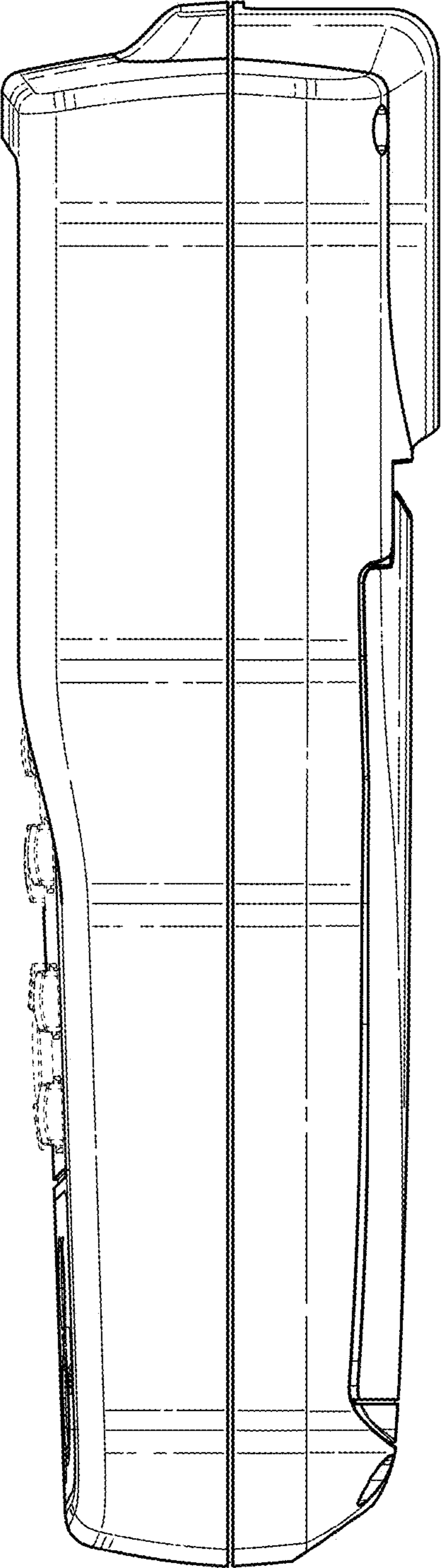


FIG. 14

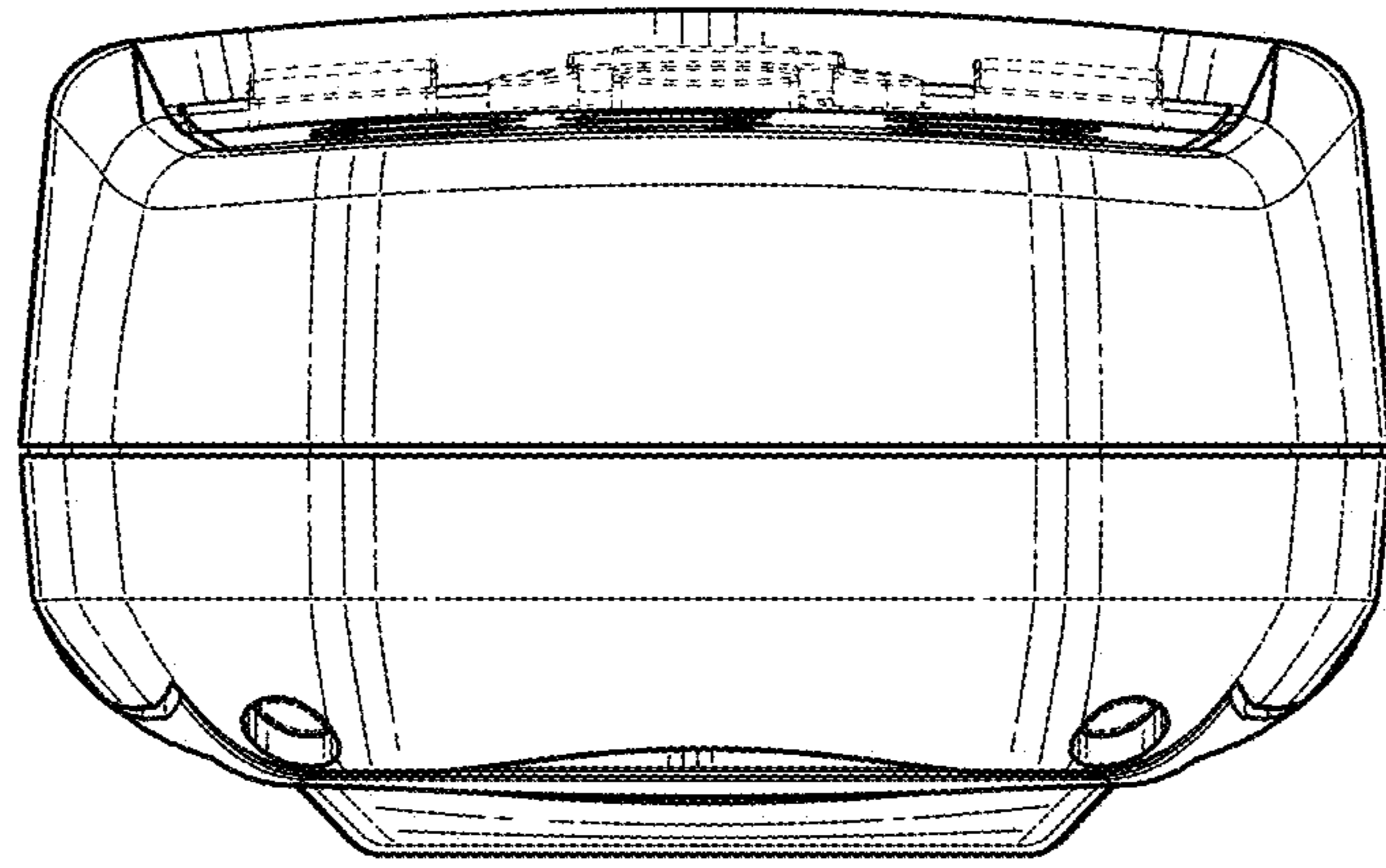


FIG. 15

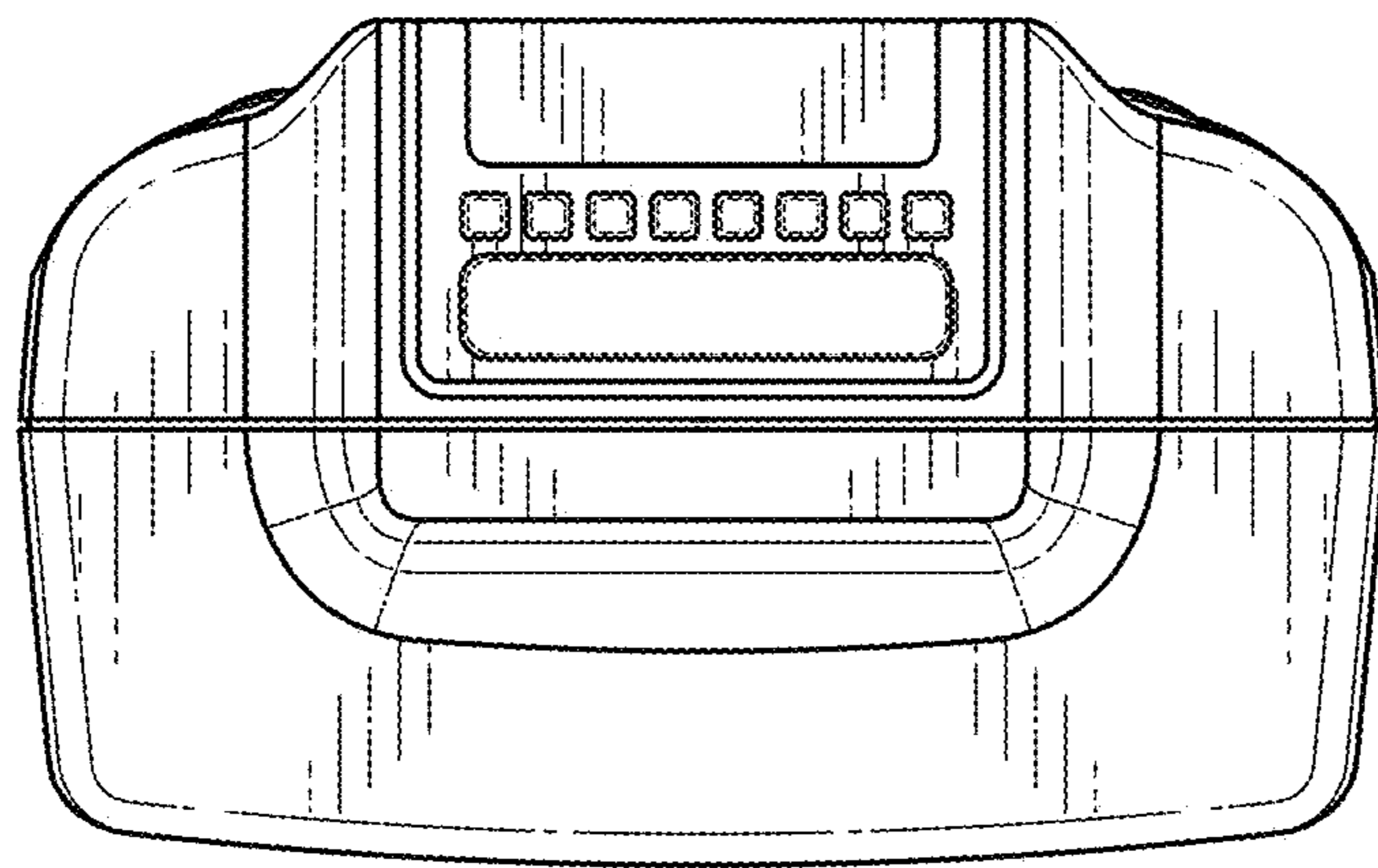


FIG. 16



FIG. 17

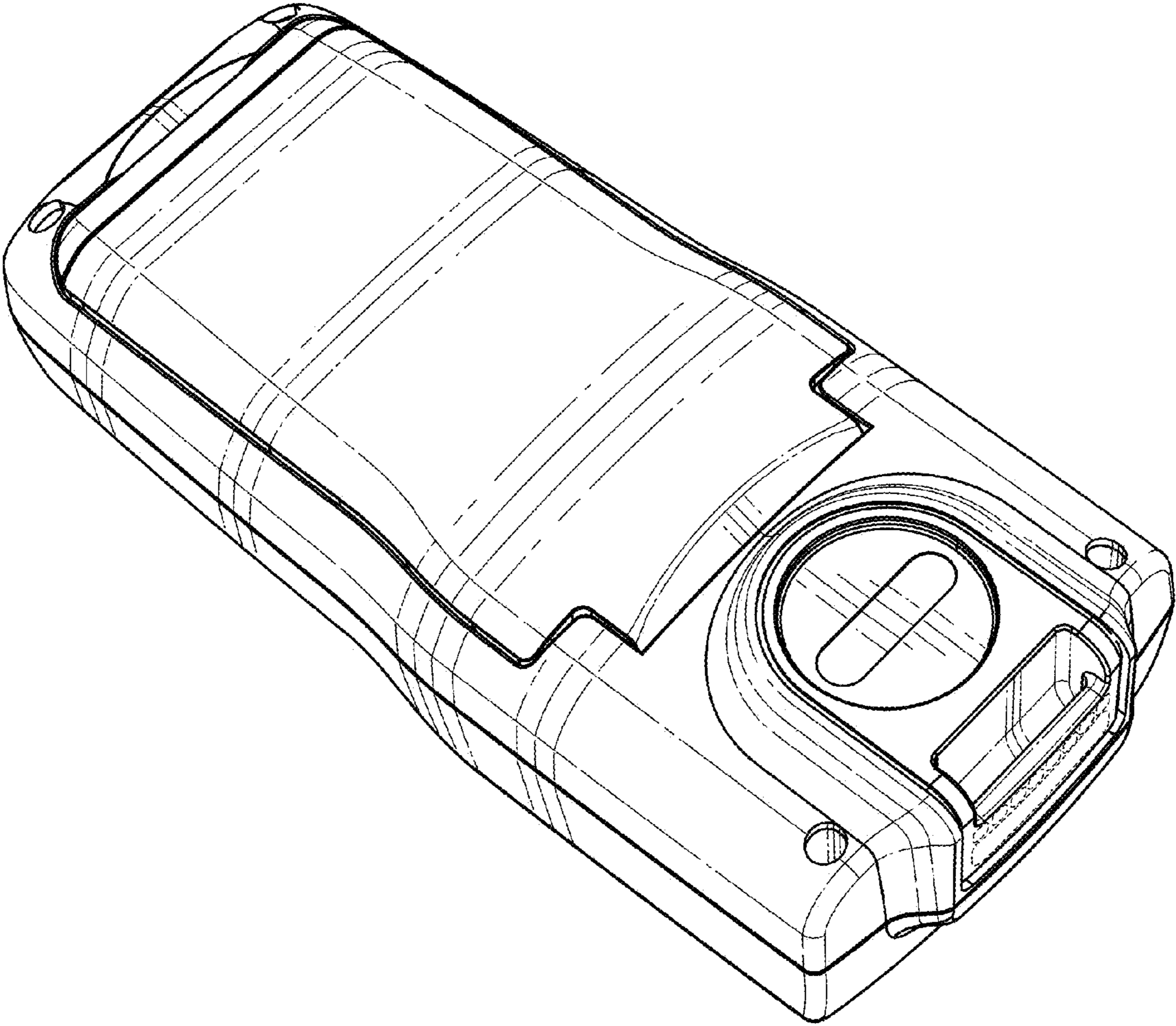


FIG. 18

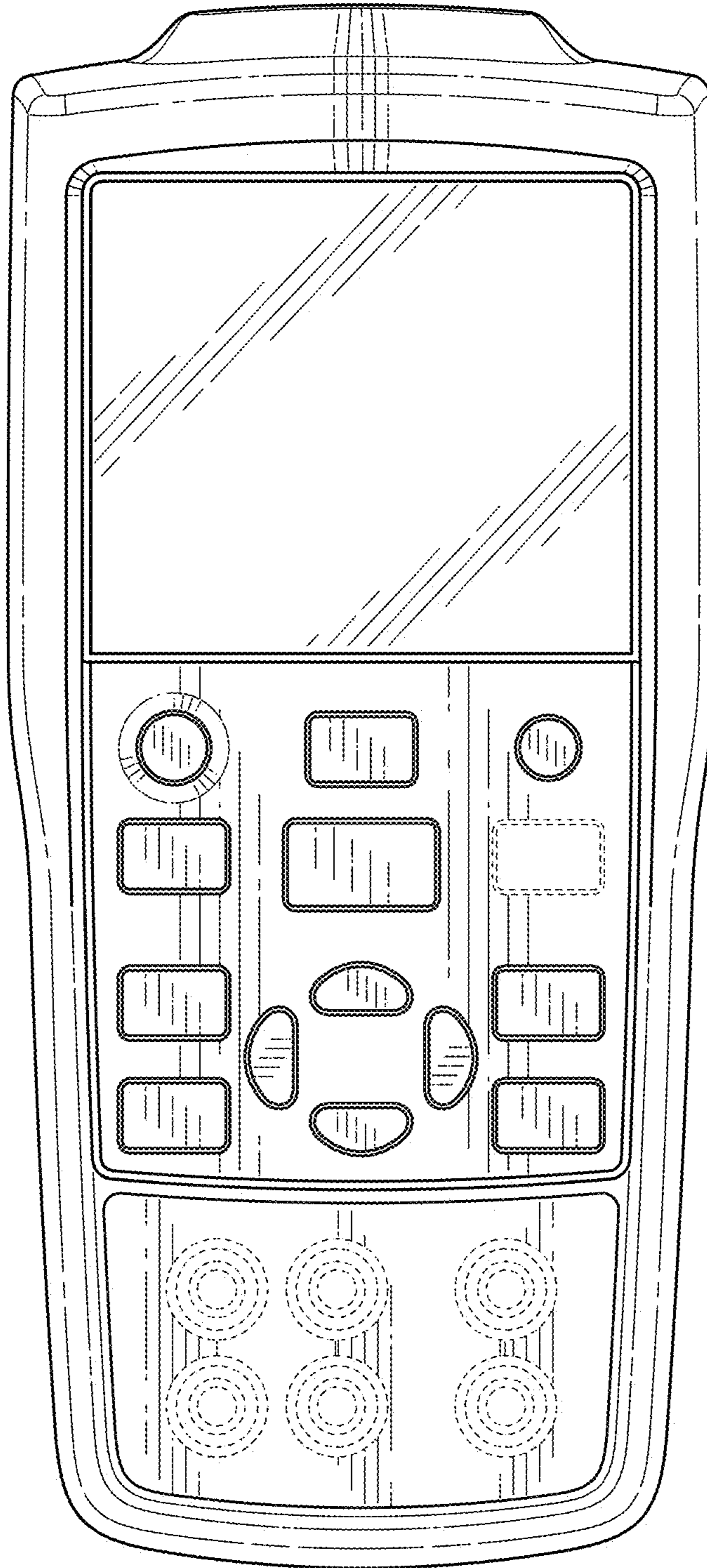


FIG. 19

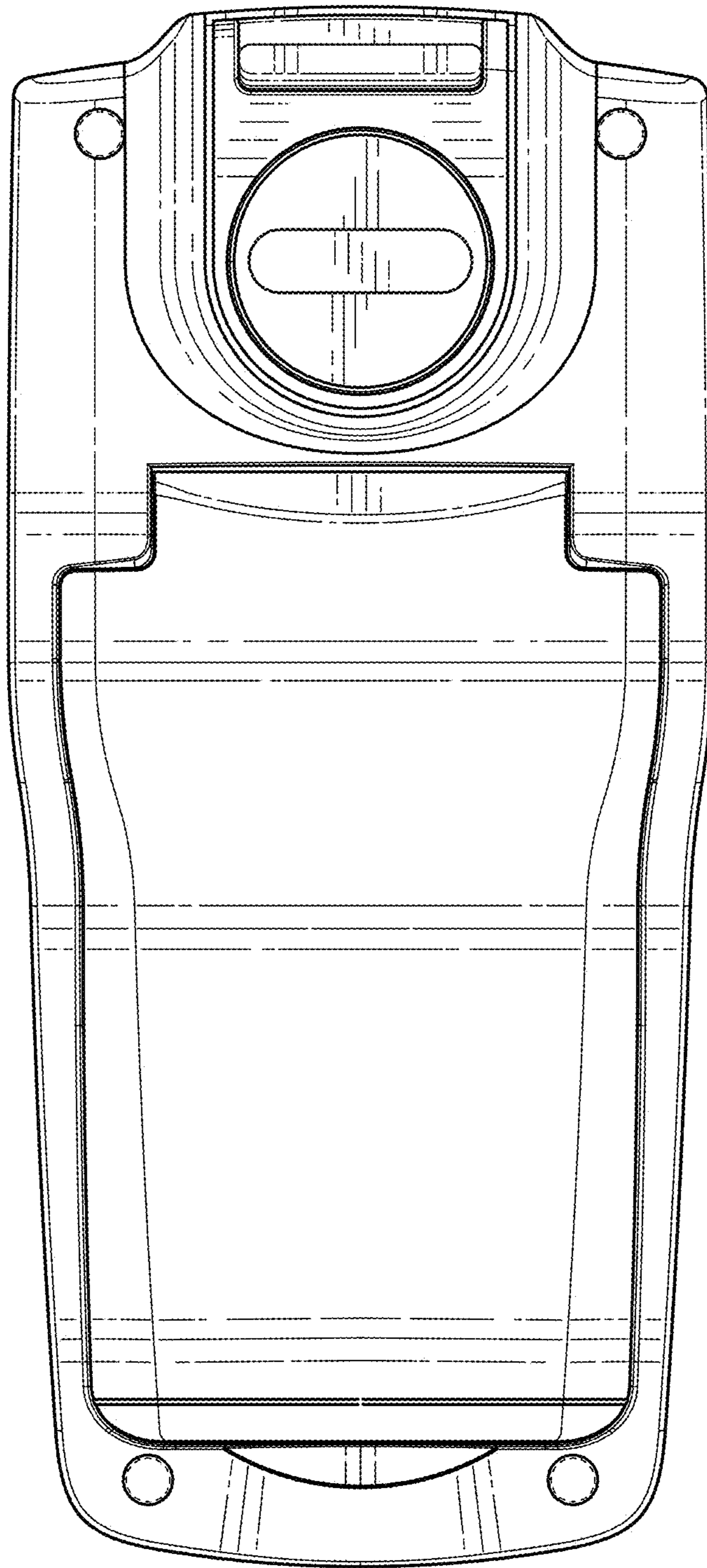


FIG. 20

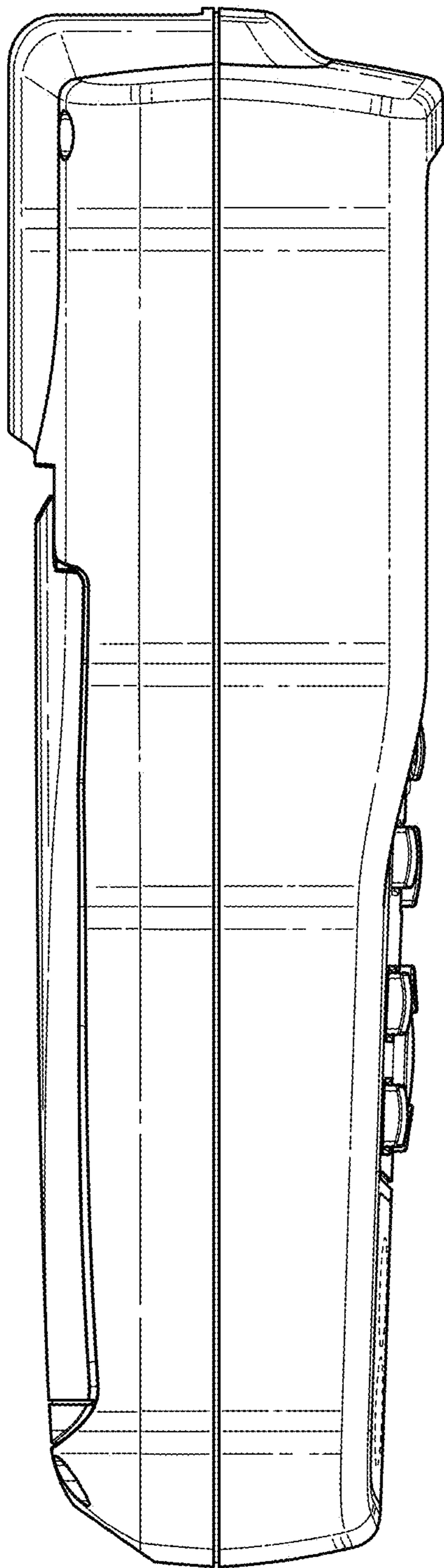


FIG. 21

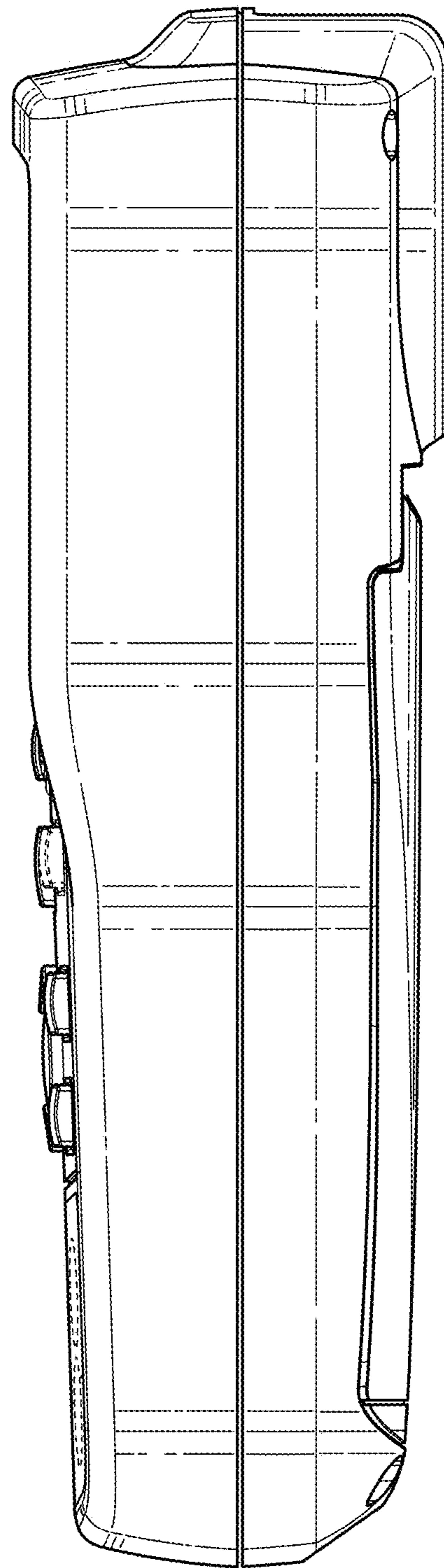


FIG. 22

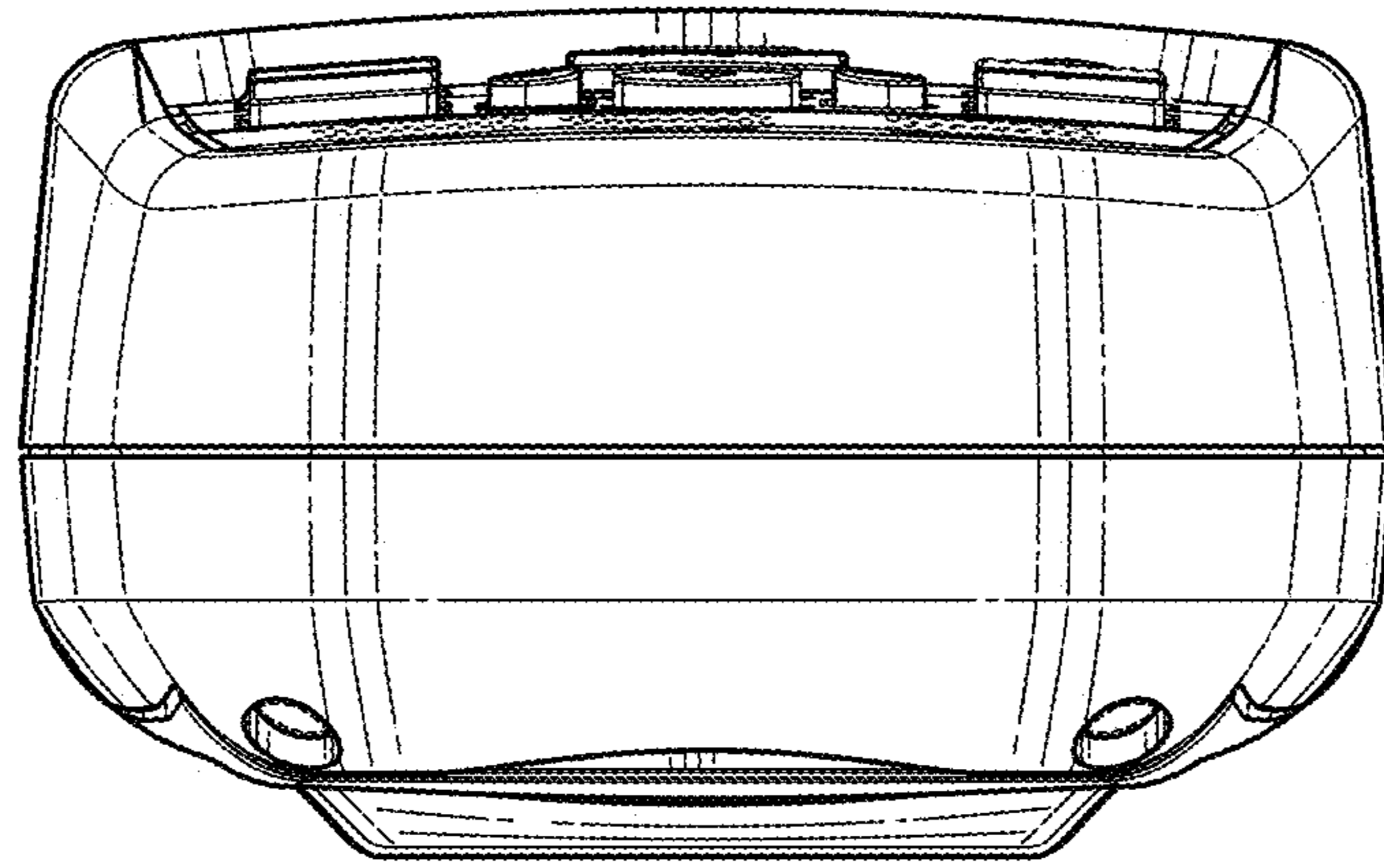


FIG. 23

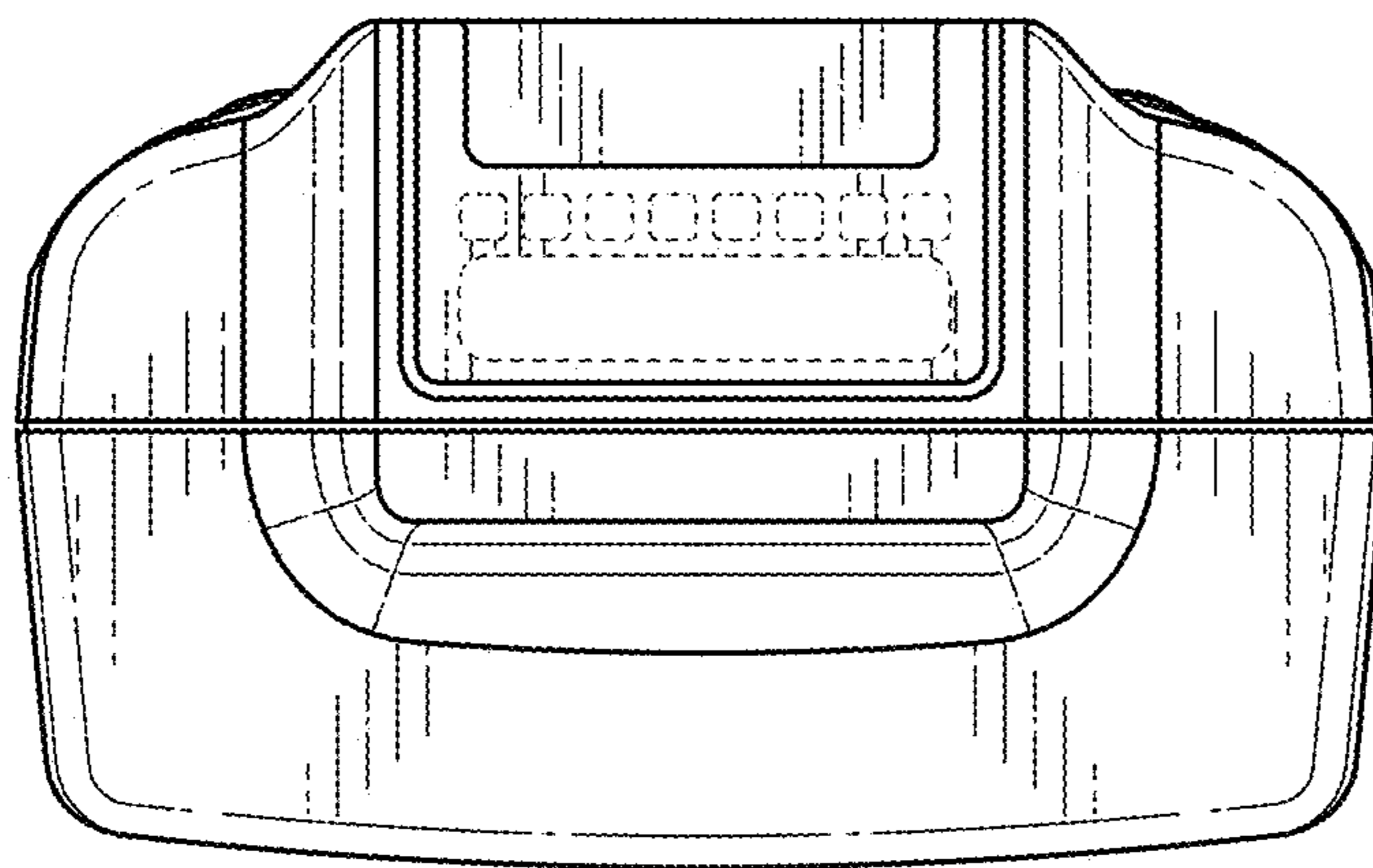


FIG. 24

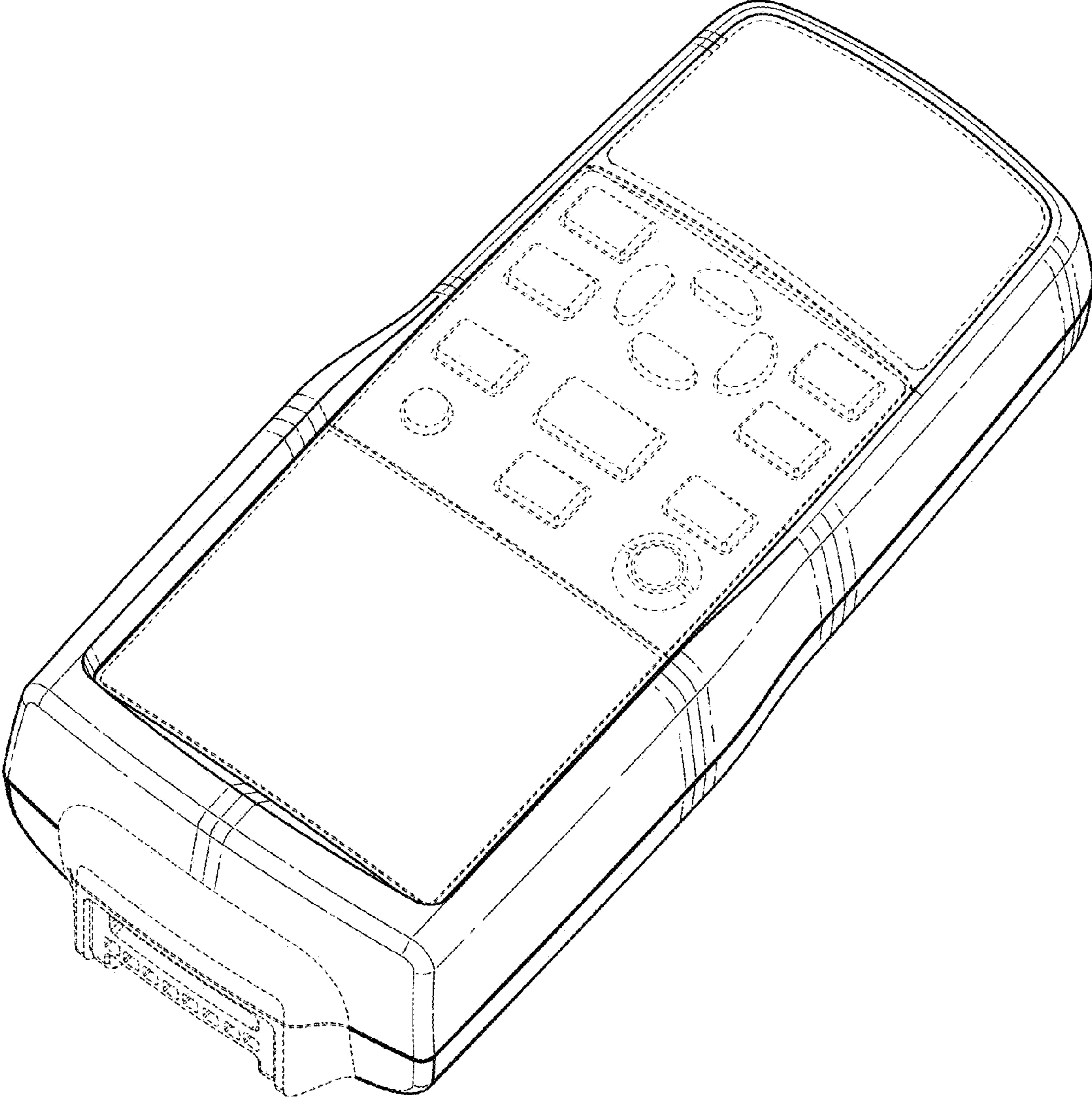


FIG. 25

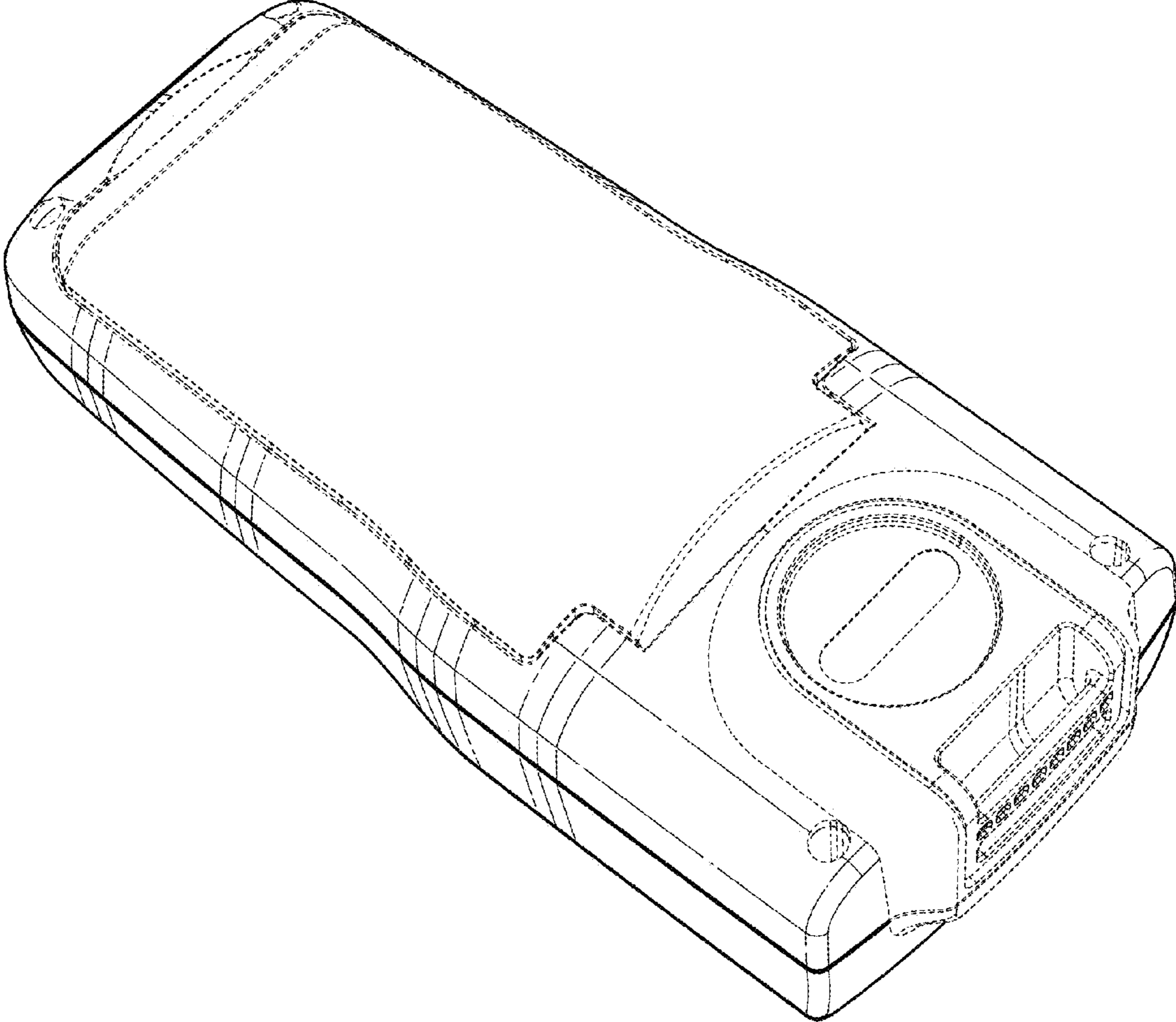


FIG. 26

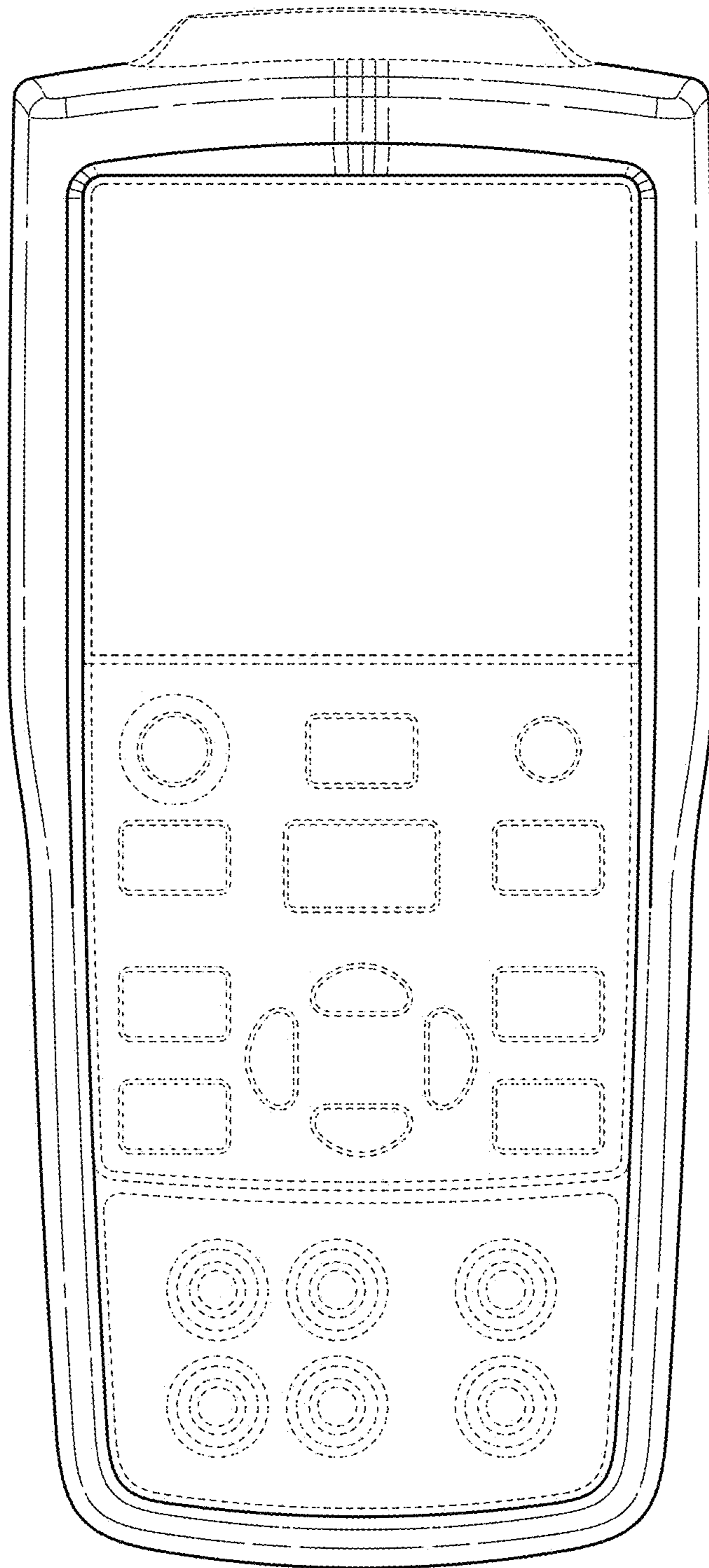


FIG. 27

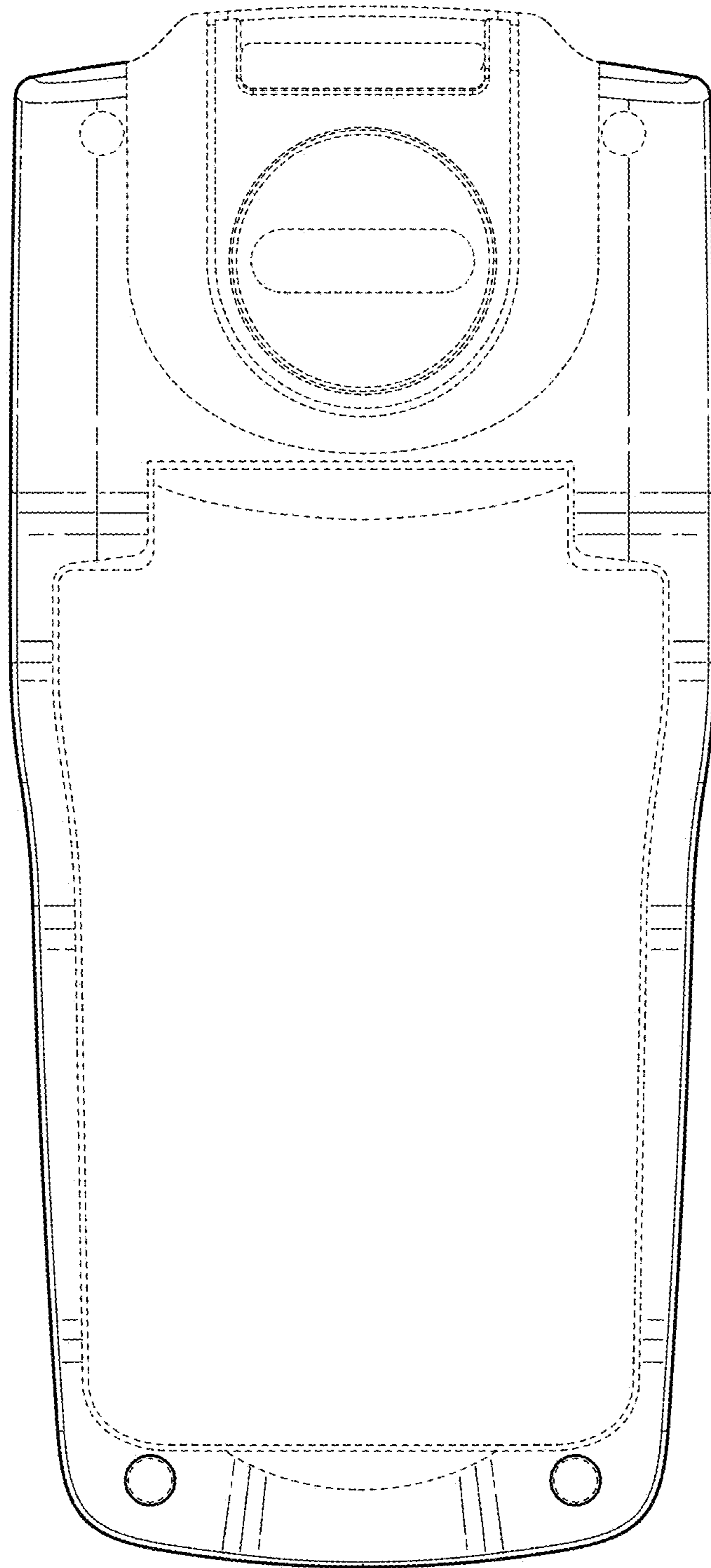


FIG. 28

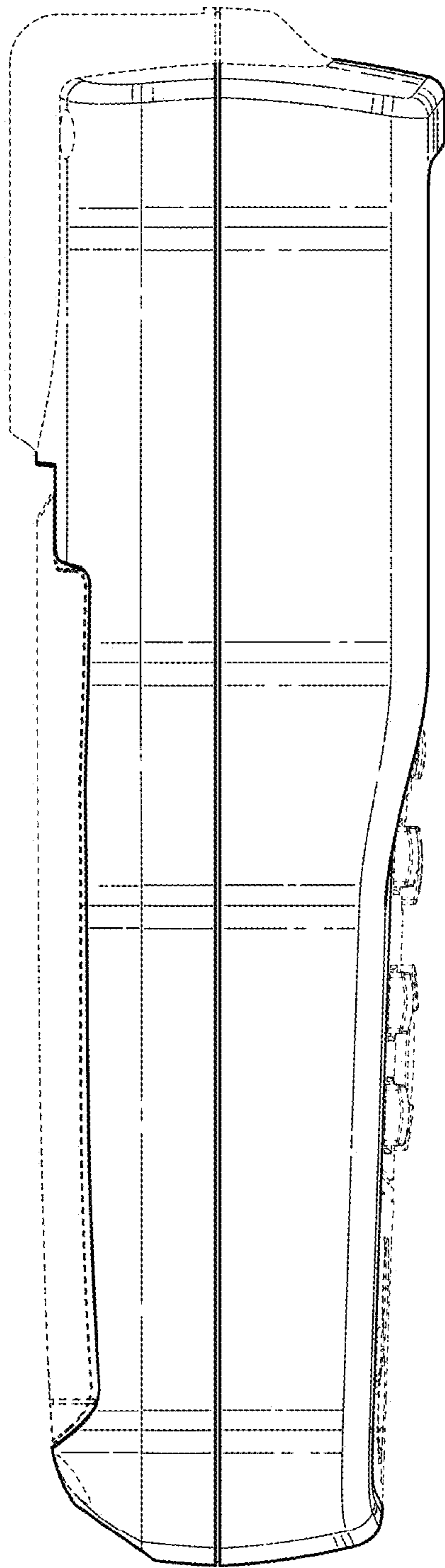


FIG. 29

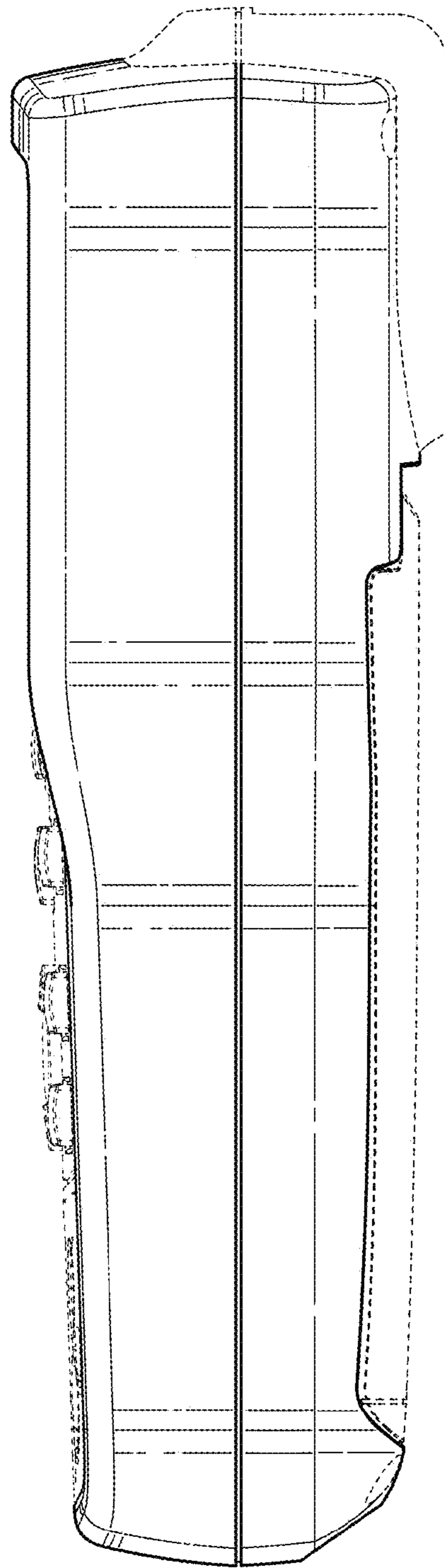


FIG. 30

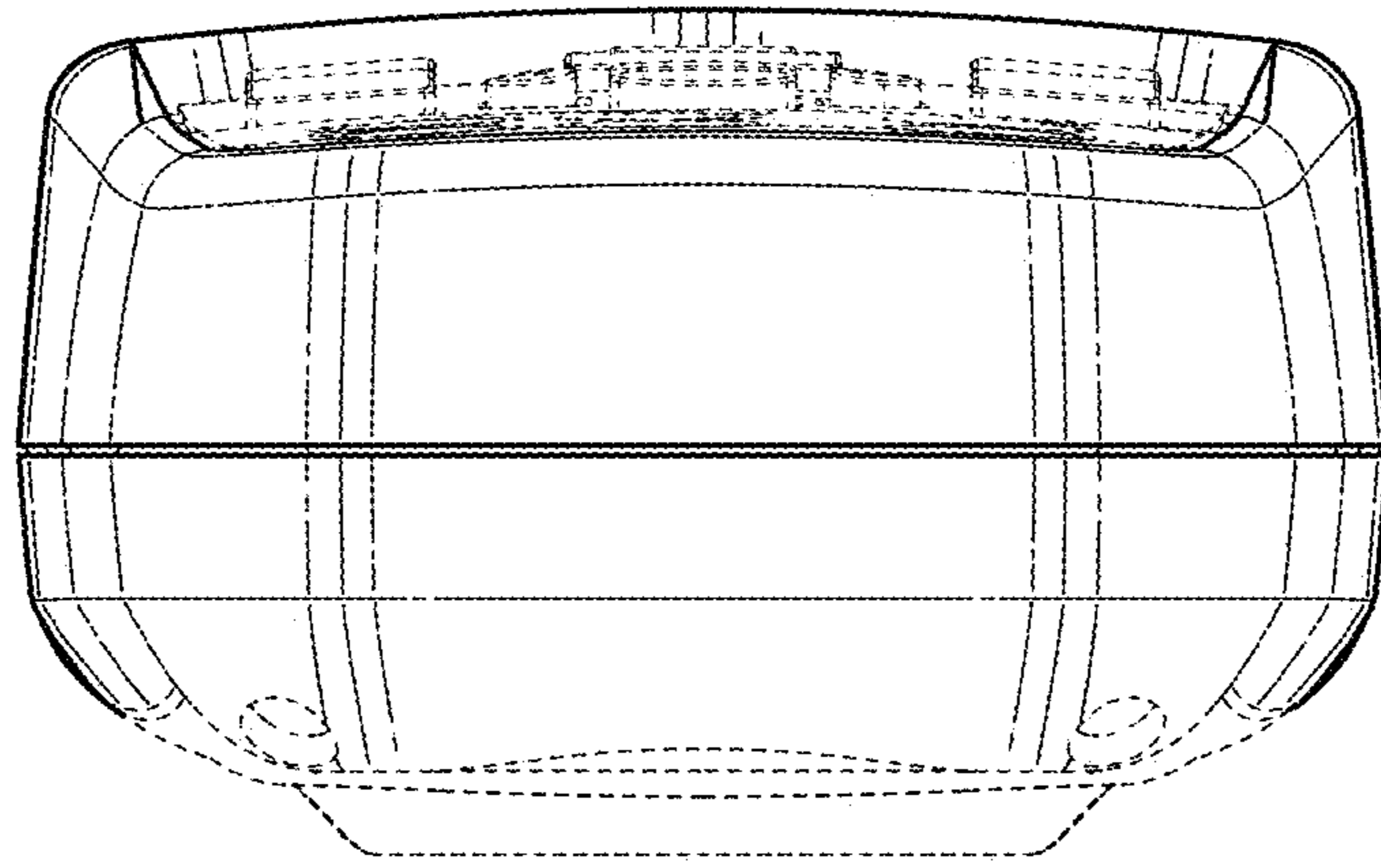


FIG. 31

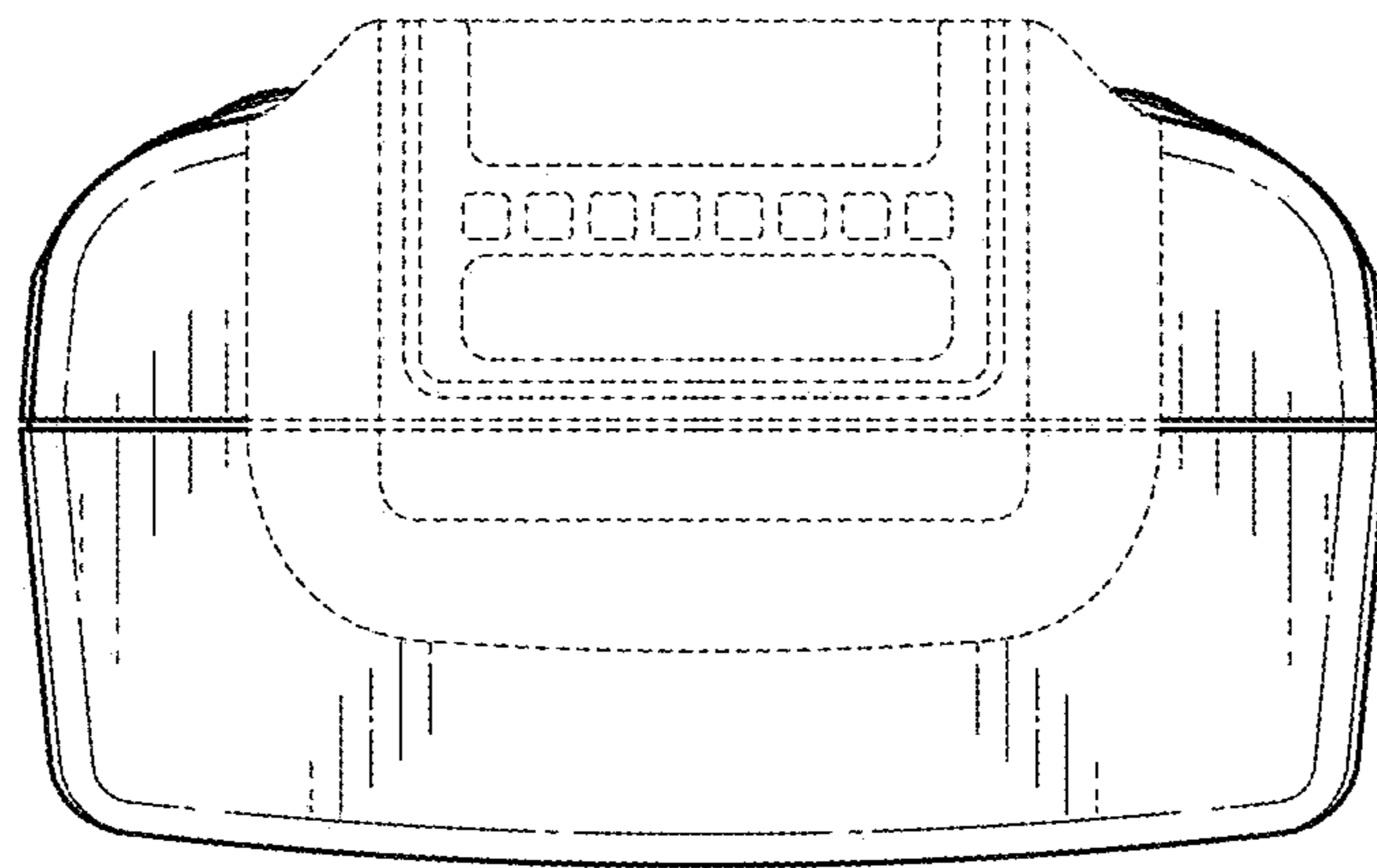


FIG. 32