



US00D720241S

(12) **United States Design Patent**  
**Logue**

(10) **Patent No.:** **US D720,241 S**

(45) **Date of Patent:** **\*\* Dec. 30, 2014**

(54) **MEASURING CAP**

(75) Inventor: **Anthony Thomas Logue**, Yowie Bay (AU)

(73) Assignee: **Logue and Co. Pty Ltd.**, Yowie Bay (AU)

(\*\*) Term: **14 Years**

(21) Appl. No.: **29/431,515**

(22) Filed: **Sep. 7, 2012**

(30) **Foreign Application Priority Data**

Mar. 12, 2012 (AU) ..... 11308/2012

(51) **LOC (10) Cl.** ..... **10-04**

(52) **U.S. Cl.**  
USPC ..... **D10/46.2**

(58) **Field of Classification Search**  
USPC ..... D10/46.2, 46, 46.3, 52, 60, 74, 103, 66;  
D7/368, 665, 387, 397, 510, 511,  
D7/300.1, 301, 302, 303, 316, 304, 305,  
D7/312, 313, 314, 315, 317, 392, 392.1,  
D7/300; D24/224; D23/260; D9/440, 447,  
D9/449, 452-454; 220/665; 222/566, 23,  
222/158, 205, 207, 442, 568, 562, 569;  
141/381; 422/908, 910, 425, 912, 527,  
422/556, 500, 547; 215/28, 17, 277, 316,  
215/318, 328, 18, 21, 25, 29, 44, 45, 54,  
215/214, 218, 223, 272, 283, 314, 320, 329,  
215/355, 356, 357, 382, 390, 228, 386, 41,  
215/901, 297

See application file for complete search history.

(56) **References Cited**

**U.S. PATENT DOCUMENTS**

812,804 A \* 2/1906 Bennett ..... 215/29  
814,503 A \* 3/1906 Andresen et al. .... 215/6

910,093 A \* 1/1909 Standard ..... 215/21  
1,749,253 A \* 3/1930 Levy ..... 222/109  
2,105,051 A \* 1/1938 Myers ..... 222/153.05  
2,108,692 A \* 2/1938 Pieck ..... 141/381  
2,479,007 A \* 8/1949 Gruben ..... 73/429  
2,559,168 A \* 7/1951 Numbers ..... 141/381  
2,762,526 A \* 9/1956 Gilmour ..... 141/95  
2,839,928 A \* 6/1958 Fohrman ..... 73/429  
3,788,528 A \* 1/1974 Ogle ..... 222/209  
3,828,961 A \* 8/1974 Lewis ..... 215/223  
D246,511 S \* 11/1977 Libit ..... D9/452  
4,135,404 A \* 1/1979 Butler, Jr. .... 73/426  
4,269,319 A \* 5/1981 Rubens ..... 215/228  
4,342,408 A \* 8/1982 Boring et al. .... 222/566  
D301,007 S \* 5/1989 Laski ..... D7/387  
4,911,314 A \* 3/1990 Schneider ..... 215/228  
5,108,016 A \* 4/1992 Waring ..... 222/468  
D355,119 S \* 2/1995 Zimmermann et al. .... D9/440  
5,819,994 A \* 10/1998 Leipold ..... 222/541.9  
5,881,894 A \* 3/1999 Gargano ..... 215/228  
5,944,208 A \* 8/1999 Gale ..... 215/296  
D453,572 S \* 2/2002 Livecchi ..... D24/224  
D578,390 S \* 10/2008 Green ..... D9/440  
D647,210 S \* 10/2011 Wilkinson ..... D24/224

(Continued)

*Primary Examiner* — Ian Simmons

*Assistant Examiner* — Shannon Morgan

(74) *Attorney, Agent, or Firm* — Sughrue Mion, PLLC

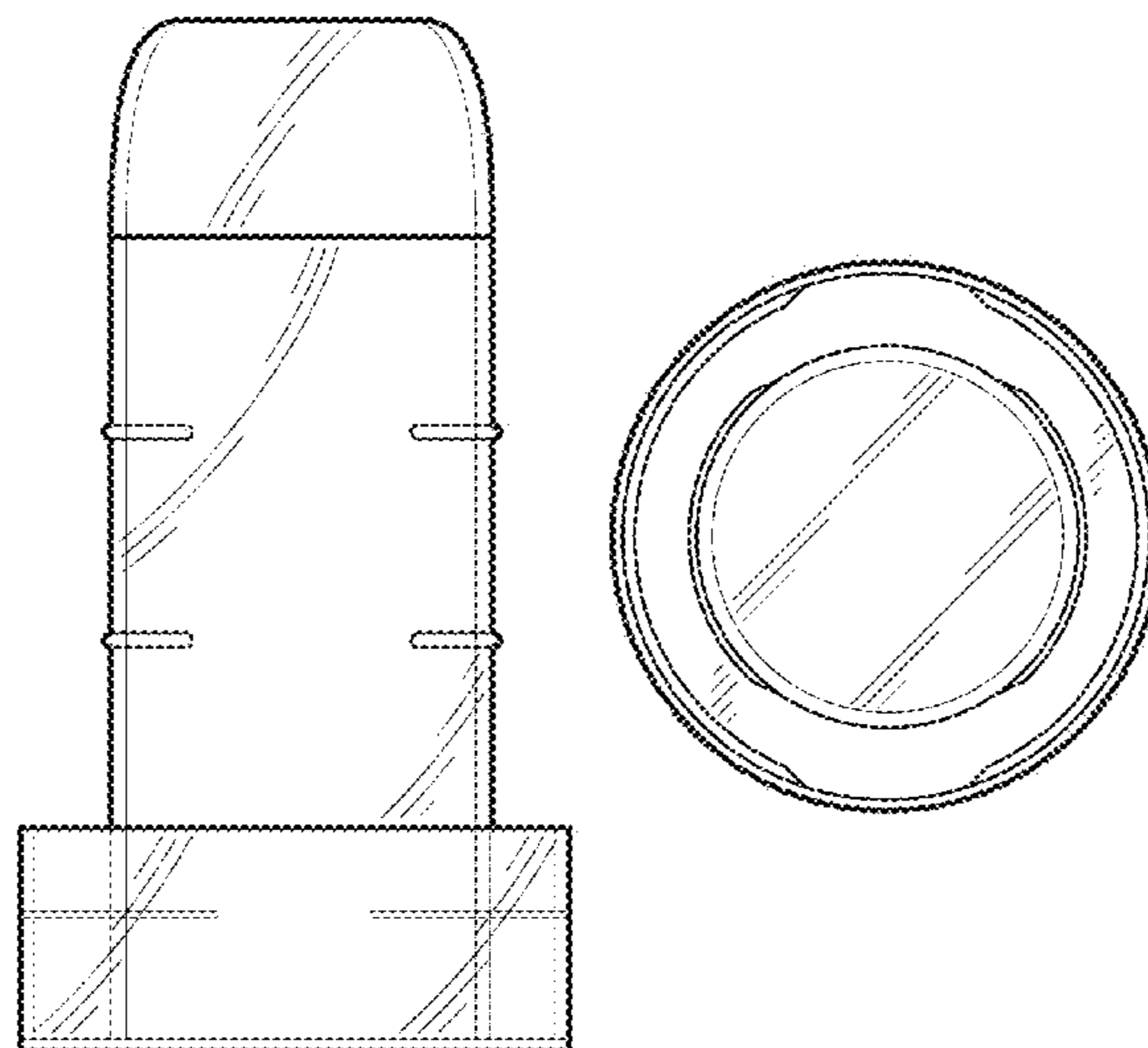
(57) **CLAIM**

The ornamental design for a measuring cap, as shown and described.

**DESCRIPTION**

FIG. 1 is a left side elevational view of a measuring cap showing my new design;  
FIG. 2 is a right side elevational view thereof;  
FIG. 3 is a front elevational view thereof;  
FIG. 4 is a rear elevational view thereof;  
FIG. 5 is a top plan view thereof; and,  
FIG. 6 is bottom plan view thereof.

**1 Claim, 2 Drawing Sheets**



# US D720,241 S

Page 2

---

(56)

## References Cited

### U.S. PATENT DOCUMENTS

D660,149 S *	5/2012	Grace .....	D9/447	8,499,968 B2 *	8/2013	Aviram .....	222/1
D670,578 S *	11/2012	Perry et al. ....	D10/46.2	D690,596 S *	10/2013	Logue .....	D9/447
D678,767 S *	3/2013	Haley .....	D9/440	2003/0196985 A1 *	10/2003	Wheeler .....	215/277
				2010/0206836 A1 *	8/2010	Koshidaka et al. ....	215/355
				2013/0233821 A1 *	9/2013	Golden .....	215/228

\* cited by examiner

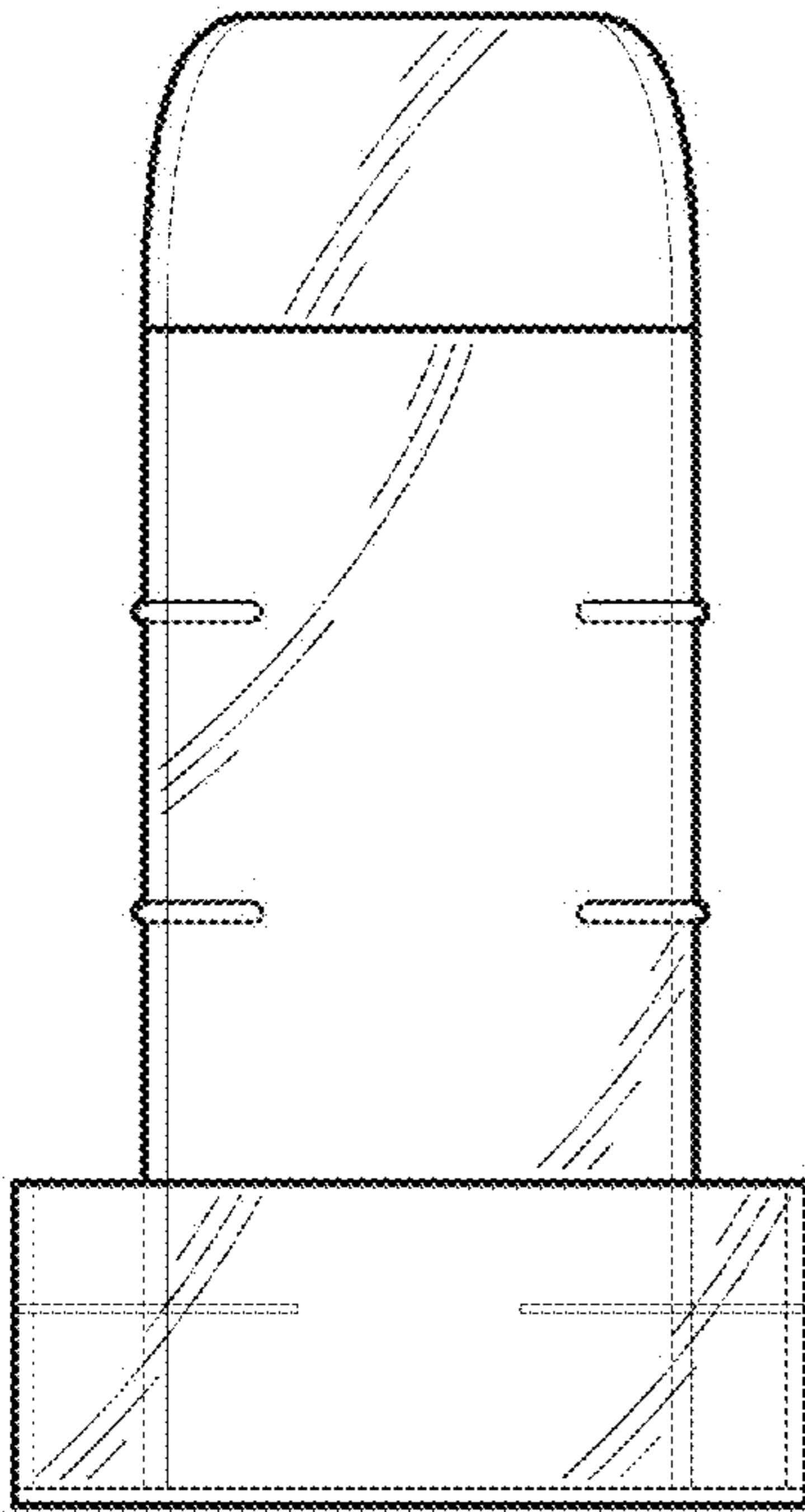


FIG. 1

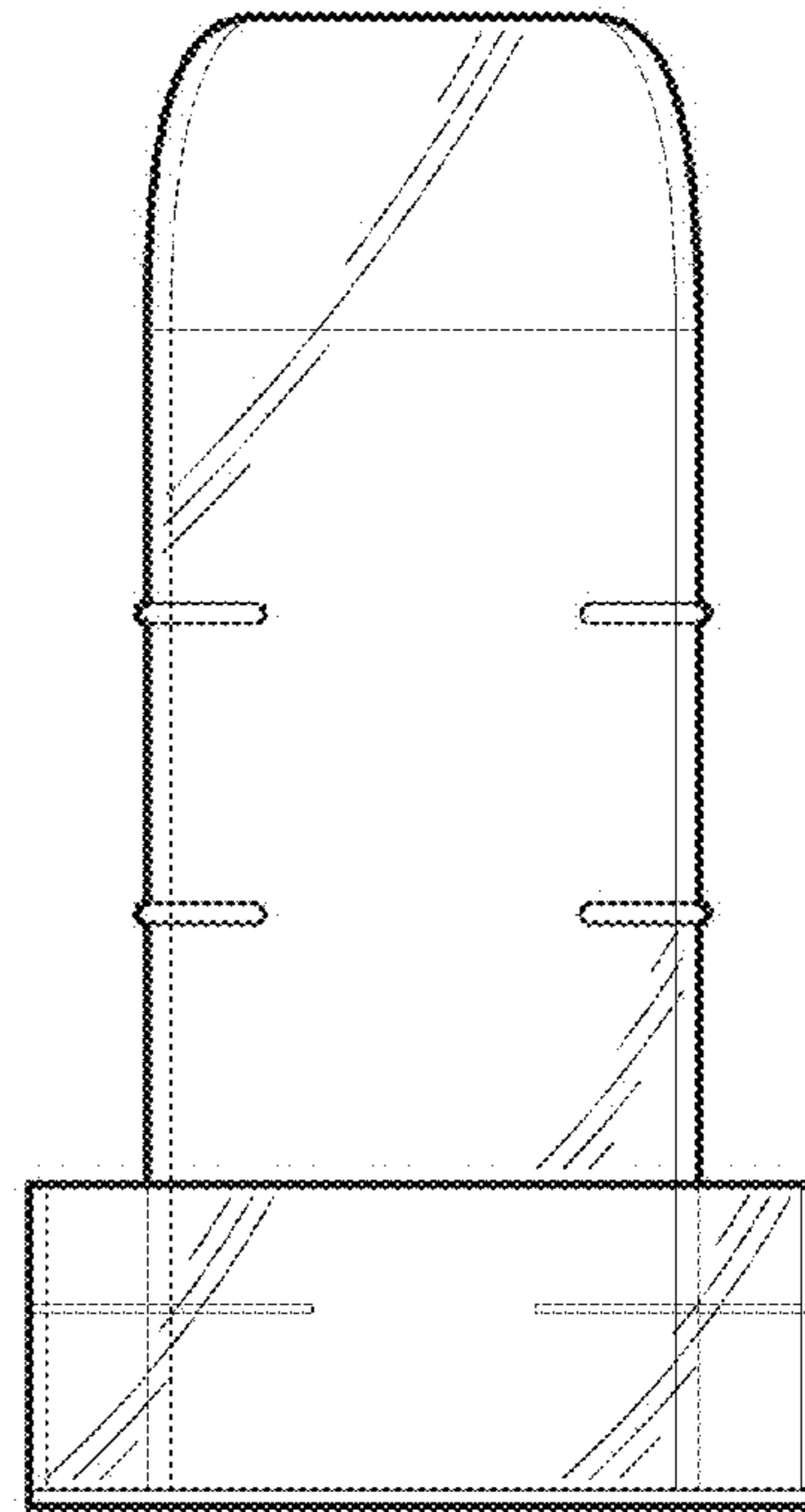


FIG. 2

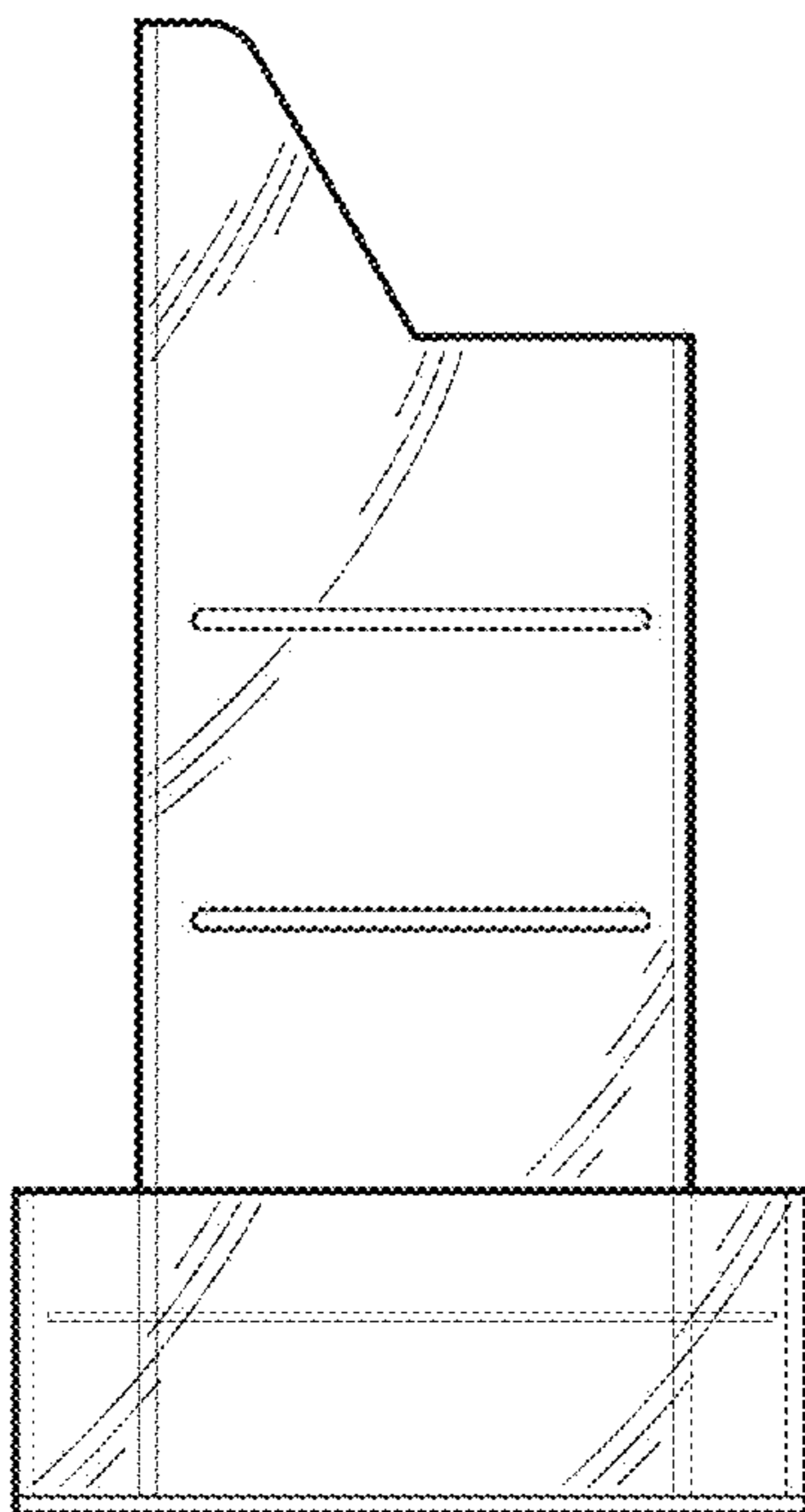


FIG. 3

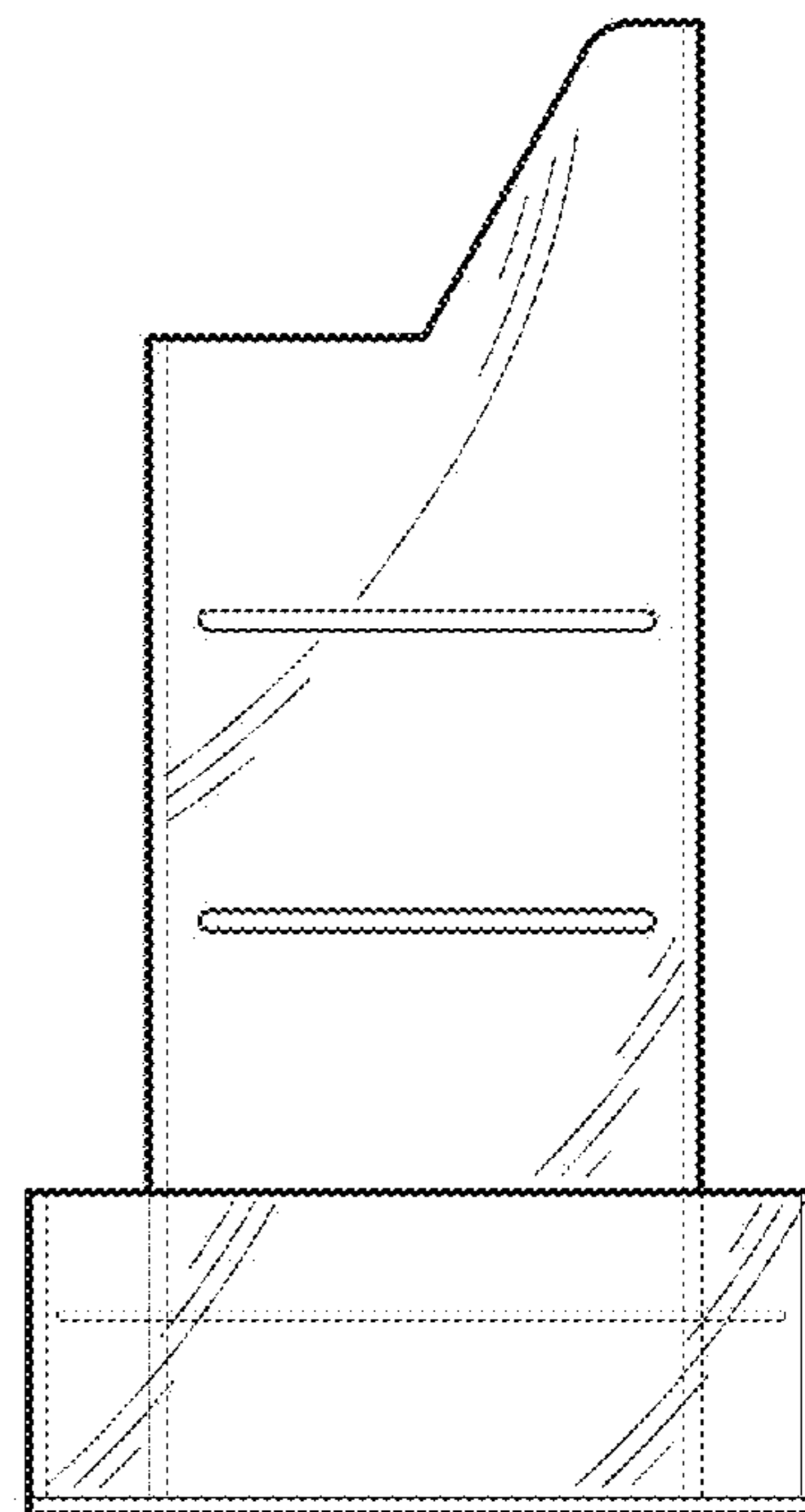


FIG. 4

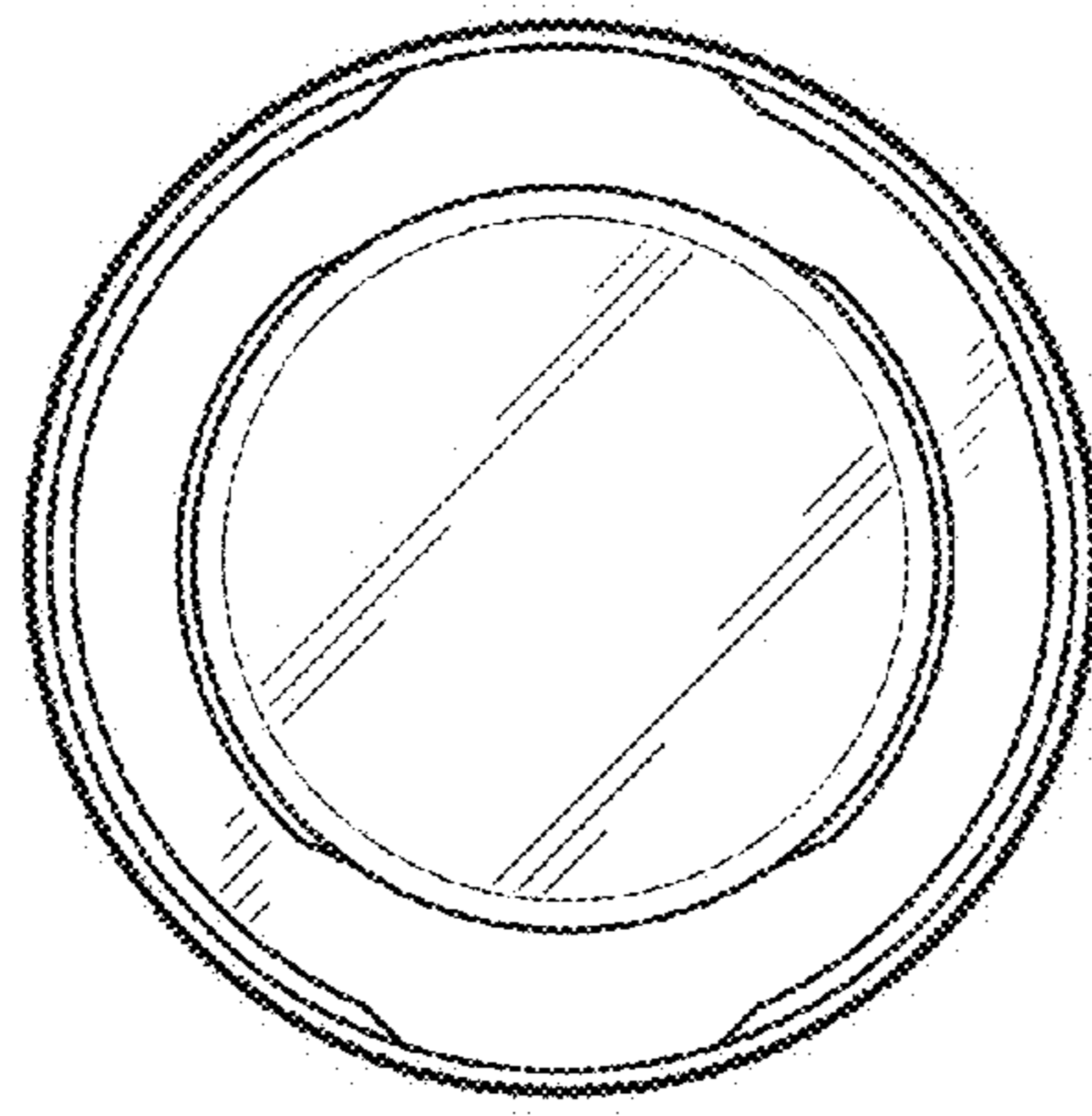


FIG. 5

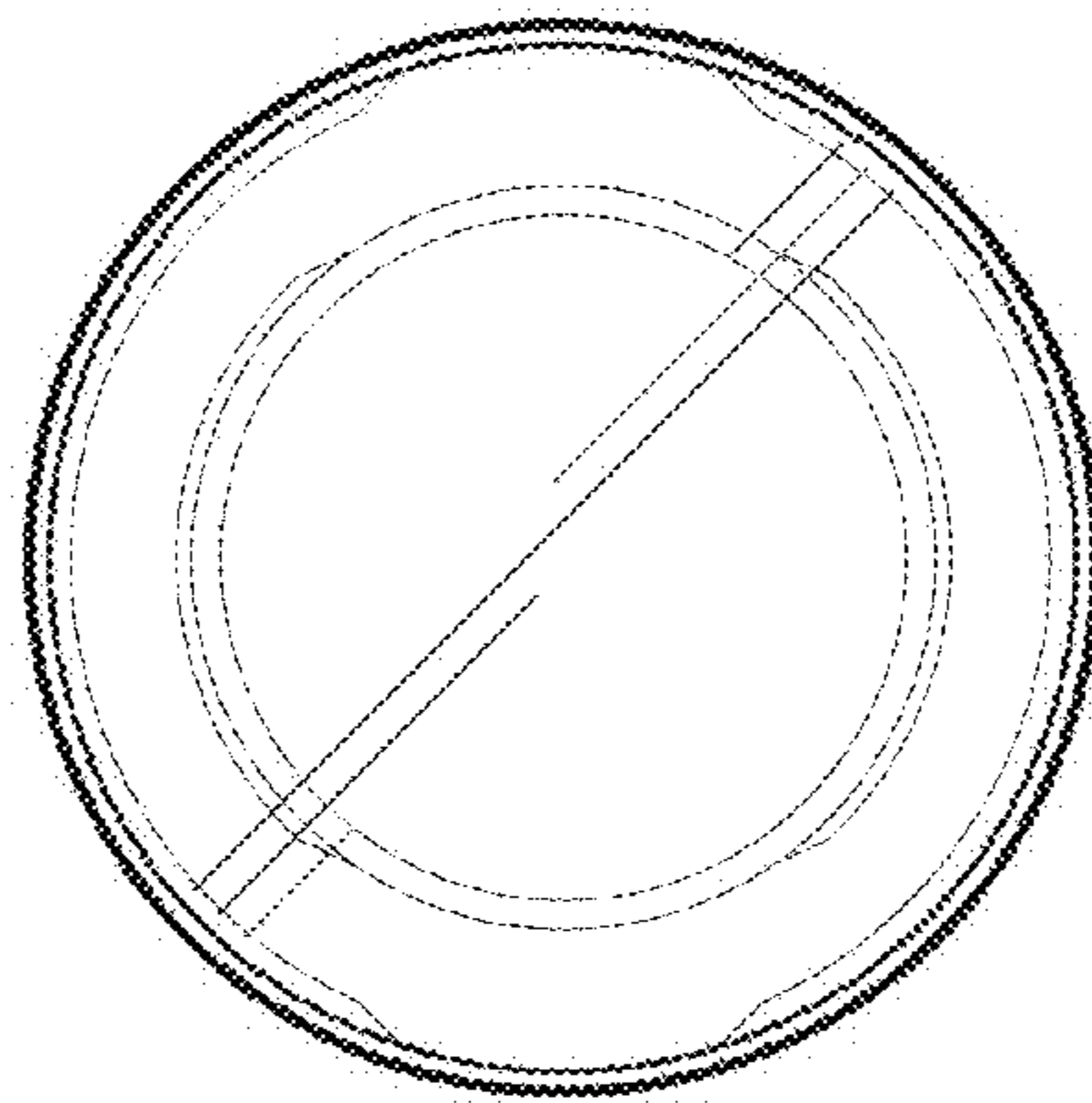


FIG. 6