



US00D720237S

(12) **United States Design Patent**  
**Maglio, Jr.**

(10) **Patent No.:** **US D720,237 S**  
(45) **Date of Patent:** **\*\* Dec. 30, 2014**

(54) **WATERMELON POUCH**

(71) Applicant: **The Fresh Group, Ltd.**, Glendale, WI (US)

(72) Inventor: **Sam J. Maglio, Jr.**, Mequon, WI (US)

(73) Assignee: **The Fresh Group, Ltd**, Glendale, WI (US)

(\*\*) Term: **14 Years**

(21) Appl. No.: **29/479,954**

(22) Filed: **Jan. 22, 2014**

(51) **LOC (10) Cl.** ..... **09-05**

(52) **U.S. Cl.**  
USPC ..... **D9/704**

(58) **Field of Classification Search**

USPC ..... D9/702-714, 499, 442-443, 434-435, D9/415; D24/118, 121, 207; 426/106; 383/61.1, 42, 119-120, 106-108, 103, 383/127, 114, 907; D3/203.1, 303, 203.2; D27/183, 185, 189; 222/92, 107, 215; 220/495.03; 206/406, 811, 484, 260, 206/527, 248; 428/35.2

See application file for complete search history.

(56) **References Cited**

U.S. PATENT DOCUMENTS

3,502,258	A	3/1970	Kugler et al	
D235,934	S	7/1975	Chernoff et al.	
4,769,126	A	9/1988	Roen et al.	
D310,563	S *	9/1990	Greengrass et al. ....	D3/203.1
D347,166	S *	5/1994	Ross et al. ....	D9/603
D407,970	S *	4/1999	Planchard .....	D9/703
5,947,884	A	9/1999	Sasaki et al.	
D467,168	S *	12/2002	Furuta .....	D9/703
7,014,363	B2	3/2006	Hanson	
D565,964	S *	4/2008	Feenstra .....	D9/704
D578,014	S *	10/2008	Friedland et al. ....	D9/707
D580,779	S *	11/2008	Hartwell et al. ....	D9/705
D583,679	S *	12/2008	Friedland et al. ....	D9/707

7,942,578	B2	5/2011	Andersen	
D646,182	S *	10/2011	Clark et al. ....	D9/710
D656,841	S *	4/2012	Echavarria .....	D9/709
D684,868	S *	6/2013	Kessler et al. ....	D9/707
D699,589	S *	2/2014	Wang .....	D9/703
2002/0141666	A1	10/2002	Kuge	
2002/0186900	A1	12/2002	Horne	

\* cited by examiner

*Primary Examiner* — Caron D Veynar

*Assistant Examiner* — Abraham Bahta

(74) *Attorney, Agent, or Firm* — Boyle Fredrickson, S.C.

(57) **CLAIM**

The ornamental design for a watermelon pouch, substantially as shown and described.

**DESCRIPTION**

FIG. 1 is a front elevation view of a watermelon pouch according to a first embodiment of the present invention wherein the pouch is empty;

FIG. 2 is a front elevation view of a watermelon pouch according to a second embodiment of the present invention wherein the pouch is empty;

FIG. 3 is a front elevation view of the watermelon pouch of FIG. 2 wherein the pouch contains a watermelon, and the back elevation view being identical;

FIG. 4 is a left side elevation view that is normal to the view of the watermelon pouch as shown in FIG. 3, the right side elevation view being a mirror image thereof;

FIG. 5 is a bottom plan view of the watermelon pouch shown in FIG. 3;

FIG. 6A is a top plan view of the watermelon pouch shown in FIG. 3;

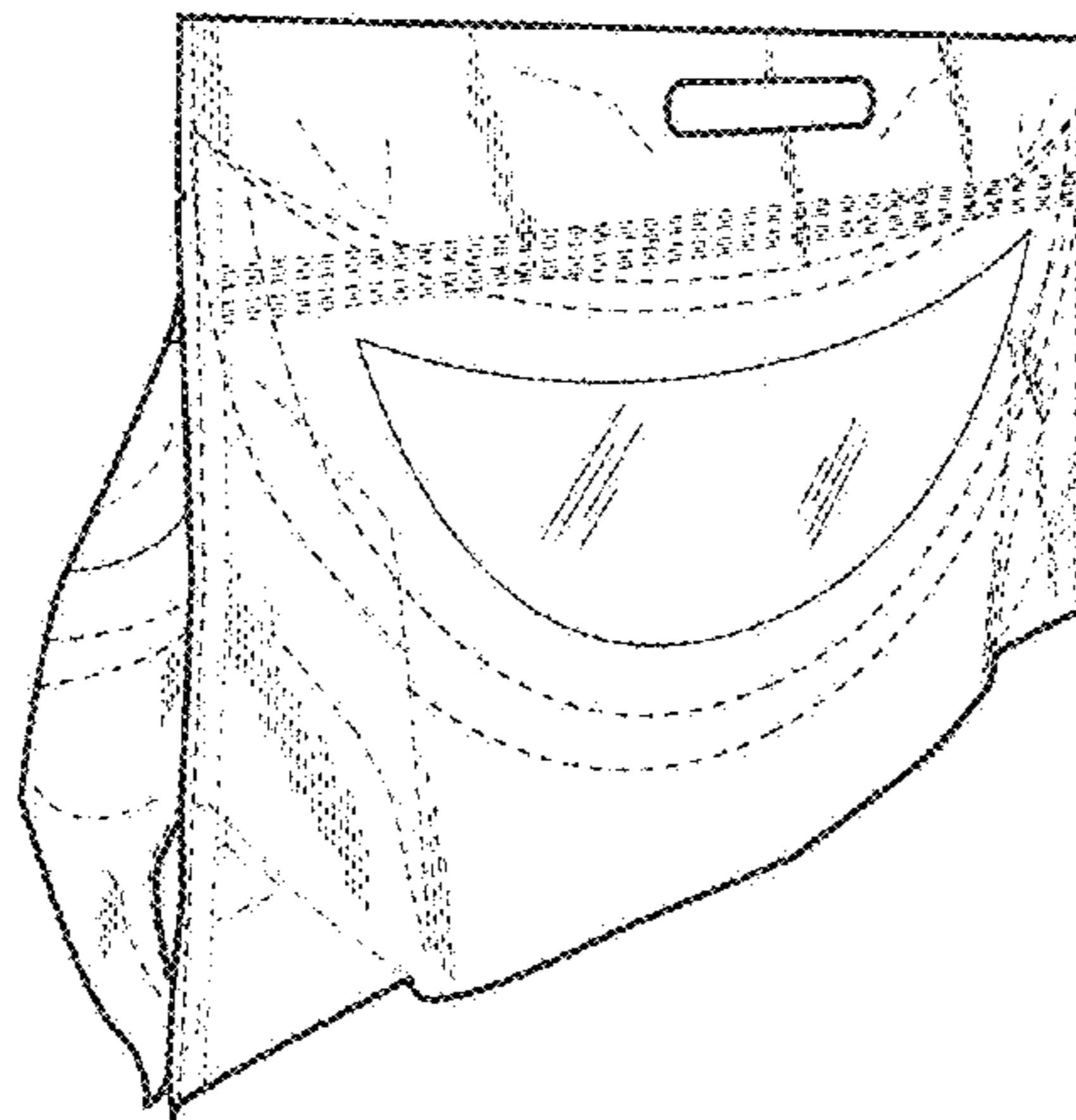
FIG. 6B is a top plan view of the watermelon pouch shown in FIG. 3 with the opening expanded;

FIG. 7 is a front perspective view of the watermelon pouch shown in FIG. 3; and,

FIG. 8 is a bottom perspective view of the watermelon pouch shown in FIG. 3.

The broken lines are for illustrative purposes and represent environmental structure and unclaimed portions of the invention and therefore form no part of the claimed design.

**1 Claim, 6 Drawing Sheets**



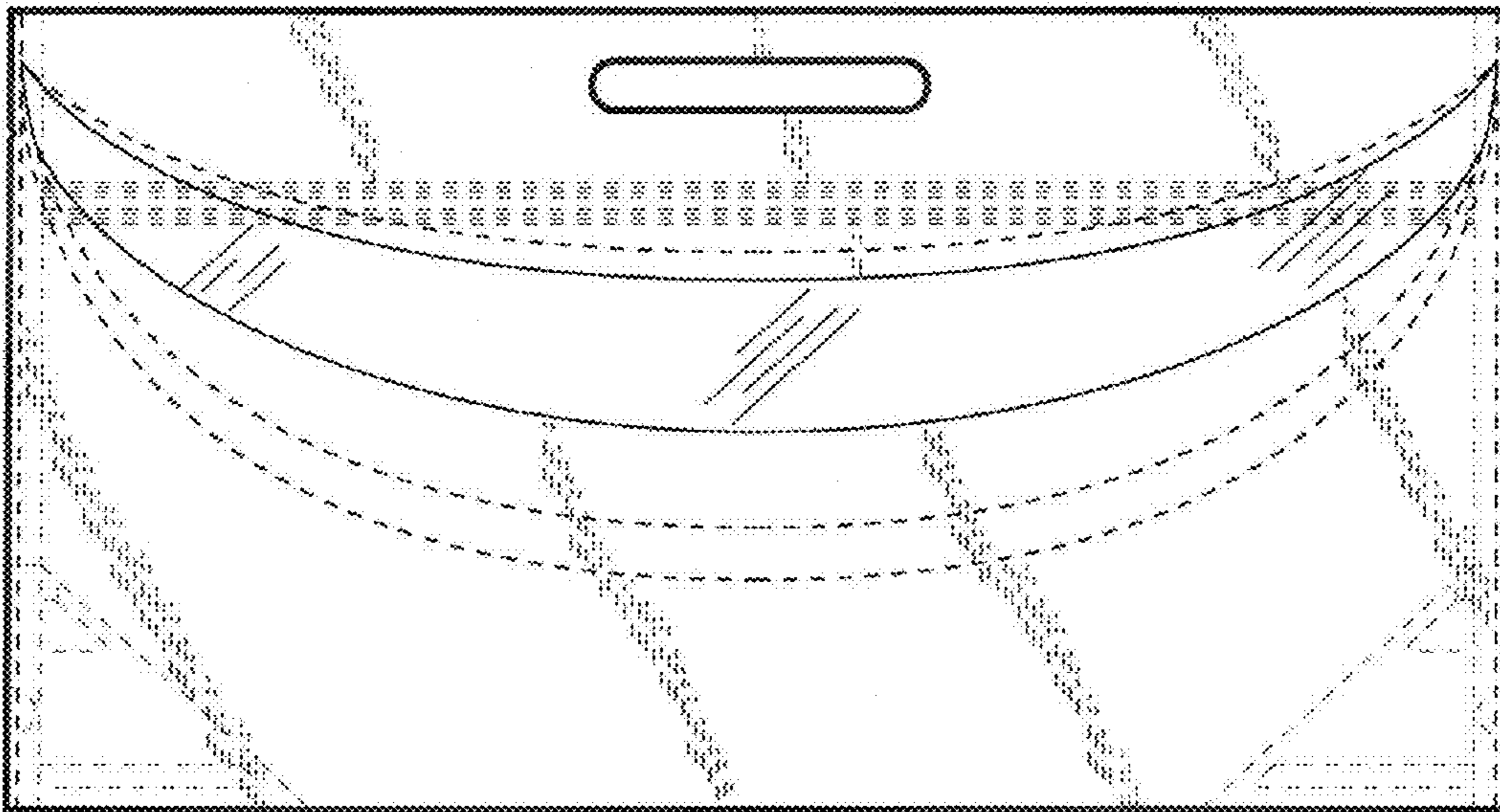


FIG. 1



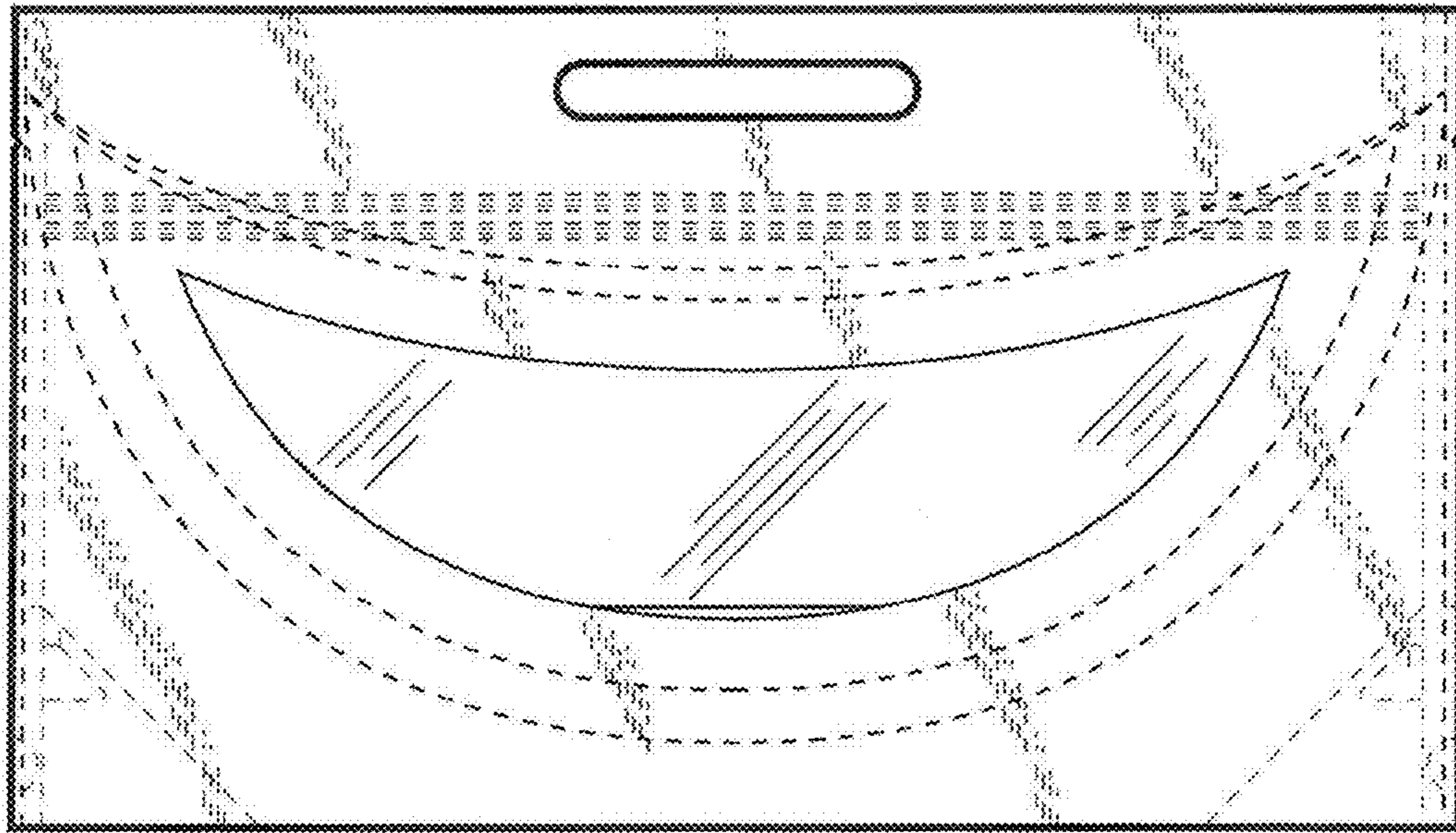


FIG. 2

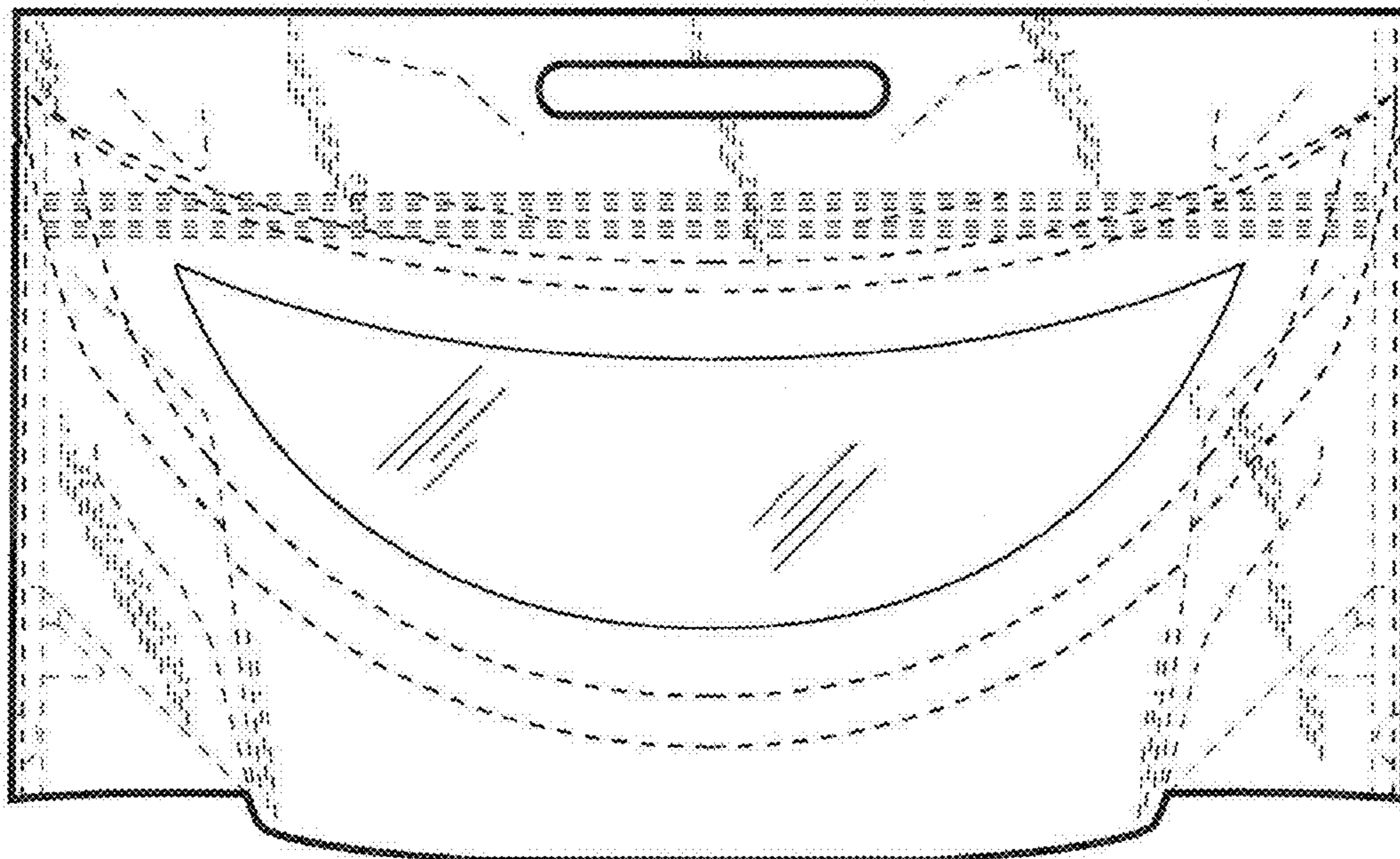


FIG. 3

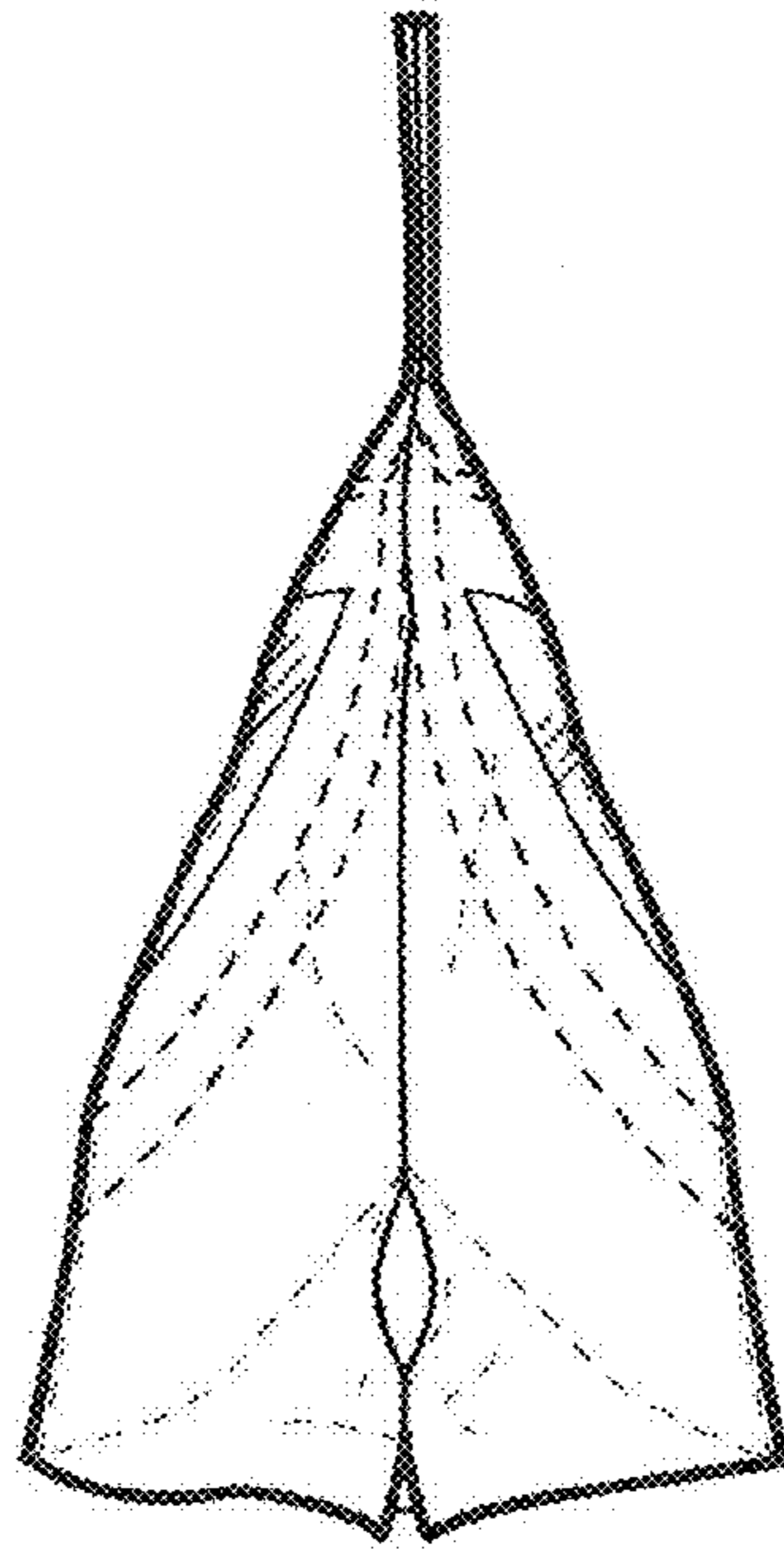


FIG. 4

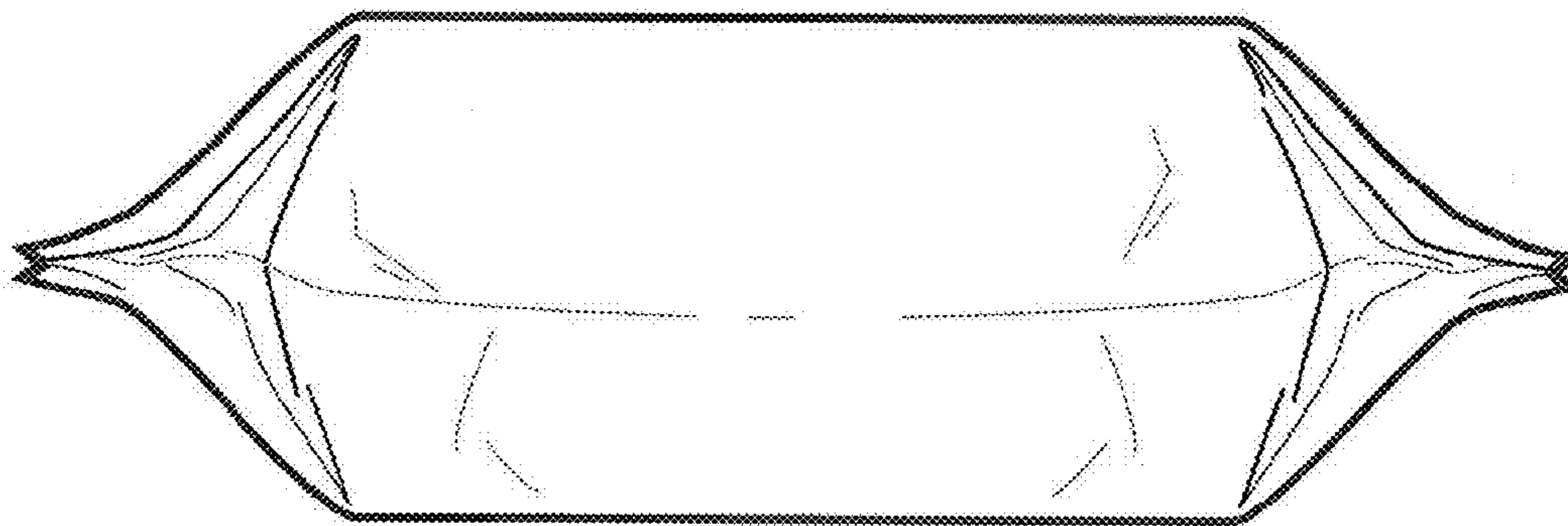


FIG. 5

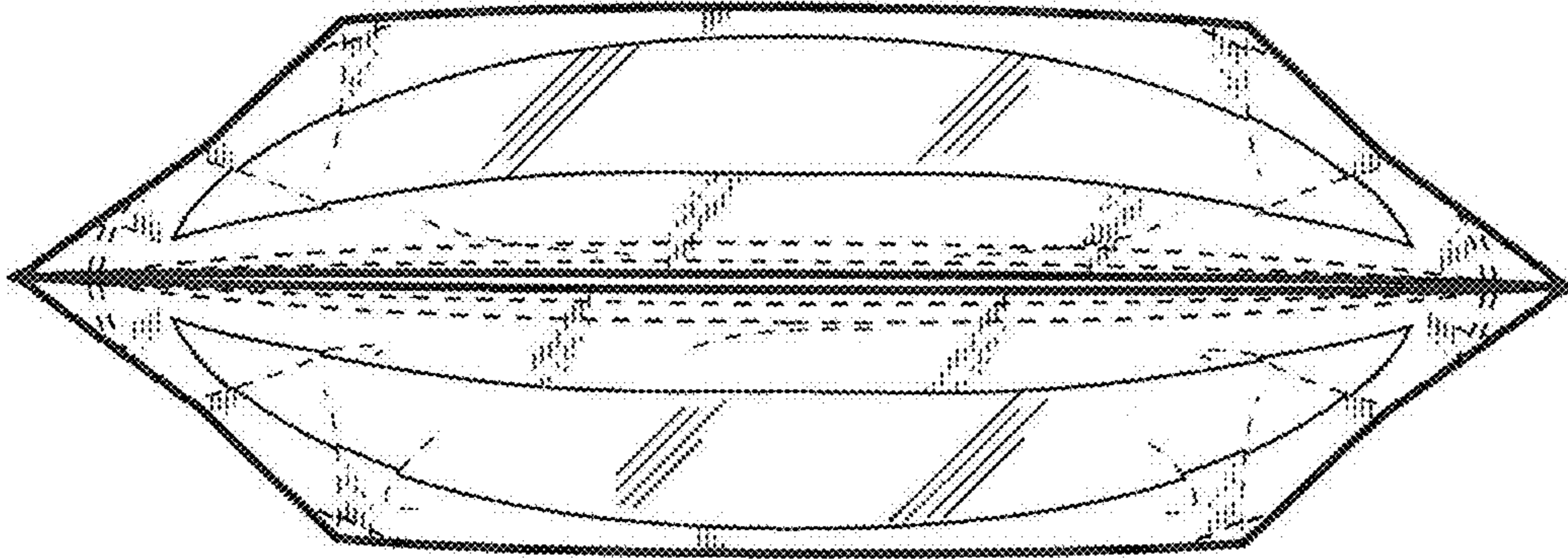


FIG. 6A

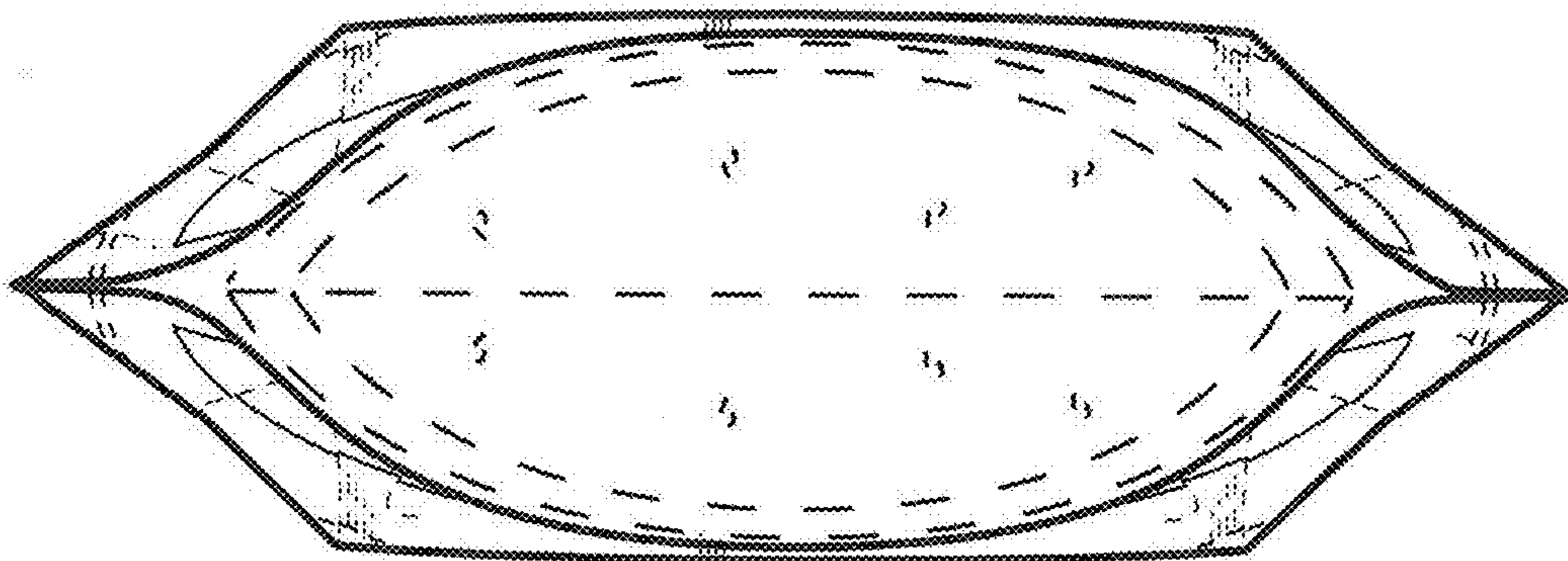


FIG. 6B



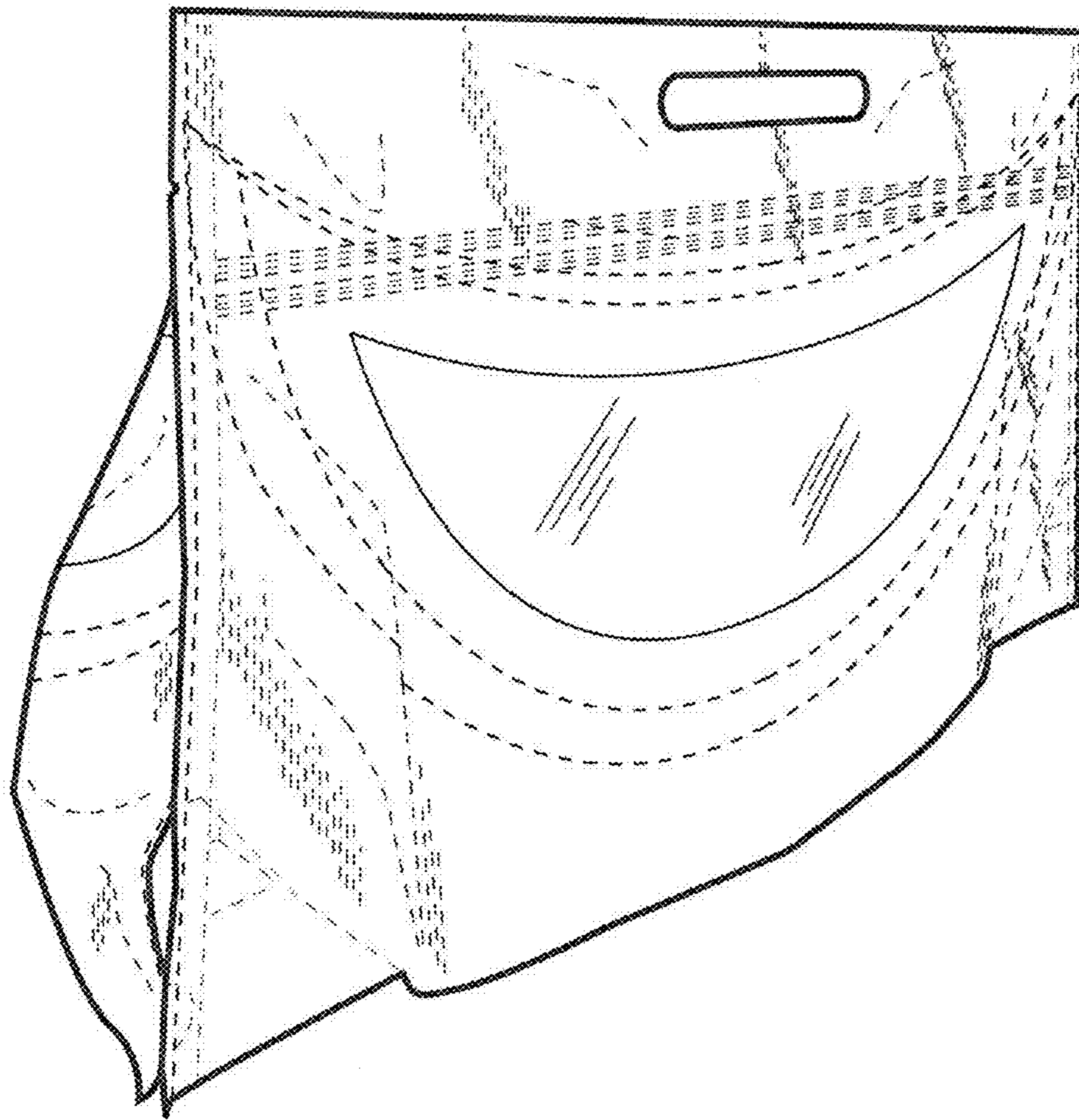


FIG. 7

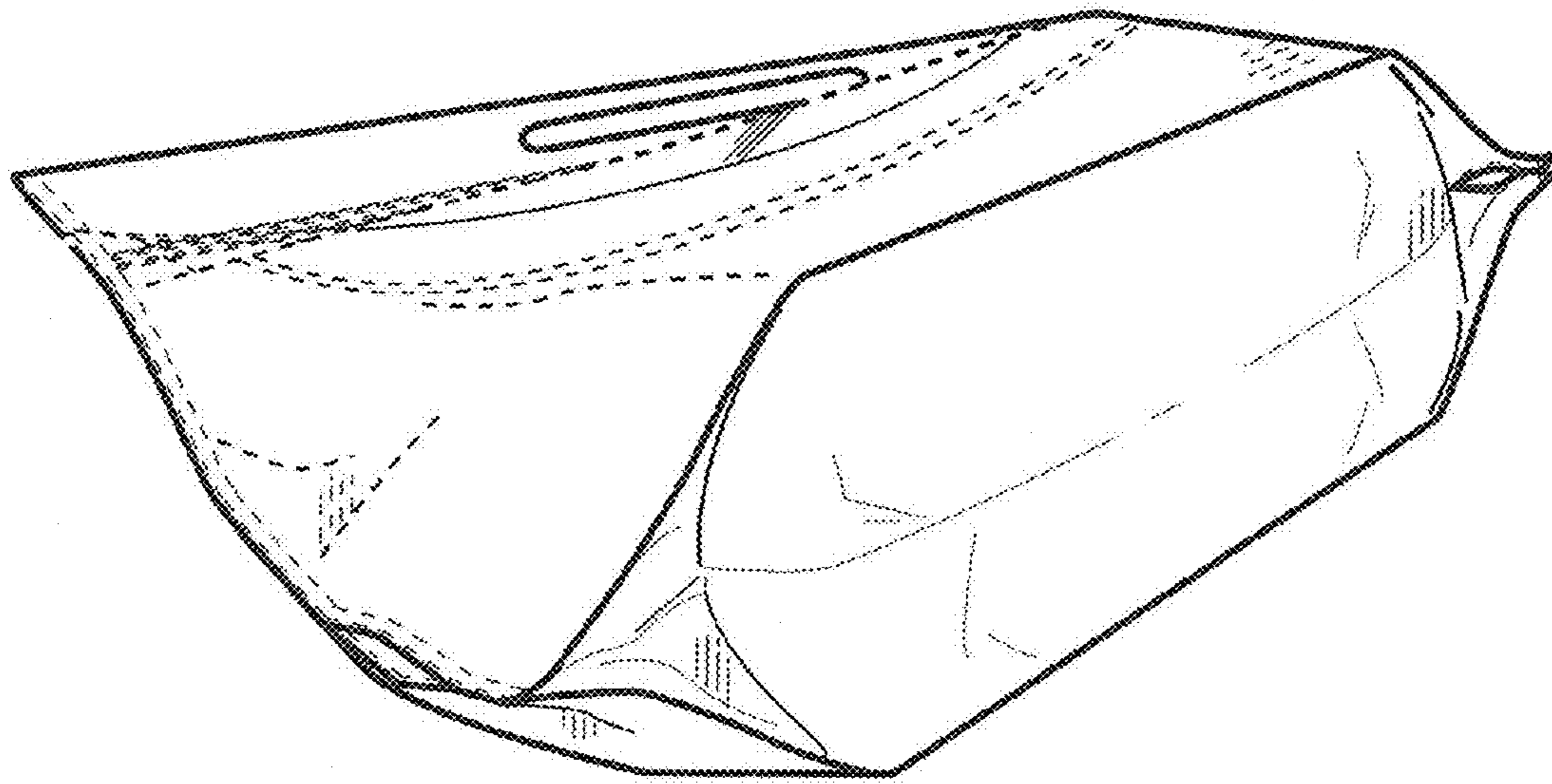


FIG. 8